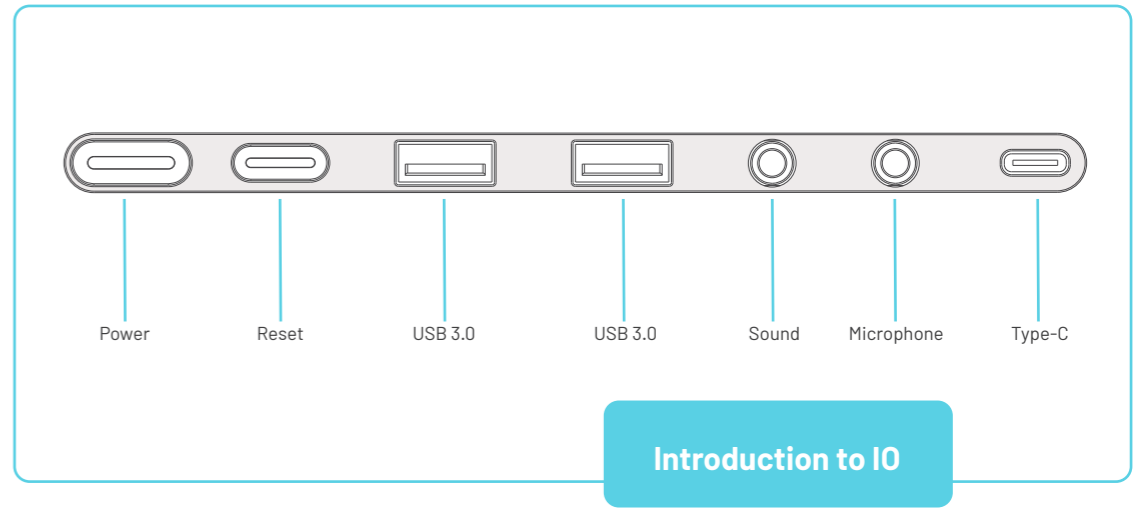


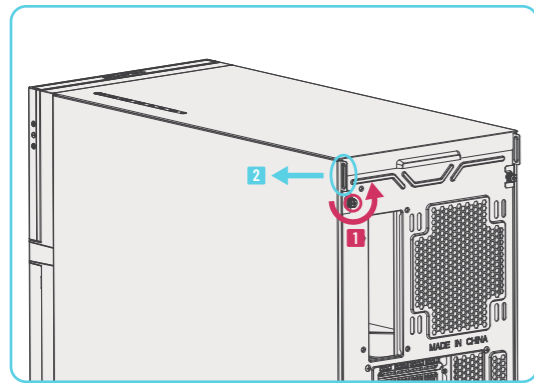
# VK02

## Installation Manual

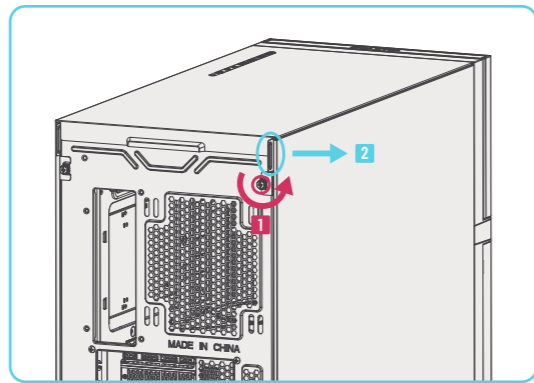
- List of Parts**
- 2x GPU Stand-off
  - 16x SSD Screw
  - 8x Fan screw
  - 8x Anti-vibration rings
  - 17x HDD Motherboard Screw
  - 16x SSD Stand-off
  - 1x Valkyrie V14F Fan
  - 5x Zipties
  - 6x PSU Screw
  - 1x MB Stand-off Removal Tool
  - 1x HDMI + USB A data cable
  - With VK02 LCD Version  
1x 10.1" touch screen



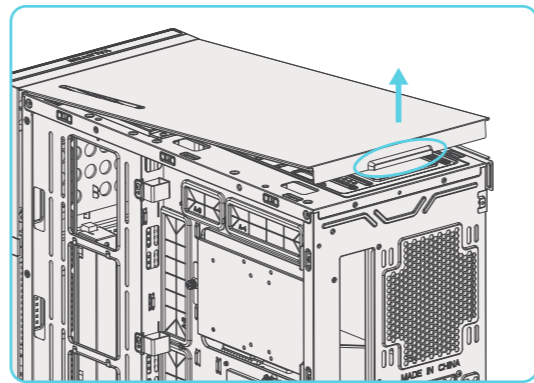
### 01 Removing and Installing



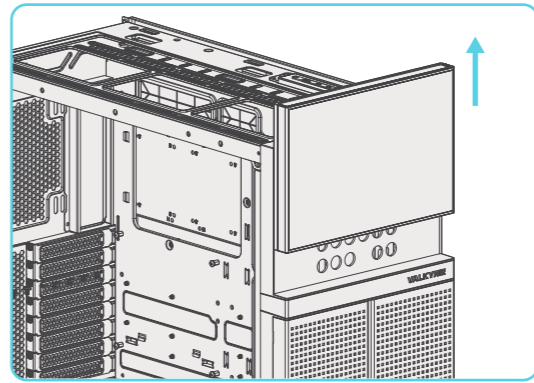
**Step 1:** Unscrew the screws on the rear side of the chassis  
**Step 2:** Pull the side panel outward



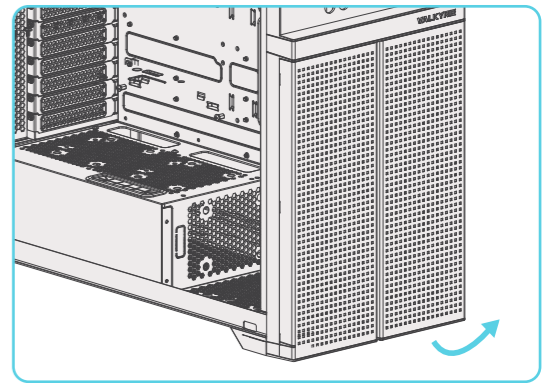
**Step 3:** Unscrew the screws on the rear side of the chassis  
**Step 4:** Pull the side panel outward



**Step 5:** Lift the top panel upwards

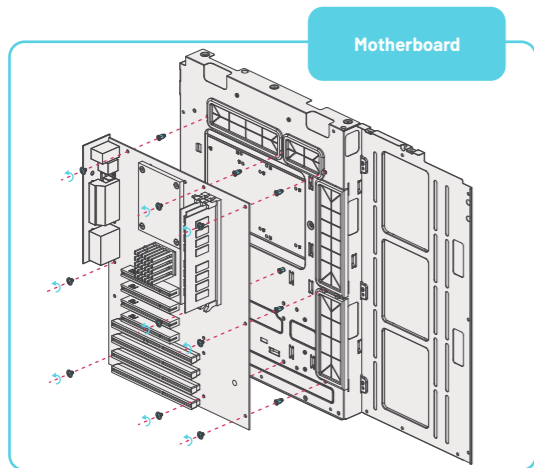


**Step 6:** Pull up to remove the screen or panel

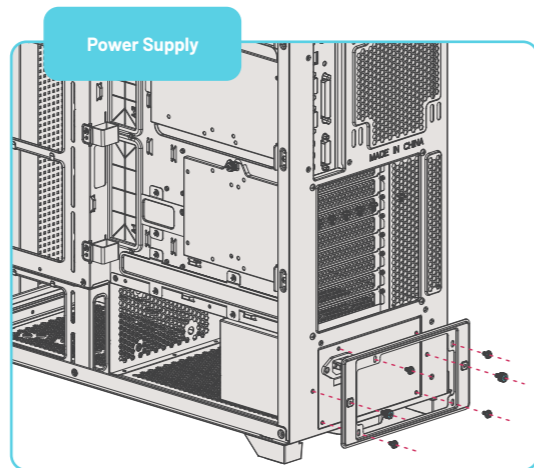


**Step 7:** Pull the front panel outward

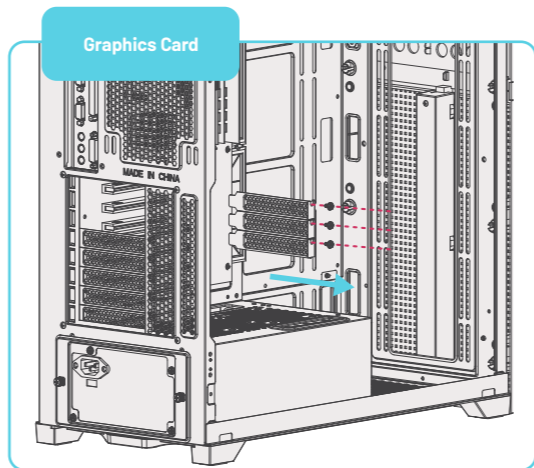
### 02 Hardware Installation



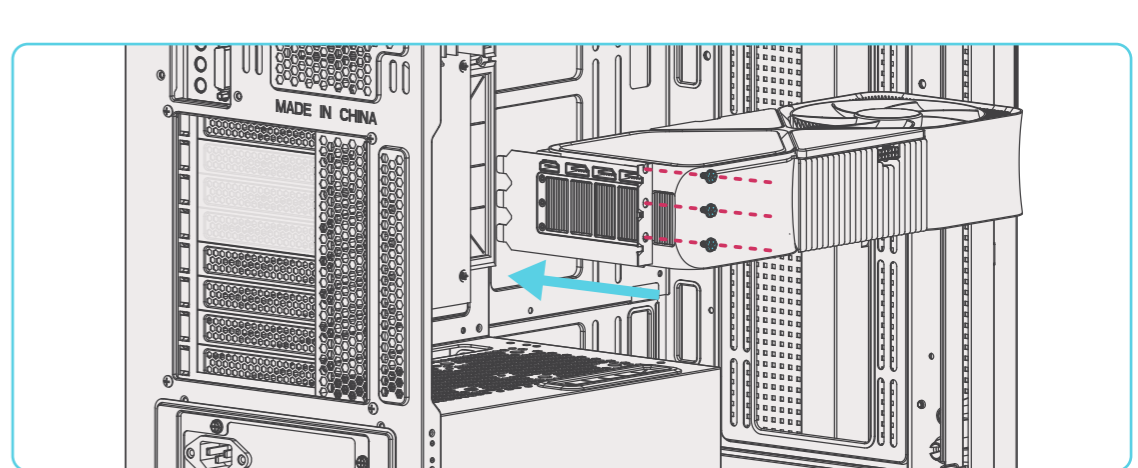
**Step 1:** Secure the motherboard with motherboard screws



**Step 2:** Secure the power supply using PSU screws

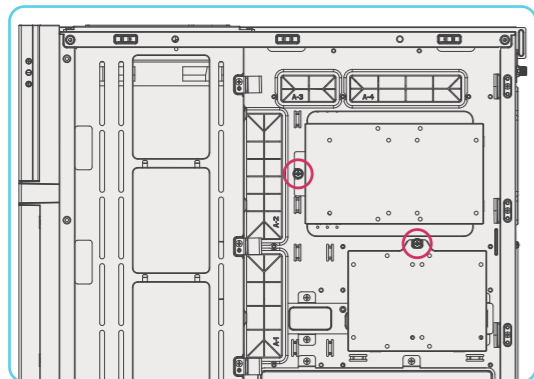


**Step 3:** Remove corresponding PCIe brackets

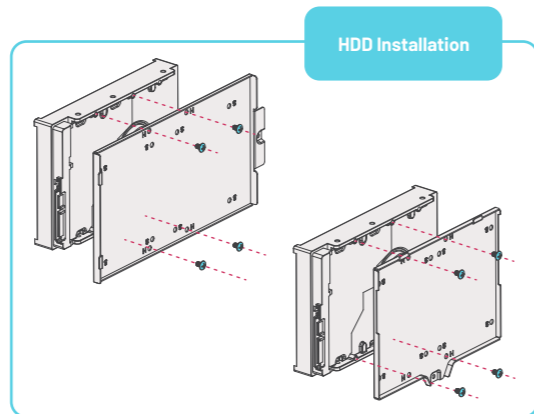


**Step 4:** Install and secure graphics card with screws

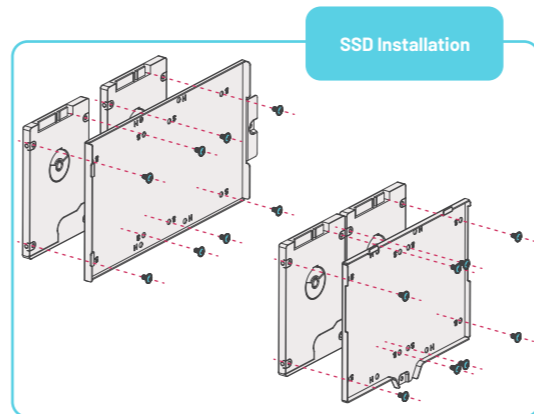
### 03 HDD Installation



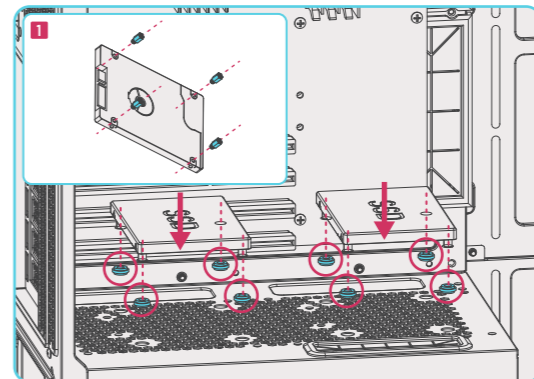
**Step 1:** Unscrew the screws securing the hard disk bracket and remove the bracket



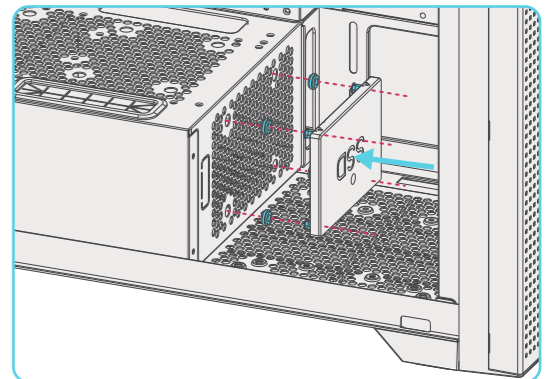
**Step 2:** Use HDD screws to secure the disk and lock it back into the case



**Step 3:** Use SSD screws to secure the disk and lock it back into the case



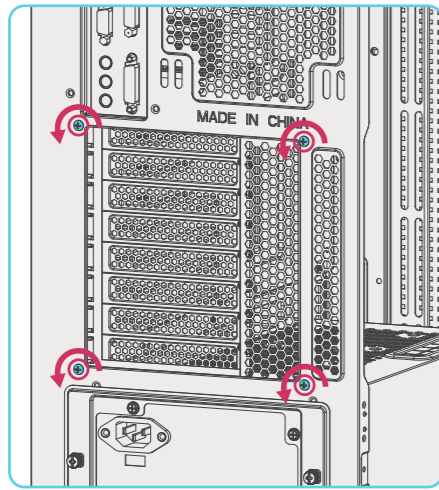
**Step 4:** To mount the SSD use SSD Stand-off and anti-vibration rings. **NOTE:** The disk cannot be installed if the fans are installed in this position or you have vertical GPU.



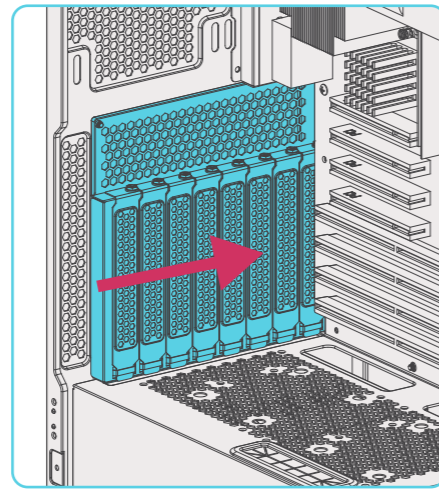
**OPTIONAL:** Use SSD screws to secure the disk and lock it back into the case. Use anti-vibration rings for secure placement.

# 04 GPU Bracket Vertical Switching

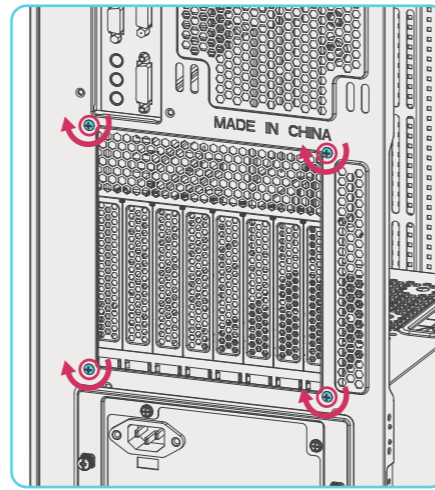
NOTE: Exstension cable required



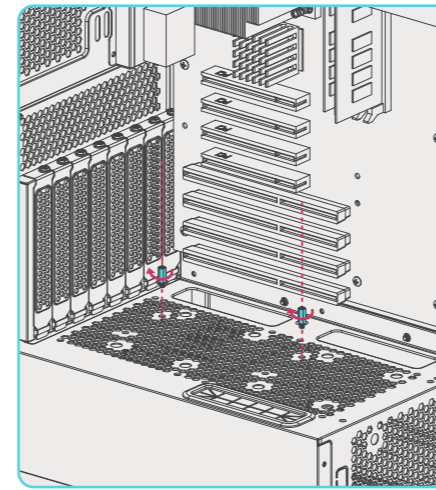
Step 1: Unscrew the 4 screws to remove the graphics card bracket



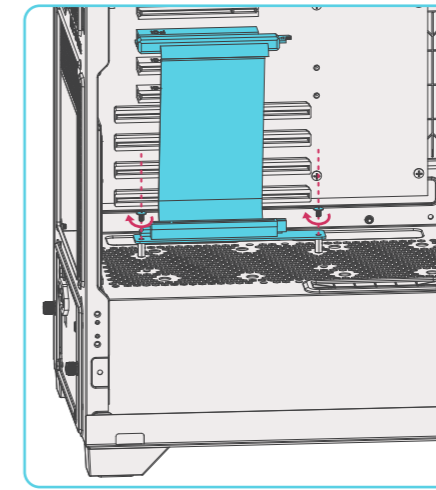
Step 2: Rotate and reinstall the bracket on the case



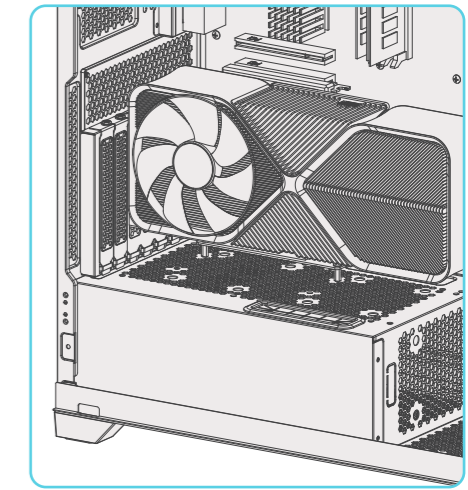
Step 3: Tighten the four screws



Step 4: Install the stand-off bolts

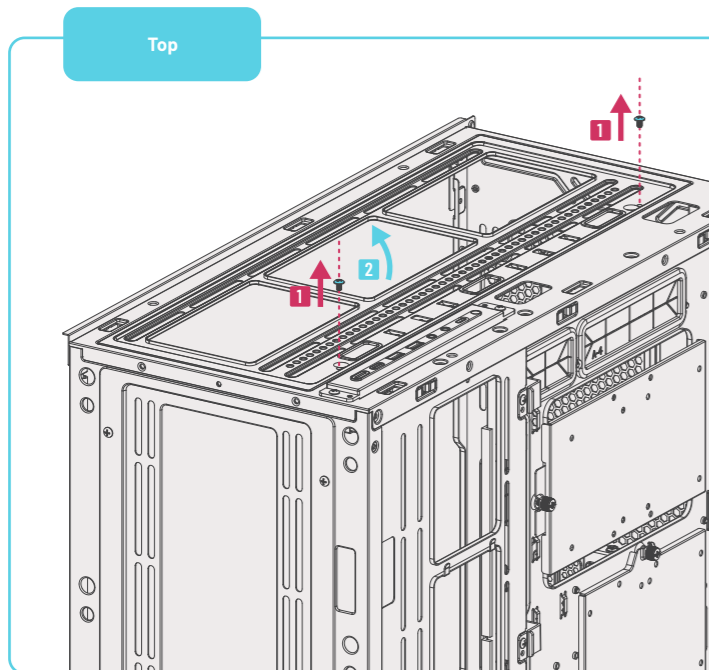


Step 4: Secure the extension cable with motherboard screws

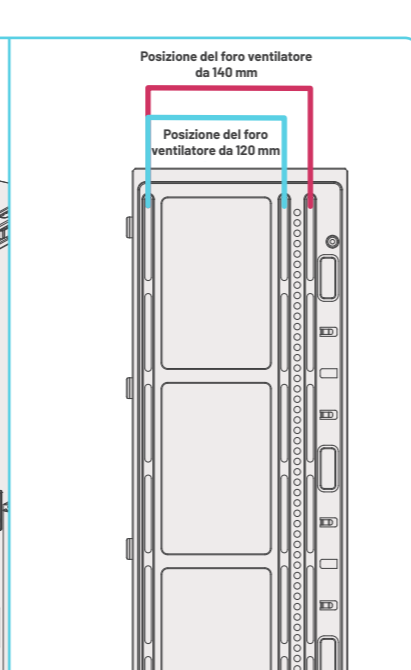


Step 5: Install the GPU

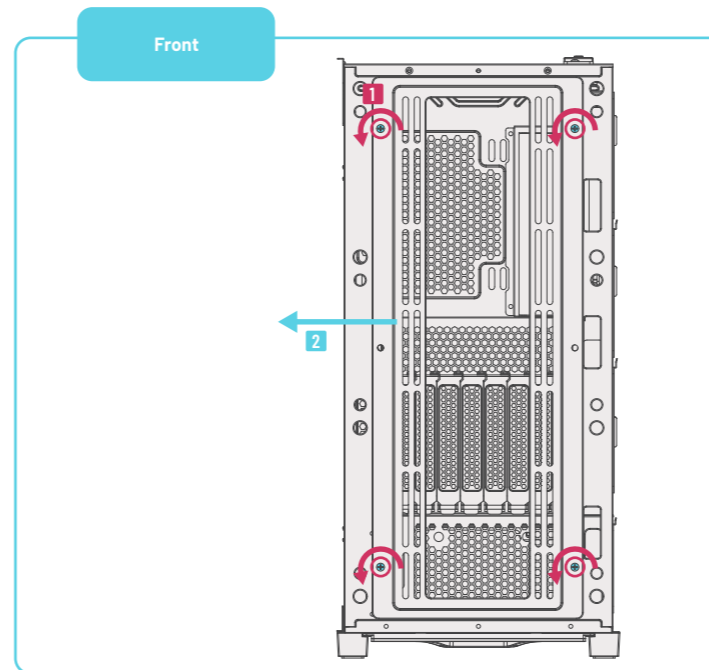
# 05 Radiator Positions and Compatibility



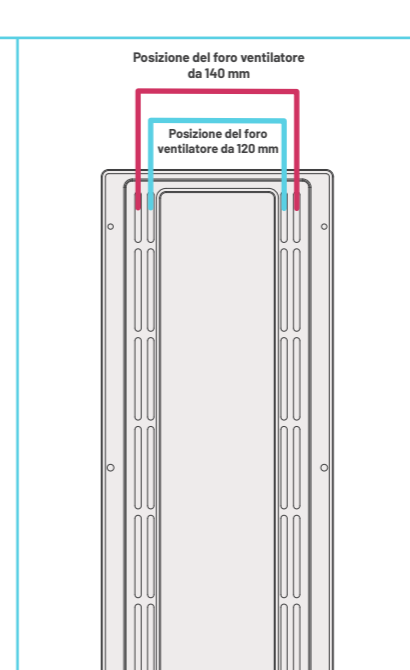
Step 1: Unscrew the screws securing the radiator bracket  
Step 2: Remove the bracket



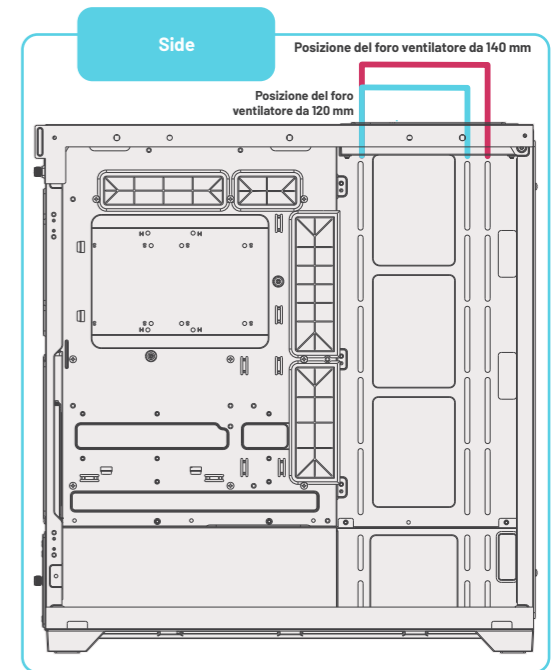
Case fan support - 3x 120mm / 3x 140 mm fans  
Watercooling radiator support - 360/420 AIO



Step 1: Unscrew the screws securing the radiator bracket  
Step 2: Remove the bracket

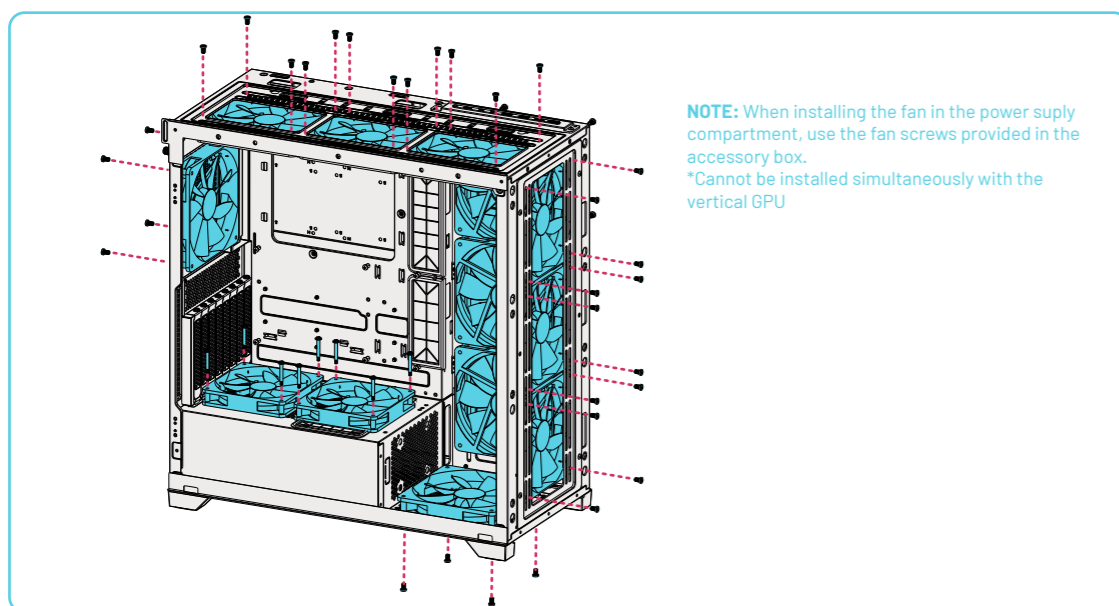


Case fan support - 3x 120mm / 3x 140 mm fans  
Watercooling radiator support - 360/420 AIO



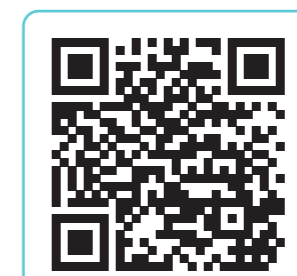
Case fan support - 3x 120mm / 3x 140 mm fans  
Watercooling radiator support - 360/420 AIO

# 06 Fan Installation Diagram



NOTE: When installing the fan in the power suply compartment, use the fan screws provided in the accessory box.  
\*Cannot be installed simultaneously with the vertical GPU

- DE Scannen Sie den QR-Code für die Installationsanleitung
- FR Scannez le code QR pour le manuel d'installation
- IT Scansiona il codice QR per il manuale di installazione
- ES Escanee el código QR para el manual de instalación
- PT Escaneie o código QR para obter o manual de instalação
- NL Scan de QR-code voor de installatiehandleiding
- RUS Отсканируйте QR-код для получения руководства по установке



www.my-valkyrie.com/installation-manuals

- @my.valkyrie
- @myvalkyrieplays
- My Valkyrie
- @myvalkyrield
- @myvalkyrie

HW Gaming Solution Ltd  
28 Oktovriou 261, View point Tower,  
3035 Limassol, Cyprus

info@my-valkyrie.com  
www.my-valkyrie.com

