

USB 3-2-1 Raven™ 3204C Pro

4-Port USB 3 (5Gbps), 10GbE LAN or CAT 6a/7 USB-C Extender System



Icron's next gen extender, the Raven 3204C Pro, is the world's first USB 3-2-1 extender over Local Area Network optimized for camera and video capture devices with Isochronous (ISO) support. It extends USB 3 (5Gbps), USB 2.0 and 1.1 devices from a host computer across a 10GbE LAN or a point-to-point CAT 6a/7 connection. The Raven 3204C Pro delivers the same exceptional performance as the Raven 3104 Pro, in a smaller, lighter design, with USB-C ports available for the host and extended devices.

Extend ISO USB cameras, sound bars, hubs and other USB-C or USB-A devices past the standard USB 3 cable (1.8m/6ft) limitation to a PC or laptop across the conference room or to an IT closet with standard CATx cabling.

Features

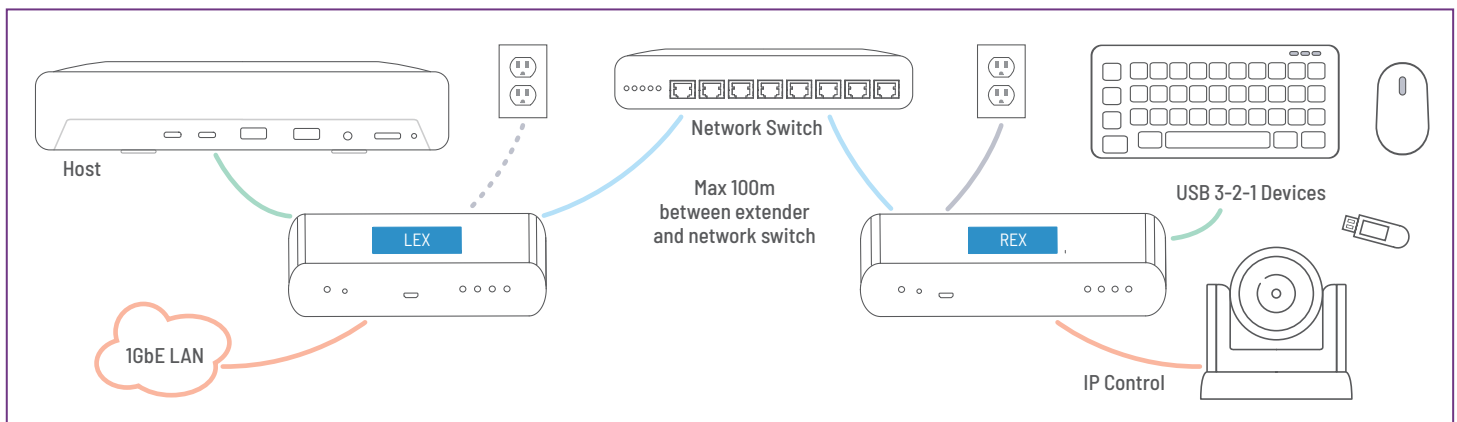
- ▶ Supports all USB 3, 2, and 1.1 devices simultaneously up to 5Gbps (shared)
- ▶ Extends USB 3-2-1 up to 200m across a 10GbE LAN switch or 100m through a single CAT 6a/7 cable
- ▶ Power the LEX (Local Extender) using the USB-C connection to the host*
- ▶ The REX (Remote Extender) includes 2 USB-C ports and 2 USB-A ports
 - Delivers 3A at each USB-C port and 1.2A at each USB-A port
- ▶ Convenient 'Firmware Upgrade over Network' capability saves time and reduces maintenance costs
- ▶ 1Gb Ethernet pass-through eliminates extra cable runs for simplified installations
- ▶ Compatible with all major UC conferencing applications
- ▶ Supports all USB transaction types (Control, Interrupt, Bulk, and Isochronous)

Includes the ExtremeUSB-C™ suite of features:

- ▶ Transparent USB extension supporting USB 3, 2 and 1
- ▶ True plug and play; no software drivers required
- ▶ Works with all major operating systems; Windows®, macOS™, Linux® and ChromeOS™

Applications

- ▶ Conference rooms
- ▶ Security and monitoring
- ▶ Video matrix systems
- ▶ Remote storage



* If the host computer can deliver 15W to the LEX, the LEX power supply is not required.

Icron | An Analog Devices Brand
4664 Lougheed Hwy., Suite 221
Burnaby, BC V5C 5T5
Canada

Visit icron.com

For more information about configuring and operating this product, refer to the complete online user guide.

For technical support, visit icron.com/support.

For sales/general inquiries, visit icron.com/contact.



Specifications subject to change without notification.
Copyright © 2024 Analog Devices, Inc.
#90-01931-A03

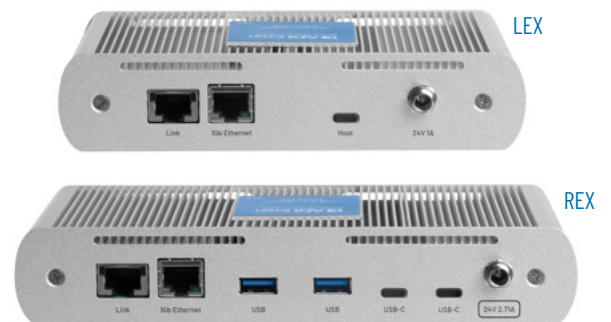
Icron USB 3-2-1 Raven™ 3204C Pro Specifications

MECHANICAL DATA	SPECIFICATIONS	LEX (LOCAL EXTENDER)	REX (REMOTE EXTENDER)
	USB Connector	1x USB-C Receptacle	2x USB-C Receptacles; 2x USB-A Receptacles
	1GbE Pass-through	1x RJ45 Ethernet 100/1000 Port	
	Link Connector	1x RJ45 Ethernet Link Port	
	Power Input	24V 1A DC Locking Jack	24V 2.71A DC Locking Jack
	Dimensions (W x D x H*)	165mm x 100mm x 35mm / 6.50" x 4.00" x 1.38"	197mm x 100mm x 35mm / 7.75" x 4.00" x 1.38"
	Weight	572g / 1.26lbs.	697g / 1.54lbs.
	Enclosure Material	Silver Anodized Aluminum	

* Note: Add 2mm to height for non-slip rubber feet on bottom enclosure.

RANGE	Point-to-Point	Up to 100m (330 ft) over CAT 6a/7
	Network	Up to 200m across a single 10GBASE-T Switch (Layer 2)
USB SUPPORT	USB Bandwidth	Up to 5Gbps
	Device Compatibility	All Device Types and Classes (Control, Interrupt, Bulk, and Isochronous)
	Host Compatibility	OHCI, UHCI, EHCI, xHCI
	Available Current at REX	Supplies 3A (15W) per USB-C port and 1.2A (6W) per USB-A port
	Maximum Devices	Supports up to 30
ENVIRONMENTAL	Temperature	0°C to 40°C (32°F to 104°F) Operating / -20°C to 70°C (-4°F to 158°F) Storage
	Relative Humidity	20% to 80% Operating / 10% to 90% Storage (Non-condensing)
COMPLIANCE	Certifications	FCC, CE, RoHS2/3 (CE), ICES-003 Issue 7, IEC 62368-1
SUPPORT	Warranty	2-year

EXTENDER SYSTEM	PACKAGE CONTENTS	PACKAGED WEIGHT
	1x LEX (Local Extender)	2.5kg / 5.5lbs.
	1x REX (Remote Extender)	
	1x USB-C Cable	
	2x International Locking AC Adapters	
	2x Country Specific Power Cords	
	1x Quick Start Guide	



Ordering Information



The Icron USB 3-2-1 Raven 3204C Pro system includes a LEX, REX, USB-C cable, two international power adapters with country specific power cords, Quick Start Guide and two-year warranty. To order or for more information, contact us online at icron.com/contact, by email at icronSales@analog.com, or call +1 604 638 3920.

PART #	NAME	DESCRIPTION
00-00476	Icron USB 3-2-1 Raven 3204C Pro - NA	4-Port Pro USB 3-2-1 LAN or CAT 6a/7 USB-C Extender System, Silver, 100-240V Power Adapters - NA
00-00477	Icron USB 3-2-1 Raven 3204C Pro - EU	4-Port Pro USB 3-2-1 LAN or CAT 6a/7 USB-C Extender System, Silver, 100-240V Power Adapters - EU
00-00478	Icron USB 3-2-1 Raven 3204C Pro - UK	4-Port Pro USB 3-2-1 LAN or CAT 6a/7 USB-C Extender System, Silver, 100-240V Power Adapters - UK
00-00479	Icron USB 3-2-1 Raven 3204C Pro - AU	4-Port Pro USB 3-2-1 LAN or CAT 6a/7 USB-C Extender System, Silver, 100-240V Power Adapters - AU
00-00480	Icron USB 3-2-1 Raven 3204C Pro - JP	4-Port Pro USB 3-2-1 LAN or CAT 6a/7 USB-C Extender System, Silver, 100-240V Power Adapters - JP
10-00620	Raven Silver Mounting Kit	Raven Silver Mounting Kit, Set of 2 Mounting Brackets, Bolts Included