

FSR CB22+ Installation Instructions

244 Bergen Boulevard, Woodland Park, NJ 07424, Phone: 973.785.4347 - Fax: 973.785.4207

Mounting:

1. Install CB-22+ to a structural ceiling able to support 5x the noted gross weight. Use appropriate mounting methods based on local building codes. Install safety cable as required by local building codes. Route conduits to box as required.

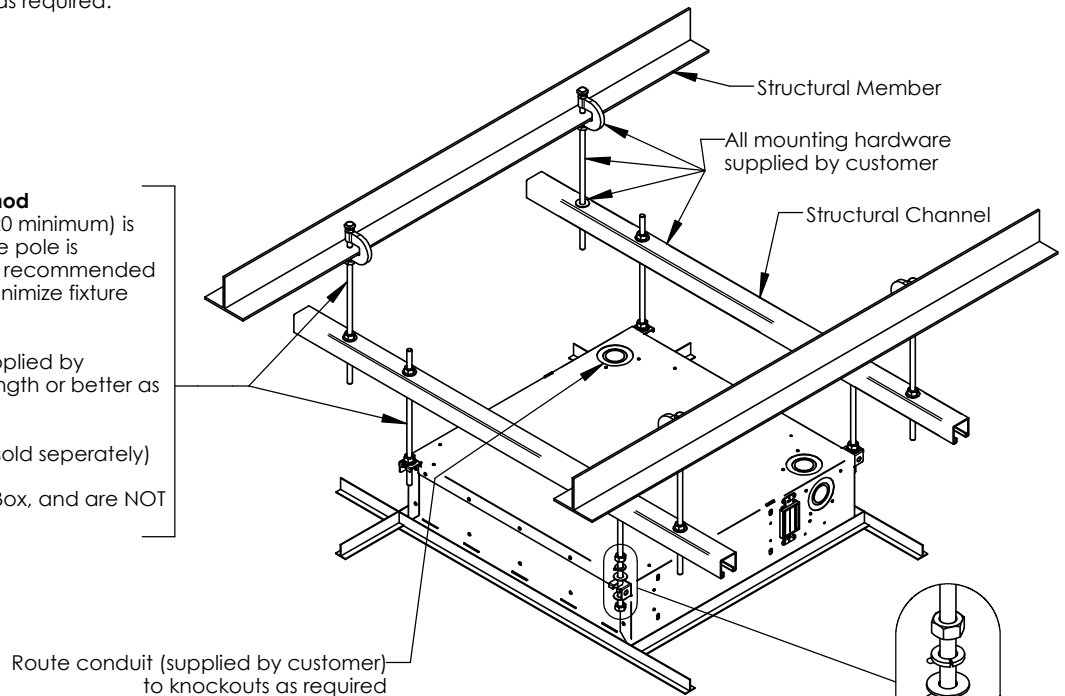
INTENDED FOR USE WITH COMMON "T" GRID DROP CEILING AND IS NOT COMPATIBLE WITH ALL DROP CEILING.

NOTE: Ceiling Box suspension method (Shown) Threaded steel rod (1/4"-20 minimum) is required for applications where the pole is supporting more than 50lbs. and is recommended for all ceiling box installations to minimize fixture movement.

(Alternate Method 1)
12 ga. steel wire may be used (supplied by customer) at 70,000 psi tensile strength or better as required by building codes.

(Alternate Method 2)
Quick 3/32" Cable Installation Kit (sold separately) Model Number CB-MNT1

NOTE: Cables support the Ceiling Box, and are NOT safety cables.

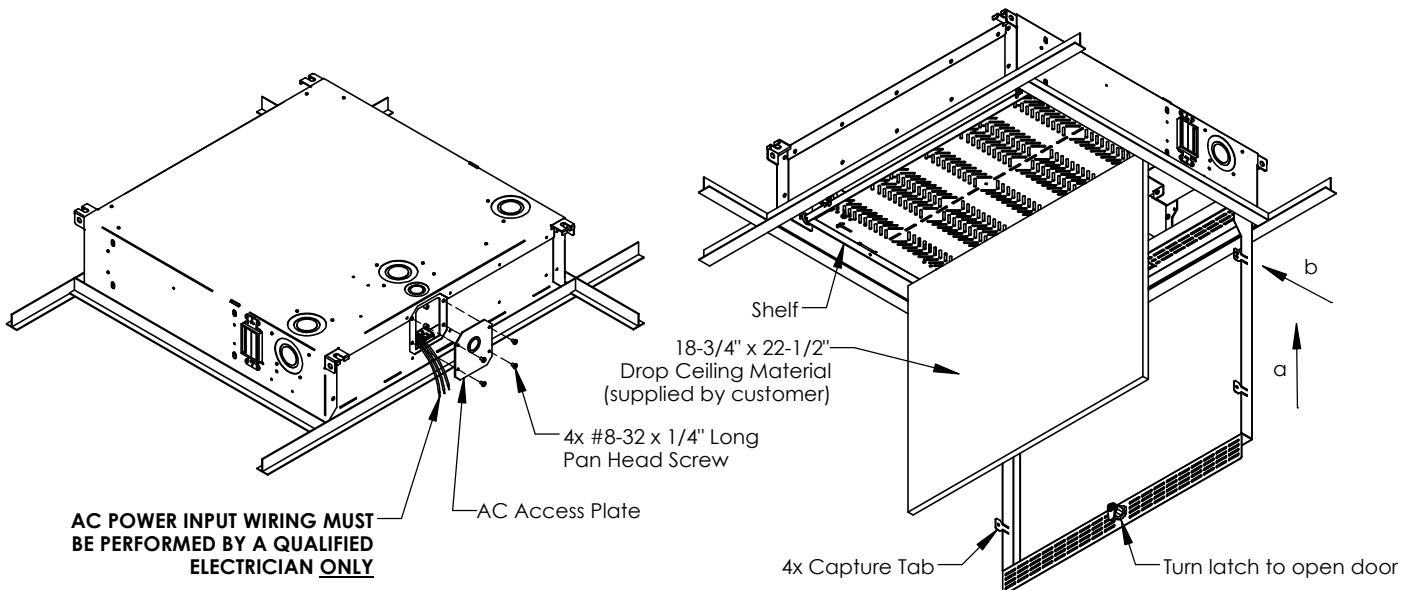


AC Wiring:

2. To install AC main power into unit, remove AC access plate by removing 4x #8-32 screws, as shown. Wiring must be performed by a qualified electrician only. Wiring must be done in accordance with all NEC and other applicable codes. Re-install AC access plate after AC wiring is complete.

Door Removal:

3. Turn latch to open door (unlock if needed). (a) Push door up towards ceiling and (b) push towards shelf - reverse procedure to install. Disconnect safety cable to completely remove door. Installation of 18-3/4" x 22-1/2" drop ceiling material into door can be done as required, while door is off or during re-assembly. Bend capture tabs over ceiling panel to hold in place.



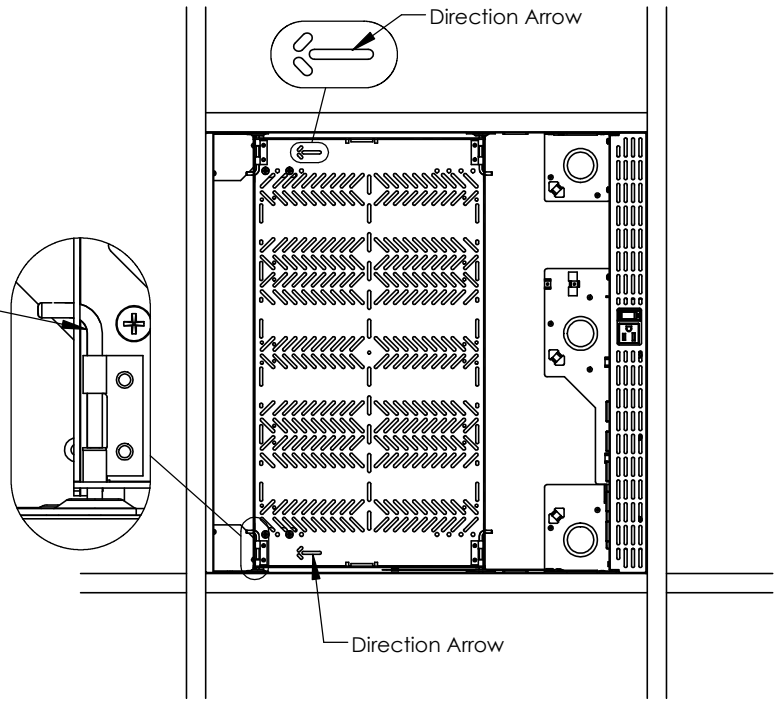
Shelf Options and Operation:

4. To access shelf and equipment, retract hinges located under the shelf on the side you wish to rotate down. Support the shelf until the cables engage it.

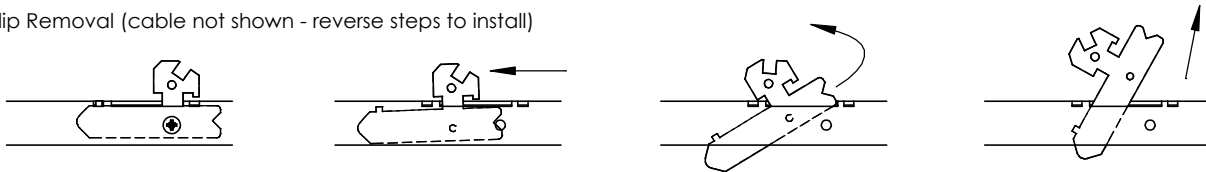
To fully remove the shelf, remove the two #6-32 screws on the sides that retain the cable clip. Slide the clips out of the shelf. The shelf should hang on the two remaining spring hinges. Carefully retract the final two spring hinges while fully supporting shelf as it rotates out of the Ceiling Box.

For shelf installation, the arrows on the shelf must point away from the receptacles at the back of the box and towards the door latch at the front. Fully retract 2 hinges on the rear of the shelf and lift shelf into Ceiling Box. Align both pins with the Ceiling Box embosses located on either side of chassis. Insert point side of the cable clips into the side of the shelf, rotate until the end of the clip passes through the shelf, then slide clip back. Install the two #6-32 screws through the shelf side into the clips. Fully retract the remaining 2 hinges on the front of the shelf and rotate shelf into Ceiling Box engaging the hinge pins in the front embosses.

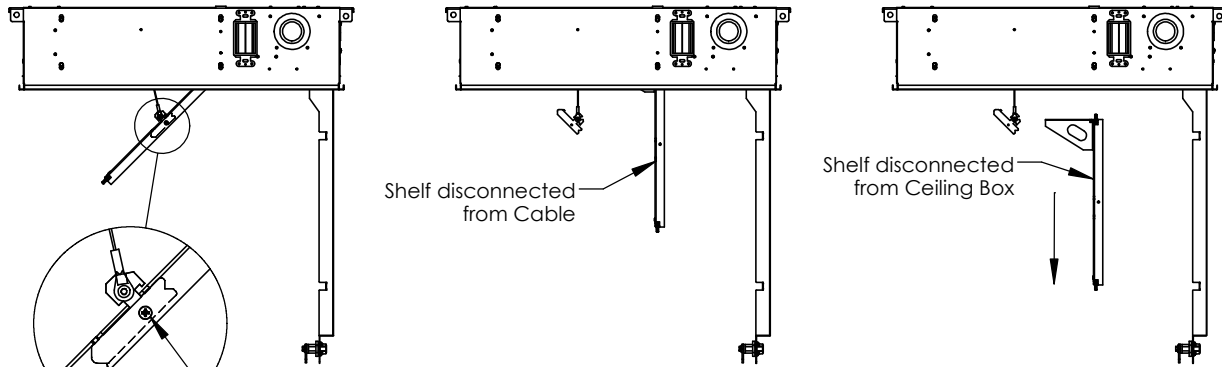
The shelf may be flipped over and mounted to the top of the Ceiling Box using the same spring hinge operation. In this position the cables will not function as rotational supports.



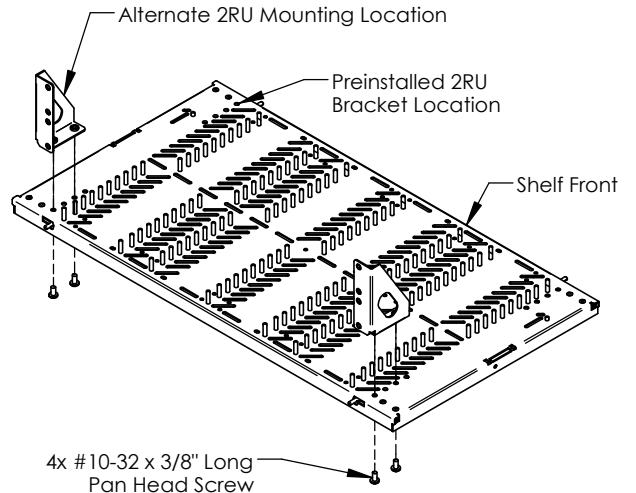
Clip Removal (cable not shown - reverse steps to install)



Shelf Removal (reverse steps to install)



2x Screw to remove/attach Shelf
 Arrow shaped Clip to point in same direction as Shelf arrows



- 4a. Remove shelf to mount electronics. Use existing holes/slot pattern adding additional holes if required to adequately secure equipment. Reinstall shelf and make electrical connections as required.
- 4b. To install 2RU rack-sized equipment, install 2RU Mounting Brackets as shown. Install rack unit and reinstall shelf into Ceiling Box. Make electrical connections as required.

MAXIMUM DISTRIBUTED LOAD - 40LBS