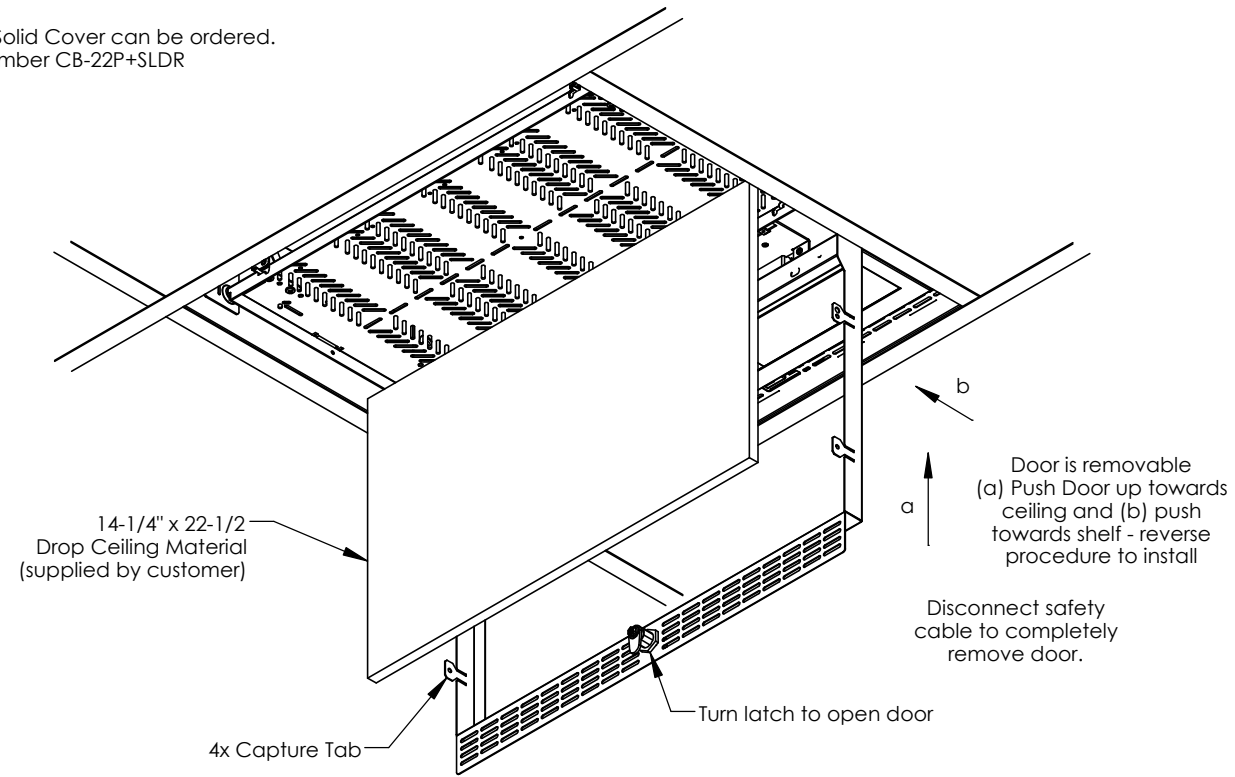


Drop Ceiling Material:

6. Install 14-1/4" x 22-1/2" Drop Ceiling Material (supplied by customer) into door. Bend capture tabs over ceiling panel to hold in place.

Optional Solid Cover can be ordered.
Model Number CB-22P+SLDR



FSR CB-22P+ Installation Instructions

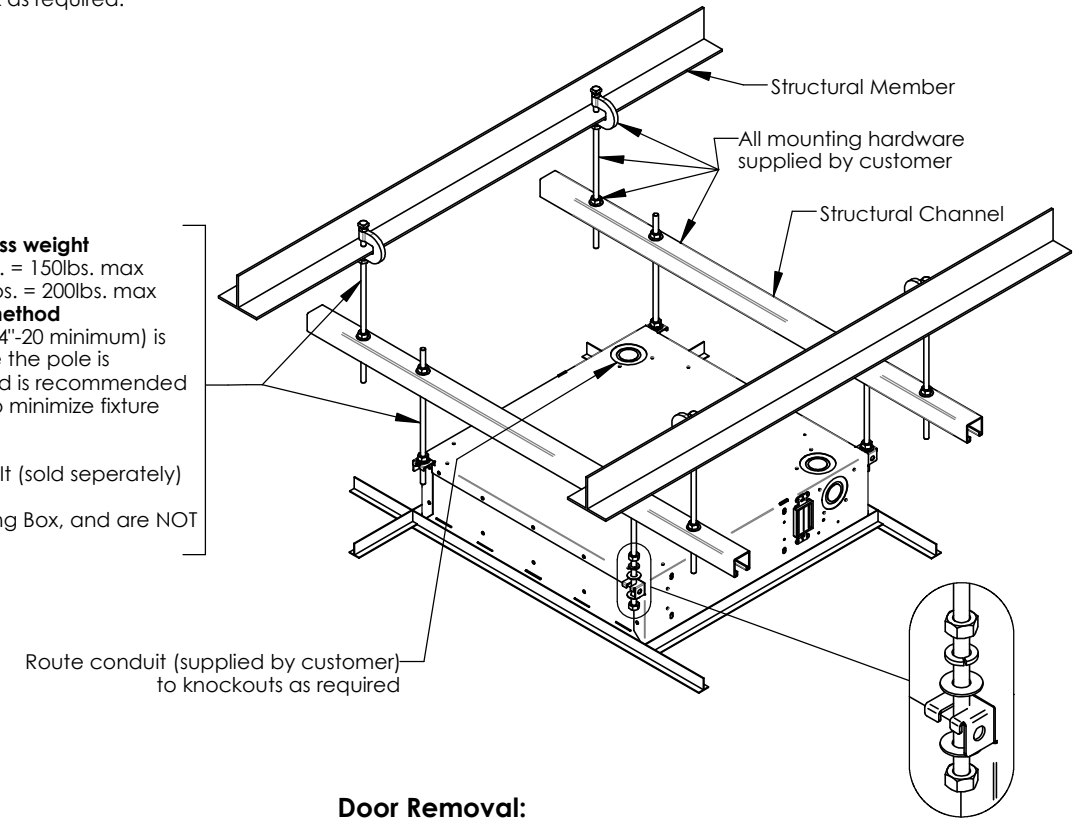
244 Bergen Boulevard, Woodland Park, NJ 07424, Phone: 973.785.4347 - Fax: 973.785.4207

Mounting:

1. Install CB-22P+ to a structural ceiling able to support 5x the noted gross weight. Use appropriate mounting methods based on local building codes. Install safety cable as required by local building codes. Route conduits to box as required.

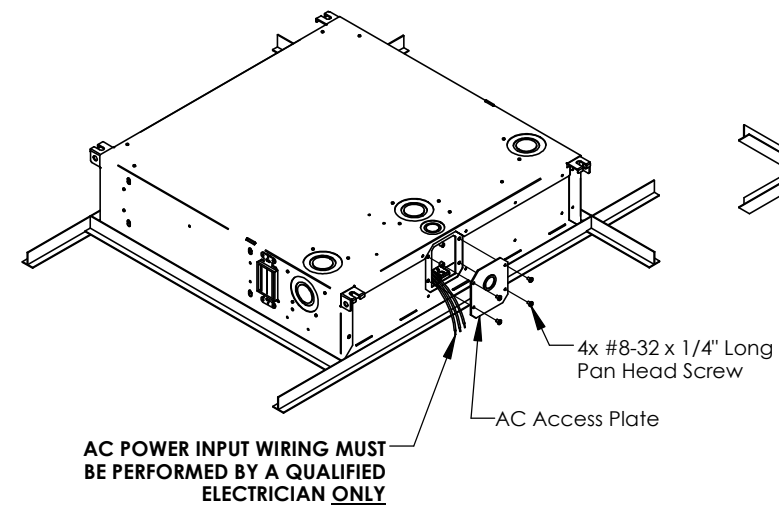
INTENDED FOR USE WITH COMMON "T" GRID DROP CEILING AND IS NOT COMPATIBLE WITH ALL DROP CEILINGS.

NOTE: Determine maximum gross weight
Pole Supporting Less Than 50lbs. = 150lbs. max
Pole Supporting More Than 50lbs. = 200lbs. max
NOTE: Ceiling Box suspension method (Shown) Threaded steel rod (1/4"-20 minimum) is required for applications where the pole is supporting more than 50lbs. and is recommended for all ceiling box installations to minimize fixture movement.
(Alternate Method) Quick 3/32" Cable Installation Kit (sold separately) Model Number CB-MNT1
NOTE: Cables support the Ceiling Box, and are NOT safety cables.



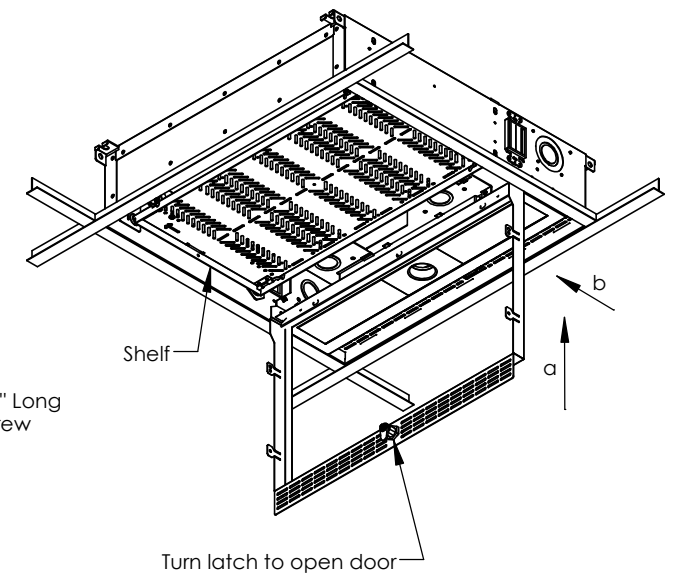
AC Wiring:

2. To install AC main power into unit, remove AC access plate by removing 4x #8-32 screw as shown. Wiring must be performed by a qualified electrician only. Wiring must be done in accordance with all NEC and other applicable codes. Reinstall AC access plate after AC wiring is complete.



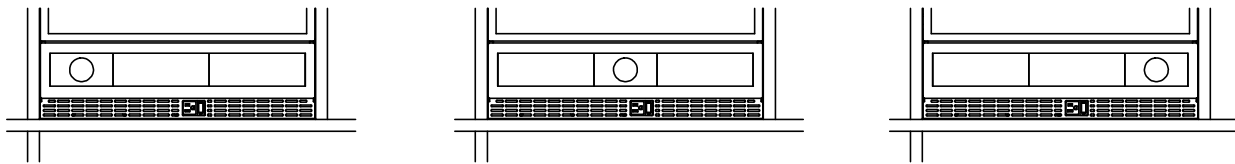
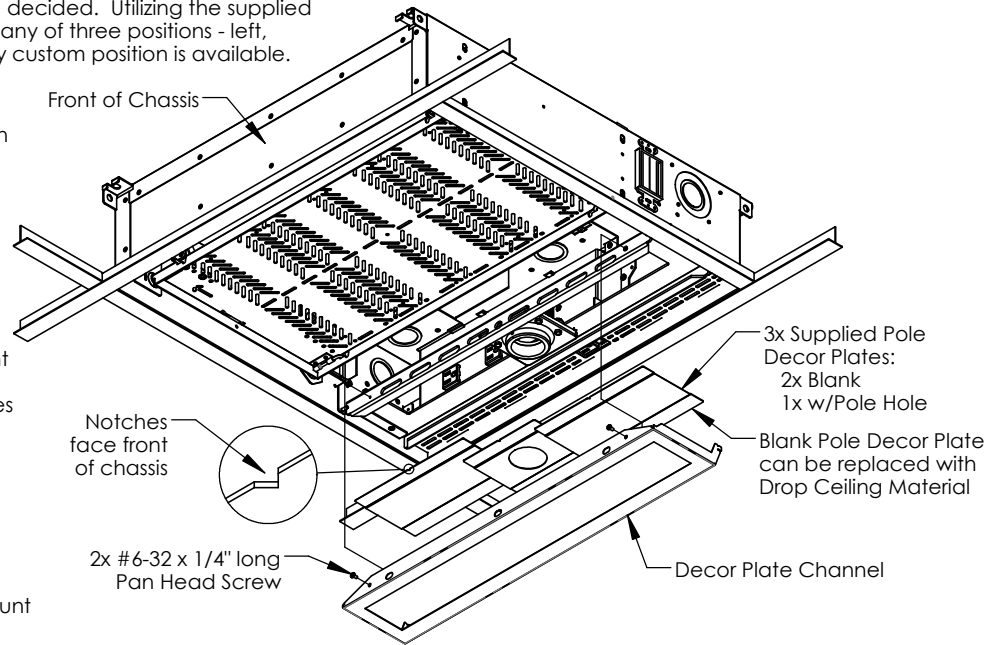
Door Removal:

3. Turn latch to open door (unlock if needed). (a) Push door up towards ceiling and (b) push towards shelf - reverse procedure to install. Disconnect safety cable to completely remove door.



Pole Location:

4. Pole Mounting Decor plates or Drop Ceiling Material (supplied by others) can be installed after the position of the Pole has been decided. Utilizing the supplied Pole Decor Plates the Pole can be mounted in any of three positions - left, center or right. By utilizing Drop Ceiling Tiles any custom position is available.
- 4a. After the Ceiling Box door has been removed, remove both #6 Screws from Decor Plate Channel. Ensure the channel is supported when removing the last screw. Pull Decor Plate Channel slightly forward, ensuring the tabs at the back clear the slots in the grille area and allowing the assembly to drop clear of the chassis.
- 4b. With the Decor Plate Channel assembly removed, you can now configure the location of the Pole Mount. Utilizing the Decor Plates, simply slide the Decor Plate with the Pole Mount hole to the desired location, Left, Center or Right, and place the two remaining blank plates accordingly. Note small notch on each Decor Plate faces front of chassis. If utilizing Drop Ceiling Panels simply slide the Decor Plate with the Pole Mount hole to the desired location, Left, Center or Right and cut the Ceiling Panels accordingly.
- 4c. Once location of Pole Mount is determined, loosen (4) #10-32 Hex Screws, slide the Pole Mount to the new position, and tighten hex screw.

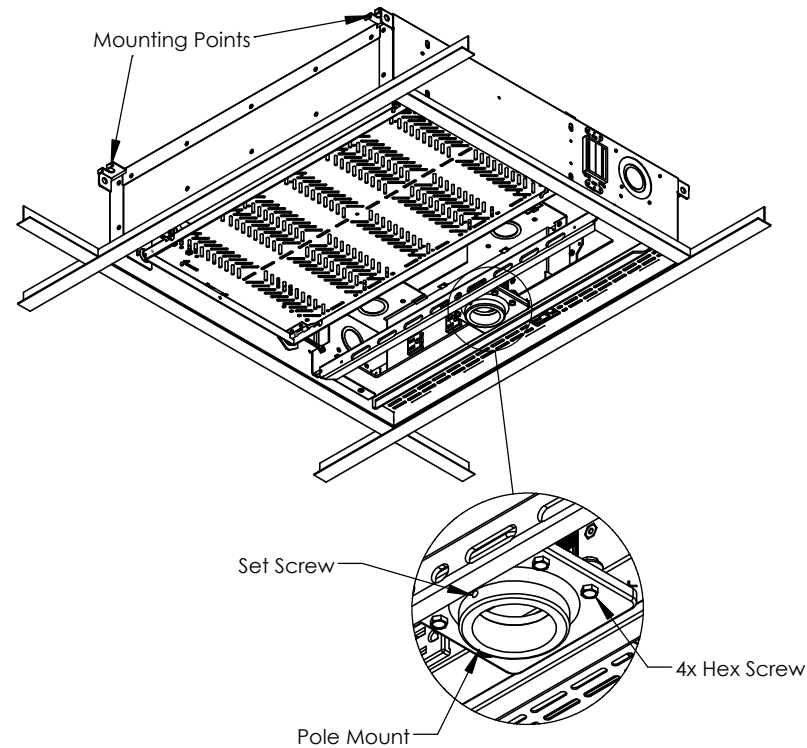
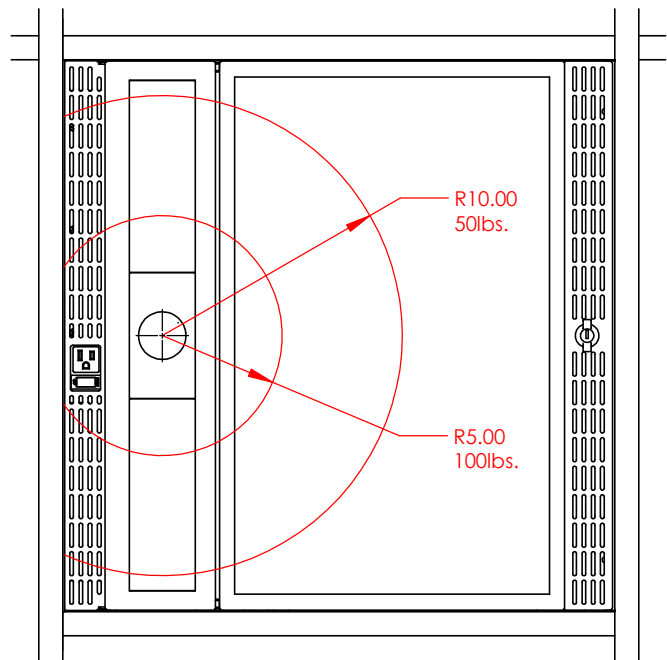


Mounting Pole Accessories:

Caution: Derate Pole Load Limits for Off Center Loads:

Locate the center of gravity for assembled accessories to be mounted to the threaded insert on the CB unit. For Pole Loads with center of gravity not located in the center of the pipe the maximum load the CB can support must be derated.
 For Loads Located Between: 0" and 5" from the center of the threaded insert the Maximum load is 100lb.
 10" from the center of the threaded insert the Maximum load is 50lb.

- Note: Maximum Pole Load includes all mounted accessories**
- Note: Pole Load Center of Gravity must be between the 4 CB Mounting Points**
- Note: Set Screw must be tightened to prevent load rotation**



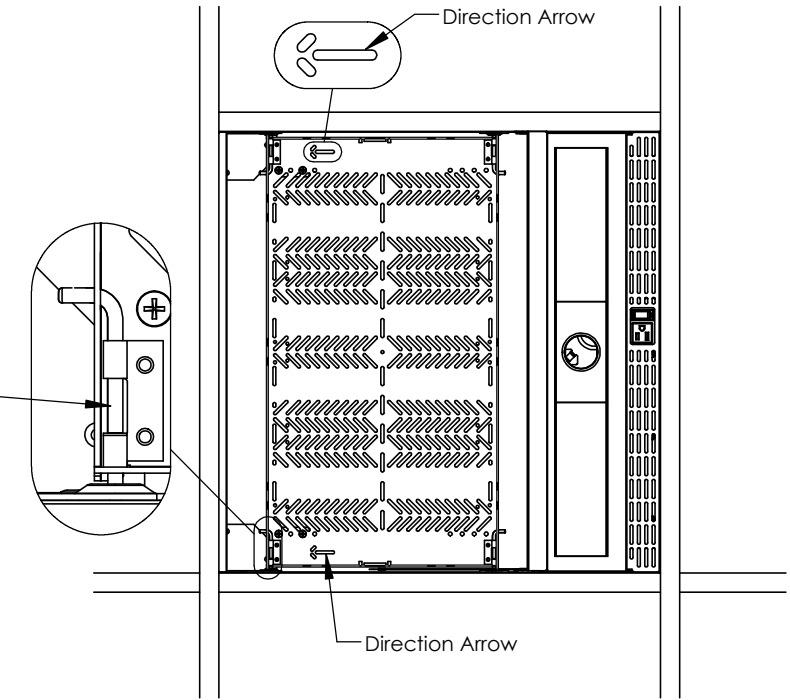
Shelf Options and Operation:

5. To access shelf and equipment, retract hinges located under the shelf on the side you wish to rotate down. Support the shelf until the cables engage it.

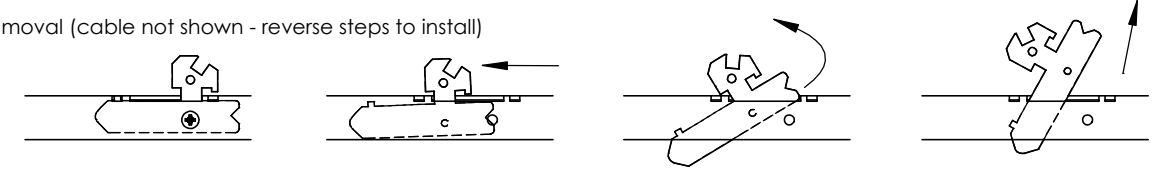
To fully remove the shelf, remove the two #6-32 screws on the sides that retain the cable clip. Slide the clips out of the shelf. The shelf should hang on the two remaining spring hinges. Carefully retract the final two spring hinges while fully supporting shelf as it rotates out of the Ceiling Box.

For shelf installation, the arrows on the shelf must point away from the receptacles at the back of the box and towards the door latch at the front. Fully retract 2 hinges on the rear of the shelf and lift shelf into Ceiling Box. Align both pins with the Ceiling Box embosses located on either side of chassis. Insert point side of the cable clips into the side of the shelf, rotate until the end of the clip passes through the shelf, then slide clip back. Install the two #6-32 screws through the shelf side into the clips. Fully retract the remaining 2 hinges on the front of the shelf and rotate shelf into Ceiling Box engaging the hinge pins in the front embosses.

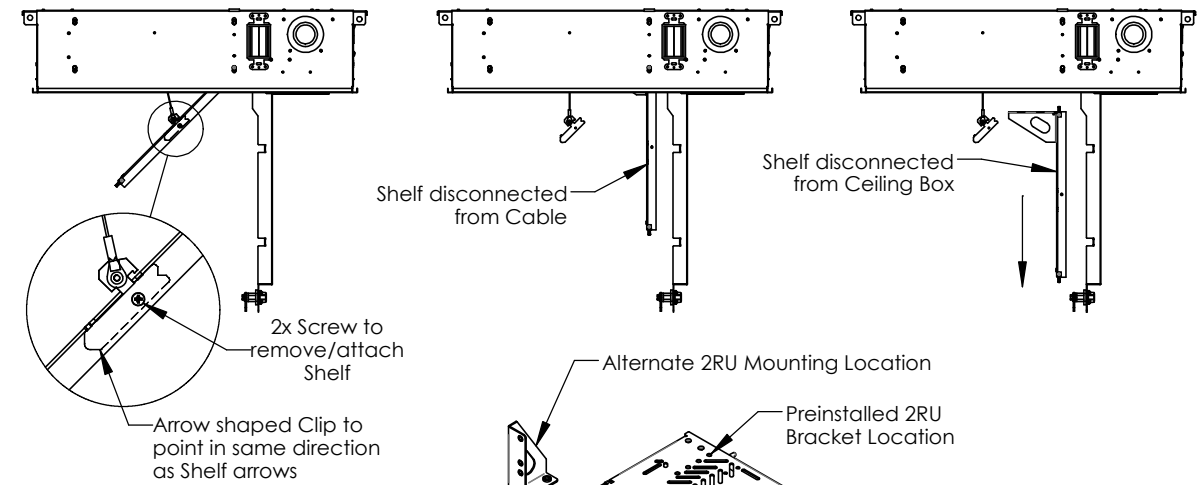
The shelf may be flipped over and mounted to the top of the Ceiling Box using the same spring hinge operation. In this position the cables will not function as rotational supports.



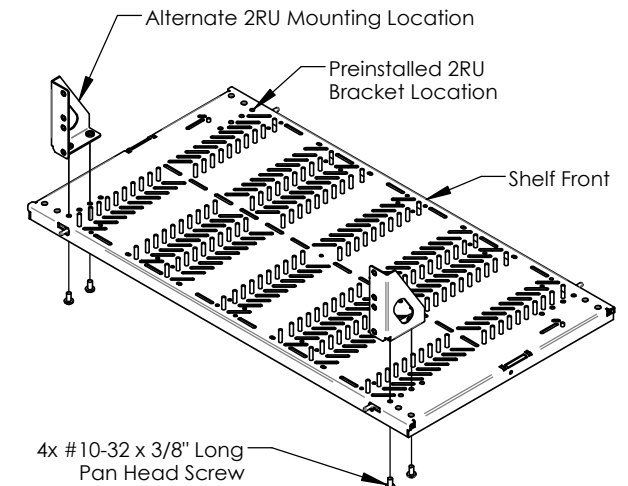
Clip Removal (cable not shown - reverse steps to install)



Shelf Removal (reverse steps to install)



- 5a. Remove shelf to mount electronics. Use existing holes/slot pattern adding additional holes if required to adequately secure equipment. Reinstall shelf and make electrical connections as required.
- 5b. To install 2RU rack-sized equipment, install 2RU Mounting Brackets as shown. Install rack unit and reinstall shelf into Ceiling Box. Make electrical connections as required.



MAXIMUM DISTRIBUTED LOAD - 40LBS