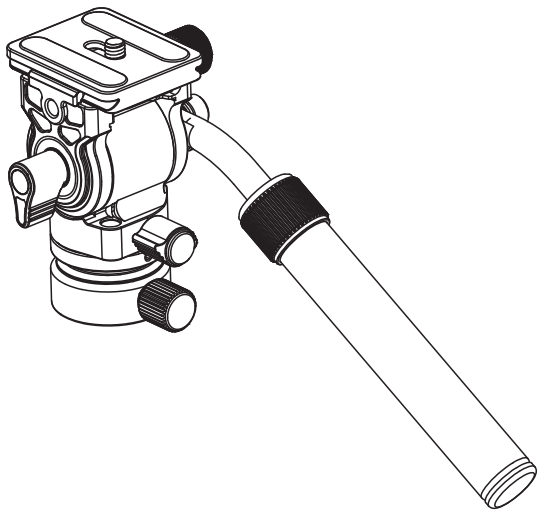


# SmallRig



Video Head Mount Plate  
with Leveling Base CH20

User Manual

- Thank you for purchasing SmallRig's product.
- Please read this Operating Instruction carefully.
- Please follow the safety warnings.

## Warnings

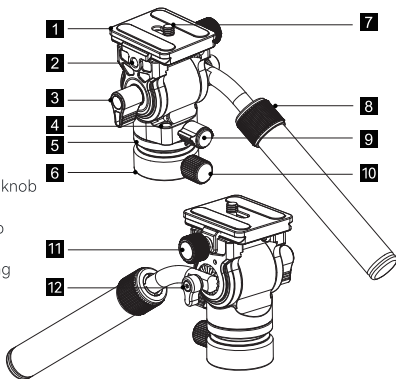
1. Rude operation is not allowed.
2. When using this product, please operate in a safe state with the main body locked.
3. Operate in under minus 25 degree and over 60 degree is not allowed.
4. Operate long time under the sun is not allowed.
5. Carefully operate it when in dangerous places.
6. Tripod and equipment (camera ) move together is not allowed.
7. Inject any petroleum preparations, lubricants and corrosive substances into the ball are prohibited.

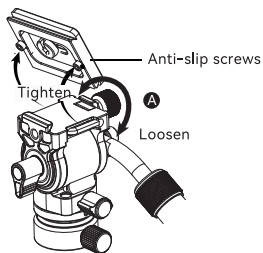


Please do not disassemble the product. If you have any question, please contact the seller to apply after-sales service.

## Video Head Parts

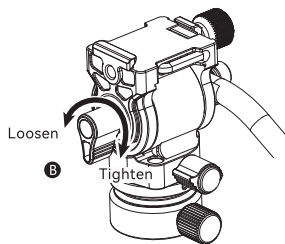
- 1 Quick release plate
- 2 1/4"-20 threaded hole
- 3 Up & down locking knob
- 4 Spirit level
- 5 Balance base
- 6 Base
- 7 1/4"-20 screw
- 8 Handle telescopic locking knob
- 9 Panoramic locking knob
- 10 Balance base locking knob
- 11 Platform locking knob
- 12 Grip handle angle adjusting locking knob





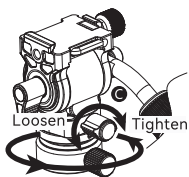
### A. Platform locking knob

After loosen the platform locking knob, align the quick release plate in correct position, then lock the locking knob.



### B. Up & down locking knob

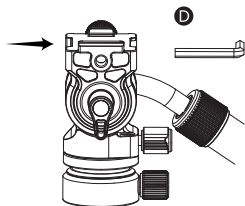
After loosen the locking knob, to ensure the platform can be fixed in the any up & down angle, then can lock the locking knob.



360° horizontal rotation

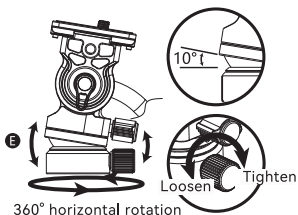
### C. Panoramic locking knob

After loosen the panoramic locking knob, ball head can be in a 360° rotation.



### D. Wrench

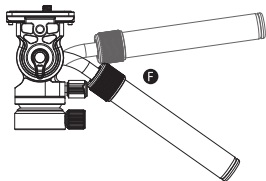
Gently push the arrows part, can take out the hidden wrench.



360° horizontal rotation

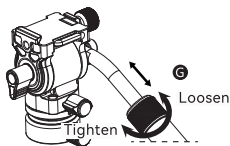
### E. Balance base locking knob

Loosen the balance base locking knob, can freely adjust the balance base angle.



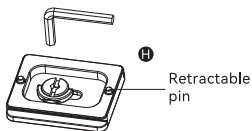
### F. Grip handle

After loosen the angle adjust locking knob, can freely adjust the grip angle, then lock the locking knob.



### G. Handle telescopic locking knob

Loose handle telescopic locking knob, the handle can be telescopic.



### H. Quick release plate

Can freely adjust the camera screw with the free wrench.

## Specifications

Model	Base Max D	Width	Height	Depth	up and down angle	Weight	Max.Load
CH20	ø37mm	78mm	88mm	200mm	90 degrees down	0.36kg	4kg
CH20	ø1.45in	3.07in	3.46in	7.87in	55 degrees up	0.79lbs	8.8lbs

\* To improve the products, if any changes in design / specification / parameter, please refer to the real product.

## Service Warranty

---

Please keep your original receipt and guarantee card. Be sure the dealer has written on it the date of purchase and SN of the product. These are required for warranty service.

### After-sale Warranty Terms

SmallRig products are entitled to warranty services as of the date of payment.

- Electronic products (except V mount battery): 1-year warranty.
- V mount battery: 2-year warranty.
- Non-electronic products: 2-year warranty.

Note: In case of any conflict between our warranty period policy and applicable laws and regulations of the country / region where the products are sold, the latter shall prevail.

### This Warranty Does Not Cover

1. If users fail to adhere to the "Operating Instruction" or any "Warnings" stated in the user manual, resulting in a quality failure, it falls outside the scope of warranty coverage.
2. The product identification or SN label is removed or defaced in any way.
3. Product damage caused by problems not attributable to the quality of the products such as improper use of the products.
4. Product damage caused by unauthorized modification, disassembly, repair and other acts.
5. Product damage caused by fires, floods, lightning and other force majeure factors.

### Warranty Mode

- For the products within the scope of warranty, SmallRig will repair or replace them on the basis of specific failures; the repaired / replaced products / parts are entitled to the remaining part of the original warranty period.

### Contact Information

- You're advised to contact the online customer service personnel of correspondingshopping platform and submit a repair service application.
- You may also apply for repair service through SmallRig's service email.

Service Email: support@smallrig.com

### Guarantee Card

ID No.	
Item Name	
Purchase Date	
User Name	
Mobile	
Address	
Receipt	



WE ARE HERE FOR YOU  
服务与支持



ETICHETTATURA AMBIENTALE  
ENVIRONMENTAL LABELING

UK	REP
----	-----

GAVIMOSA CONSULTORIA, SOCIEDAD LIMITADA,  
CASTELLANA 9144, 28046 Madrid,  
Jorge Wilson, [compliance.gavimosa@outlook.com](mailto:compliance.gavimosa@outlook.com)

EC	REP
----	-----

Sea&Mew Accounting Ltd,  
Electric Avenue Vision 25, London, Enfield EN3 7GD,  
Billy Han, [info@seamew.net](mailto:info@seamew.net)

Manufacturer: Shenzhen Leqi Innovation Co., Ltd.

Add: Rooms 103, 501 and 601, Building 5, Fenghe Industrial Park, Nos. 1301-50 Guanguang Road, Longhua District, Shenzhen, Guangdong, China.

Consignor: Shenzhen LC Co., Ltd.

Add: Rooms 602, Building 5, Fenghe Industrial Park, No. 1301-50 Guanguang Road, Xinlan Community, Guanlan Street, Longhua District, Shenzhen, Guangdong, China.

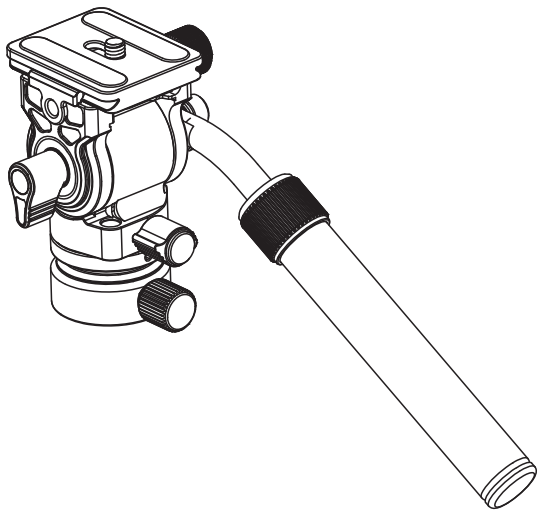
Made in China



CE RoHS



# SmallRig



微型半球阻尼云台安装座 CH20

用户手册

- 感谢您购买 SmallRig 产品。
- 使用本产品之前，请仔细阅读操作指引。
- 请注意所有警告提示并遵循使用操作指引的所有指令。

## 重要提示

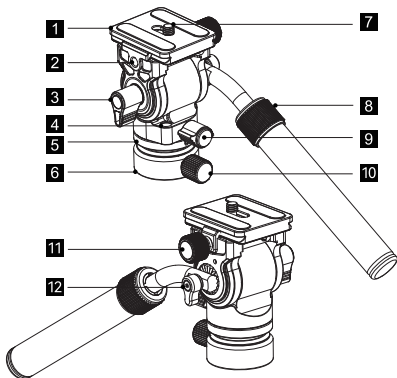
- 1、严禁野蛮操作，以免损坏云台。
- 2、在使用本产品时请在锁紧主体的安全状态下操作。
- 3、请勿在低于零下25摄氏度及高于60摄氏度的温度下操作。当处于潮湿、泥沙、风尘环境时，使用完毕后一定要将云台用干布（可以的话用无水酒精或消毒酒精）擦拭干净，有海水时不推荐使用。
- 4、请勿将产品在太阳下长时间放置，避免产品靠在汽车玻璃旁经历高温长达数小时。
- 5、在公共场所使用本产品时请勿离人，在危险的地方使用时，请慎重操作。
- 6、禁止搭载设备（相机）一起携带移动。
- 7、禁止向球台内注入任何石油制剂，润滑剂及腐蚀性物质。



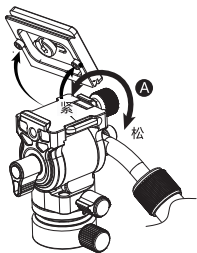
请勿拆卸产品，如果您怀疑产品有任何问题，请联络购买平台，申请售后处理。

## 云台细节展示

- 1 快装板
- 2 1/4"-20 螺纹孔
- 3 俯仰锁紧旋钮
- 4 水平器
- 5 平衡座
- 6 底座
- 7 1/4"-20 螺丝
- 8 握把伸缩锁紧旋钮
- 9 全景锁紧旋钮
- 10 平衡座锁紧旋钮
- 11 平台锁紧旋钮
- 12 握把角度调节锁紧旋钮

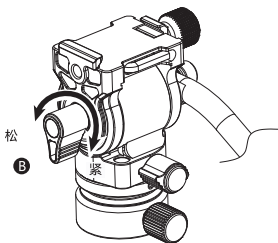






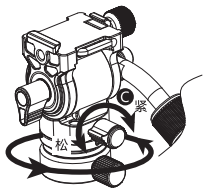
### A、平台锁紧旋钮

拧松平台锁紧旋钮，把快装板按图中的方向对好便可装进快装板后，再锁紧旋钮。



### B、俯仰锁紧旋钮

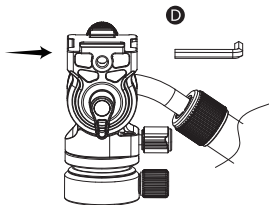
拧松俯仰锁紧旋钮，使平台可以固定在俯仰角度任意位置后，再锁紧旋钮。



360度水平旋转

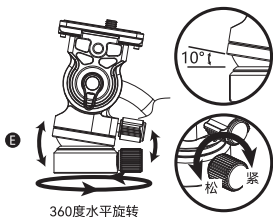
### C、全景锁紧旋钮

拧松全景锁紧旋钮，云台可以360度水平旋转。



### D、扳手

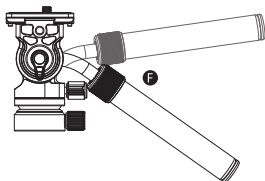
轻推箭头处，可取出隐藏式扳手。



360度水平旋转

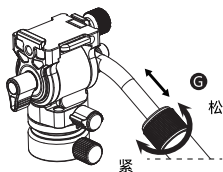
### E、平衡座锁紧旋钮

拧松平衡座锁紧旋钮，可自由调节平衡座角度。



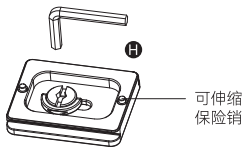
### F、握把

拧松握把角度调节锁紧旋钮，可自由调节握把角度，再锁紧旋钮。



### G、握把伸缩锁紧旋钮

旋松握把伸缩锁紧旋钮，握把可伸缩调节。



### H、快装板

可用自带扳手自由调节相机螺丝松紧度。

## 规格参数

Model							
CH20	底座直径 ø37mm	宽度 78mm	高度 88mm	长度 200mm	俯仰角度 俯90° / 仰55°	净重 0.36kg	最大承重 4kg

\* 为了改善产品，有设计 / 规格 / 参数的变动时以实物为准。

# 保修条款

请保留您的原始购买单据及保修卡,同时包含您的购买日期、产品序列号等,这些资料质保服务时均需要提供。

## 售后质保条款

SmallRig产品自下单付款之日起享有质保服务。

- 电子产品(除V口电池): 1年质保。
- V口电池: 2年质保。
- 非电子产品: 2年质保。

注:若销售地国家或地区的适用法律法规有冲突的,以销售地国家或地区有关质保期的法律法规为准。

## 质保无效说明

1. 当用户违反操作指引或用户手册中“重要提示”任何一条导致的质量失效,不在质保范围内。
2. 产品序列号标识已经被撕毁或无法辨识,不在质保范围。
3. 产品使用不当等非产品本身质量问题,而造成的产品损坏,不在质保范围。
4. 非官方指导的私自改装、拆解、维修等行为而造成的损坏,不在质保范围。
5. 因火灾、水灾、雷击等不可抗力造成的产品损坏,不在质保范围。

## 维修方式

·属于质保范围的,SmallRig根据产品具体的故障对产品进行维修或更换;维修后的产品/部件享受原有保修期的剩余时长。

## 联系方式

- 建议您优先前往相应购买平台联系在线客服,提出产品维修申请。
- 您也可以通过 SmallRig 服务邮箱申请维修服务。

服务邮箱:support@smallrig.com

## 保修卡

ID编号	
产品名称	
购买日期	
用户姓名	
用户电话	
用户地址	
购买单据	

LQ-B013-18      GB/T 26572-2011

制造商: 深圳市乐其创新股份有限公司

地址: 中国广东省深圳市龙华区观澜街道新澜社区观光路 1301-50 号丰和工业园厂房 5 栋  
103、501、601

委托商: 深圳市乐长科技有限公司

地址: 中国广东省深圳市龙华区观澜街道新澜社区观光路 1301-50 号丰和工业园厂房 5 栋 602

中国制造



CE RoHS

合格证  
已检验