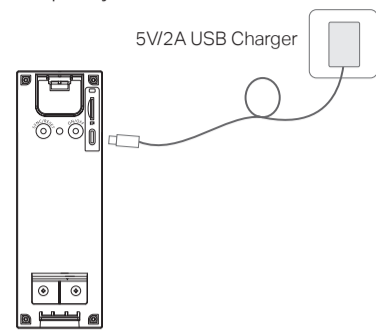


Set Up Your Doorbell and Chime

Quick Start Guide Video Doorbell Camera

1. Plug in the USB cable to charge your doorbell. When you plug in the charger, the LED should blink amber quickly for 3 seconds.

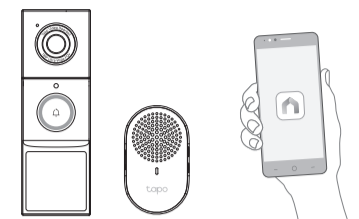


2. Download the Tapo app from the App Store or Google Play.



4. Tap the ⊕ button in the app and select your model. Follow the app instructions to set up your doorbell and pair with the chime.

Note: If you didn't pair the chime during the setup, please refer to <https://www.tp-link.com/support/faq/3818/>.



3. Press and hold the ON/OFF button on the back of the doorbell for 3 seconds to turn it on.



Note:

1. Charge the doorbell before use. This will take about 6 hours.
2. The USB charger is not provided.
3. Peel off film from the doorbell before use.
4. Warning: Do not tear off the silicone part by force as it may affect the waterproof performance.
5. Keep the ports firmly covered when not in use to ensure waterproof performance.

▶ **Setup Video**
Scan QR code or visit
<https://www.tp-link.com/support/setup-video/#cloud-cameras>



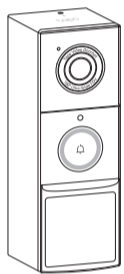
7106511276 REV1.0.1 *Images may differ from your actual product.

Determine Power Options

Option A: Battery Powered

If you don't have existing doorbell wiring at the door, use the built-in battery. You are free to determine the doorbell position and the mounting is easy and quick.

When the doorbell battery level is low, you need to detach and charge it.

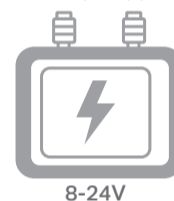


For installation, skip **01/ Install Jumper Wire for Your Existing Chime** and choose either installation option to install your doorbell without existing wires.

Option B: Hardwire Powered

WARNING: Risk of Electric Shocks

- Your existing doorbell must be wired (not battery powered) and supplied by an 8-24V AC, 10VA minimum transformer.
- Ensure that your existing doorbell works by ringing the doorbell.
- Locate your existing doorbell chime.
- Disconnect power at the fuse or circuit breaker before installing.
- You can always find detailed wiring and installation instructions in the Tapo app.



You can choose whether to enable **Always-On Mode**, which supports 24/7 recording.

- Enabling **Always-On Mode** requires bypassing your existing chime.

For installation, follow instructions in the **Mount Your Doorbell** section to bypass your existing chime and install your doorbell.

- Disabling **Always-On Mode** allows using your existing chime. Hardwiring provides a constant power source.

For installation, skip **01/ Install Jumper Wire for Your Existing Chime** and then install your doorbell.

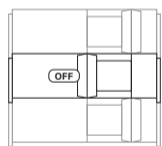
Mount Your Doorbell

⚠ Take care to avoid electric shocks.

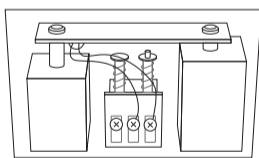
01 / Install Jumper Wire for Your Existing Chime

(Only necessary when hardwiring the doorbell and enabling **Always-On Mode**.)

1. Turn off the circuit breaker. Make sure the power is off by ringing your doorbell a few times.

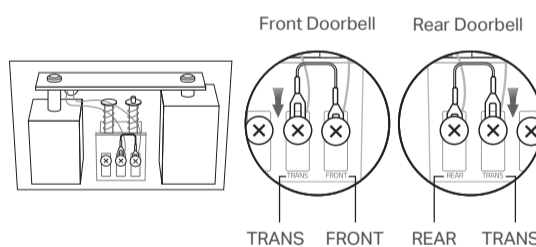


2. Remove the chime cover and take a photo of the wiring in case you want to reconnect it.



3. Slightly loosen the screws for the **Front** and **Trans** of your **front** doorbell or the **Rear** and **Trans** of your **rear** doorbell, then insert the included jumper wire.

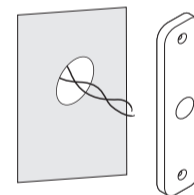
Note: If your doorbell chime has different markings, consult a licensed electrician.



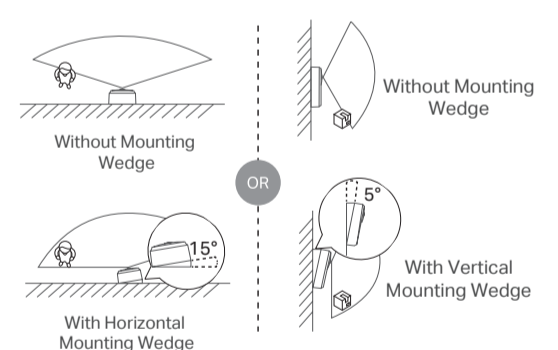
4. Tighten the screws and replace the chime cover. If you want to disable **Always-On Mode**, just remove the jumper wire.

02 / Preparations for Installing Your Doorbell

1. Remove your existing doorbell on the door. Then disconnect the wires.



2. (Optional) Select the mounting wedge to adjust the viewing angle of the doorbell.



03 / Install Your Doorbell

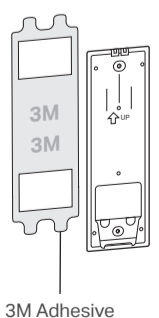
⚠ Take care to avoid electric shocks.

*Recommended Installation Height: 1.2 m (4 ft) above the ground

Option 1. Stick to the wall

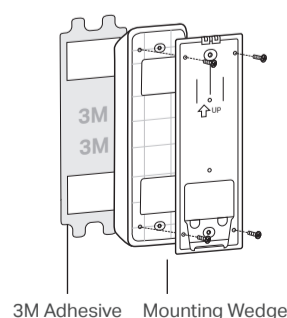
1. Attach the included adhesive to the back of the bracket or the wedge you have selected. If you use the wedge, affix the bracket and the wedge with screws.

Note: The adhesive is for one-time use. Avoid re-using the adhesive to ensure its adhesion.



Requires:
• Mounting Bracket
• 3M Adhesive

OR



Requires:
• Mounting Bracket
• 3M Adhesive
• Horizontal or Vertical Mounting Wedge
• Mounting Wedge Screws ×4

2. Route the wires through the bracket (if there are existing wires). Wipe off the dust from the surface using a dry cloth, stick the bracket with adhesive to the smooth wall, and press it down for 15 seconds to ensure the bracket is firmly attached.

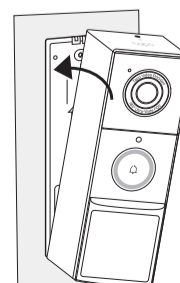
Note: This is applicable with tile, glass, marble, metal, stainless steel, and smooth wall surfaces.

3. Mount the doorbell to the bracket.

Option A: Battery Powered

Mount the doorbell to the bracket.

Requires:
• Video Doorbell Camera

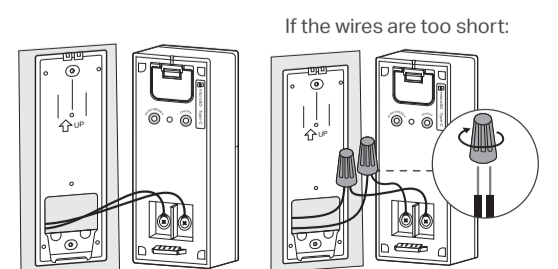


Option B: Hardwire Powered

Connect the wires to the doorbell and tighten the screws. Mount the doorbell to the bracket and turn on the circuit breaker.

Note: If the wires are too short, use the included extension wires and wire nuts to make them longer.

Requires:
• Video Doorbell Camera
• (Optional) Extension Wires ×2, Wire Nuts ×2

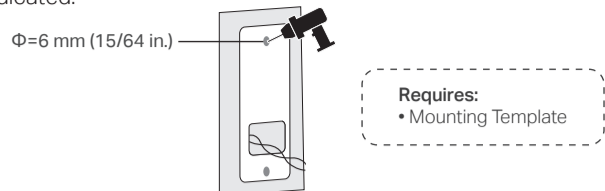


If the wires are too short:

↔ Flip the page over for Option 2, and more.

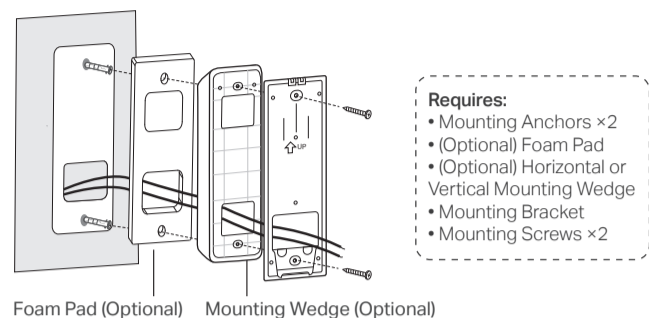
Option 2. Mount to the wall

- Route the wires (if there are existing wires) through the mounting template and stick the template. Drill two holes where indicated.



- Route the wires (if there are existing wires) through the bracket. Insert two anchors into the holes and use the screws to affix the bracket over the anchors.

Note: When mounting to uneven walls, stick the foam pad on the back of the bracket or wedge.



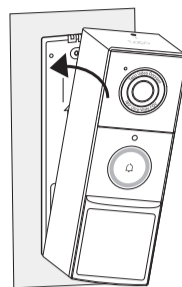
- Mount the doorbell to the bracket.

Note: If you have trouble attaching the doorbell to the bracket or it causes false anti-theft alarms, check if you tightened the screws too much that the bracket bent. Adjust the depth of the screw and then reinstall the doorbell.

Option A: Battery Powered

Mount the doorbell to the bracket.

- Requires:**
- Video Doorbell Camera

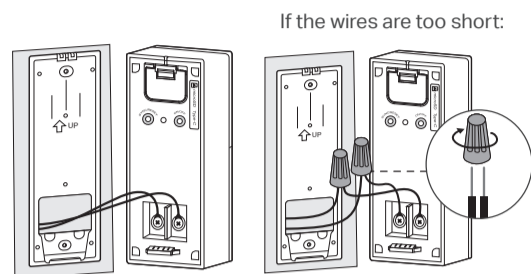


Option B: Hardwire Powered

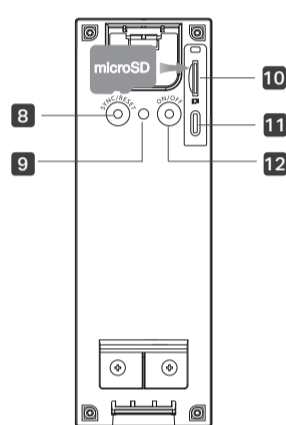
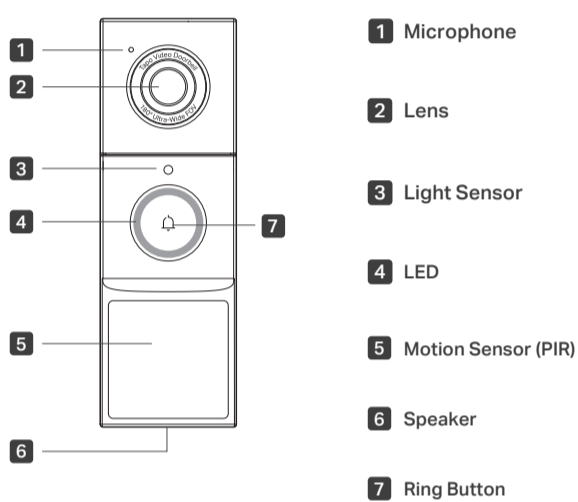
Connect the wires to the doorbell and tighten the screws. Mount the doorbell to the bracket and turn on the circuit breaker.

Note: If the wires are too short, use the included extension wires and wire nuts to make them longer.

- Requires:**
- Video Doorbell Camera
 - (Optional) Extension Wires x2, Wire Nuts x2



Doorbell Appearance



8 SYNC/RESET Button

Press and hold for 5s; Reset to factory settings

9 Anti-Theft Button

When the Anti-Theft Alarm is enabled on the Tapo app, an alarm will trigger once the doorbell is removed.

- Press and hold for 5s: Pause the alarm (Continues to alarm when released)
- Press and hold **8** + **9** simultaneously for 10s: Disable the anti-theft alarm feature

10 microSD Card Slot

Tear off the silicone cover and insert a microSD card. Initialize it on the Tapo app before use. *microSD card not included

11 Type-C Port

Plug in the USB cable to charge your doorbell.

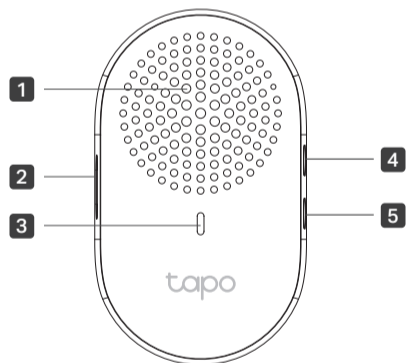
12 ON/OFF Button

Press and hold for 3 seconds to turn on/off the doorbell.

Doorbell LED Indication

Solid red	Starting up
Blinking red and green	Ready for setup
Blinking red slowly	Connecting to Wi-Fi
Solid amber	Connected to Wi-Fi
Solid white	Connected to the cloud
Blinking red quickly	Doorbell resetting
Blinking white quickly	Doorbell updating
Blinking amber quickly for 3 seconds	Charging the doorbell

Chime Appearance



1 Speaker

2 Reset Button

- Use a pin to press and hold for 5s; Reset Wi-Fi settings
- Use a pin to press and hold for 10s; Reset to factory settings

3 LED

4 Volume Button

Press to adjust the volume of the ring.

5 Music Button

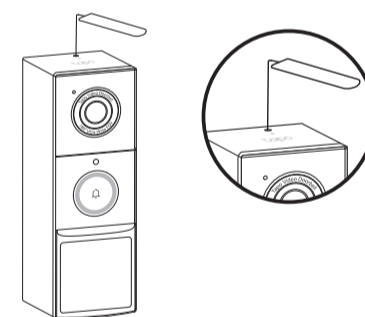
Press to cycle through different ringtones.

Chime LED Indication

Solid red	Starting up
Blinking red and green	Ready for setup
Blinking red slowly	Connecting to Wi-Fi
Solid amber	Connected to Wi-Fi
Solid green	Connected to the cloud
Blinking green quickly	Chime updating

How to Detach Doorbell

Use the doorbell detaching pin provided if you wish to detach the doorbell from the mounting bracket.



Safety Information

- Never touch the product with wet hands.
- Do not disassemble, repair or modify the product.
- Do not use the device where wireless devices are not allowed.
- Do not use the product if the casing has been broken. Danger of electric shock.
- Keep the device away from fire or hot environments. DO NOT immerse in water or any other liquid.
- The product can only be installed, disassembled and maintained by instructed person or skilled person.
- Do not place near automatically controlled devices such as fire alarms. Radio waves emitted from this product may cause such devices to malfunction resulting in an accident.
- Observe restrictions on using wireless products in fuel depots, chemical plants or when blasting operations are in progress.
- Do not use liquid to clean the product. Only use a dry cloth.
- Never put metal objects inside the product. If a metal object enters the product, turn off the circuit breaker and contact an authorised electrician.
- This product is not intended to be used when providing medical care. Consult the manufacturer of any personal medical devices, such as pacemakers or hearing aids to determine if they are adequately shielded from external RF (radio frequency) energy.
- Do not use this product in health care facilities. Hospitals or health care facilities may be using equipment that could be sensitive to external RF energy.
- Do not use this product near water for example near a bath tub, wash bowl, kitchen sink or laundry tub, in a wet basement or near a swimming pool.
- The product should be kept free from excessive smoke, dust

or high temperature and vibration.

- This product should not be exposed to direct sunlight.
- Do not place heavy objects on top of the product.
- This product may interfere with other electronic products such as TV, radios, personal computers, phones or other wireless devices.
- This equipment can be powered only by equipment that complies with Power Source Class 2 (PS2) or Limited Power Source(LPS) defined in the standard of IEC 62368-1.
- This equipment shall be installed at a height of fewer than 2 meters when sticking to a clean wall.
- Doorbell Operating Temperature: -20 °C ~ 45°C (-4°F ~ 113°F)
- Chime Operating Temperature: 0 °C ~ 40°C (32°F ~ 104°F)

CAUTION!

Avoid replacement of a battery with an incorrect type that can defeat a safeguard.

Avoid disposal of a battery into fire or a hot oven, or mechanically crushing or cutting of a battery, that can result in an explosion.

Do not leave a battery in an extremely high temperature surrounding environment that can result in an explosion or the leakage of flammable liquid or gas.

Do not leave a battery subjected to extremely low air pressure that may result in an explosion or the leakage of flammable liquid or gas.

Please read and follow the above safety information when operating the device. We cannot guarantee that no accidents or damage will occur due to improper use of the device. Please use this product with care and operate at your own risk.

TP-Link hereby declares that the device is in compliance with the essential requirements and other relevant provisions of directives 2014/53/EU, 2009/125/EC, 2011/65/EU and (EU)2015/863. The original EU declaration of conformity may be found at <https://www.tapo.com/support/ce/>

TP-Link hereby declares that the device is in compliance with the essential requirements and other relevant provisions of the Radio Equipment Regulations 2017. The original UK declaration of conformity may be found at <https://www.tapo.com/support/ukca/>

For EU/UK Region:
Operating Frequency / Max Output Power:
2400MHz~2483.5MHz / 20dBm



?

Need some help?

Visit <https://www.tapo.com/support/> for technical support, the user guide, FAQs, warranty & more

