



Hall Technologies • 1234 Lakeshore Dr Suite #150 Coppell, TX 75019 • halltechav.com

## HT-SATELLITE-EXT

Add-on Microphone for the HT-CALIPSO all-in-one collaboration bar

### USER MANUAL

June 2, 2023



## Important Safety Instructions



1. Do not expose this apparatus to rain, moisture, dripping or splashing and that no objects filled with liquids, such as vases, shall be placed on the apparatus.



2. Do not install or place this unit in a bookcase, built-in cabinet or in another confined space. Ensure the unit is well ventilated.



3. To prevent risk of electric shock or fire hazard due to overheating, do not obstruct the unit's ventilation openings with newspapers, tablecloths, curtains, and similar items.



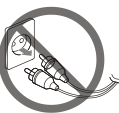
4. Do not install near any heat sources such as radiators, heat registers, stoves, or other apparatus (including amplifiers) that produce heat.



5. Do not place sources of open flames, such as lighted candles, on the unit.



6. Clean this apparatus only with dry cloth.



7. Unplug this apparatus during lightning storms or when unused for long periods of time.



8. Protect the power cord from being walked on or pinched particularly at plugs.



9. Only use attachments / accessories specified by the manufacturer.

10. Refer all servicing to qualified service personnel.

# Table of Contents

Introduction .....	4
Overview .....	4
Features.....	4
Package Contents .....	4
Product Views .....	5
Connectors & Indicators.....	6
Applications.....	7
Installation .....	8
Troubleshooting .....	8
Specifications .....	9

# Introduction

---

## OVERVIEW

The HT-SATELLITE-EXT is an add-on microphone for the HT-CALIPSO all-in-one meeting collaboration bar to extend pickup distance. It is ideal for huddle rooms, small and medium conference rooms.

## FEATURES

- Quick and easy connection using the included USB to RJ45 adapter.
- Powerful Mic array with omni-directional pickup, unique automatic echo cancellation (AEC), automatic noise suppression (ANC), and automatic gain control (AGC).
- Four built-in microphones with a coverage range of 3~5 meters (10~16ft).
- Clear audio for up to 6 participants.
- Cascade up to three HT-SATELLITE-EXT for extending pickup range.
- Microphone mute button with LED feedback.

## PACKAGE CONTENTS

- 1 x Microphone
- 1 x USB-Mini Cable, 7m
- 1 x USB-Mini to RJ45 cable converter pair (2 x RJ45 dongles)
- 1 x Ceiling mount

# Product Views

---

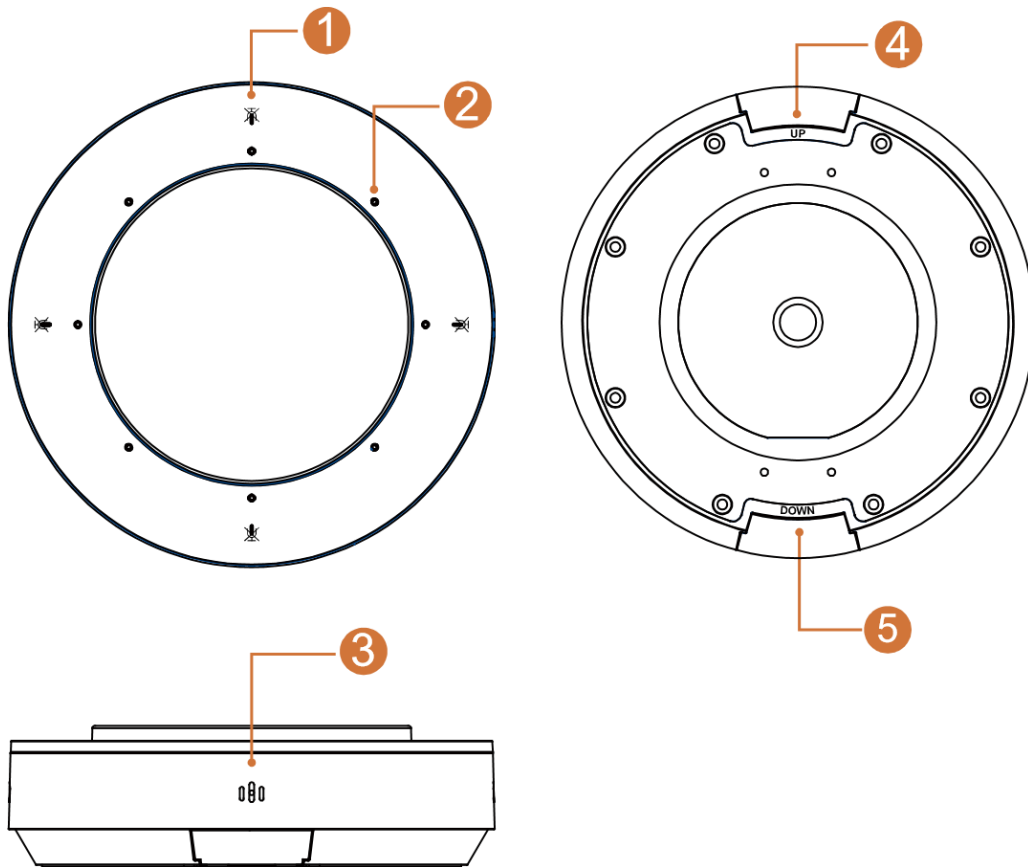
## TOP VIEW




## BOTTOM VIEW



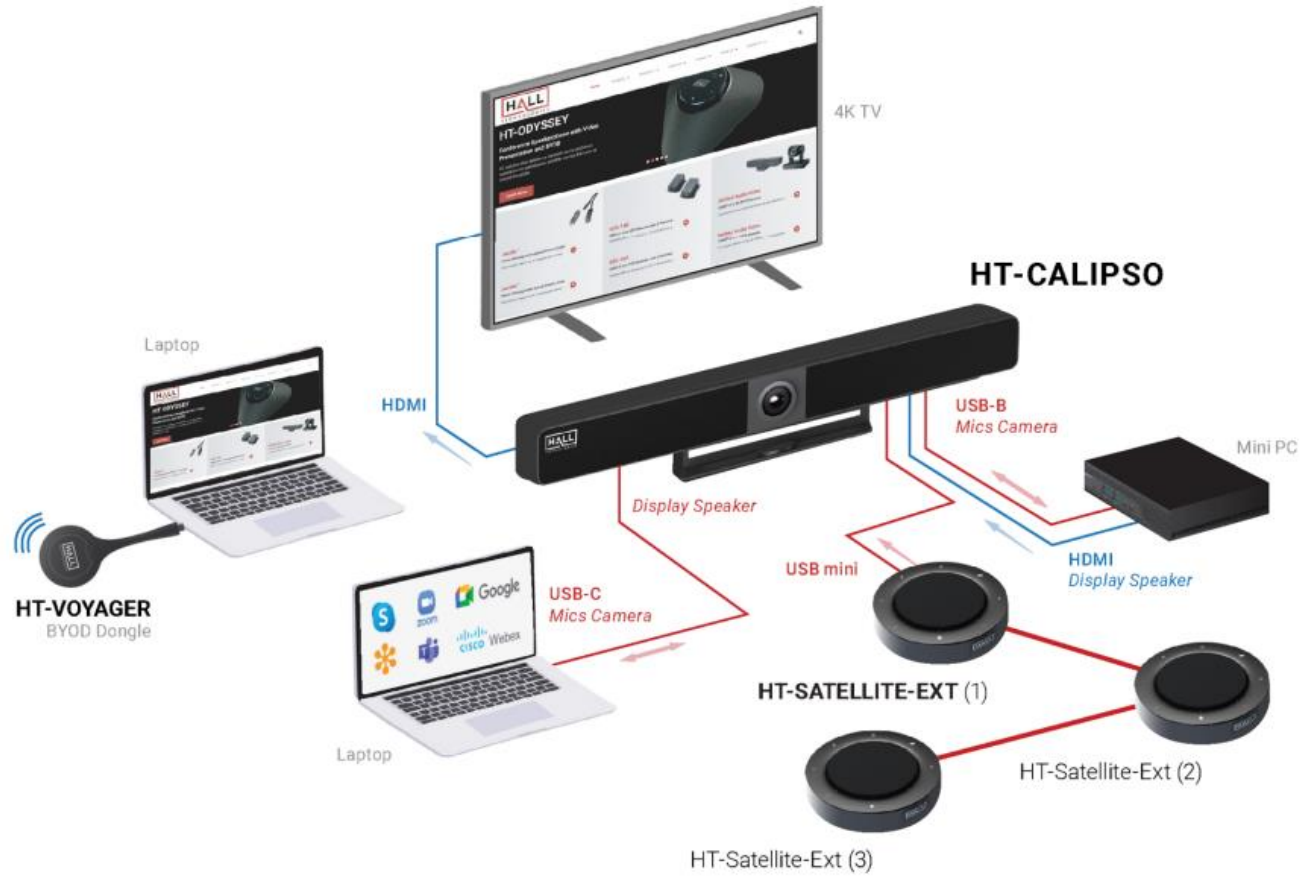
# Connectors & Indicators



ID	Name	Description
1		4 x Mute/Unmute buttons. Press any of these buttons to mute or unmute all microphones, including the HT-CALIPSO built-in microphone.
2	Status LED	<ul style="list-style-type: none"> <li>• <b>4 x LEDs next to the mute buttons solid white:</b> the microphone is working properly.</li> <li>• <b>4 x LEDs next to the mute buttons blinking white:</b> the microphone is being upgraded.</li> <li>• <b>3 x LEDs in the sound source direction solid blue:</b> the microphone is picking up sound in that area.</li> <li>• <b>All LEDs solid red:</b> the microphone is muted.</li> </ul>
3	Microphone	4 x omnidirectional microphone arrays for picking up audio
4	UP	Output connection to the HT-CALIPSO bar or the next HT-SATELLITE-EXT upstream towards the HT-CALIPSO bar.
5	DOWN	Connect the next HT-SATELLITE-EXT microphone to extend coverage

# Application

---



# Setup

---

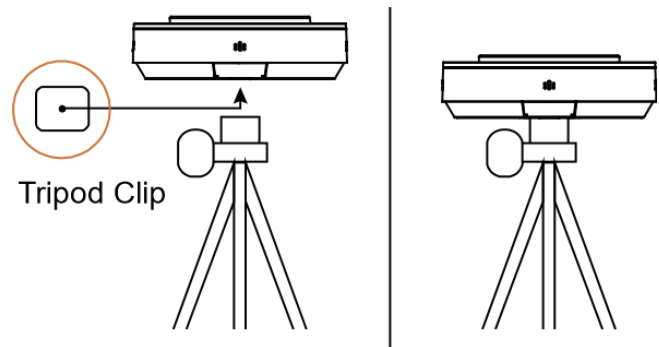
## INSTALLATION

**Note:** Before installation, please ensure the device is disconnected from the power source.

The device can be placed on the desk or be installed on a tripod.

To install the device on a tripod:

1. Screw the tripod's clip into the ¼" thread hole at the device's bottom.
2. Secure the device along with the clip on the tripod, adjust them to a position and height you desire.



## Troubleshooting

---

1. Microphone LEDs do not light up
  - a. Verify the mini USB is firmly connected on the HT-CALIPSO bar and the HT-SATELLITE-EXT.
  - b. Verify the first microphone connected directly into the HT-CALIPSO bar is connected in the UP side and that the next daisy-chained microphone is connected to the DOWN side of the first microphone to the UP side of the next microphone.
  - c. Verify no more than three total HT-SATELLITE-EXT microphones are connected
  - d. Verify the HT-CALIPSO is properly powered



# Specifications

---

Technical	
Input/Output	Mini USB
Microphones	4 Digital MEMs Microphone Array, pick-up range: 3~5m
Communication	Mini USB

General	
Operating Temperature	0°C to 40°C (32°F to 104°F)
Storage Temperature	-20°C to 60°C (-4°F to 140°F)
Humidity	10% to 90%, non-condensing
Power Supply	Powered by HT-CALIPSO bar
Power Consumption	1.5W (Max)
Device Dimension (W x H)	123.01mm x 36mm / 4.84" x 1.42"
Product Net Weight	.29kg/0.638lbs



© Copyright 2022. Hall Technologies  
All rights reserved.

1234 Lakeshore Drive, Coppell, TX 75019  
halltechav.com / support@halltechav.com  
(714)641-6607