

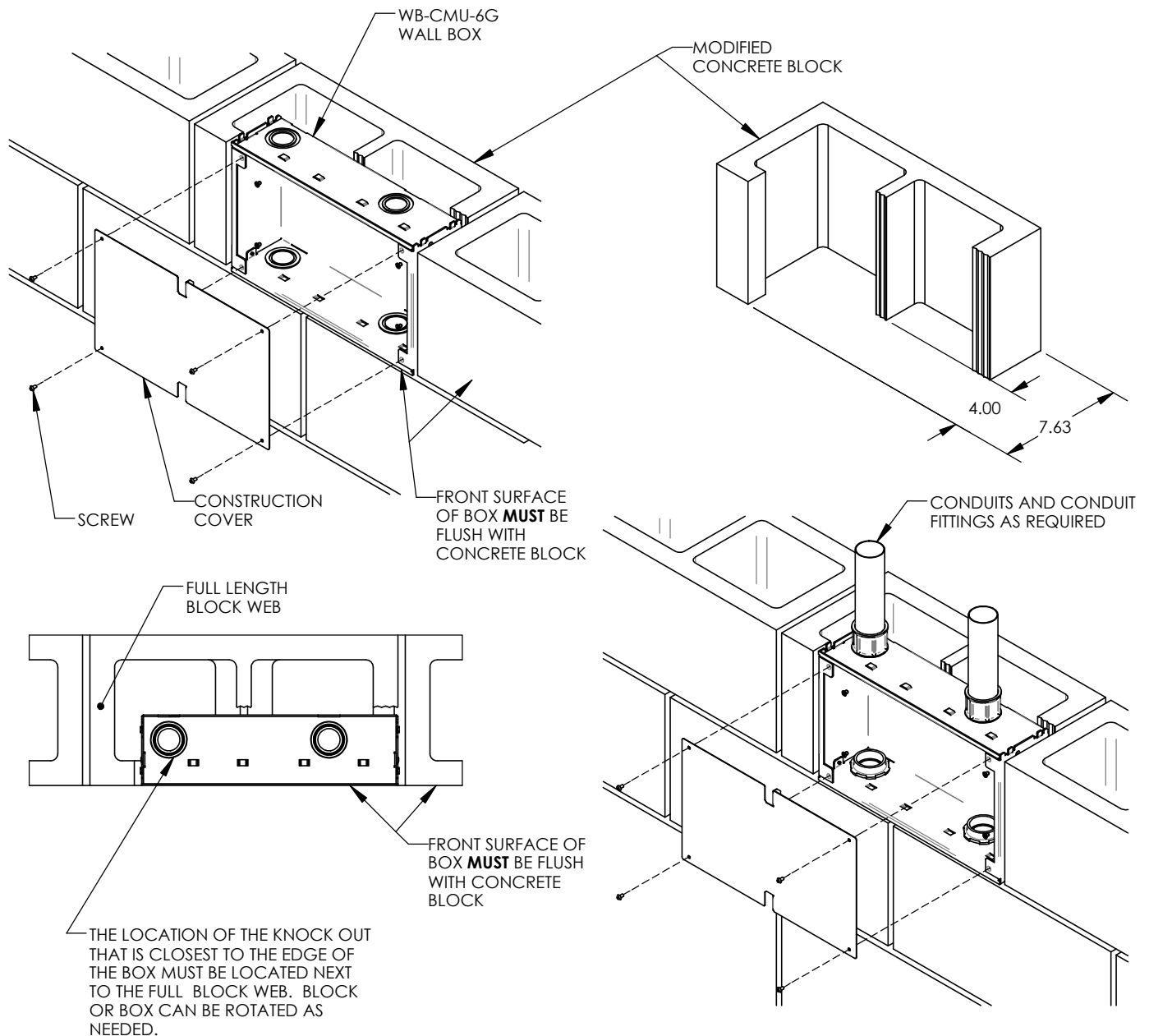
# FSR WB-CMU-6G Box Installation Instructions

244 Bergen Boulevard, Woodland Park, NJ 07424, Phone: 973.785.4347 - FAX 973.785.4207

## WALL BOX INSTALLATION

1. REMOVE CONSTRUCTION COVER FROM BOX. INSERT CONDUIT FITTINGS AND CONDUIT INTO BOX. RE-INSERT CONSTRUCTION COVER WITH SUPPLIED HARDWARE BEFORE ANY MORTAR IS APPLIED TO THE BOX.
2. A MODIFIED CONCRETE BLOCK WILL NEED TO BE CUT AS SHOWN BELOW.
3. PLACE THE WALL BOX ON THE BLOCK WALL, ENSURING THE FRONT SURFACE OF THE WALL BOX IS FLUSH WITH CONCRETE BLOCK WALL. ENSURE MORTAR IS APPLIED TO TOP, BOTTOM, SIDES AND ALL BLOCK WEBS. ALL SEAMS AROUND THE WALL BOX SHOULD BE FILLED WITH MORTAR.

**NOTE\*\*** IT IS IMPORTANT THAT THE CONSTRUCTION COVER IS INSTALLED ON WALL BOX PRIOR TO PLACING THE WALL BOX ON THE BLOCK WALL AND BEFORE ANY CONCRETE BLOCKS ARE PLACED ABOVE THE UNIT.



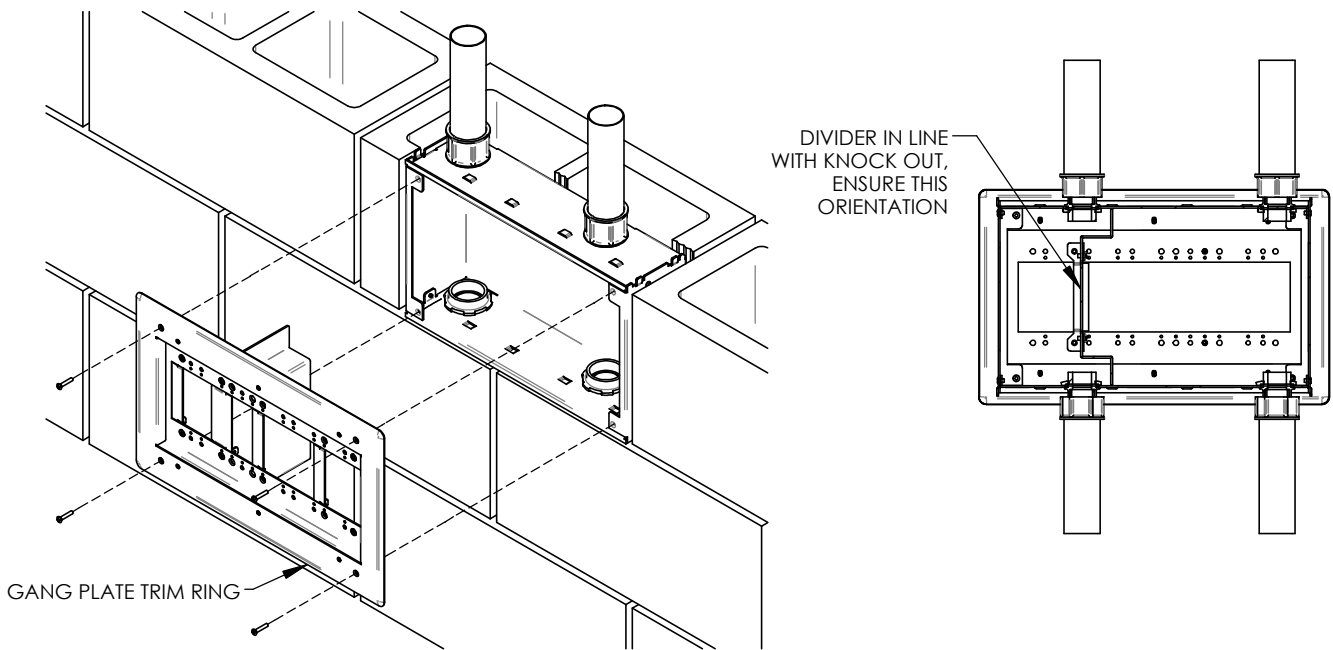
# FSR WB-CMU-6G Box Installation Instructions

244 Bergen Boulevard, Woodland Park, NJ 07424, Phone: 973.785.4347 - FAX 973.785.4207

## ELECTRICAL INSTALLATION

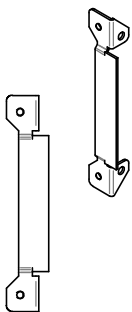
1. DISCARD CONSTRUCTION COVER AND HARDWARE, CURRENTLY MOUNTED ON WALL BOX.
2. GANG PLATE TRIM RING IS CONFIGURABLE IN MULTIPLE GANG PLATE CONFIGURATIONS, AND CAN BE ROTATED 180°. ASSEMBLE GANG PLATE TRIM RING USING THE GANG SPACER, DIVIDER HOLDER, AND DIVIDER PROVIDED, AS NOTED ON PAGE 3 & 4. DIVIDER NEEDS TO BE POSITIONED ON THE DIVIDER HOLDER, IN AN ORIENTATION THAT WILL NOT INTERFERE WITH KNOCK OUT AND CONDUIT. THE INTERNAL FACE OF THE DIVIDER SHOULD ALWAYS FACE THE CENTER PLANE OF THE BOX. SEE ILLUSTRATION BELOW.
3. AFTER THE GANG PLATE TRIM RING IS ASSEMBLED IN THE CORRECT GANG PLATE CONFIGURATION WITH A DIVIDER IF NECESSARY, INSTALL THE GANG PLATE TRIM RING ASSEMBLY INTO THE FIXED WALL BOX. ENSURE THE DIVIDER IS IN THE CORRECT ORIENTATION TO THE KNOCK OUT, **BEFORE** FULLY INSERTING THE ASSEMBLY INTO THE WALL BOX. INSERT HARDWARE PROVIDED TO MOUNT THE GANG PLATE TRIM RING ONTO THE WALL BOX
4. WIRE AS NECESSARY, ENSURING GROUND SCREWS ARE CONNECTED AT BACK OF BOX. INSTALL DEVICES AND WALL PLATES AS NEEDED.

NOTICE: FOR INSTALLATION BY A QUALIFIED ELECTRICIAN IN ACCORDANCE WITH ALL NATIONAL AND LOCAL ELECTRICAL CODES.

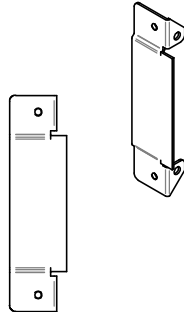


### GANG SPACER / DIVIDER HOLDER PLATES

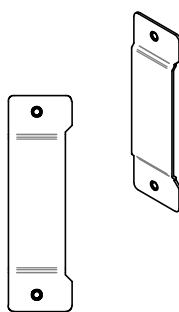
Small Divider Holder -  
P/N - 55639



Medium Divider Holder -  
P/N - 54287

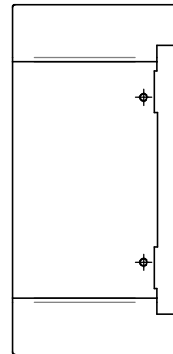


Medium Gang Spacer -  
P/N - 55865

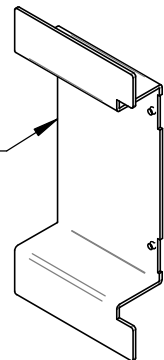


### Divider

Divider -  
P/N - 51174



Internal Face -  
This face will  
always be facing  
the Center plane  
of the Box



# FSR WB-CMU-6G Box Installation Instructions

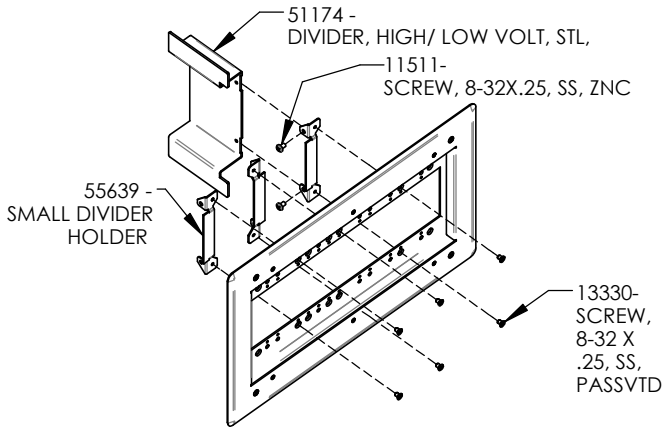
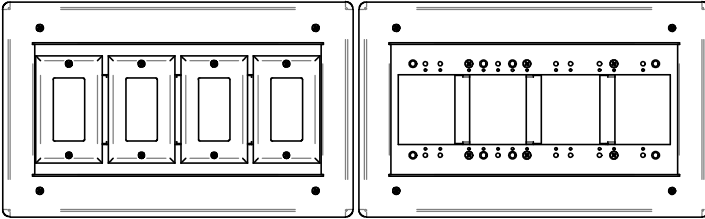
244 Bergen Boulevard, Woodland Park, NJ 07424, Phone: 973.785.4347 - FAX 973.785.4207

## GANG PLATE CONFIGURATIONS

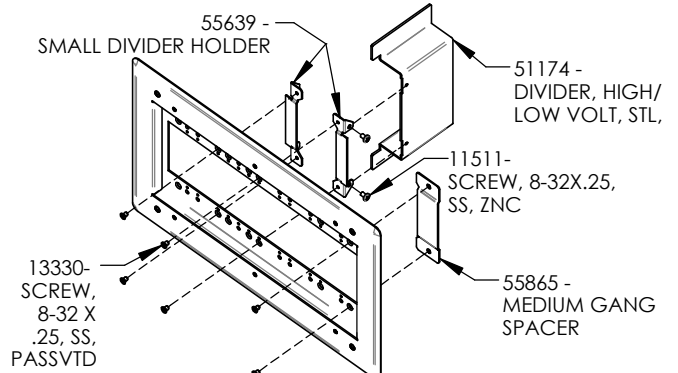
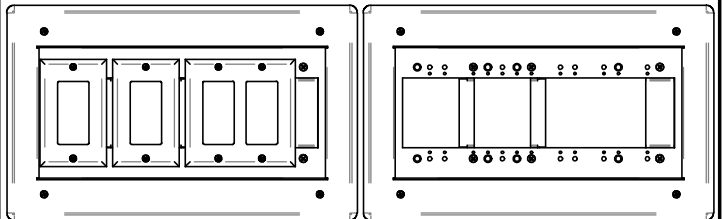
- GANG PLATE TRIM RING ASSEMBLY CAN BE ROTATED 180° FOR REVERSED APPLICATIONS. NOTATE THE ORIENTATION OF THE DIVIDER HOLDERS' FLANGES, IN THE ILLUSTRATIONS BELOW. THIS IS IMPORTANT TO THE ASSEMBLY OF THE GANG PLATE TRIM RING.

NOTICE: FOR INSTALLATION BY A QUALIFIED ELECTRICIAN IN ACCORDANCE WITH ALL NATIONAL AND LOCAL ELECTRICAL CODES

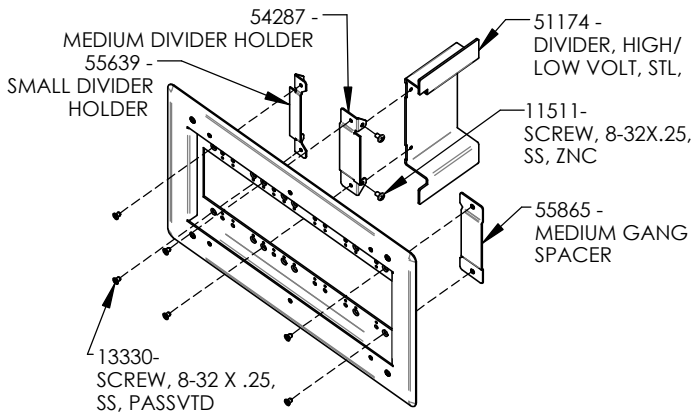
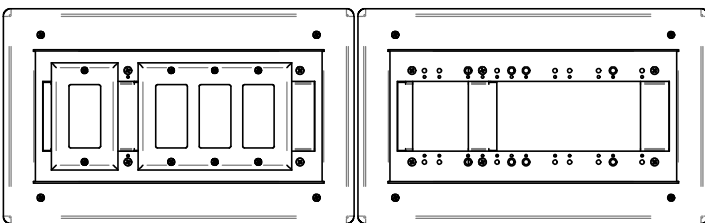
### Four Single Gang Plates



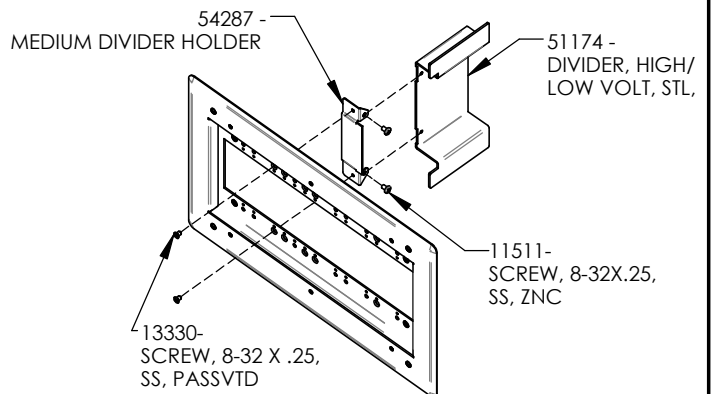
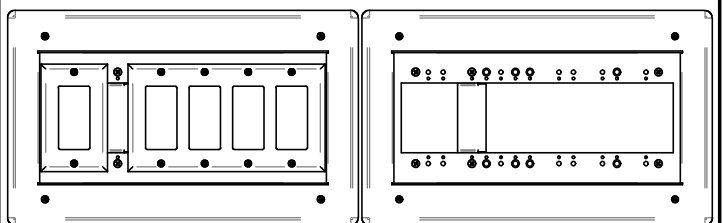
### Two Single Gang and One 2-Gang Plate



### One Single Gang and One 3-Gang Plate



### One Single Gang and One 4-Gang Plate



# FSR WB-CMU-6G Box Installation Instructions

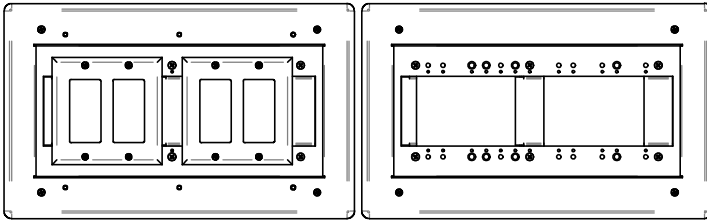
244 Bergen Boulevard, Woodland Park, NJ 07424, Phone: 973.785.4347 - FAX 973.785.4207

## GANG PLATE CONFIGURATIONS

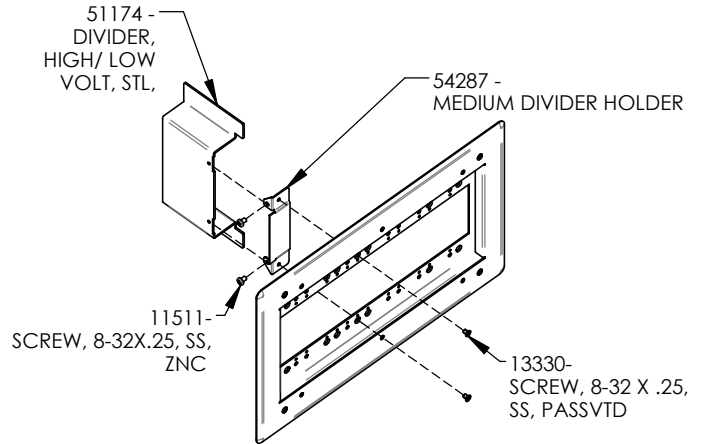
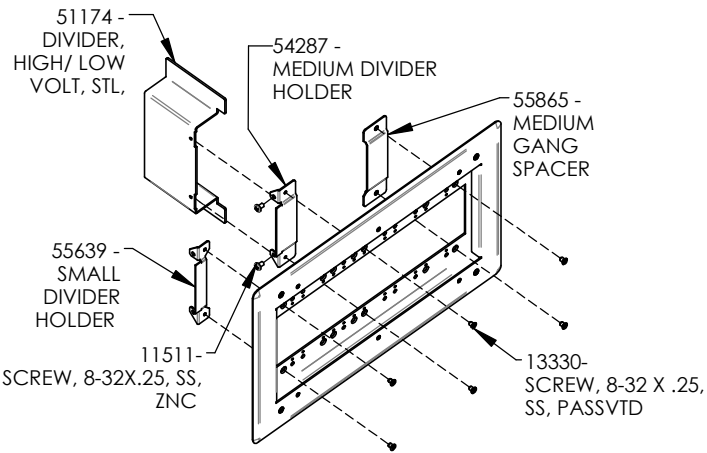
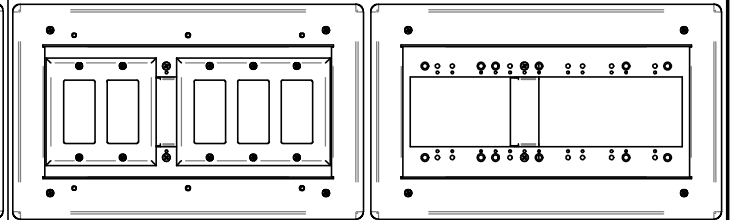
1. GANG PLATE TRIM RING ASSEMBLY CAN BE ROTATED 180° FOR REVERSED APPLICATIONS. NOTATE THE ORIENTATION OF THE DIVIDER HOLDERS' FLANGES, IN THE ILLUSTRATIONS BELOW. THIS IS IMPORTANT TO THE ASSEMBLY OF THE GANG PLATE TRIM RING.

NOTICE: FOR INSTALLATION BY A QUALIFIED ELECTRICIAN IN ACCORDANCE WITH ALL NATIONAL AND LOCAL ELECTRICAL CODES

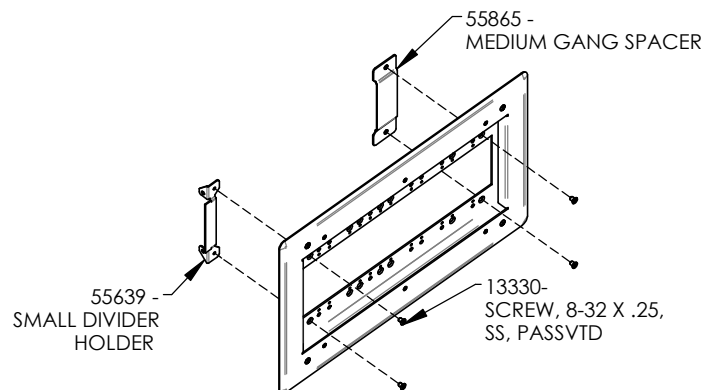
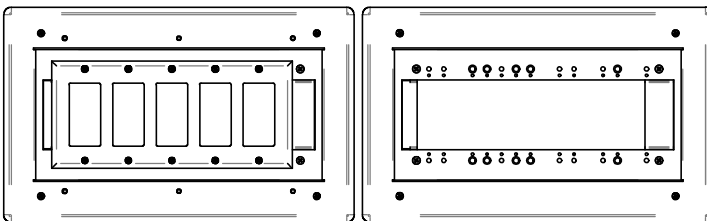
### Two 2-Gang Plates



### One 2-Gang and One 3-Gang Plate



### One 5-Gang Plate



### One 6-Gang Plate

