



Antec, Inc. is the global leader in high-performance computer components and accessories for the gaming, PC upgrade and Do-It-Yourself markets.

Founded in 1986, Antec is recognized as a pioneer in the industry and has maintained its position as a worldwide market leader and international provider of quiet, efficient and innovative products.

Antec has also achieved great success in the distribution channel, meeting the demands of quality-conscious system builders, VARs and integrators.

---

## P.2 CONTENTS AND ACCESSORIES

Inhalt Und Zubehör | Contenu Et Accessoires | Contenuto E Accessori | Contenido Y Accesorios | 商品与配件 | 内容物與配件 | 내용을 및 부속품 | 内容と付属品

---

## P.4 PRODUCT INTRODUCTION

Produktübersicht | Introduction Au Produit | Introduzione Del Prodotto | Presentación Del Producto | 產品介紹 | 產品介紹 | 제품 소개 | 商品紹介

---

## P.10 INSTALLATION GUIDE

Installationsanleitung | Guide D'installation | Guida All'istallazione | Guía De Instalación | 安裝指南 | 安裝指南 | 설치 안내 | 設置のガイド

---

## P.34 ANTEC IUNITY SOFTWARE GUIDE

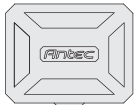
Antec iUnity Software Guide | Guide logiciel du Antec iUnity | Guida al software iUnity di Antec | Guía Software De Antec iUnity | 安钛克 iUnity軟體指南 | 安钛克 iUnity软件指南 | Antec iUnity 소프트웨어 가이드 | ANTEC iUnity 소프트웨어

# CONTENTS AND ACCESSORIES

## I ACCESSORY BOX CONTENTS

Packungsinhalt | Contenu de l'Emballage | Contenuto della confezione | Contenido del paquete | 配件盒内容物 | 产品 | 포장 내용물 | パッケージの内容

### A Tool Box



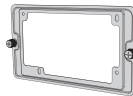
**\*1**

### B Cable Tie



**\*5**

### C Power Supply Bracket



**\*1**

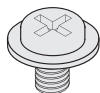
### D PSU Shroud Cover



**\*2**

## Toolbox Contents

**E** Motherboard Screws/  
2.5" SSD Screws



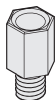
**\*26**

**F** Power Supply Screws



**\*4**

**G** Standoffs



**\*3**

**H** 3.5" HDD Screws



**\*8**

**I** Standoff Mounting Tool



**\*1**

**J** Fan Screws



**\*12**

**K** PSU Extension  
Cable Screws



**\*2**

**L** PSU Shroud  
Cover Screws

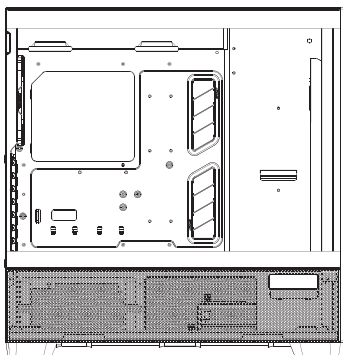
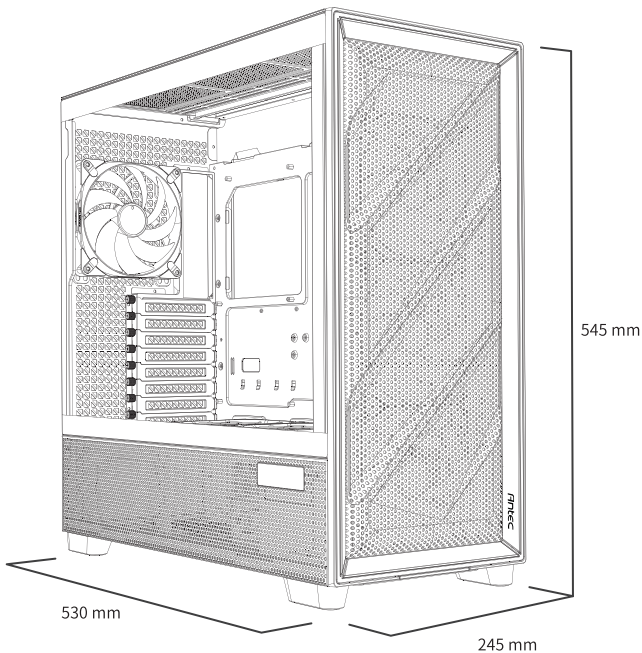


**\*4**

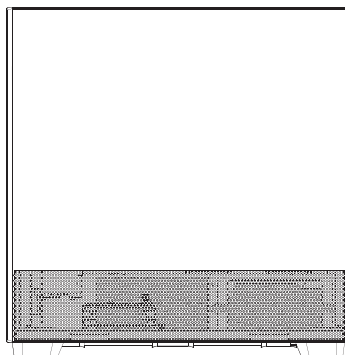
# PRODUCT INTRODUCTION

## 1 CASE OVERVIEW

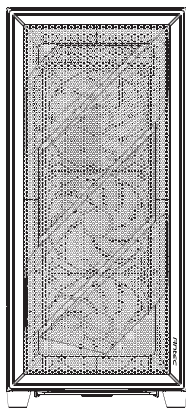
Gehäuseübersicht | Vue d'Ensemble du Boitier | Vista generale del contenitore | Información de la caja | 机箱概述 | 产品特点 |  
케이스 개요 | 케이스概要



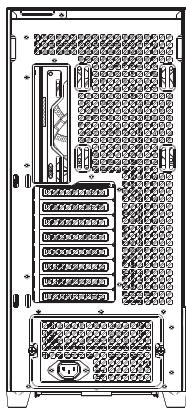
Left Side



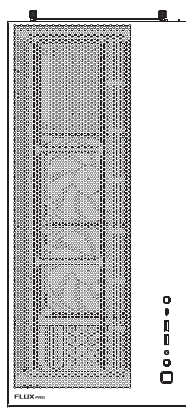
Right Side



Front



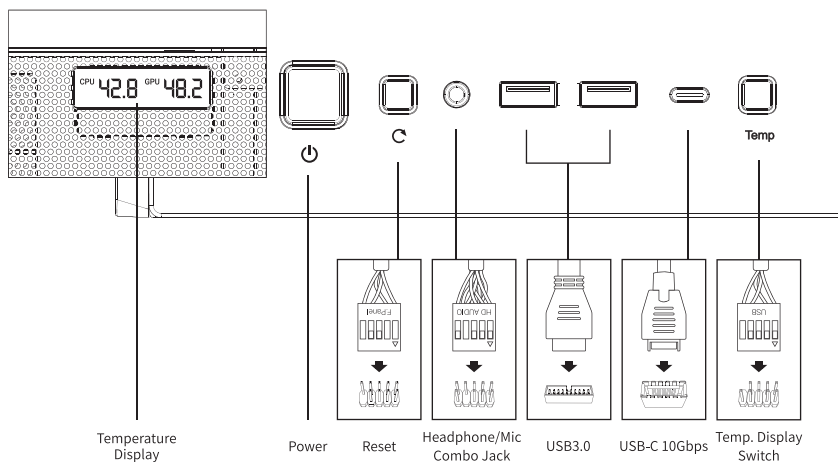
Rear



Top

## 2 I/O PANEL

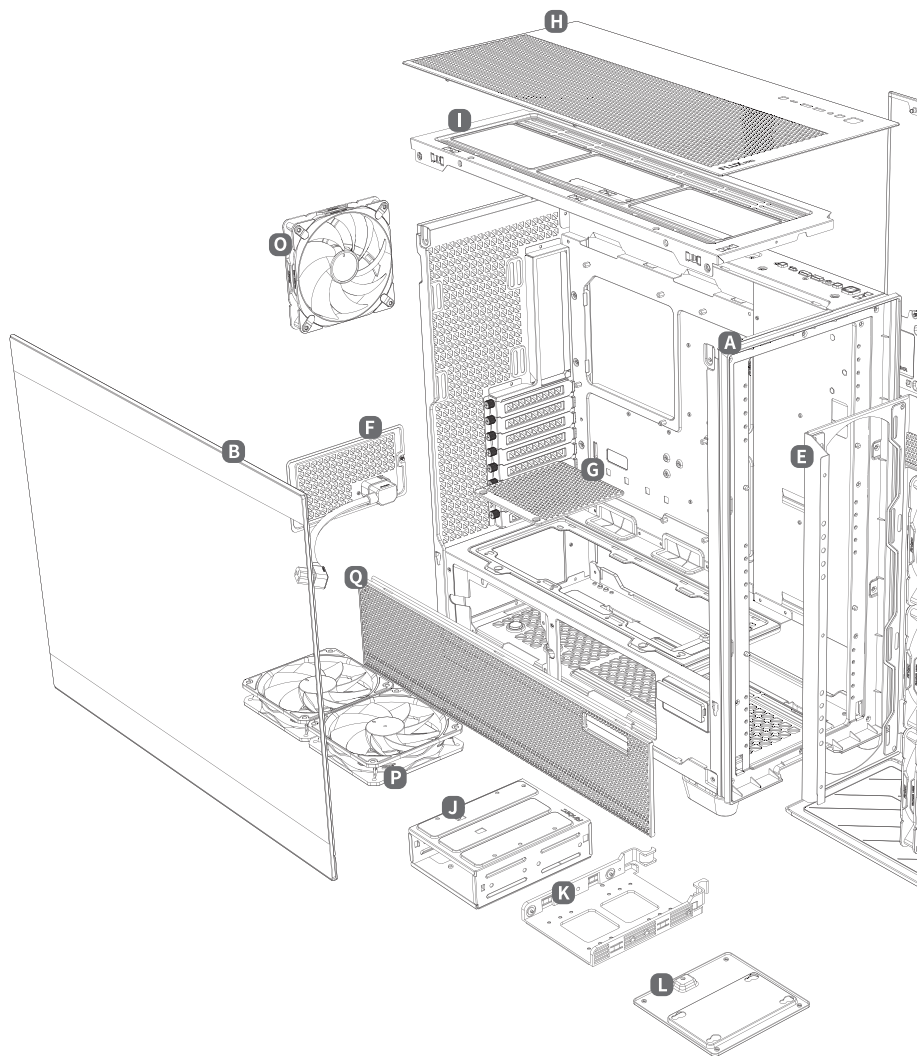
Anschlüsse und Tasten | Connecteurs et Boutons | Connettori e pulsanti | Conectores y botones | I/O接口 | I/O端口 | 커넥터 및 버튼 | コネクタとボタン



# PRODUCT INTRODUCTION

## 3 PARTS

Komponenten | Pièces | Parti | Partes | 機箱結構 | 机箱结构 | 부품 | 部品



## A Case Body

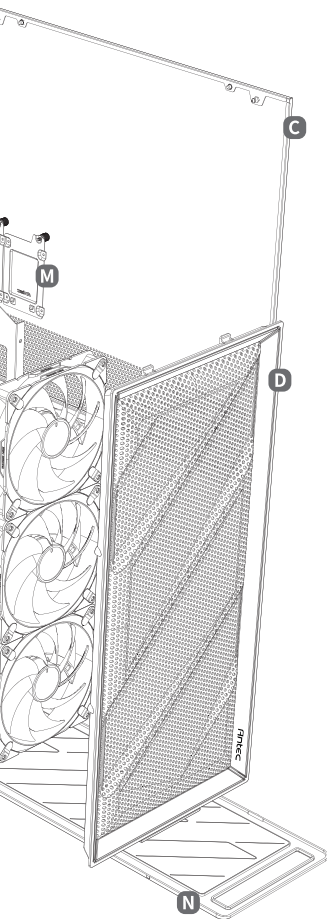
Gehäuse | Corps du Boîtier | Corpo contenitore | Cuerpo de la caja | 机箱結構 | 机箱 | 케이스 본체 | 케이스 본체

## B Side Tempered Glass Panel

Seitliche Platte aus gehärtetem Glas | Panneau Latéral en Verre Trempé | Pannello laterale in vetro temperato | Panel lateral de cristal templado | 側面钢化玻璃面板 | 钢化玻璃側面板 | 측면 강화 유리 패널 | 사이드 강화글라스 패널

## C Side Panel

Seitliche Platte | Panneau latéral | Pannello laterale | Panel lateral | 側板 | 側板 | 사이드 패널 | 사이드 패널



## D Steel Mesh Front Panel

Frontplatte aus Stahlgeflecht | Panneau avant en treillis d'acier | Pannello frontale in rete d'acciaio | Panel frontal de malla de acero | 鐵網前面板 | 鉄網前面板 | 스틸 메쉬 전면 패널 | 스틸 메쉬프론트패널

## E Cooling Bracket

Kühlhalterung | Support de refroidissement | Staffa di raffreddamento | Soporte de enfriamiento | 散熱支架 | 散熱支架 | 냉각 브라켓 | 冷却ブラケット

## F PSU Side Mount Cover

Seitliche Netzteil-Montageabdeckung | Couverture de montage latéral du bloc d'alimentation | Copercchio per montaggio laterale dell'alimentatore | Cubierta de montaje lateral de la fuente de alimentación | 側置電源蓋 | 側置電源蓋 | PSU 측면 마운트 커버 | PSU 사이드 마운트 커버

## G PSU Shroud Cover

Netzteil-Abdeckung | Couverture de protection du bloc d'alimentation | Copertura protettiva dell'alimentatore | Cubierta protectora de fuente de alimentación | 電源倉蓋 | 電源倉蓋 | PSU 슈라우드 커버 | PSU 슈라우드 커버

## H Top Panel

Panel oben | Panneau haut | Pannello superiore | Panel de Arriba | 上面板 | 上面板 | 상단 패널 | 톱판패널

## I Removable Top Cooling Bracket

Abnehmbare obere Kühlerhalterung | Support amovible système de refroidissement haut | Staffa di raffreddamento superiore rimovibile | Bracket Extraíble de Refrigeración de Arriba | 上方可拆式散熱器支架 | 上方可拆式散熱器支架 | 제거 가능 상단 쿨링 브라켓 | 着脱式의水冷브라켓

## J Hard Drive Cage

Festplattenkäfig | Cage de disque dur | Gabbia per disco rigido | Jaula para disco duro | 硬碟籠 | 硬碟籠 | 하드 드라이브 케이지 | 하드 드라이브케이지

## K HDD / SSD Tray

HDD / SSD-Fach | Plateau HDD / SSD | HDD / SSD Tray | Bandeja HDD/SSD | HDD/SSD 硬碟架 | 复合式 硬碟架 | HDD / SSD 트레이 | HDD / SSD 트레이

## L SSD Tray (can be mounted on any 120mm fan position)

SSD-Fach (kann an jeder 120-mm-Lüfterposition montiert werden) | Plateau SSD (peut être monté sur n'importe quelle position de ventilateur de 120 mm) | SSD Tray (può essere montato su qualsiasi posizione della ventola da 120 mm) | Bandeja SSD (se puede montar en cualquier posición de ventilador de 120 mm) | SSD 托盤 (兼容 120mm 風扇孔位) | SSD 硬碟架 (兼容 120mm 風扇孔位) | SSD 트레이 (120mm 팬 위치에 장착 가능) | SSD 트레이 (120mm 팬의 任意의 位置에 取り付け 可能)

## M 2.5" SSD (Solid-State Drive) Tray

2,5-Zoll-SSD-Einschub (Solid-State Drive) | Plateau SSD 2,5" | Tray SSD da 2,5" | Bandeja de 2,5" SSD (Solid-State Drive) | 2.5吋 SSD 硬碟架 | 2.5吋 SSD 硬碟架 | 2.5 인치 SSD 트레이 | 2.5" SSD 트레이

## N Bottom Dust Filter

Unterer Staubfilter | Filtre à poussière de bas | Filtro antipolvere inferiore | Filtro de Polvo de Abajo | 底部濾網 | 底部濾網 | 하단 먼지 필터 | 포트 필터

## O Tranquil 140mm PWM Fan

Tranquil 140mm PWM-Lüfter | Ventilateur Tranquil 140mm PWM | Ventola PWM Tranquil da 140mm | Ventilador Tranquil 140mm PWM | Tranquil 140mm PWM 風扇 | Tranquil 140mm PWM 風扇 | Tranquil 140mm PWM 팬 | Tranquil 140mm PWM 팬

## P P12 Reverse PWM Fan

P12 Reverse-PWM-Lüfter | Ventilateur P12 PWM inversé | P12 Ventola PWM inversa | Ventilador P12 Reverse PWM | P12R PWM 反葉風扇 | P12R PWM 反叶風扇 | P12 역방향 PWM 팬 | P12 逆回転PWM팬

## Q Steel Mesh Left Panel

Linkes Stahlgeflechtpaneel | Panneau gauche en treillis d'acier | Pannello sinistro in rete d'acciaio | Panel izquierdo de malla de acero | 左側鐵網面板 | 左側鐵網面板 | 강철 메쉬 왼쪽 패널 | 스틸 메쉬 왼쪽패널

# PRODUCT INTRODUCTION

## 4 CASE SPECIFICATIONS

Gehäusespezifikationen | Caractéristiques du Boitier | Specifiche del contenitore | Especificaciones de la caja | 機箱規格 | 机箱规格 | 케이스 사양 | 케이스仕様

### General

Form Factor	Full Tower
Material(s)	Steel + Plastic + Glass +Wood
Side Panel Type	4mm Tempered Glass
Access & Controls	Power, Reset, USB 3.0 x 2, Type-C 10Gbps x 1, Headphone/ Mic Combo Jack, Temp. Display Switch x 1
Dimensions	530 x 245 x 545 mm (DWH)

### Compatibility & Clearances

Mainboard Support	E-ATX(≤285mm), ATX, Micro-ATX, ITX
Max PSU Length(Include cable)	(Include cable) ≤ 180/300mm(with HDD) (Include cable) ≤ 470mm(without HDD) (Not Include cable) ≤ 180mm(Side mount)
Max CPU Cooler Height	≤ 190mm
Max GPU Length	≤ 455mm
Radiator (Front)	120/140/240/280/360/420mm
Radiator (Top)	120/140/240/280/360/420mm
Radiator (Power Supply Shroud)	120/240/360mm
Radiator (Bottom)	120/240mm
Radiator (Rear)	120/140mm

### Expansion Slots & Drive Bays

Expansion Slots	8
3.5" / 2.5"	4 / 4
2.5"	2

### Cooling

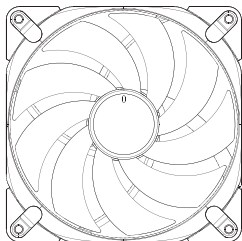
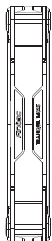
Front	3 x 120mm / 3 x 140mm
Top	3 x 120mm / 3 x 140mm
Power Supply Shroud	3 x 120mm
Bottom	2 x 120mm / 2 x 140mm
Rear	1 x 120mm / 1 x 140mm
Included Fan(s)	3 x 140mm Tranquil PWM fans in front + 2 x 120mm P12 Reverse PWM fans on PSU shroud + 1 x 140mm Tranquil PWM fan in rear
Dust Filter	Bottom



## 5 FAN SPECIFICATIONS

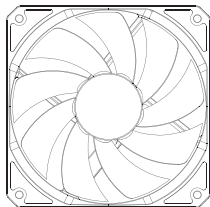
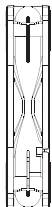
Lüfterspezifikationen | Spécifications ventilateur | Specifiche della ventola | Especificaciones Del Ventilador | 風扇規格 | 風扇規格 | 팬 상세 스펙 | ファンの仕様

### [A] Tranquil 140mm PWM Fan



Fan Type :	PWM Fan
Fan Speed :	450±100~1500±150 RPM
Rated Voltage :	DC 12 V
Operating Voltage :	DC 7~13.8 V
Rated Current :	0.12 A (MAX : 0.18 A)

### [B] P12 Reverse PWM Fan

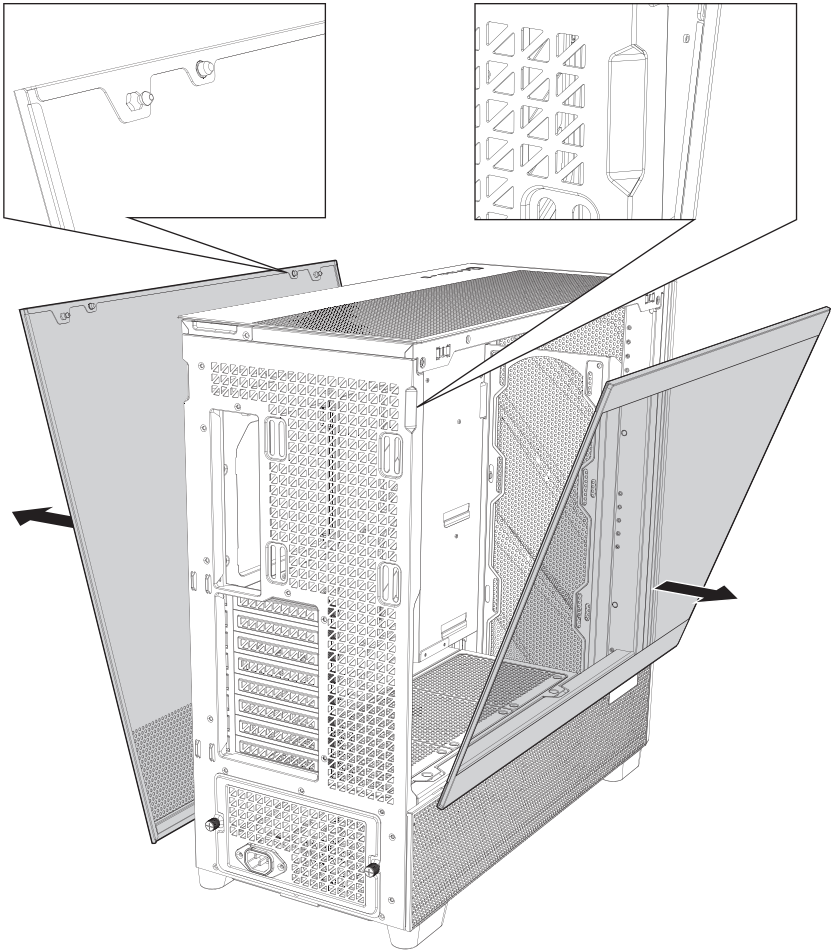


Fan Type :	PWM Fan
Fan Speed :	600±200~1500±200 RPM
Rated Voltage :	DC 12 V
Operating Voltage :	DC 7~13.8 V
Rated Current :	0.11 A (Max: 0.22)

# INSTALLATION GUIDE

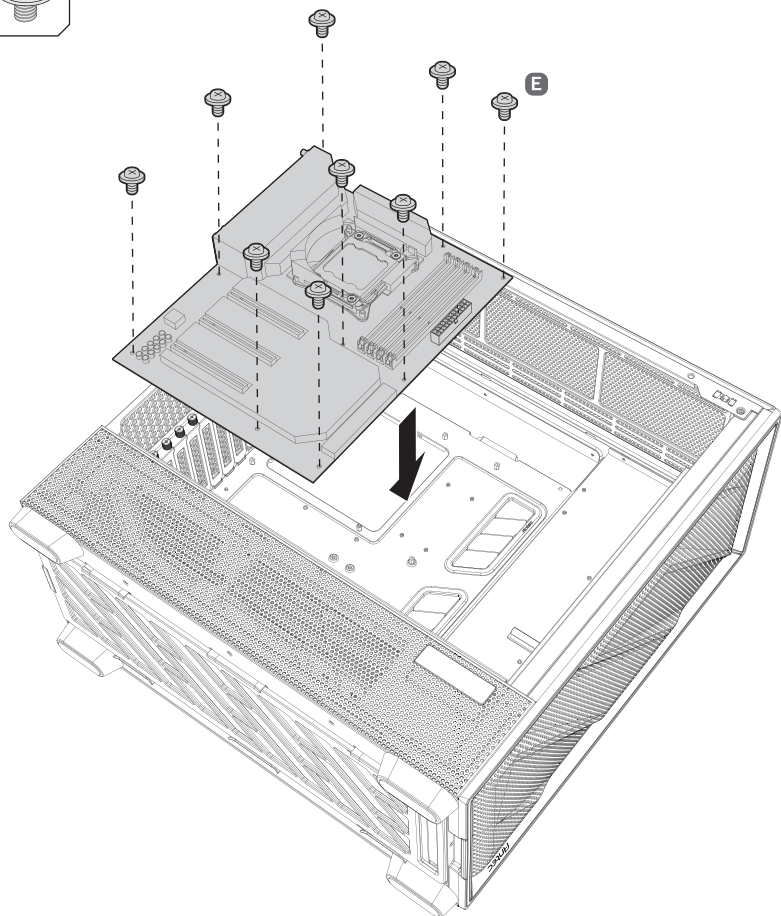
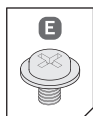
## I REMOVE SIDE PANEL

Seitenwand abnehmen | Retirer les Panneaux Latéraux | Rimozione del pannello laterale | Extracción de panel lateral | 拆除側面板 | 拆除側板 | 측면 패널 제거 | 側面のパネルを外す



## 2 MOTHERBOARD INSTALLATION

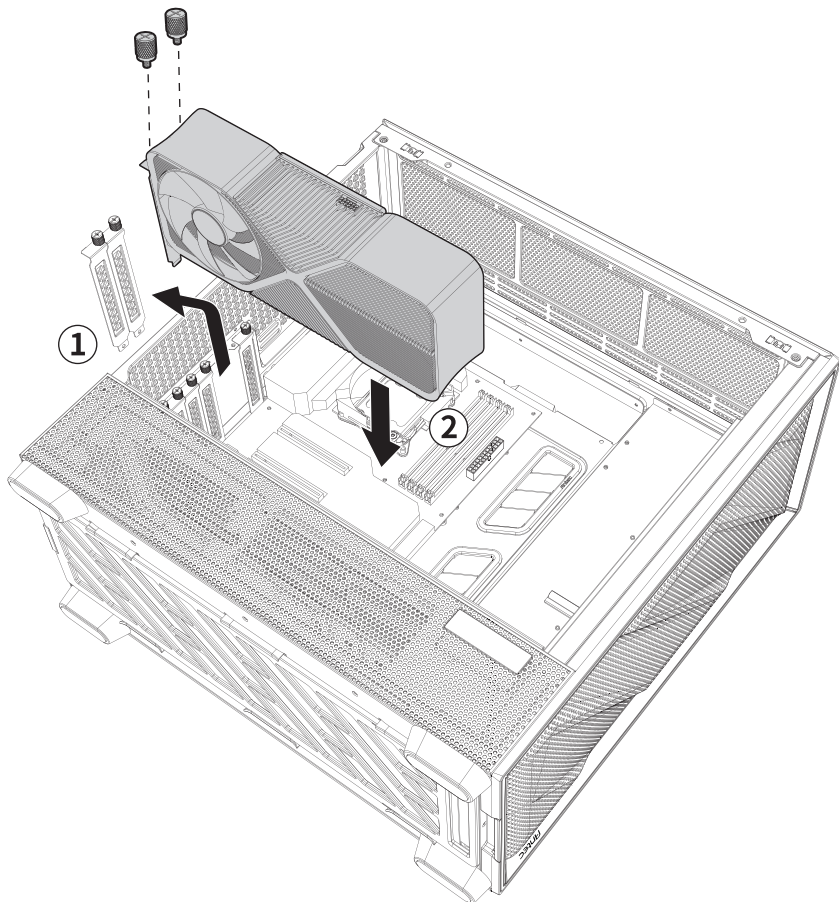
Installation der Hauptplatine | Installation de la Carte-Mère | Installazione della scheda madre | Instalación de placa base | 安裝主機板 | 安裝主板 | 메인보드 설치 | 마ザー보드設置



# INSTALLATION GUIDE

## 3 VGA / PCI-EXPRESS CARD INSTALLATION

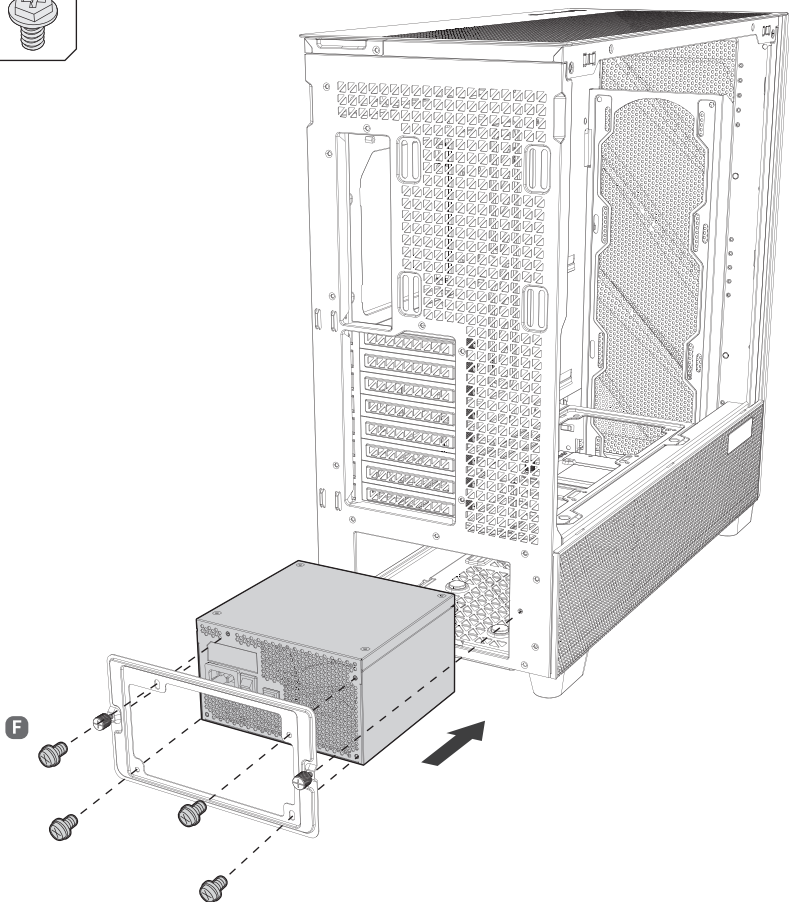
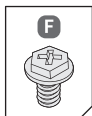
Installation der VGA/PCI-Express-Karte | Installation de la Carte Graphique | Installazione della scheda VGA / PCI-Express |  
Instalación de tarjeta VGA/PCI-Express | 安裝VGA/PCI-E卡 | 安裝VGA/PCI-E显卡 | VGA / PCI-익스프레스 카드 설치 | VGA / PCI-E카드  
의設置



## 4 POWER SUPPLY INSTALLATION

Installation des Netzteils | Installation du Bloc d'Alimentation | Installazione dell'alimentatore di rete | Instalación de fuente de alimentación | 安裝電源供應器 | 安裝電源 | 파워 서플라이 설치 | 電源設置

### [A] REAR MOUNT

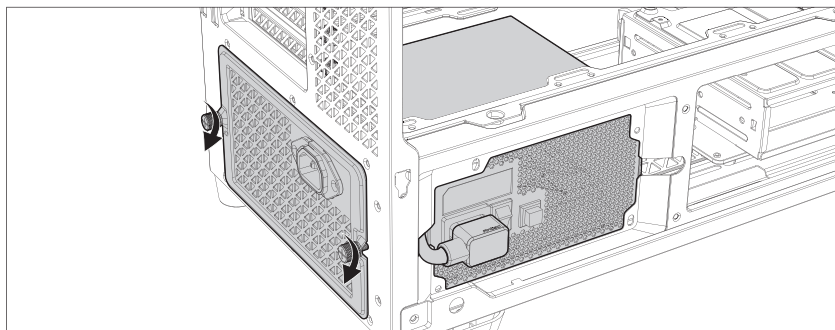
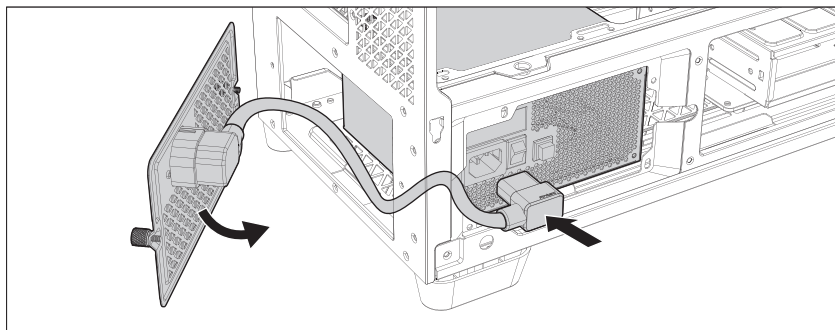
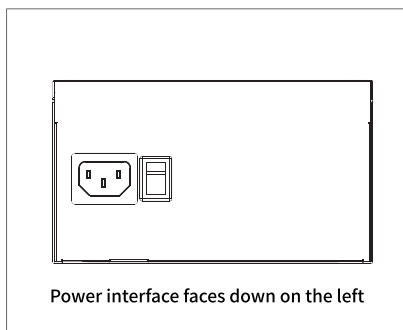
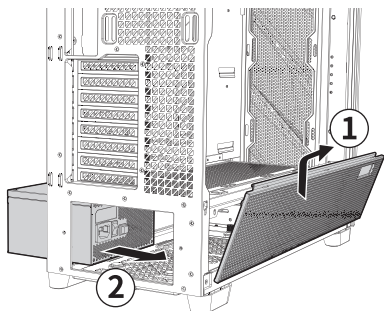


# INSTALLATION GUIDE

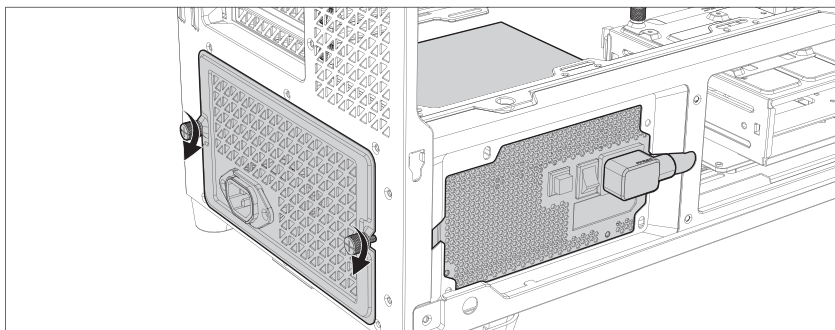
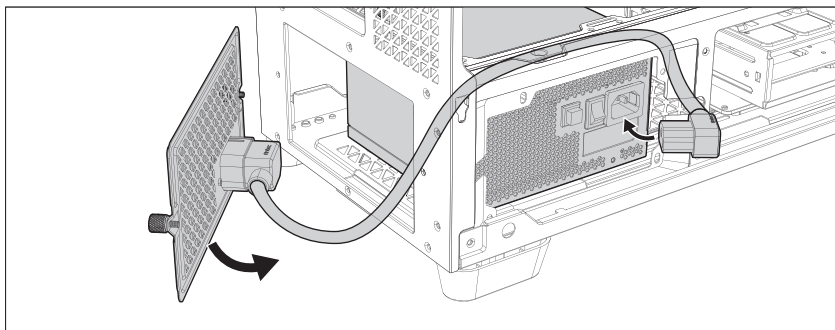
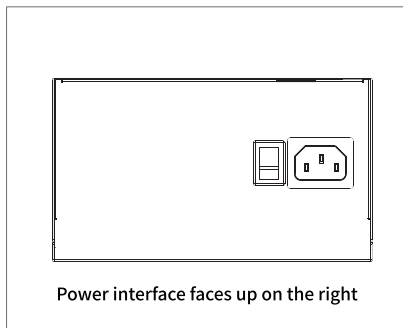
## 4 POWER SUPPLY INSTALLATION

Installation des Netzteils | Installation du Bloc d’Alimentation | Installazione dell’alimentatore di rete | Instalación de fuente de alimentación | 安裝電源供應器 | 安裝電源 | 파워 서플라이 설치 | 電源設置

### [B] SIDE MOUNT - A



[C] SIDE MOUNT - B

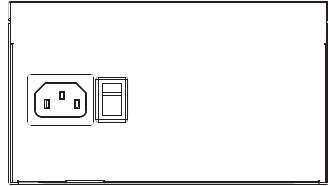


# INSTALLATION GUIDE

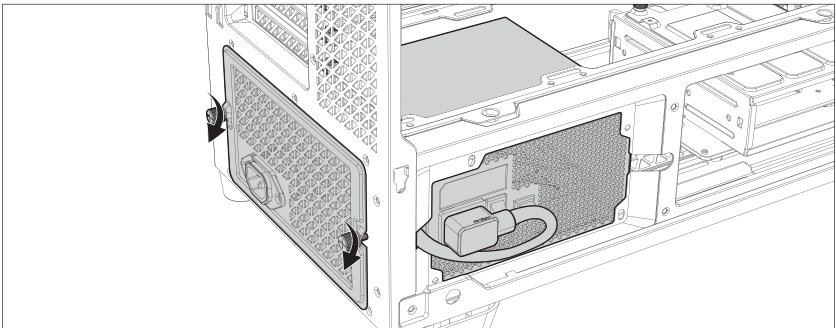
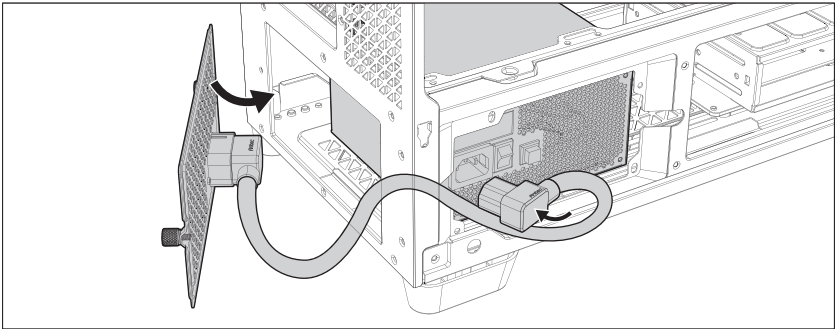
## 4 POWER SUPPLY INSTALLATION

Installation des Netzteils | Installation du Bloc d'Alimentation | Installazione dell'alimentatore di rete | Instalación de fuente de alimentación | 安裝電源供應器 | 安裝電源 | 파워 서플라이 설치 | 電源設置

### [D] SIDE MOUNT - C

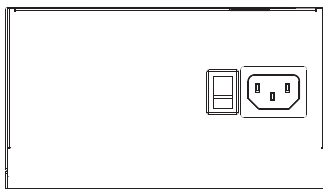


Power interface faces up on the left

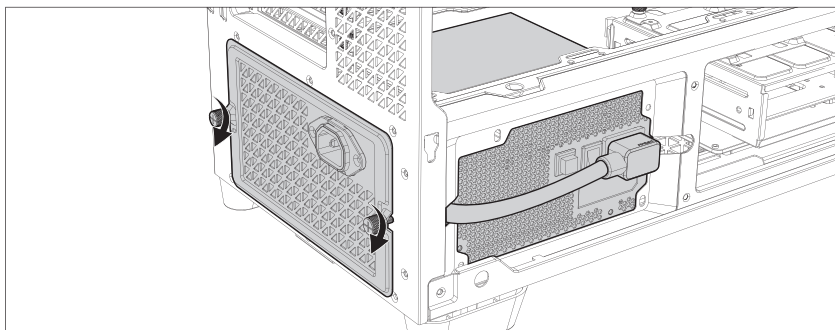
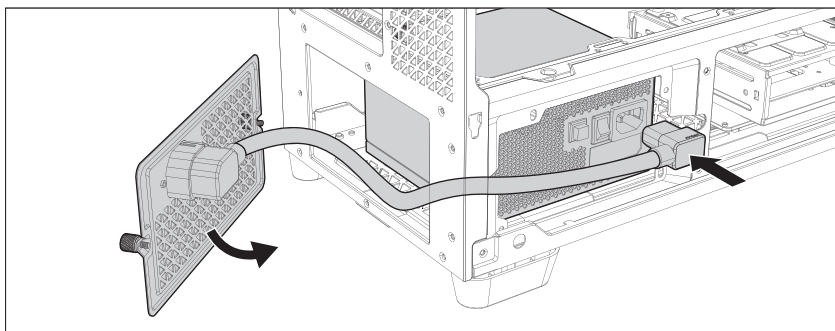




[E] SIDE MOUNT - D



Power interface faces down on the right

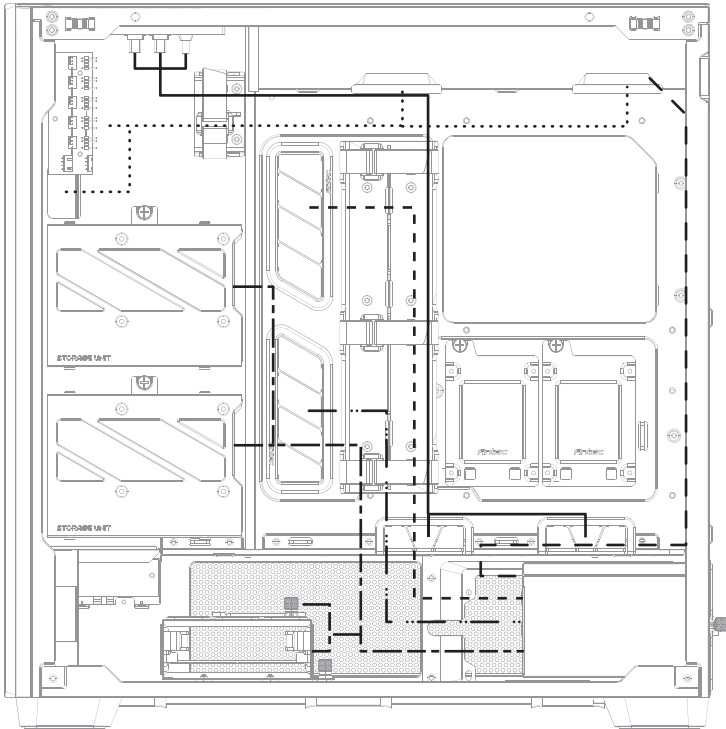


# INSTALLATION GUIDE

## 5 ROUTING SUGGESTION

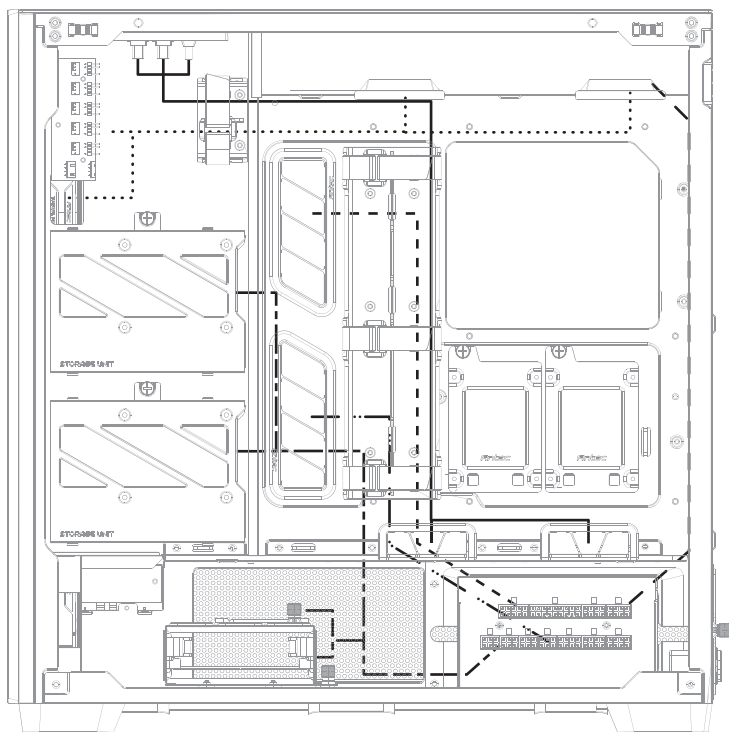
Vorschlag kabelführung | Suggestions d'installation | Suggerimento percorso cavi | Sugerencia de routing | 整線建議 | 整线建议  
| 작업공정 제한 | おススメの配線

### [A] REAR MOUNT



- |           |             |           |            |
|-----------|-------------|-----------|------------|
| —————     | I/O cable   | - - - - - | CPU cable  |
| .....     | Fan cable   | —————     | SATA cable |
| - - - - - | Motherboard | — · — · — | GPU cable  |

## [B] SIDE MOUNT



———— I/O cable

- - - - - CPU cable

..... Fan cable

— · — · — · SATA cable

- - - - - Motherboard

— · · — · · GPU cable

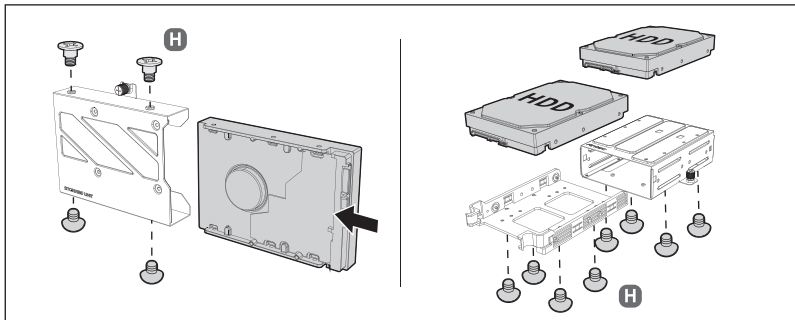
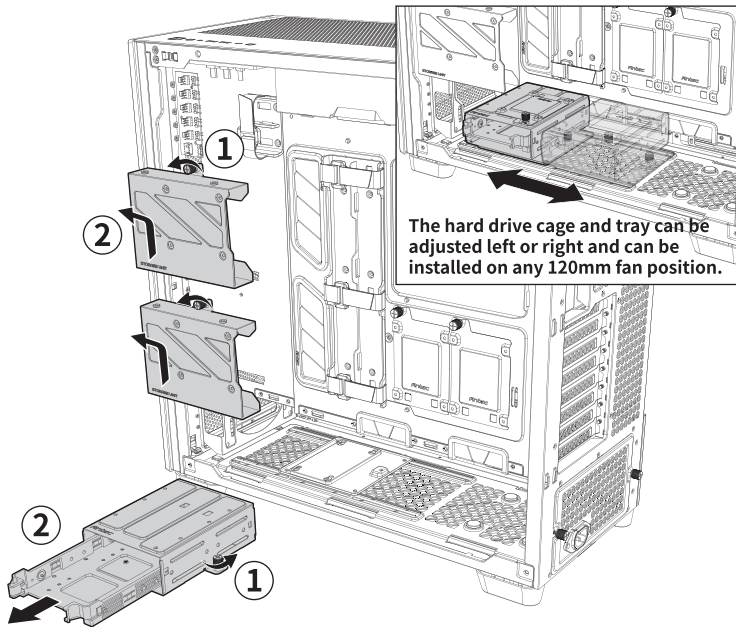
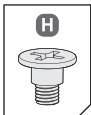
# INSTALLATION GUIDE

## 6 HARD DISK INSTALLATION

Festplatteninstallation | Installation des Disques Durs | Istallazione del disco rigido | Instalación de disco duro | 安裝硬碟 | 安裝  
硬盘 | 하드 디스크 설치 | ハードディスクの設置

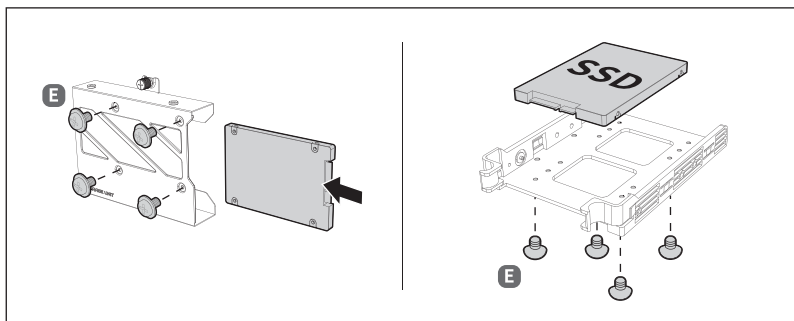
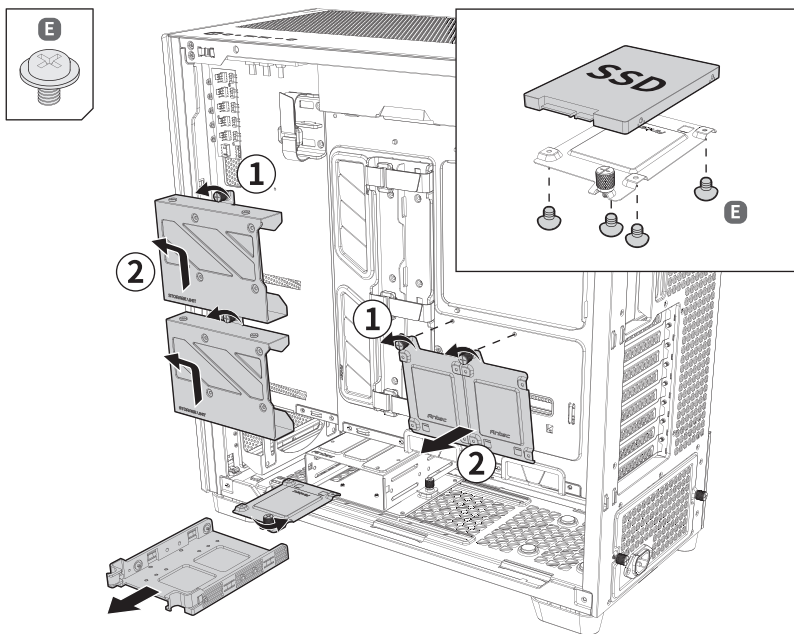
### [A] INSTALLING A 3.5" HARD DISK DRIVE

Installation einer 3,5" Festplatte | Installer un Disque Dur 3,5" | Istallazione di un disco rigido da 3,5" | Instalación de unidad de disco duro de 3,5" | 安裝3.5吋HDD硬碟 |  
安裝3.5吋HDD硬盘 | 3.5" 하드 디스크 드라이브 설치 | 3.5인치 하드디스크의設置



## [B] INSTALLING A 2.5" SOLID STATE DRIVE

Installation einer 2,5" SSD (Solid State Drive) | Installer un Disque Dur/SSD 2.5" | Installazione di un disco a stato solido da 2.5" | Instalación de disco de estado sólido de 2,5" | 安裝2.5吋SSD固態硬碟 | 安裝2.5吋SSD固態硬碟 | 2.5" SSD 설치 | 2.5인치솔리드스테이트드라이브의設置

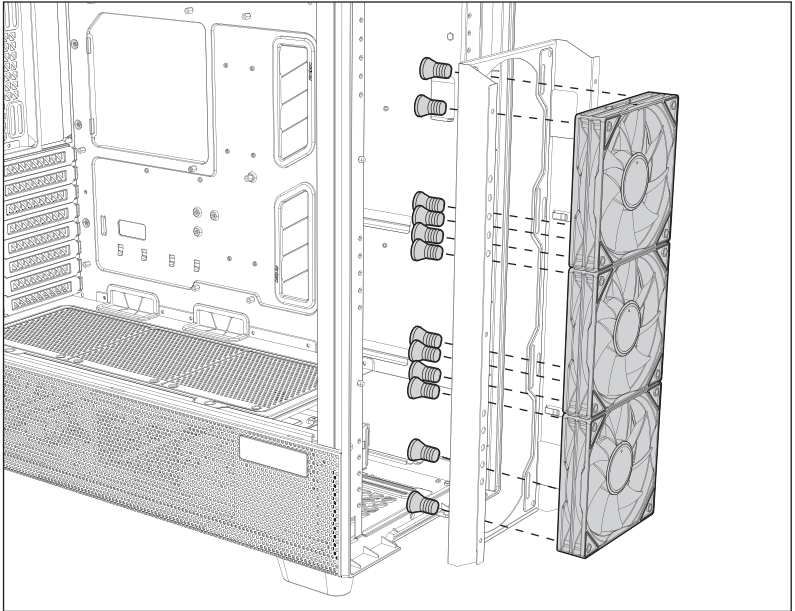


# INSTALLATION GUIDE

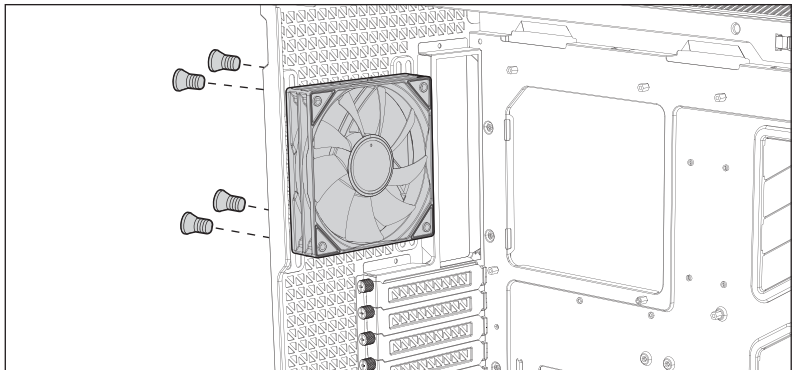
## 7 FAN INSTALLATION

Installation des Lüfters | Installation des Ventilateurs | Installazione del ventilatore | Instalación de ventilador | 安裝風扇 | 安裝風扇 | 팬 설치 | 팬의取り付け

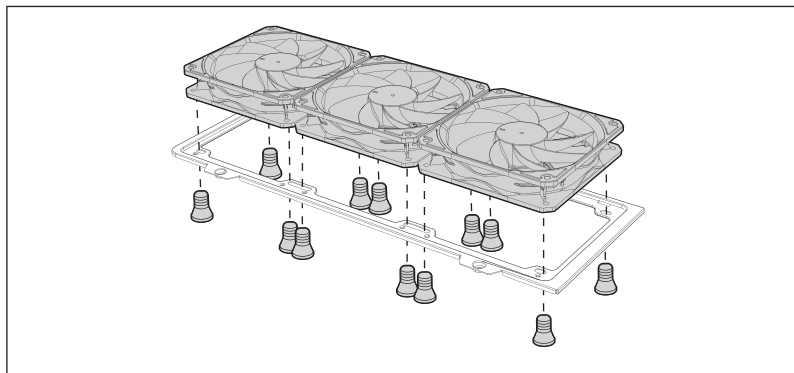
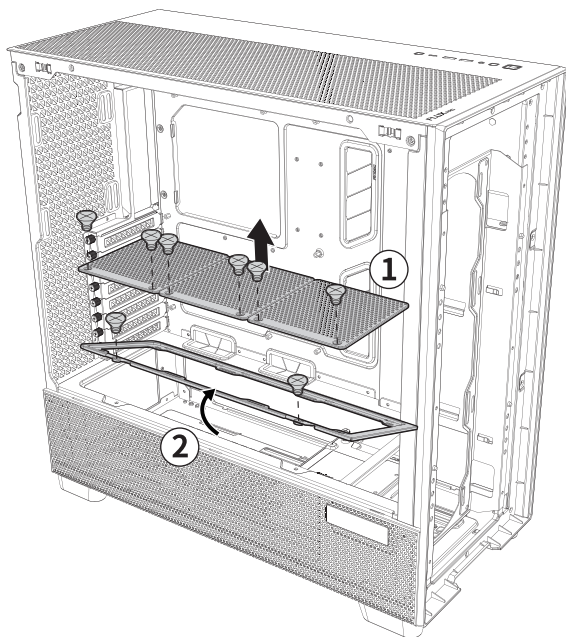
### [A] FRONT FAN



### [B] REAR FAN



[C] POWER SUPPLY SHROUD FAN

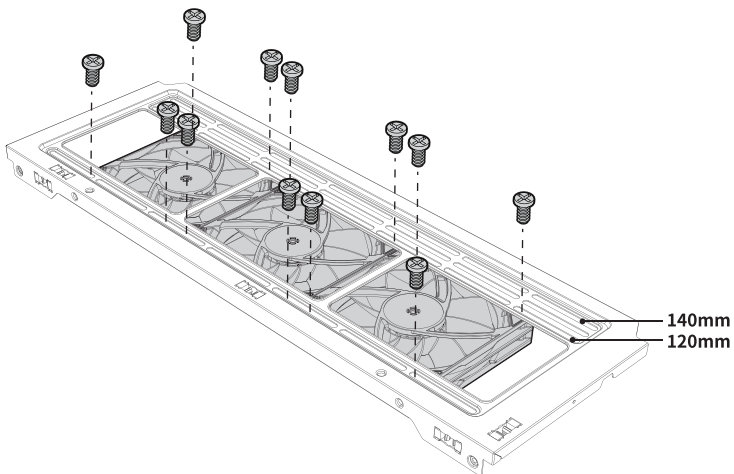
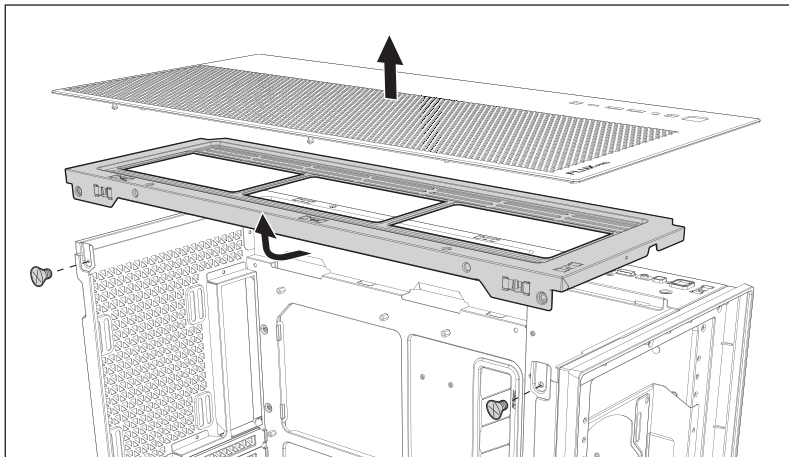


# INSTALLATION GUIDE

## 7 FAN INSTALLATION

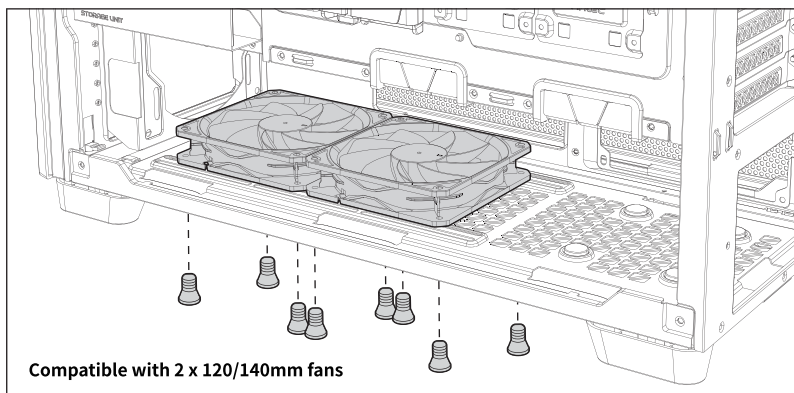
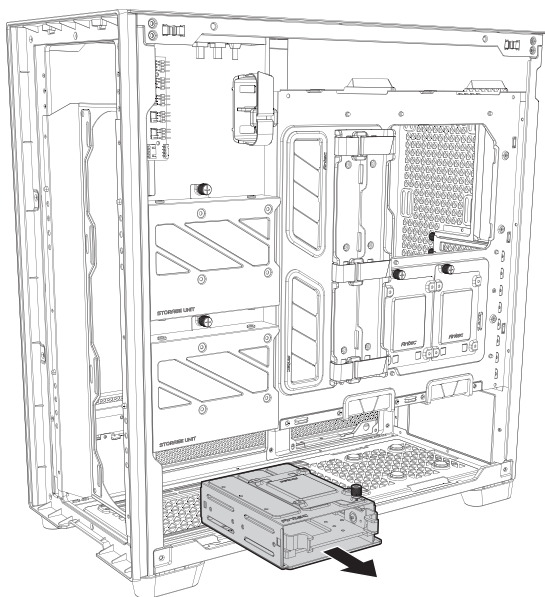
Installation des Lüfters | Installation des Ventilateurs | Installazione del ventilatore | Instalación de ventilador | 安裝風扇 | 安裝風扇 | 팬 설치 | 팬의取り付け

### [D] TOP FAN





[E] BOTTOM FAN



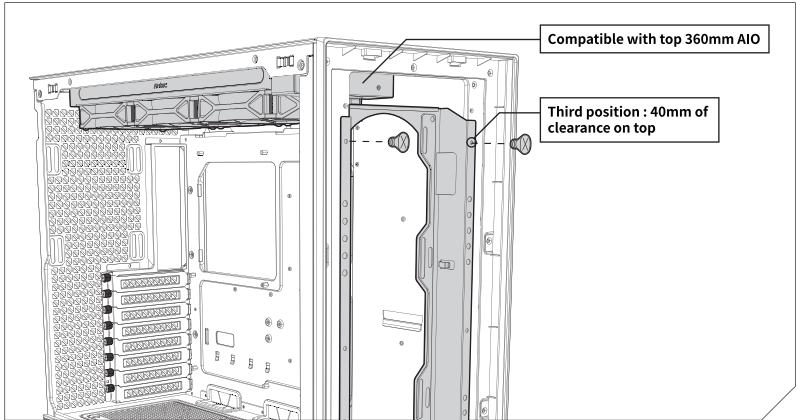
# INSTALLATION GUIDE

## 8 COOLING BRACKET

Kühlhalterung | Support de refroidissement | Staffa di raffreddamento | Soporte de enfriamiento | 散熱支架 | 散熱支架 | 냉각 브라켓 | 冷却ブラケット

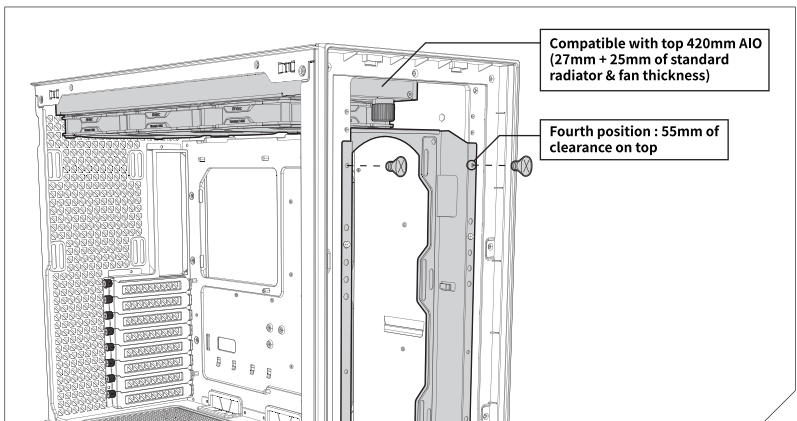
### COOLING BRACKET : THIRD POSITION

Default mount on the third position, compatible with top 360mm radiators.



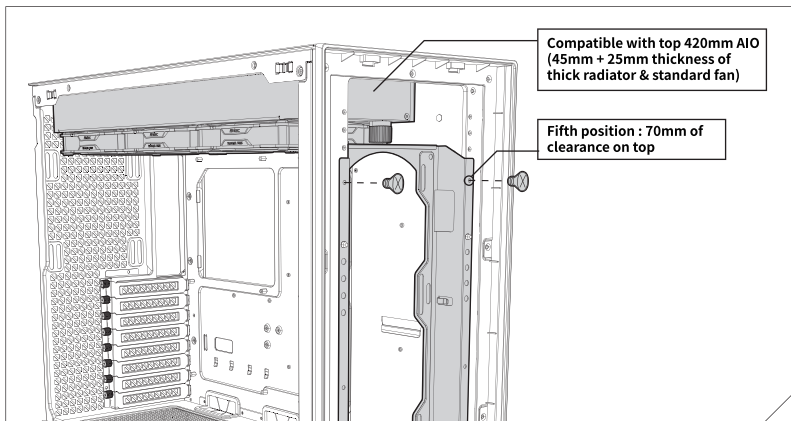
### COOLING BRACKET : FOURTH POSITION

To install a top 420mm radiator, adjust the bracket downwards to the fourth position.



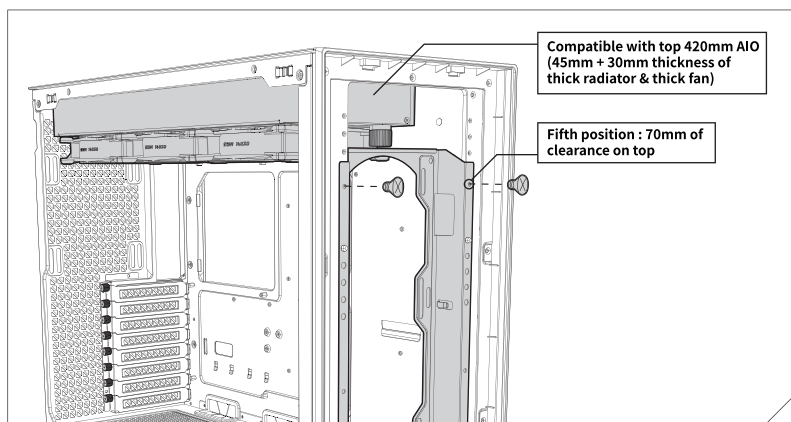
### COOLING BRACKET : FIFTH POSITION (THICK RADIATOR)

To install a thick 420mm radiator on the top, adjust the bracket downwards to the fifth position.



### COOLING BRACKET : FIFTH POSITION (THICK RADIATOR + THICK FAN)

To install a thick 420mm radiator + thick fan on the top, adjust the bracket downwards to the fifth position.

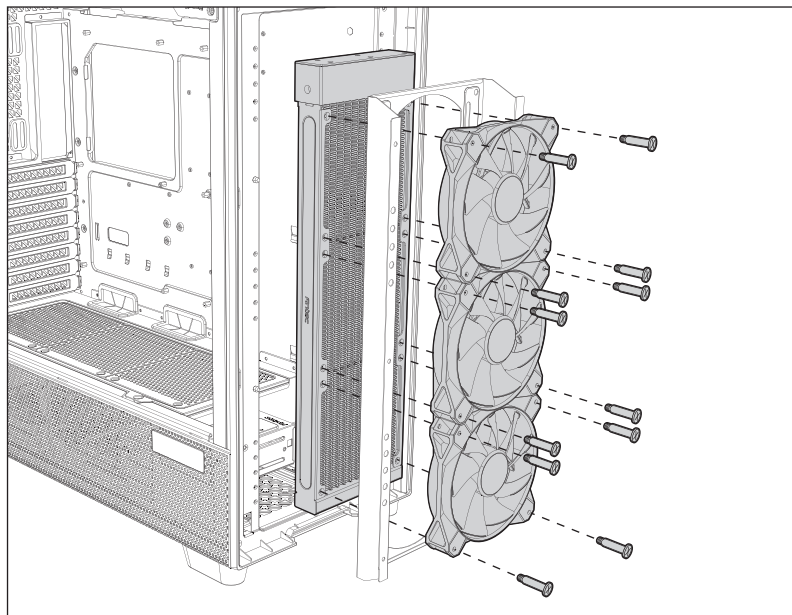


# INSTALLATION GUIDE

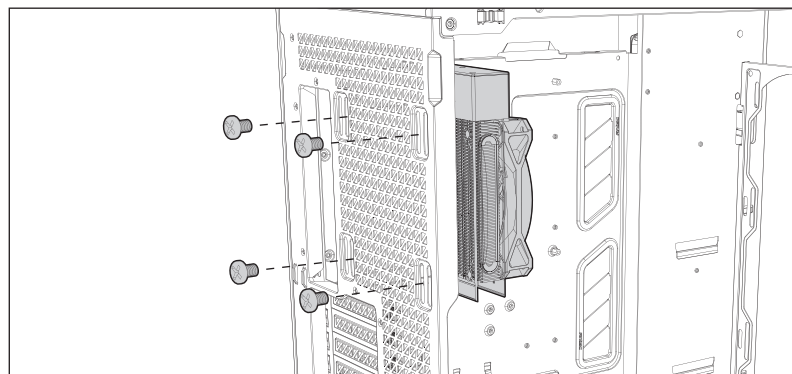
## 9 LIQUID COOLING RADIATOR INSTALLATION

Installation des Kühlers für die Flüssigkeitskühlung | Installation des Radiateurs Watercooling | Installazione del radiatore di raffreddamento liquido | Instalación de radiador de refrigeración líquida | 安裝水冷散熱器 | 安裝水冷散熱器 | 액체 냉각 라디에이터 설치 | 液体冷却ラジエーターの設置

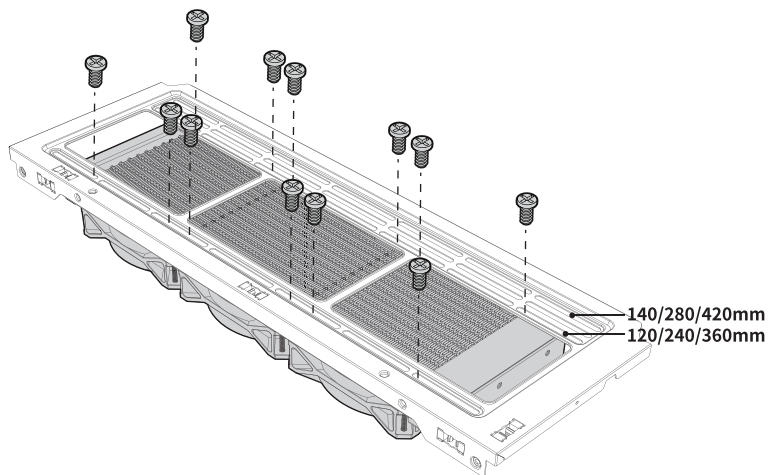
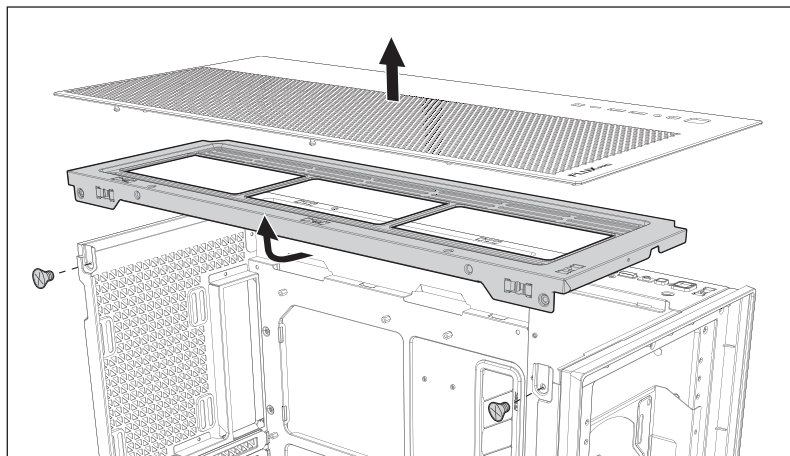
### [A] FRONT RADIATOR



### [B] REAR RADIATOR



[C] TOP RADIATOR

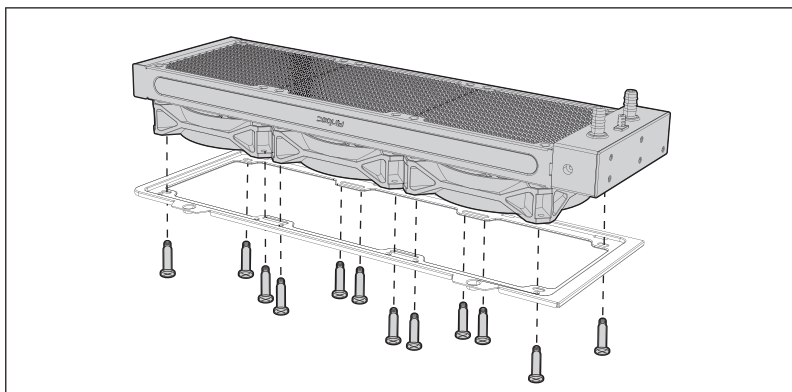
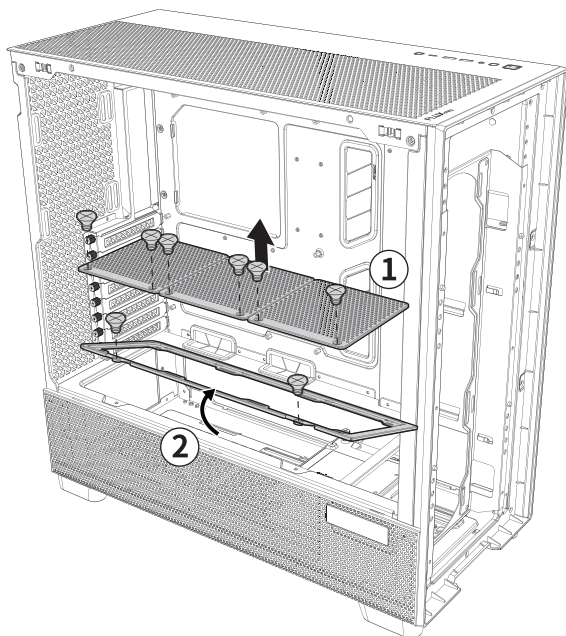


# INSTALLATION GUIDE

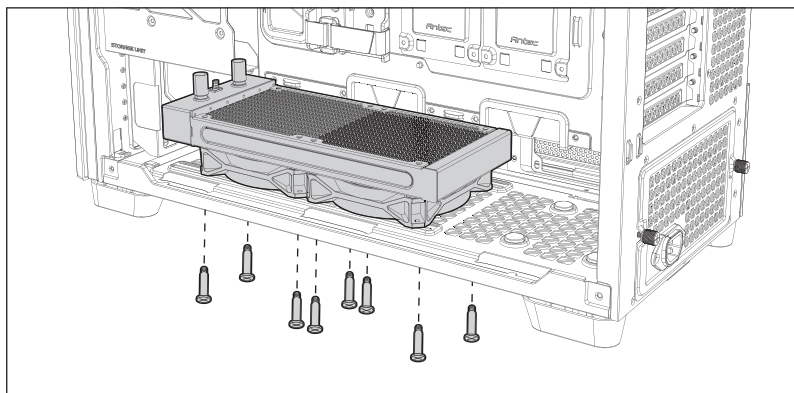
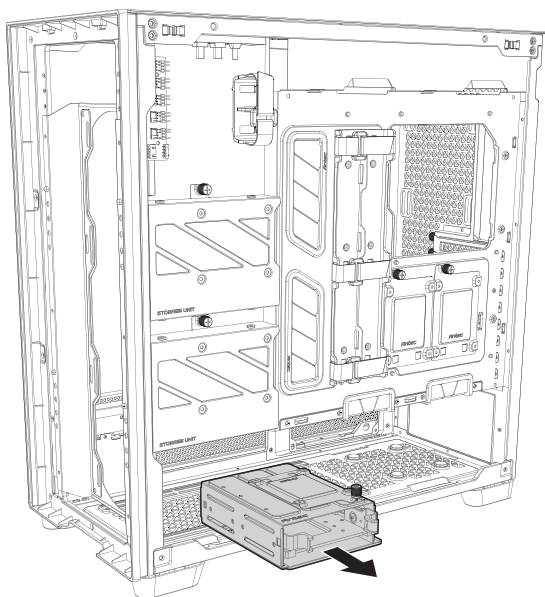
## 9 LIQUID COOLING RADIATOR INSTALLATION

Installation des Kühlers für die Flüssigkeitskühlung | Installation des Radiateurs Watercooling | Installazione del radiatore di raffreddamento liquido | Instalación de radiador de refrigeración líquida | 安裝水冷散熱器 | 安裝水冷散熱器 | 액체 냉각 라디에이터 설치 | 液体冷却ラジエーターの設置

### [D] POWER SUPPLY SHROUD RADIATOR



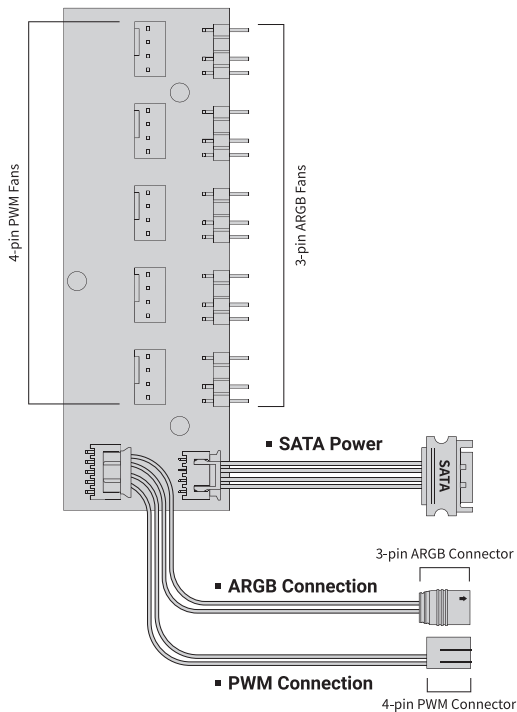
## [E] BOTTOM RADIATOR



# INSTALLATION GUIDE

## 10 ARGB & PWM FAN HUB CONNECTIONS

Multifunktions-Lüftersteuerung | Contrôleur de ventilateur multifonction | Controller multifunzionale di ventilatore |  
Controlador de ventilador multifunción | 多功能風扇控制器 | 多功能風扇控制器 | ARGB & PWM 팬 허브 연결방법 | ARGB & PWM 팬  
接続用のマルチハブ



Connect to Power

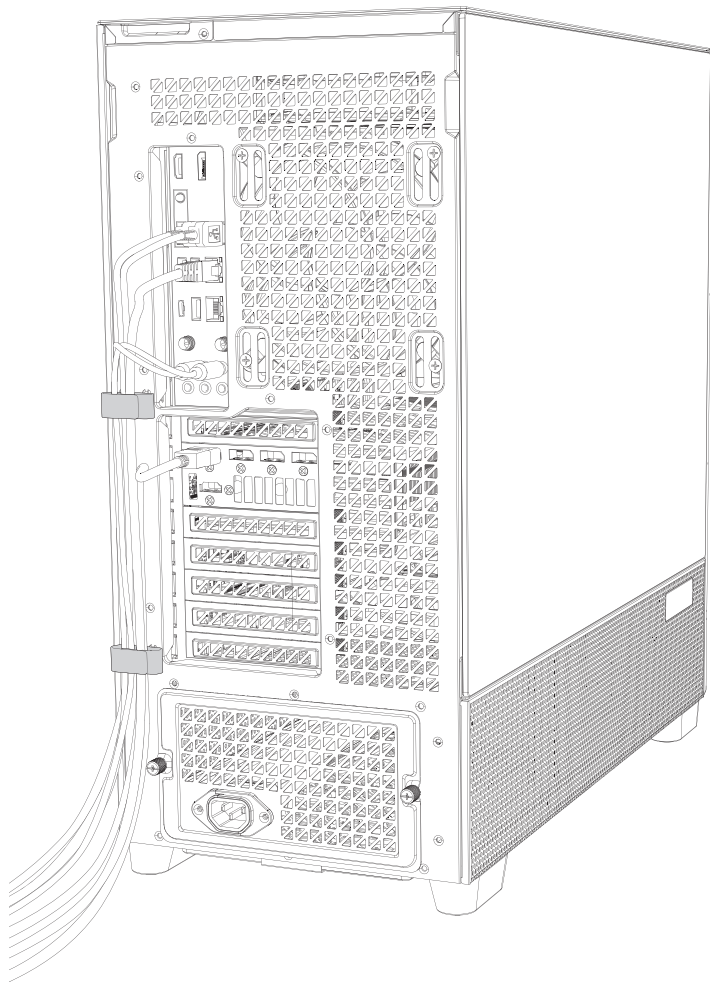


Connect to Motherboard



## II CABLE MANAGEMENT IN THE BACK

Kabelmanagement hinten | Cable management arrière | Gestione cavi nella parte posteriore | Organización del cableado atrás |  
後方整線區 | 后方整線区 | 후면 선정리 | 리アの配線



# ANTEC IUNITY SOFTWARE GUIDE

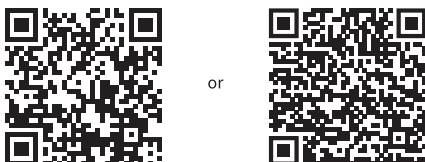
## I SOFTWARE FUNCTION

Softwarefunktion | Fonction du logiciel | Funzione del software | Función del software | 軟體功能 | 软件功能 | 소프트웨어 기능 | ソフトウェアの機能

### [A] TEMPERATURE DISPLAY SOFTWARE

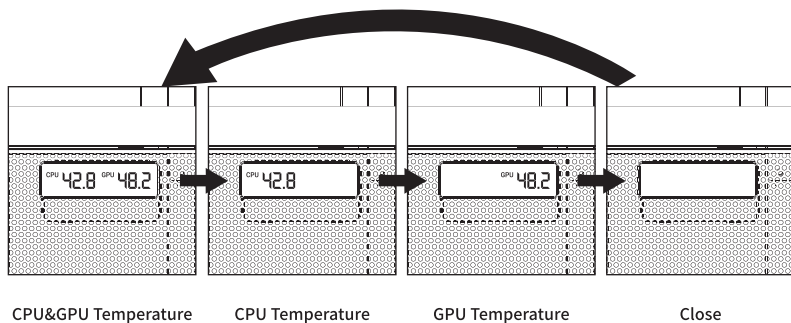
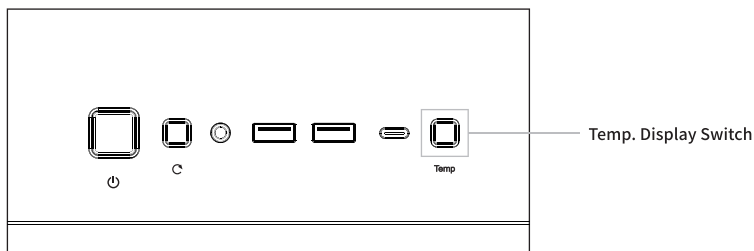
Download the software via the QR code.

(Temp. Display Screen requires installing the software before using)



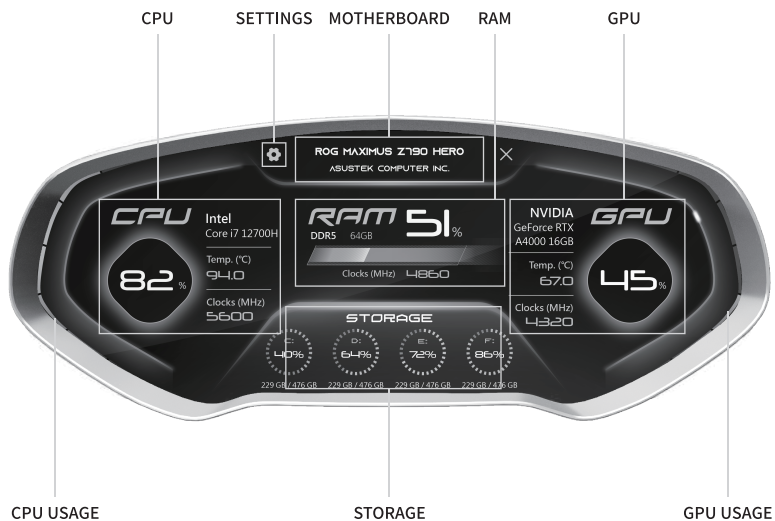
### [B] TEMPERATURE DISPLAY PANEL

Press the temp. display switch button to change the temperature display.



## [C] ANTEC iUnity UI INTRODUCTION

Monitor the temperatures of the hardware and provide instant data.



# MEMO