

SmallRig



Mini V Mount Battery Plate with Crab-Shaped Clamp

Operating Instruction

SmallRig Mini V Mount Battery Plate with Crab-Shaped Clamp 2989 utilizing a standard V mount fits most V mount batteries to provide greater battery life for your camera rig with your battery's power port(s). It comes with a crab-shaped clamp that fits rod diameter from 15mm to 30mm to help mount a V mount battery to a tripod, a light stand, or a handheld ring for gimbals. The plate itself features two 1/4-20" countersinks, two 1/4-20" thread holes, and four M4 thread holes, which can be used to attach a dual rod clamp, a magic arm, or other accessories, will help mount a V mount battery to your camera rig as needed. The mini shape design makes it lighter and more portable.

Safety Guidelines

1. Environment

Do not use the product underwater, in extreme temperatures (e.g., freezing or direct heat), corrosive environments, or excessive dust. Dry metal parts immediately after liquid contact to prevent corrosion.

2. Load Capacity

Do not exceed the maximum weight capacity indicated on the product. Overloading risks structural failure, deformation, or accidental drops.

3. Cleaning & Maintenance

Clean surfaces with a dry, soft cloth. Avoid chemicals like alcohol or solvents. Ensure dry and ventilated conditions for long-term storage.

4. Structural Integrity

Do not modify the product (e.g., drilling, cutting)—this compromises structural integrity and increases drop risks.

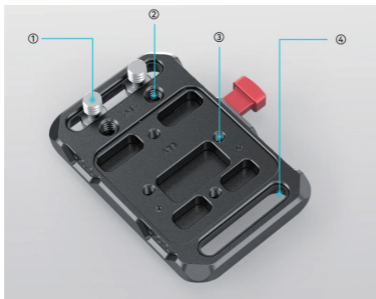
5. Malfunctions

Stop use immediately if you notice deformation, unusual noises, or loose components, and contact support.

In the Box

Mini V Mount Battery Plate	× 1	Crab-shaped Clamp	× 1
Allen Wrench	× 2	1/4-20" Screw	× 2
Guarantee Card	× 1		

Product Details

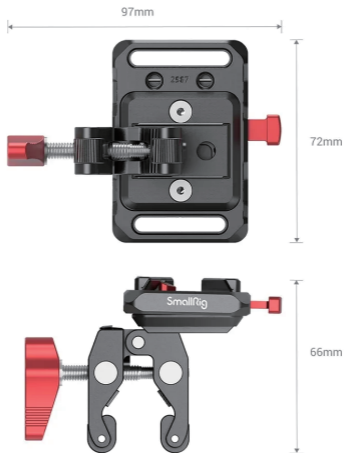


- ① 1/4"-20 Screw
- ② 1/4"-20 Thread
- ③ M4 Thread
- ④ 1/4"-20 Countersinks

Easy to Use



Specifications



Product Dimensions: 97 × 72 × 65mm

Package Dimensions: 135 × 100 × 50mm

Net Weight: 150 ± 5g

Package Weight: 205 ± 5g

Material(s): Aluminum Alloy

Manufacturer Email: support@smallrig.com

Manufacturer: Shenzhen Leqi Innovation Co., Ltd.

Add: Rooms 101, 701, 901, Building 4, Gonglianfuji Innovation Park, No. 58, Ping'an Road,
Dafu Community, Guanlan Street, Longhua District, Shenzhen, Guangdong, China.

Consignor: Shenzhen LC Co., Ltd.

Add: Room 201, Building 4, Gonglianfuji Innovation Park, No. 58, Ping'an Road,
Dafu Community, Guanlan Street, Longhua District, Shenzhen, Guangdong, China.

RoHS

CE



Séparez les éléments avant de trier



Made in China