

Original Desk

Assembly Instructions

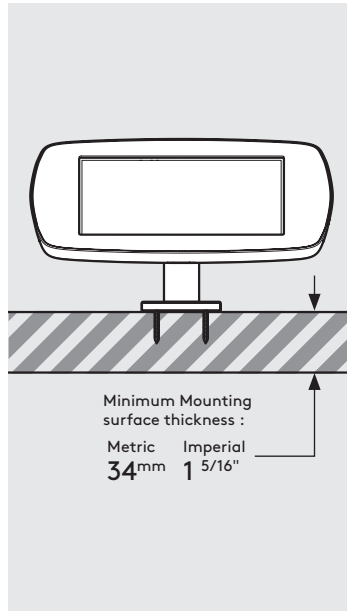
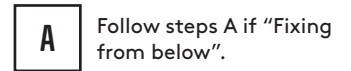
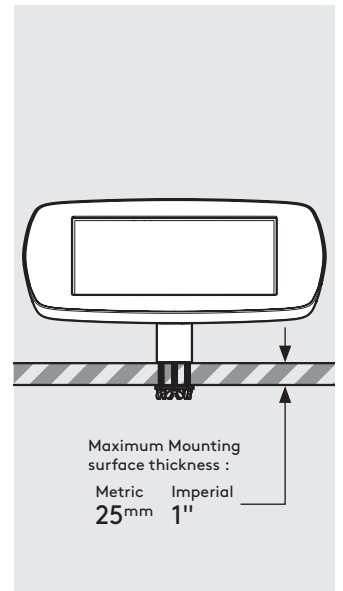
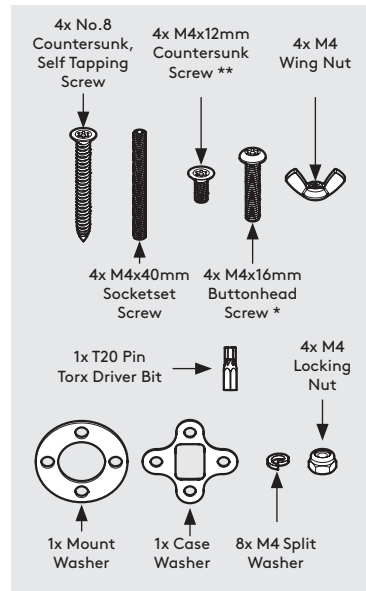
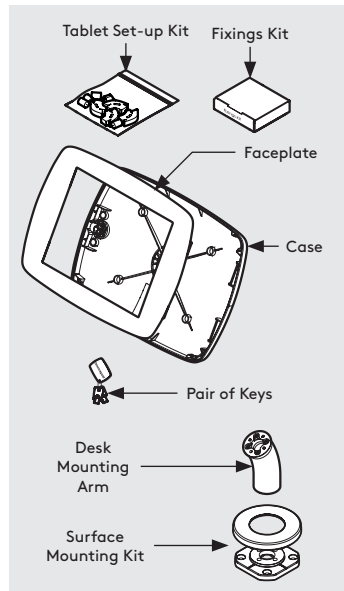
Tools Required:

- Pencil
- Electric Drill
- 7mm Spanner **or adjustable spanner*
- 5.0mm Drillbit **if fixing from below*
- 2.5mm Drillbit **if fixing from above*
- 16mm Holesaw **if routing the tablet cable through your mounting surface*
- Socket Driver

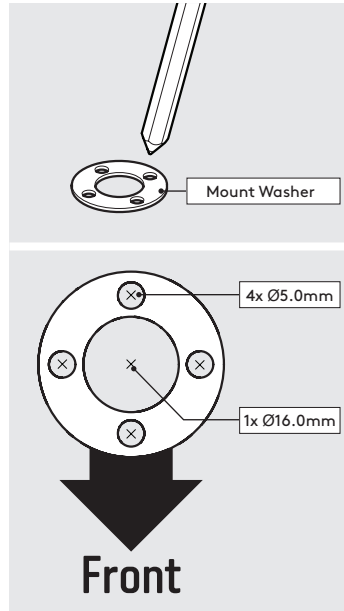
Sheet Code: BP-IM-028_REV4

Release Date: 12/05/2025

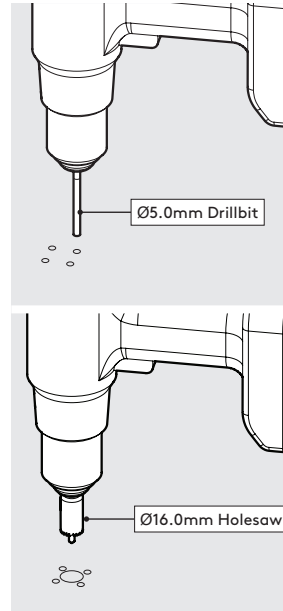
Copyright 2025 SpotSpot Ltd. (T/A Bouncepad) all rights reserved. Confidential, no part of this publication may be reproduced or transmitted in any form without the written permission of the copyright holder.



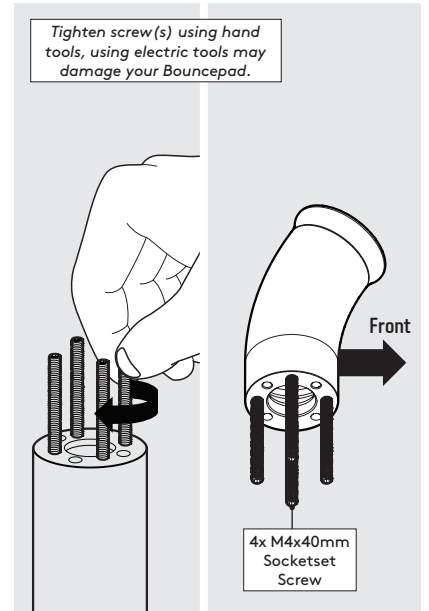
B Follow steps B if "Fixing from Above".



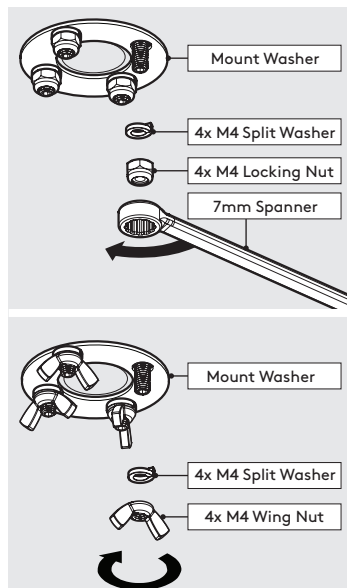
A1 Using the Mount Washer, mark the drill hole locations as shown.



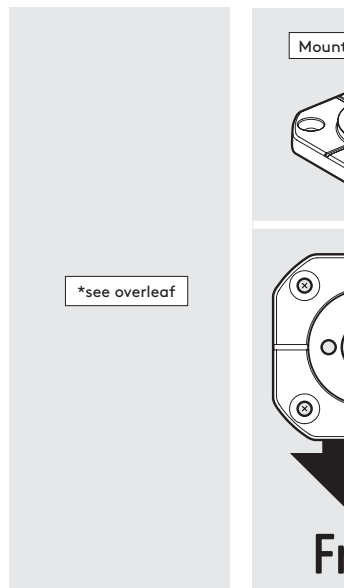
A2 Drill each hole - using the specified drill size.



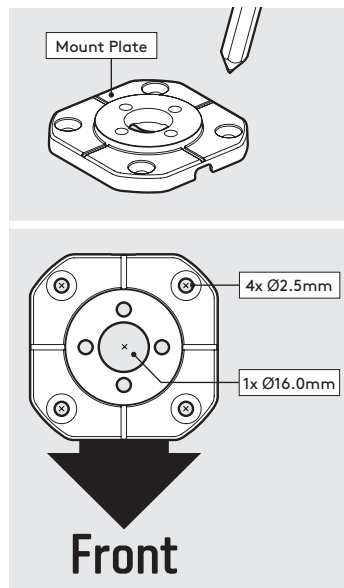
A3 Locate and screw the Socket Screws into the Desk as shown.



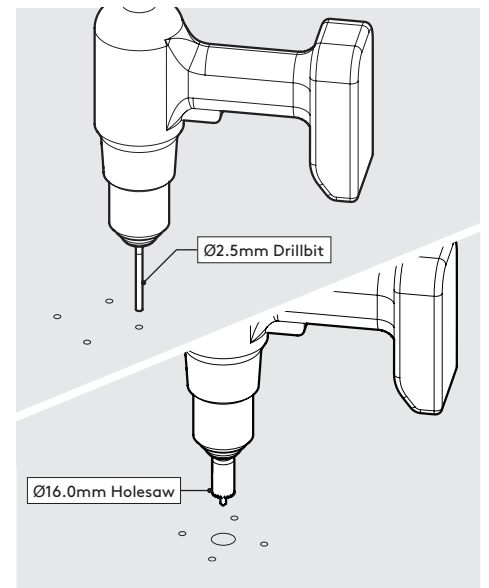
A4 Secure the Desk to the surface. Locking Nuts offer higher security.



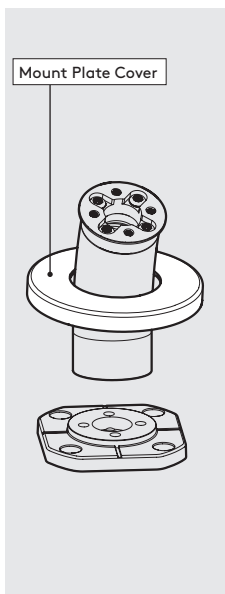
A5 Go to step 1.



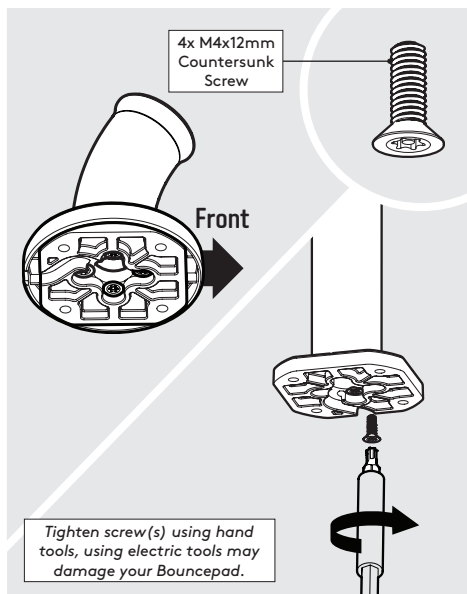
B1 Using the Mount Plate, mark the drill hole locations as shown.



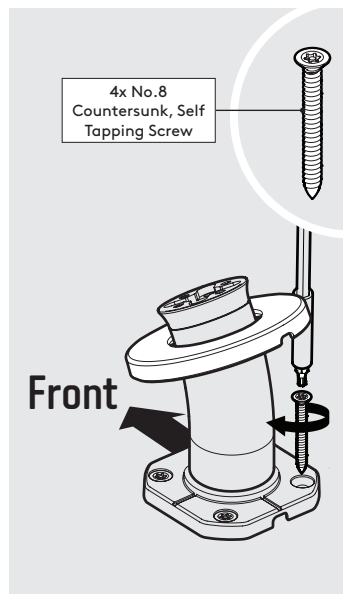
B2 Drill each hole - using the specified drill sizes.



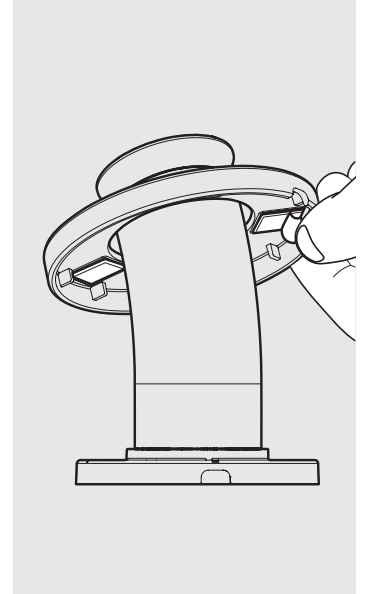
B3 Locate the Cover onto the Desk.



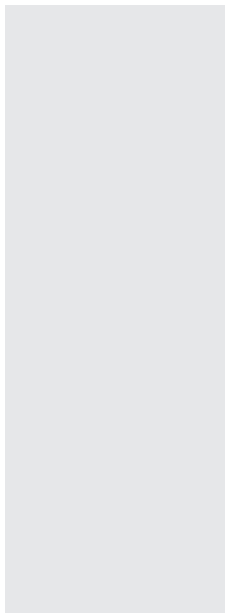
B4 Join the Desk & Mount Plate in the orientation shown.



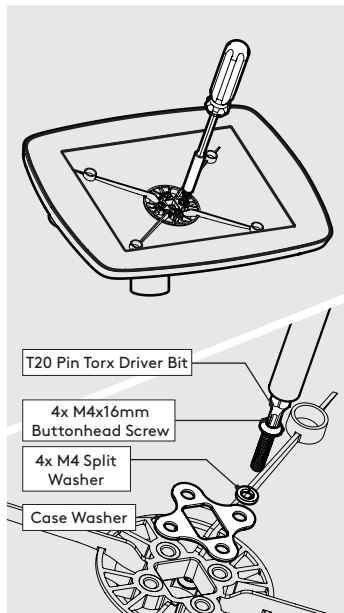
B5 Secure the Desk to the surface with the 4x Countersunk Fixings.



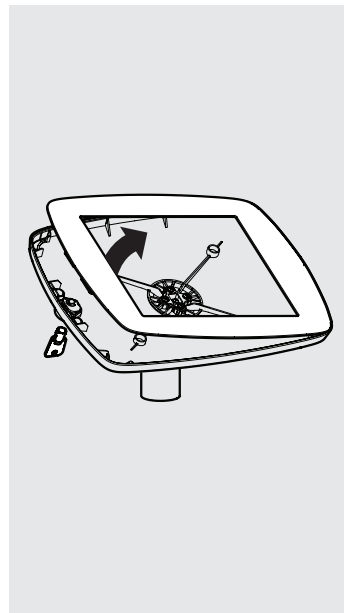
B6 Adhere the Mount Cover onto the Mount Plate with the adhesive tabs.



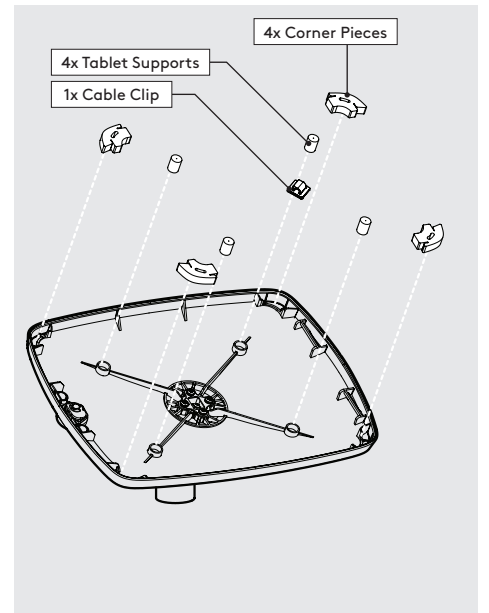
B7 Go to step 1.



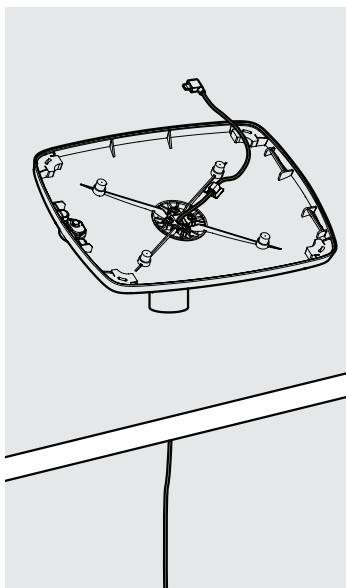
1 Locate & attach the Case to the Desk as shown.



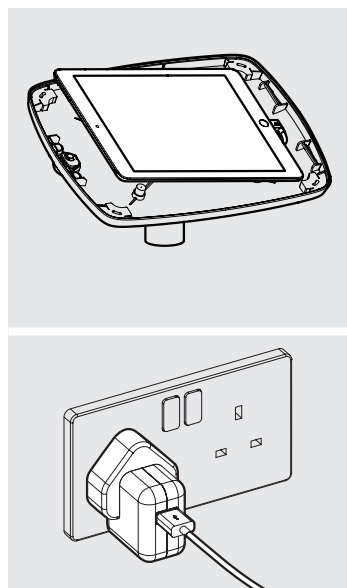
2 Unlock & remove the Faceplate from the Case.



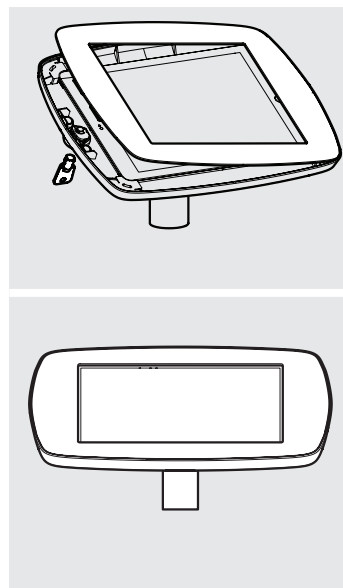
3 Install the Tablet Setup Kit. Each kit is specific per Tablet & Case.



4 Feed the Power Cable through the Case & Desk.



5 Place the Tablet into the Case & connect to power.



6 Locate & lock the Faceplate onto the Case.



7 Installation is now complete.