

TAA-COMPLIANT F-SERIES CAT6 NON-BOOTED UNSHIELDED (UTP) NETWORK CABLE

Meets stringent TAA compliant requirements and is approved for use in United States government projects and facilities

This non-booted unshielded Cat6 network cable is designed for network adapters, hubs, switches, routers, servers and more. Constructed with premium, made in the USA copper cabling with enhanced 600 MhZ maximum frequency for increased performance over standard Cat6 cables.



C2G43611

FEATURES

- TAA-compliant
- Constructed with high quality, made in the USA raw cable for consistent, reliable performance
- Standard RJ45 connectors and unshielded twisted pair wires
- 50-micron gold-plated contacts improve signal integrity
- Meets or exceeds all ANSI/TIA-568.2-D Category 6 industry standards for supporting a wide variety of applications, including 1000BASE-T (1 Gigabit Ethernet)
- Available in a wide variety of colors to easily color-code your network installation
- Available in lengths up to 25 feet (7.6 m)
- Lifetime warranty

TAA-COMPLIANT F-SERIES CAT6 NON-BOOTED UNSHIELDED (UTP) NETWORK CABLE

PART NUMBERS

LENGTH	BLUE	BLACK	GREEN	YELLOW	ORANGE	PURPLE	WHITE	PINK
6in (0.15m)	C2G43611	C2G43623	C2G43635	C2G43647	C2G43659	C2G43671	C2G43683	C2G43695
1ft (0.3m)	C2G43612	C2G43624	C2G43636	C2G43648	C2G43660	C2G43672	C2G43684	C2G43696
2ft (0.6m)	C2G43613	C2G43625	C2G43637	C2G43649	C2G43661	C2G43673	C2G43685	C2G43697
3ft (0.9m)	C2G43614	C2G43626	C2G43638	C2G43650	C2G43662	C2G43674	C2G43686	C2G43698
4ft (1.2m)	C2G43615	C2G43627	C2G43639	C2G43651	C2G43663	C2G43675	C2G43687	C2G43699
5ft (1.5m)	C2G43616	C2G43628	C2G43640	C2G43652	C2G43664	C2G43676	C2G43688	C2G43700
6ft (1.8m)	C2G43617	C2G43629	C2G43641	C2G43653	C2G43665	C2G43677	C2G43689	C2G43701
7ft (2.1m)	C2G43618	C2G43630	C2G43642	C2G43654	C2G43666	C2G43678	C2G43690	C2G43702
8ft (2.4m)	C2G43619	C2G43631	C2G43643	C2G43655	C2G43667	C2G43679	C2G43691	C2G43703
10ft (3m)	C2G43620	C2G43632	C2G43644	C2G43656	C2G43668	C2G43680	C2G43692	C2G43704
15ft (4.6m)	C2G43621	C2G43633	C2G43645	C2G43657	C2G43669	C2G43681	C2G43693	C2G43705
25ft (7.6m)	C2G43622	C2G43634	C2G43646	C2G43658	C2G43670	C2G43682	C2G43694	C2G43706

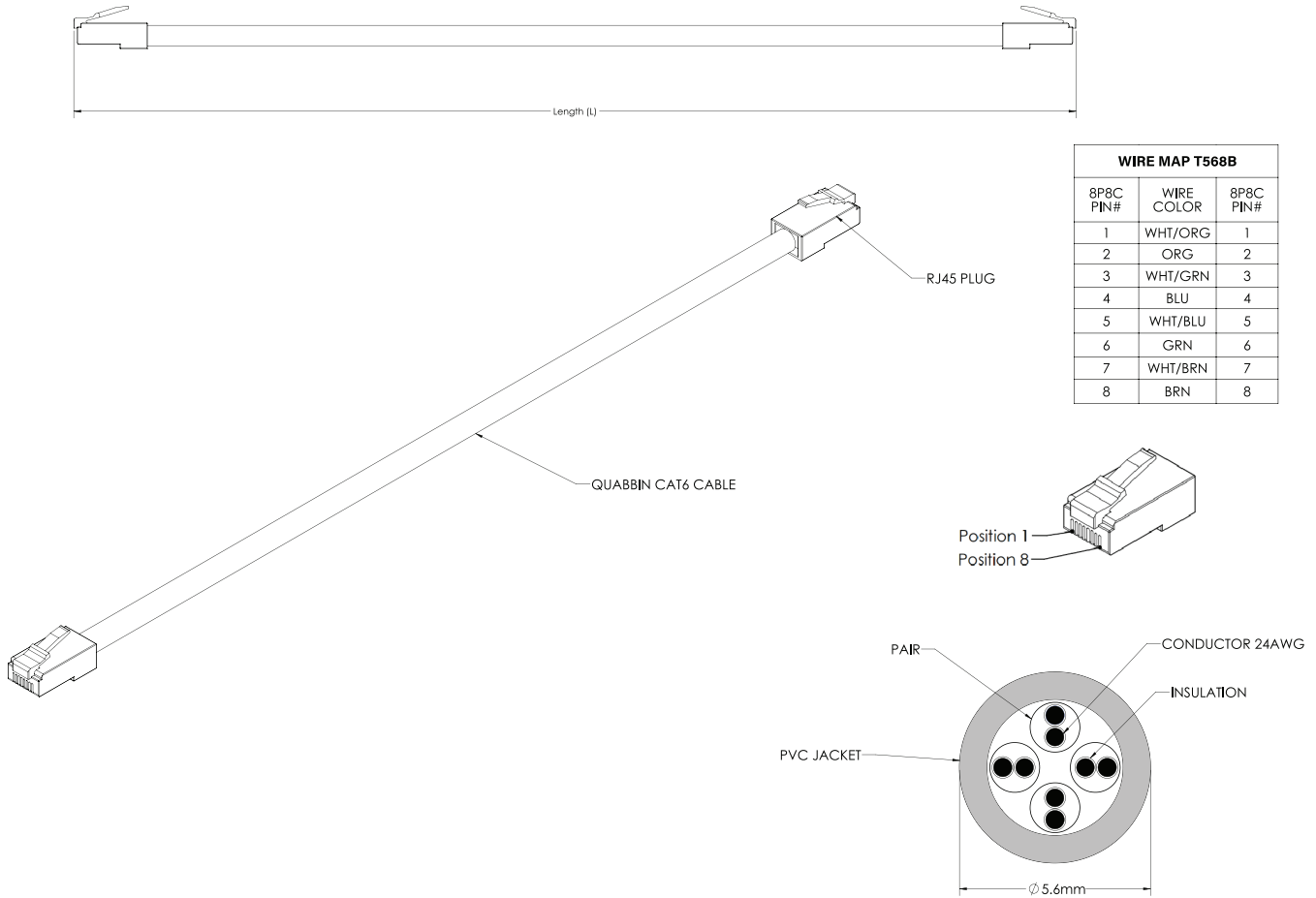
TAA-COMPLIANT F-SERIES CAT6 NON-BOOTED UNSHIELDED (UTP) NETWORK CABLE

		C2G43611-706
ELECTRICAL SPECIFICATIONS	Conductor DC Resistance	26.5Ω/1000ft (maximum)
	Impedance	100 +/- 15 Ω
	Capacitance	13.5pf/ft @ 1MHz
	Voltage Rating	300V (maximum)
	Propagation Delay	534 + 36/√f ns/100m
	Delay Skew	<45ns/100m
PHYSICAL SPECIFICATIONS	Wiring Scheme	T568B
	Operating Temperature Range	-4°F to 167°F (-20°C to 75°C)
	Approvals	CE; RoHS; UKCA
	Standards	Meets ANSI/TIA-568.2-D and ISO/IEC 11801-1 electrical performance
	Warranty	Lifetime
	Package Type	Polybag
CONDUCTOR	Conductor Gauge	24AWG
	Insulation	HDPE: .007in nominal wall thickness
	Twist Pair	White/Blue, Blue, White/Orange, Orange, White/Green, Green, White/Brown, Brown
CONNECTORS	Connector	RJ45 (8P8C)
	Connector Type	Non-Booted
	Gender	Male
	Contacts	Gold Plated 50μ
OVERALL CABLE	Jacket	PVC
	Jacket Rating	CMR
	OD	5.6mm



TAA-COMPLIANT F-SERIES CAT6 NON-BOOTED UNSHIELDED (UTP) NETWORK CABLE

SPECIFICATIONS



LEGRAND | AV COMMERCIAL BRANDS

C2G | Chief | Da-Lite | Luxul | Middle Atlantic | Vaddio | Wiremold

SIMPLIFIED CONNECTIVITY

USA 800.506.9607 | legrandav.com | customer-service@c2g.com

EMEA +31 495 580 840 | legrandav.com | c2g.emea@av.legrand.com

©2024 Legrand AV Inc. 240129 Rev A 3/24 C2G is a registered trademark of Legrand AV Inc. All other brand names or marks are used for identification purposes and are trademarks of their respective owners. All patents are protected under existing designations. Other patents pending.