

# TAA-COMPLIANT F-SERIES CAT6A SNAGLESS SHIELDED (STP) NETWORK CABLE

Meets stringent TAA compliant requirements and is approved for use in United States government projects and facilities

This Snagless Shielded Cat6A patch cable is ideal for use with 10GBase-T ports and equipment, such as network adapters, hubs, switches, routers, DSL/cable modems and patch panels, and will protect a high speed 10 Gigabit network connection from noise and electromagnetic interference. For voice/data/video distribution, this cable will handle bandwidth-intensive applications and drastically reduces both impedance and structural return loss (SRL). Constructed with premium, made in the USA copper cabling with aluminum foil shield designed to counter EMI, RFI, and alien crosstalk.



C2G43791

## FEATURES

- TAA-compliant
- Constructed with high quality, made in the USA raw cable for consistent, reliable performance
- Snagless RJ45 connector design protects clips from being easily snapped off – great for applications with high insertion cycles
- Standard RJ45 connectors – Al foil shield, 100% coverage
- 50-micron gold-plated contacts improve signal integrity
- Meets or exceeds all ANSI/TIA-568.2-D Category 6A industry standards for supporting a wide variety of applications, including 10GBASE-T (10 Gigabit Ethernet)
- Available in a wide variety of colors to easily color-code your network installation
- Available in lengths up to 100 feet (30.5 m)
- Lifetime warranty

# TAA-COMPLIANT F-SERIES CAT6A SNAGLESS SHIELDED (STP) NETWORK CABLE

## PART NUMBERS

LENGTH	GRAY	BLUE	BLACK	GREEN	RED	YELLOW	ORANGE	PURPLE	WHITE
6in (0.15m)	C2G43791	C2G43812	C2G43833	C2G43854	C2G43875	C2G43896	C2G43917	C2G43938	C2G43959
1ft (0.3m)	C2G43792	C2G43813	C2G43834	C2G43855	C2G43876	C2G43897	C2G43918	C2G43939	C2G43960
2ft (0.6m)	C2G43793	C2G43814	C2G43835	C2G43856	C2G43877	C2G43898	C2G43919	C2G43940	C2G43961
3ft (0.9m)	C2G43794	C2G43815	C2G43836	C2G43857	C2G43878	C2G43899	C2G43920	C2G43941	C2G43962
4ft (1.2m)	C2G43795	C2G43816	C2G43837	C2G43858	C2G43879	C2G43800	C2G43921	C2G43942	C2G43963
5ft (1.5m)	C2G43796	C2G43817	C2G43838	C2G43859	C2G43880	C2G43901	C2G43922	C2G43943	C2G43964
6ft (1.8m)	C2G43797	C2G43818	C2G43839	C2G43860	C2G43881	C2G43902	C2G43923	C2G43944	C2G43965
7ft (2.1m)	C2G43798	C2G43819	C2G43840	C2G43861	C2G43882	C2G43903	C2G43924	C2G43945	C2G43966
8ft (2.4m)	C2G43799	C2G43820	C2G43841	C2G43862	C2G43883	C2G43904	C2G43925	C2G43946	C2G43967
9ft (2.7m)	C2G43800	C2G43821	C2G43842	C2G43863	C2G43884	C2G43905	C2G43926	C2G43947	C2G43968
10ft (3m)	C2G43801	C2G43822	C2G43843	C2G43864	C2G43885	C2G43906	C2G43927	C2G43948	C2G43969
12ft (3.7m)	C2G43802	C2G43823	C2G43844	C2G43865	C2G43886	C2G43907	C2G43928	C2G43949	C2G43970
14ft (4.3m)	C2G43803	C2G43824	C2G43845	C2G43866	C2G43887	C2G43908	C2G43929	C2G43950	C2G43971
15ft (4.6m)	C2G43804	C2G43825	C2G43846	C2G438670	C2G43888	C2G43909	C2G43930	C2G43951	C2G43972
20ft (6.1m)	C2G43805	C2G43826	C2G43847	C2G43868	C2G43889	C2G43910	C2G43931	C2G43952	C2G43973
25ft (7.6m)	C2G43806	C2G43827	C2G43848	C2G43869	C2G43890	C2G43911	C2G43932	C2G43953	C2G43974
30ft (9.1m)	C2G43807	C2G43828	C2G43849	C2G43870	C2G43891	C2G43912	C2G43933	C2G43954	C2G43975
35ft (10.7m)	C2G43808	C2G43829	C2G43850	C2G43871	C2G43892	C2G43913	C2G43934	C2G43955	C2G43976
50ft (15.2m)	C2G43809	C2G43830	C2G43851	C2G43872	C2G43893	C2G43914	C2G43935	C2G43956	C2G43977
75ft (22.8m)	C2G43810	C2G43831	C2G43852	C2G43873	C2G43894	C2G43915	C2G43936	C2G43957	C2G43978
100ft (30.5m)	C2G43811	C2G43832	C2G43853	C2G43874	C2G43895	C2G43916	C2G43937	C2G43958	C2G43979

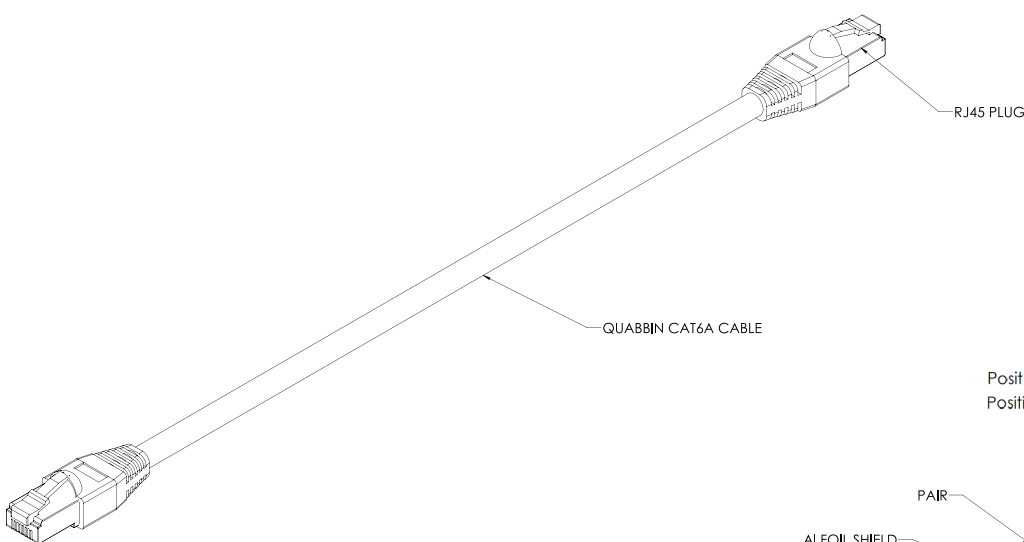
# TAA-COMPLIANT F-SERIES CAT6A SNAGLESS SHIELDED (STP) NETWORK CABLE

		C2G43791-979
ELECTRICAL SPECIFICATIONS	Conductor DC Resistance	42.6Ω/1000ft (maximum)
	Impedance	100 +/- 15 Ω
	Capacitance	13.5pf/ft @ 1MHz
	Voltage Rating	300V (maximum)
	Propagation Delay	534 + 36/√f ns/100m
	Delay Skew	<45ns/100m
PHYSICAL SPECIFICATIONS	Wiring Scheme	T568B
	Operating Temperature Range	-4°F to 167°F (-20°C to 75°C)
	Approvals	CE; RoHS; UKCA
	Standards	Meets ANSI/TIA-568.2-D and ISO/IEC 11801-1 electrical performance
	Warranty	Lifetime
	Package Type	Polybag
CONDUCTOR	Conductor Gauge	26AWG
	Insulation	HDPE: .009in nominal wall thickness
	Twist Pair	Blue, White/Blue, Orange, White/Orange, Green, White/Green, Brown, White/Brown
	Shield	AL Foil Shield, 100% Coverage
CONNECTORS	Connector	RJ45 (8P8C)
	Connector Type	Snagless
	Gender	Male
	Contacts	Gold Plated 50μ
	Hood	Molded PVC
OVERALL CABLE	Jacket	PVC
	Jacket Rating	CMR
	OD	6.0mm

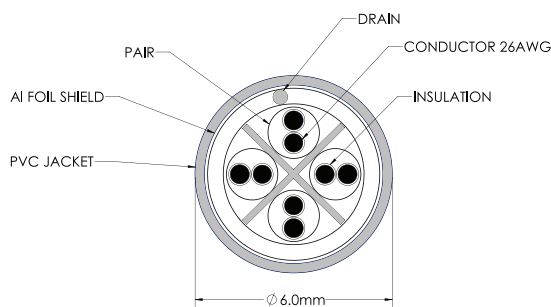
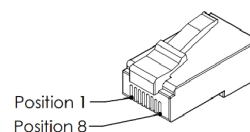


# TAA-COMPLIANT F-SERIES CAT6A SNAGLESS SHIELDED (STP) NETWORK CABLE

## SPECIFICATIONS



WIRE MAP T568B		
8P8C PIN#	WIRE COLOR	8P8C PIN#
1	WHT/ORG	1
2	ORG	2
3	WHT/GRN	3
4	BLU	4
5	WHT/BLU	5
6	GRN	6
7	WHT/BRN	7
8	BRN	8



### LEGRAND | AV COMMERCIAL BRANDS

C2G | Chief | Da-Lite | Luxul | Middle Atlantic | Vaddio | Wiremold

#### SIMPLIFIED CONNECTIVITY

USA 800.506.9607 | [legrandav.com](http://legrandav.com) | [customer-service@c2g.com](mailto:customer-service@c2g.com)

EMEA +31 495 580 840 | [legrandav.com](http://legrandav.com) | [c2g.emea@av.legrand.com](mailto:c2g.emea@av.legrand.com)

©2024 Legrand AV Inc. 240131 Rev A 3/24 C2G is a registered trademark of Legrand AV Inc. All other brand names or marks are used for identification purposes and are trademarks of their respective owners. All patents are protected under existing designations. Other patents pending.