

SUPERBOOSTER® USB CAMERA EXTENDER

Superbooster® USB Camera Extender Over Cat6 Single Gang Wall Plate to Box Kit

Conquer USB length limitations

C2G Superbooster USB Extenders deliver reliable USB signal transmission for USB devices, allowing devices such as cameras, interactive whiteboards and printers to be placed at greater distances from the host computer.

Tested and proven

The C2G Superbooster USB Camera Extender has undergone rigorous compatibility testing with industry-leading video conferencing cameras, ensuring total reliability and deployment confidence, plus saving valuable time for AV integrators as well.

This camera extender is designed with chipset technology that offers a higher compatibility rate than other USB extenders on the market. The C2G Superbooster USB Camera Extender has been tested and proven by C2G to support leading PTZ cameras.

Performance

This Superbooster® USB Camera Extender provides reliable USB data extension from a computer to a USB camera up to 150 feet (45.7m) over a standard Cat6 network cable—making it an ideal solution for conference rooms, command centers, classrooms, auditoriums and medical facilities.

This plug-and-play solution consists of one wall plate and one box (each can be used as either a transmitter or a receiver).



C2G54276



Front



Back

ITEM DESCRIPTION

C2G54276 Superbooster® USB Camera Extender Over Cat Single Gang Wall Plate to Box Kit

Optional Accessories

C2G98038 Nickel Wall Plate and Face Plate for USB Camera Extender

C2G98042 USB to PHX Power Cable for Camera Extender

SUPERBOOSTER® USB CAMERA EXTENDER

Superbooster® USB Camera Extender Over Cat6 Single Gang Wall Plate to Box Kit

FEATURES

- Tested and proven to support leading PTZ cameras at 1080p or 4K resolutions depending on the camera
- Extends a USB camera up to 150ft (45.7m) over Cat6
- Lower power consumption—typically 0.5W
- Bi-directional data and power transfer—simplifies installation by allowing the same module to be used as either a transmitter or receiver
- As easy to use as a passive cable. Plug and play with no software or drivers required
- Up to 1.5A power delivery from host to device
- Optional external power to support high-current devices (up to 3A)
- Supports a dual-mode USB-C device when explicit device mode is selected
- Compatible with USB 2.0. Compatible to USB 1.1 if a USB 2.0 hub is used on the device end
- Occupies no tier of the USB host/device hierarchy
- Mounting bracket included for receiver box
- Backed by a 5-year warranty



C2G54276

Tested by C2G to be compatible with the following cameras:

- AVAYA RC100
- AVer Cam550
- AVer TR333V2
- Bose Video Bar VB1
- Huddlecam
- Huddly IQ
- Jabra PanaCast 50
- Logitech BCC950
- Logitech Brio 4K
- Logitech Meetup
- Logitech Rally Bar
- Logitech Rally Camera
- Owl Labs Meeting Owl 3
- Polycom Poly Studio 4K USB video
- Polycom Poly Studio X50 - device mode
- Vaddio IntelliSHOT
- Vaddio RoboSHOT
- Yealink UVC86

*We will test your camera if it's not on this list! Contact us to make arrangements.

SUPERBOOSTER® USB CAMERA EXTENDER

COMPATIBILITY TEST

Cameras were tested with C2G54275, C2G54276 and C2G54277

Camera/Host Computer	Camera Model	Camera Max Resoluton & Frame Rate	Dell Latitude 5500	Dell Inspiron 15 5000	Lenovo ThinkPad L15	Lenovo ThinkPad X1 Carbon	HP Spectre x360	Windows Surface Laptop 4	CTL Chromebook	Apple Macbook Pro M1
Logitech Meetup	V-R0007	4K30	1080/30	1080/30	1080/30	1080/30 ⁴	1080/30	1080/30	1080/30 ⁵	1080/30
Logitech Rally Bar	VR-0019	4K30	1080/30	1080/30	1080/30	1080/30	1080/30	1080/30	1080/30 ⁶	1080/30
Logitech Rally Camera	V-R0010	4K30	1080/30	1080/30	1080/30	1080/30 ⁴	1080/30	1080/30	1080/30	1080/30
Logitech BCC950	960-000866	1080/30	1080/30	1080/30	1080/30	1080/30 ⁴	1080/30	1080/30	1080/30	1080/30
Polycom Poly Studio 4K	P009	4K30	1080/30	1080/30	1080/30	1080/30	1080/30	1080/30	1080/30	1080/30
Polycom Poly Studio X50	2200-85970-001	4K30	1080/30	1080/30	1080/30	1080/30	1080/30	1080/30	1080/30	1080/30
Owl Labs Meeting Owl 3	MTW300-1000	Panoramic 1080/30	1080/30	1080/30	1080/30	1080/30	1080/30	1080/30	1080/30	1080/30
AVer TR333V2	PATR333V2	1080/60	1080/60	1080/60	1080/60	1080/60	1080/60	1080/60	1080/30 ⁷	1080/60
AVer Cam550	COMCAM550	4K30	1080/60	1080/60	1080/60	1080/60	1080/60	1080/60	N/A ⁸	1080/60
Logitech Brio 4K	V-U0040	4K30	1080/30	1080/30	1080/30	1080/30	1080/30	1080/30	1080/30	1080/30
Jabra PanaCast 50	8200-232	Panoramic-4K: 3840x1080 @ 30fps	1080/30	1080/30	1080/30	1080/30	1080/30	1080/30	1080/30	1080/30
Yealink UVC86	UVC86	4K30	4K30	4K30 ²	4K30	4K30 ⁴	4K30	4K30	4K30 ⁹	4K30
AVAYA RC100	700515495 Rev:A02	4K30	4K30	4K30	4K30	4K30	4K30	4K30	4K30	4K30
Bose Video Bar VB1	842415-1110	4K30	1080/30	1080/30 ³	1080/30	1080/30	1080/30	1080/30	1080/30	1080/30
Vaddio IntelliSHOT ¹	999-21100-000W	1080/30 max; 720/30 expected with USB 2.0	720/30	720/30	720/30	720/30	720/30	720/30	360/30 ¹⁰	720/30
Vaddio IntelliSHOT-M	999-21182-000	1080/60	1080/60	1080/60	1080/60	1080/60	1080/60	1080/60	1080/60	1080/60
Vaddio RoboSHOT ¹	999-99200-000	1080/60 max; 540/30 expected with USB 2.0	540/30	540/30	540/30	540/30	540/30	540/30	540/30	540/30
Vaddio RoboSHOT 30E-M	999-21132-000W	1080/60	1080/60	1080/60	1080/60	1080/60	1080/60	1080/60	1080/60	1080/60
Huddly IQ	H1-MBLK E44A00355	1080/30	1080/30	1080/30	1080/30	1080/30	1080/30	1080/30	1080/30	1080/30
Huddlecam	HC10X-GY-G3	1080/30	1080/30	1080/30	1080/30	1080/30	1080/30	1080/30	1080/30	1080/30

FOOTNOTES ON TEST RESULTS

- For best performance, use C2G USB 3.2 Extenders like C2G54265, C2G54266, C2G54267, or C2G54268. These particular Vaddio cameras do not perform as well with USB 2.0 because they do not use USB compression. 540p is the expected result, with the exception of the IntelliSHOT which has "light compression." Alternatively, Vaddio IntelliSHOT-M and Vaddio RoboSHOT 30E-M were optimized for USB 2.0 and will work well with the extender.
- After multiple intermittent disconnections, there was a delay of several seconds for the camera to reconnect after rebooting the PC.
- The camera's speaker did not recover from sleep state until input/output were modified (from Bose to Windows default and back to Bose) in the system settings.
- The default Windows camera app displayed a blank, black screen when the camera was toggled on. This was resolved with a hotplug or power cycle. Video and audio should work normally using other video apps.
- Intermittent disconnect during testing.
- In some test cases, camera would not successfully toggle on after a state change. This was resolved by hotplugging the source device.
- After PC went into sleep state, there was a delay of several seconds for the camera to reconnect at times when woken up.
- There was a fundamental incompatibility between these two devices, (excluding the extender) so this test case was eliminated.
- There was a several second delay for the camera to connect to the PC host.
- There were resolution inconsistencies in this test case. 360p is the max resolution achievable through the camera extender.

Key	
Pass	Pass
Failure	Failure
Intermittent Failure	Intermittent Failure
Intermittent Failure; Less Pronounced	Intermittent Failure; Less Pronounced

HOW TESTS WERE CONDUCTED

Source + C2G Superbooster USB Camera Extender (C2G54275, C2G54276, C2G54277) + Camera (cables in between devices were randomized).

SUPERBOOSTER® USB CAMERA EXTENDER

Superbooster® USB Camera Extender Over Cat6 Single Gang Wall Plate to Box Kit

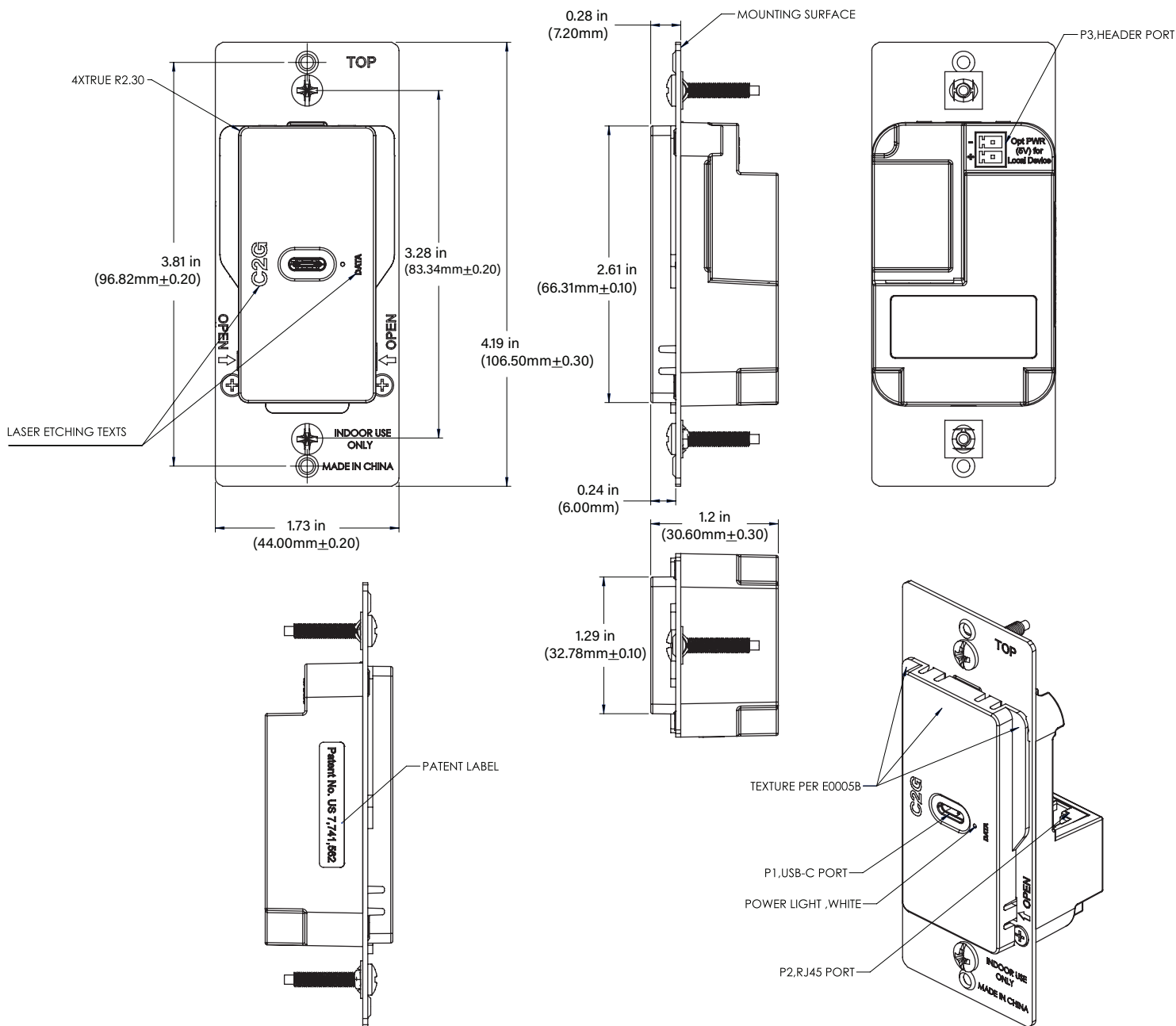
		C2G54276
ELECTRICAL SPECIFICATIONS	USB Signal	Compatible to USB 2.0. Compatible to USB 1.1 if a USB 2.0 hub is used on the device end
	Max Data Rate	480 Mbps. Supports 1080p or 4K resolutions from computer to USB camera. Does not support video via DP-Alt mode.
	Power LED	Box Front Panel: On - Product is powered on; Off - Product is powered off
	Max current draw	500 mA (per Type-A port)
PHYSICAL SPECIFICATIONS	Range/Distance	Up to 150ft (45.7m) over Cat6
	Operating Temperature	-5°C to 45°C (23°F to 113°F)
	Storage Temperature	-35°C to 60°C (-31°F to 140°F)
	Operating & Storage Humidity	20 to 90% RH (non-condensing)
PHYSICAL CHARACTERISTICS	Dimensions (HxWxD)	Transmitter: 4.19in x 1.73in x 1.2in (106.50mm x 44mm x 30.60mm) Box: 4.76in x 2.47in x 0.94in (121mm x 62.95mm x 24mm)
	Material	Wall Plate: Housing - PC; Cover - PC; Metal strap - SGCCC 1.2 Box: Metal Housing - AL6061; Side cover - PC; Mounting plate - PC
	Color	Wall Plate: Housing - Gray; Cover - White; Metal Strap - Natural Box: Metal Housing - Black; Side cover - Black; Mounting Plate - Black
	Regulatory Approvals	CE marked; Conforms to 2011/65/EU ROHS 2
CABLE SPECS	USB-C Port	Bi-directional data and power transfer
	RJ45 / Ethernet Port	Use Cat6/6a/7 cable for data and power transfer
	Power	Optional external power to support local devices (up to 3A)



SUPERBOOSTER® USB CAMERA EXTENDER

Superbooster® USB Camera Extender Over Cat6 Single Gang Wall Plate to Box Kit

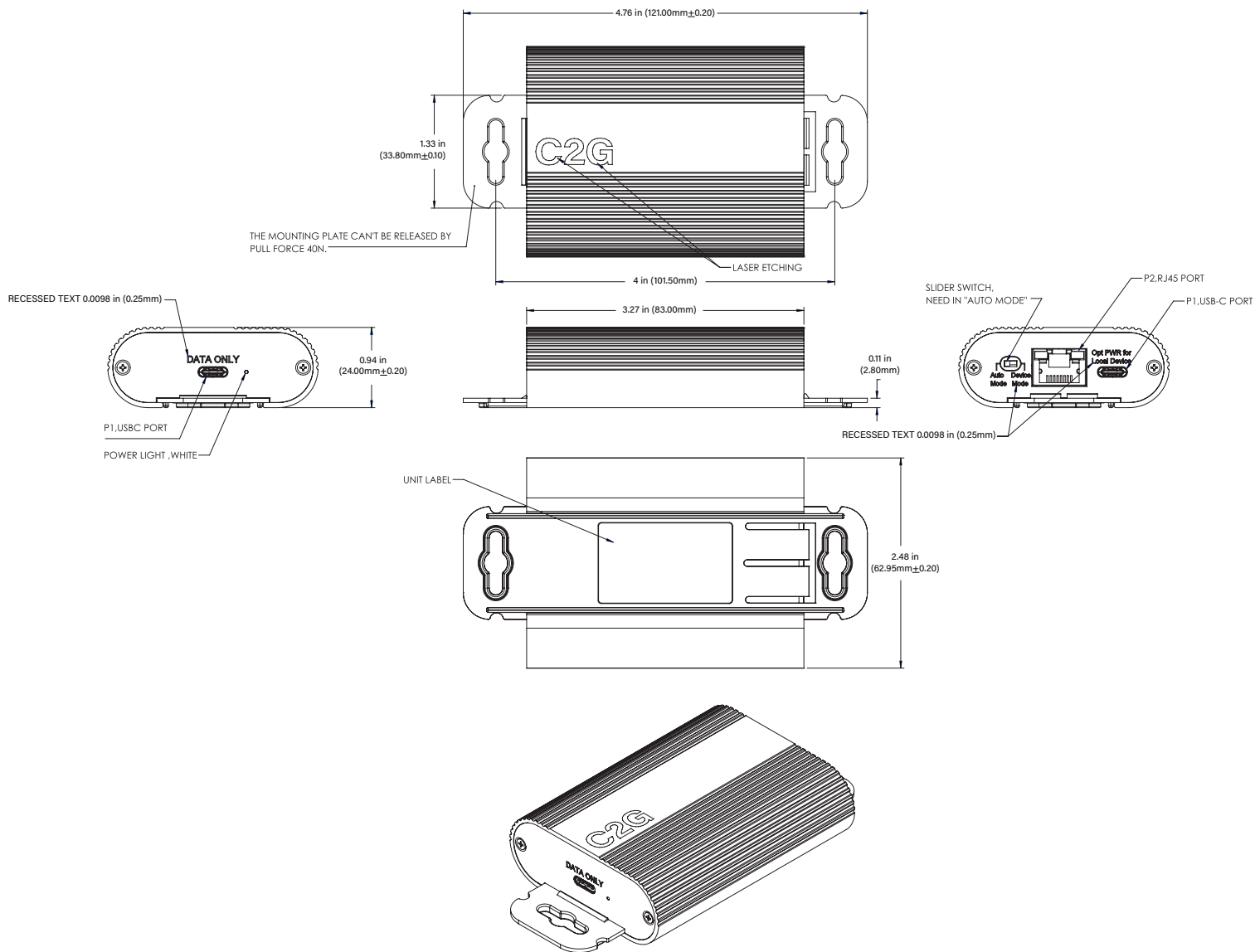
TECHNICAL DRAWING



SUPERBOOSTER® USB CAMERA EXTENDER

Superbooster® USB Camera Extender Over Cat6 Single Gang Wall Plate to Box Kit

TECHNICAL DRAWING



LEGRAND | AV COMMERCIAL BRANDS

C2G | Chief | Da-Lite | Luxul | Middle Atlantic | Vaddio | Wiremod

SIMPLIFIED CONNECTIVITY

USA 800.506.9607 | legrandav.com | customer-service@c2g.com

EMEA +31 495 580 840 | legrandav.com | c2g.emea@av.legrand.com

©2024 Legrand AV Inc. 240187 Rev A 4/24 C2G is a registered trademark of Legrand AV Inc. All other brand names or marks are used for identification purposes and are trademarks of their respective owners. All patents are protected under existing designations. Other patents pending.