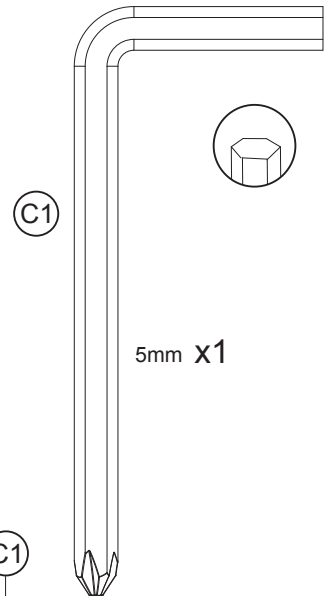
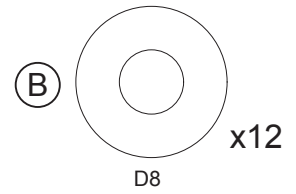
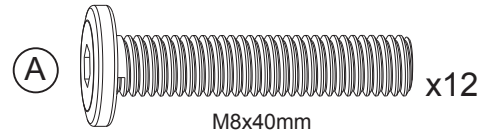
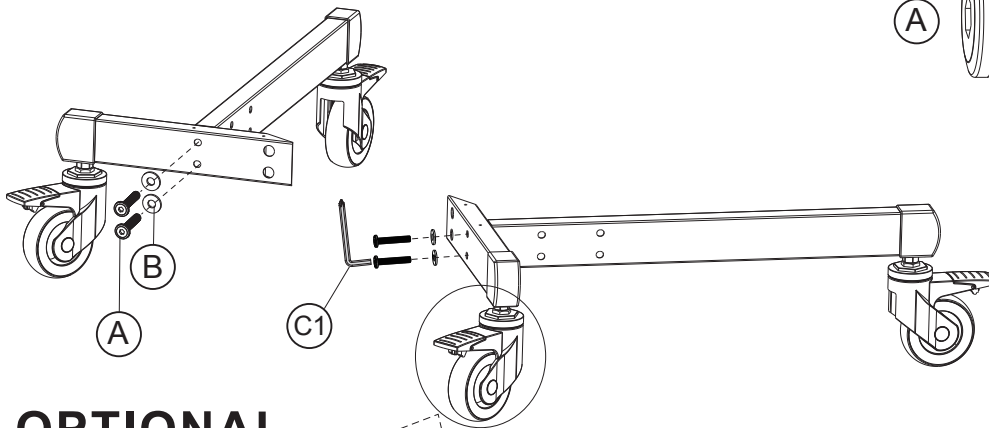
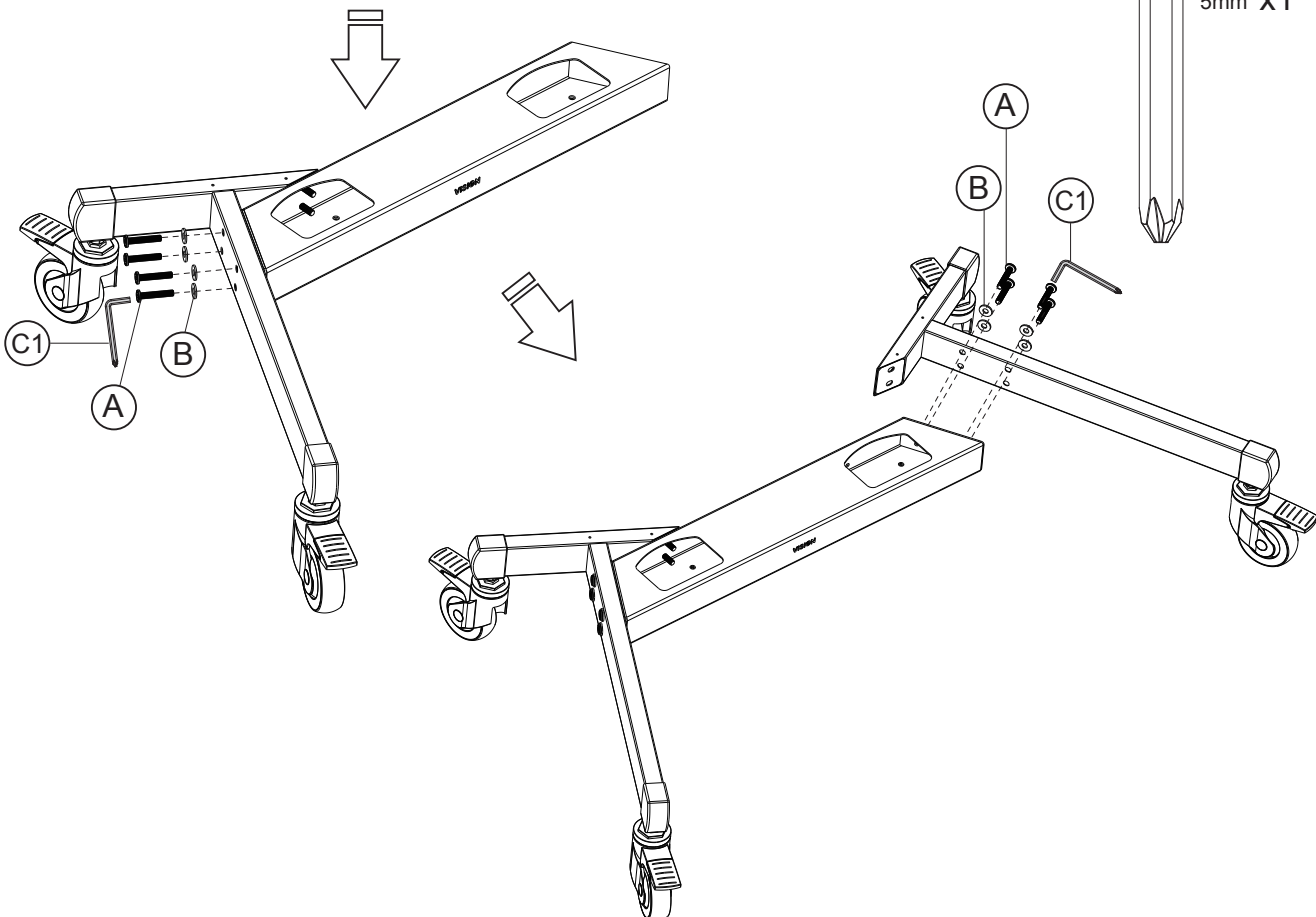
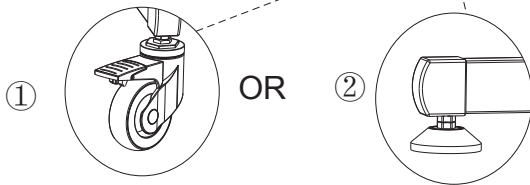


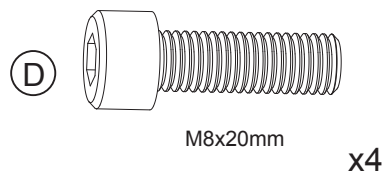
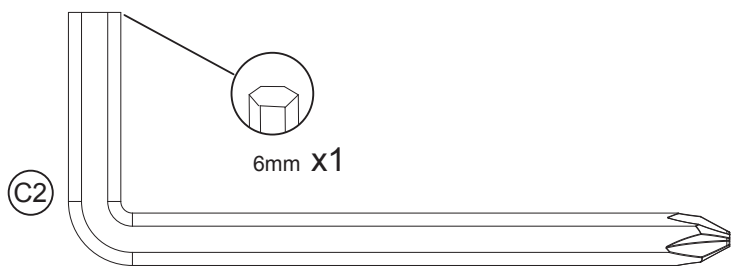
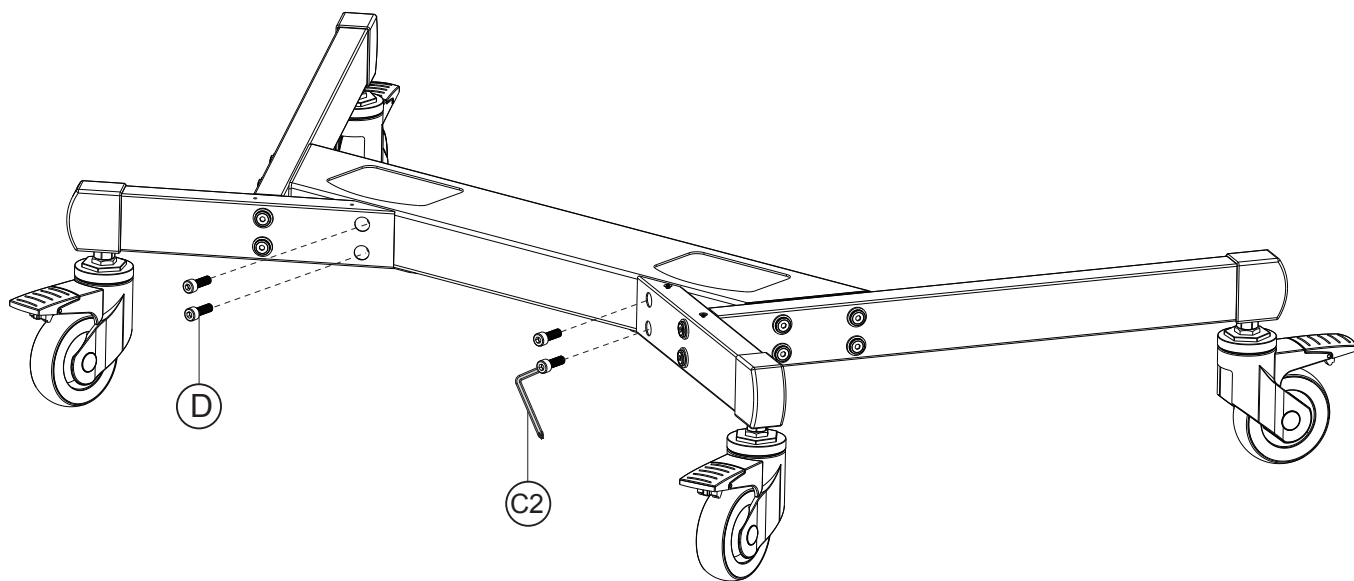
1



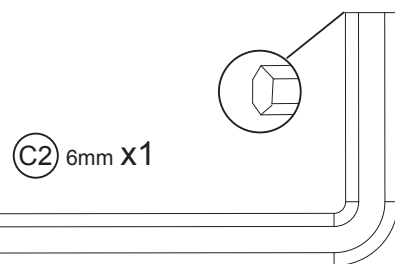
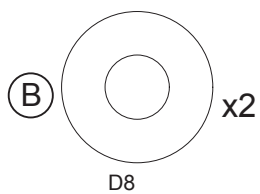
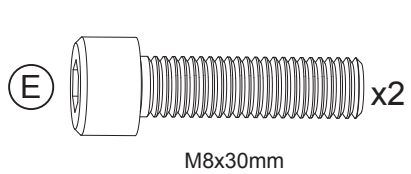
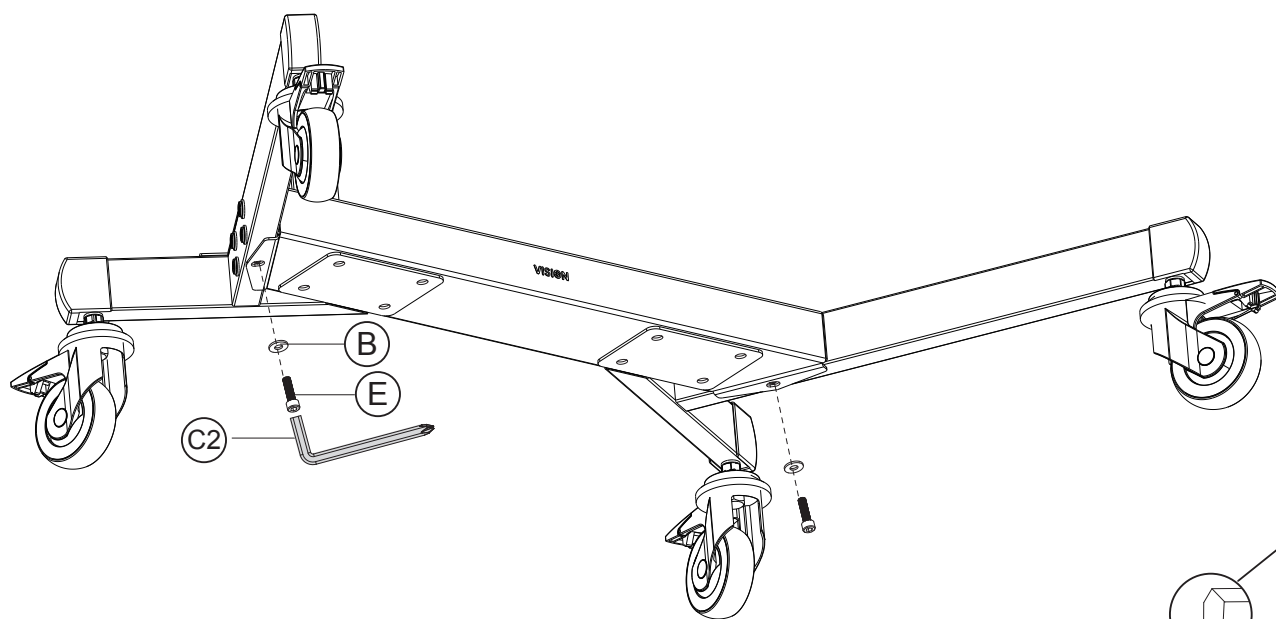
OPTIONAL



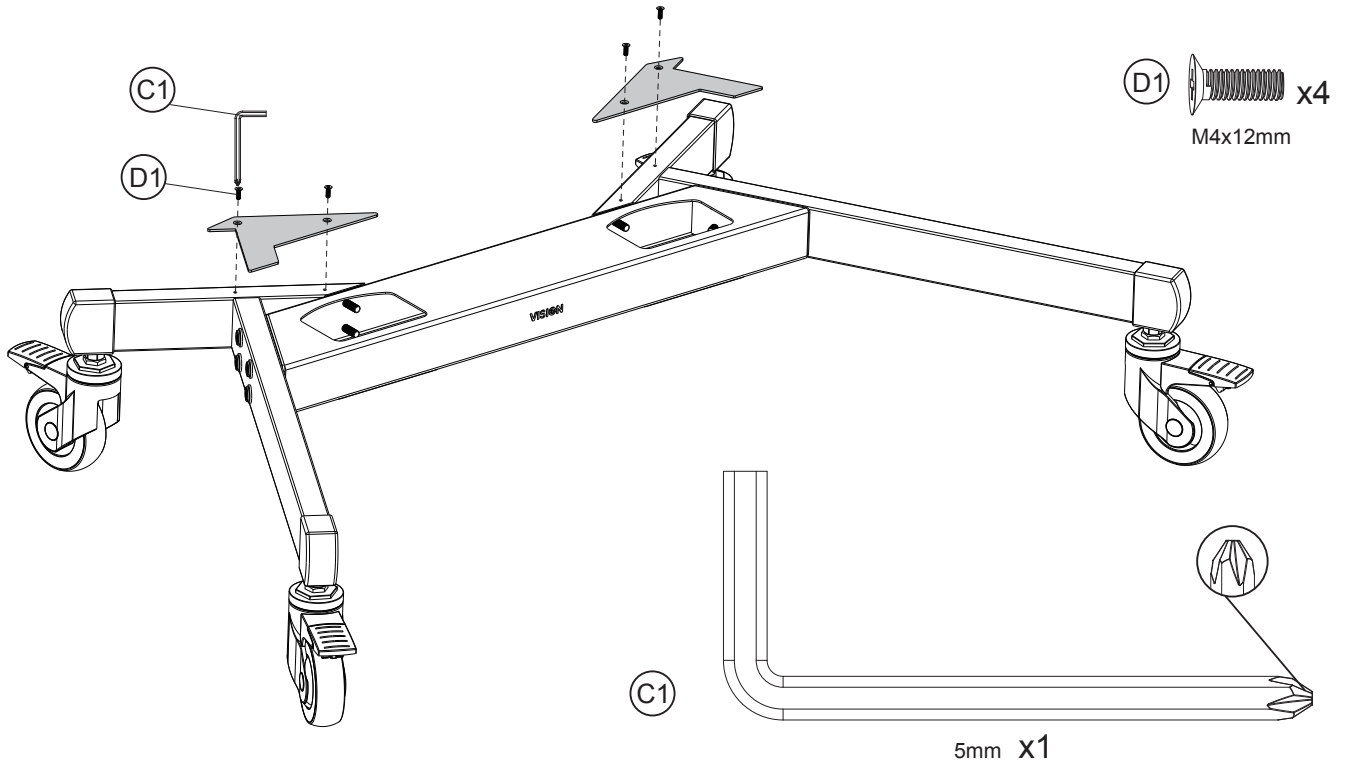
2



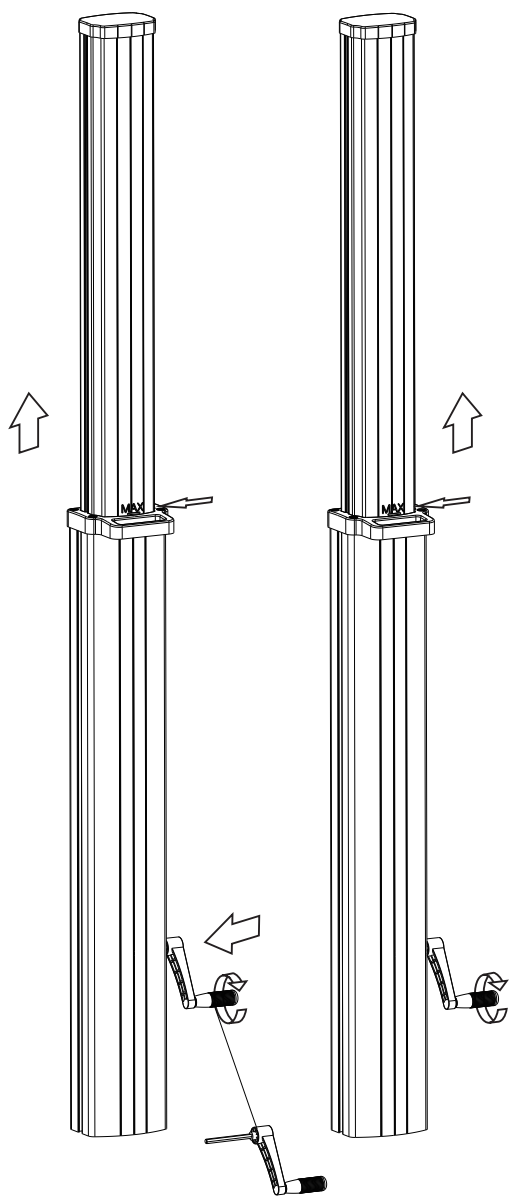
3



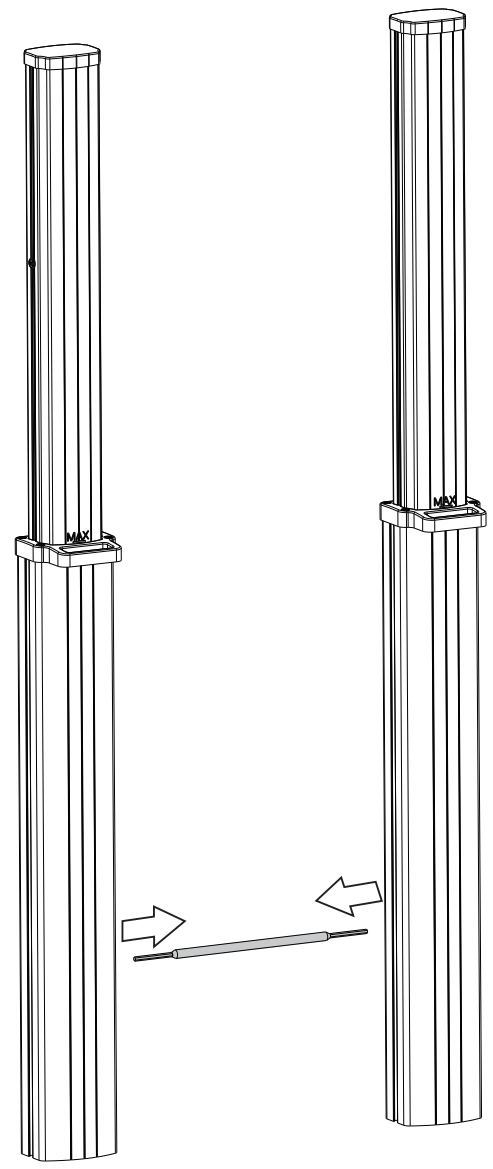
4



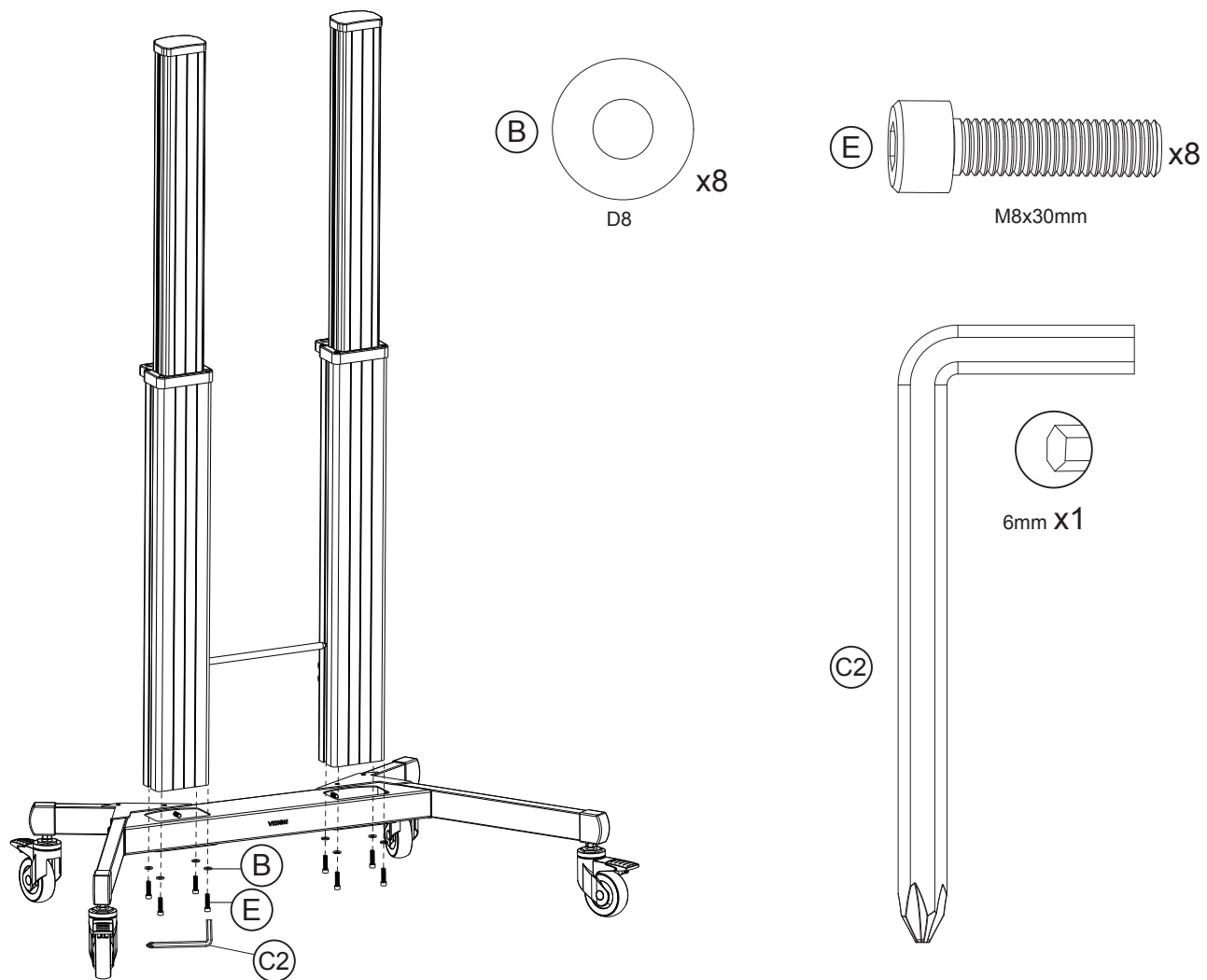
5



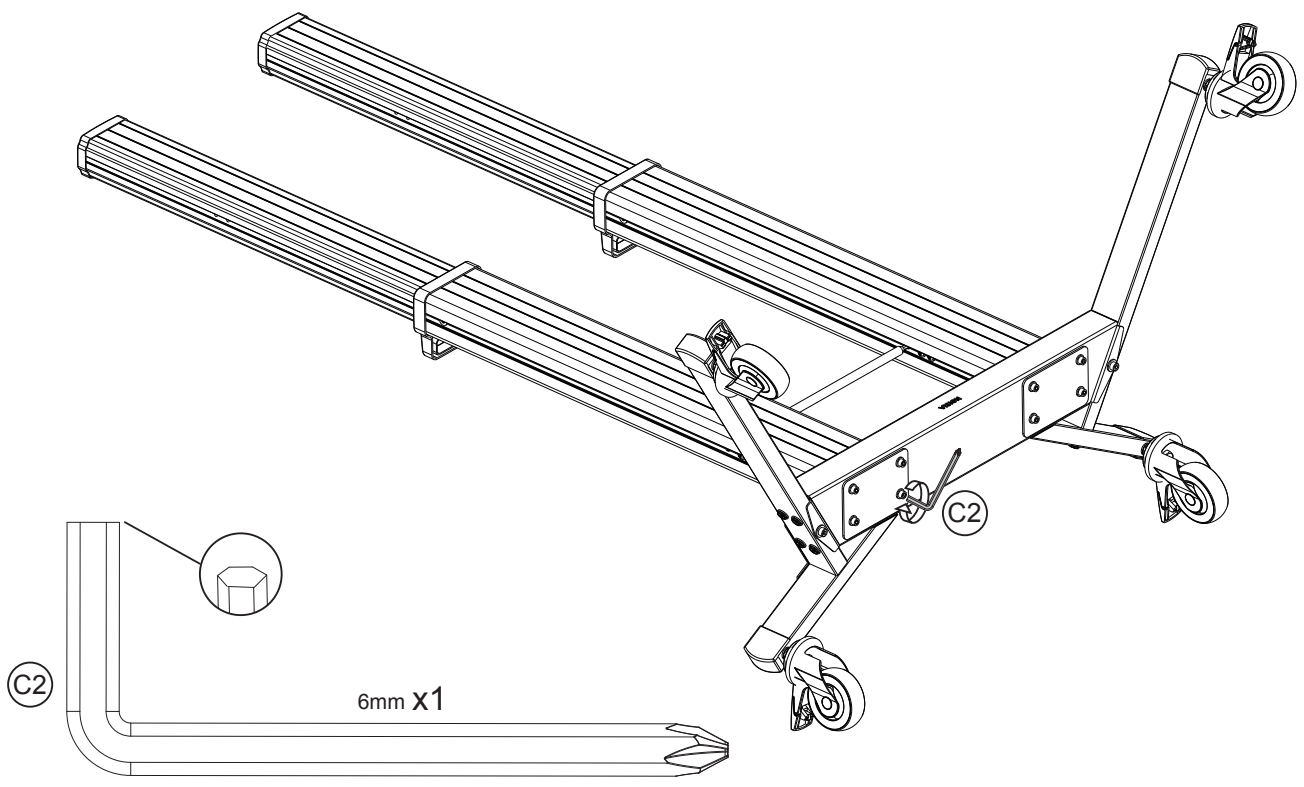
6



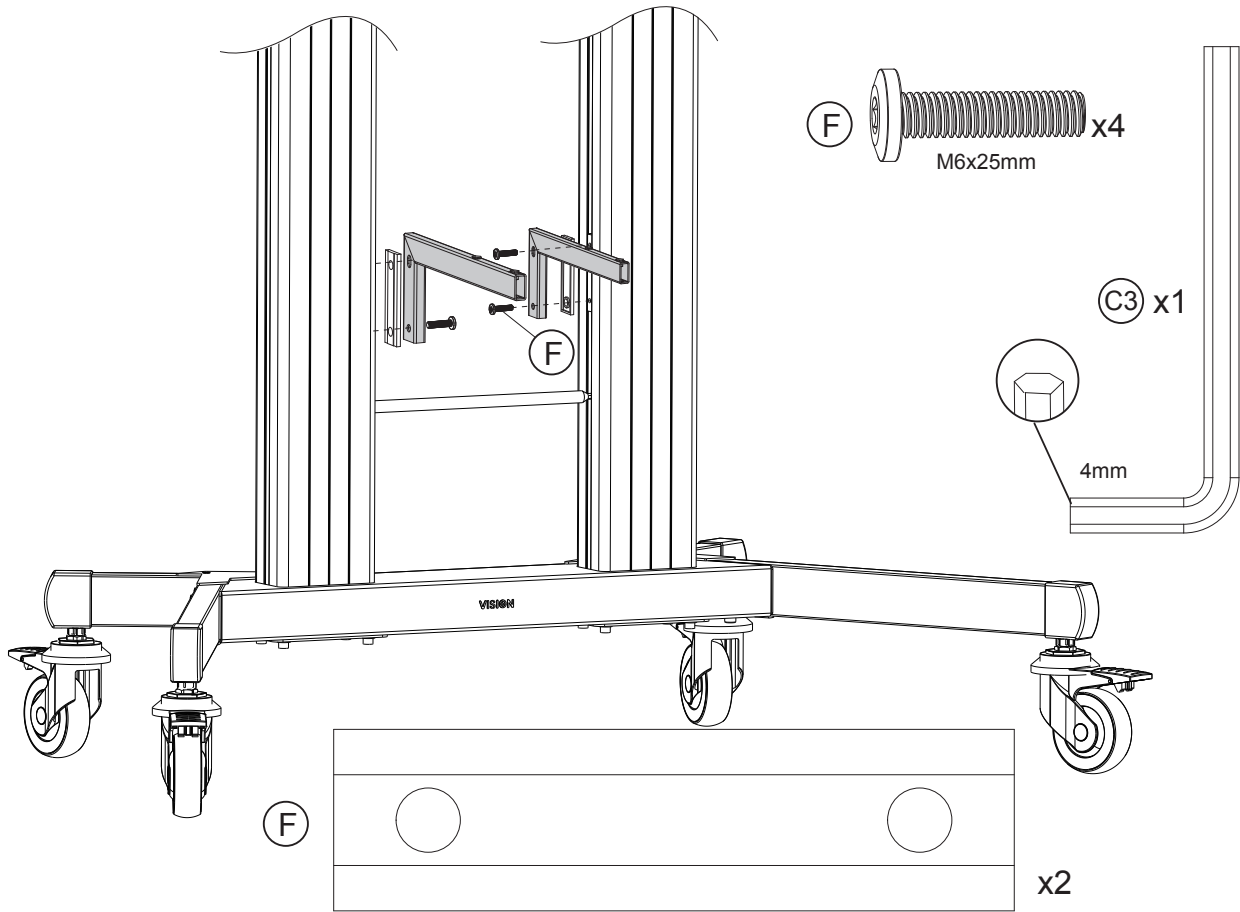
7



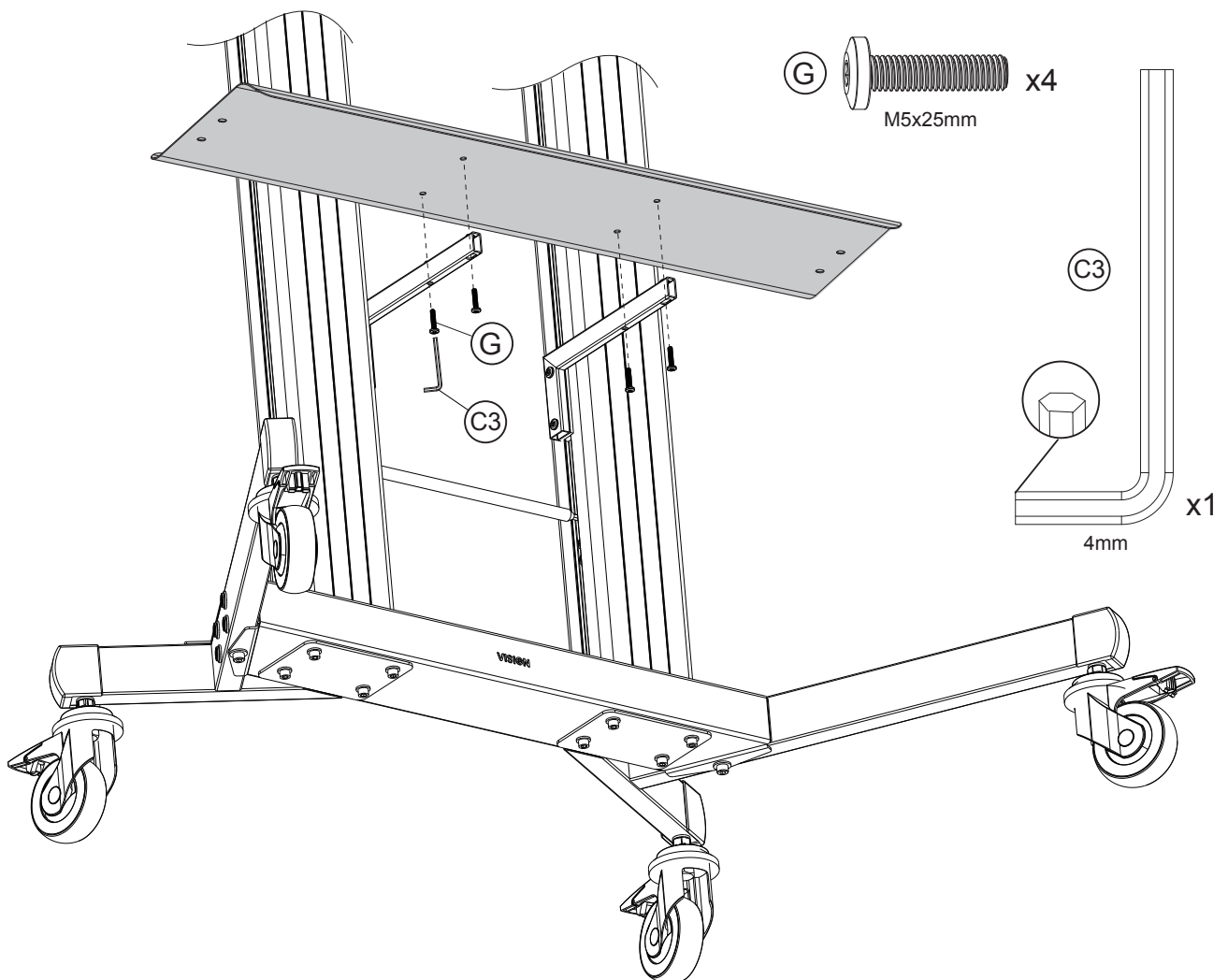
8



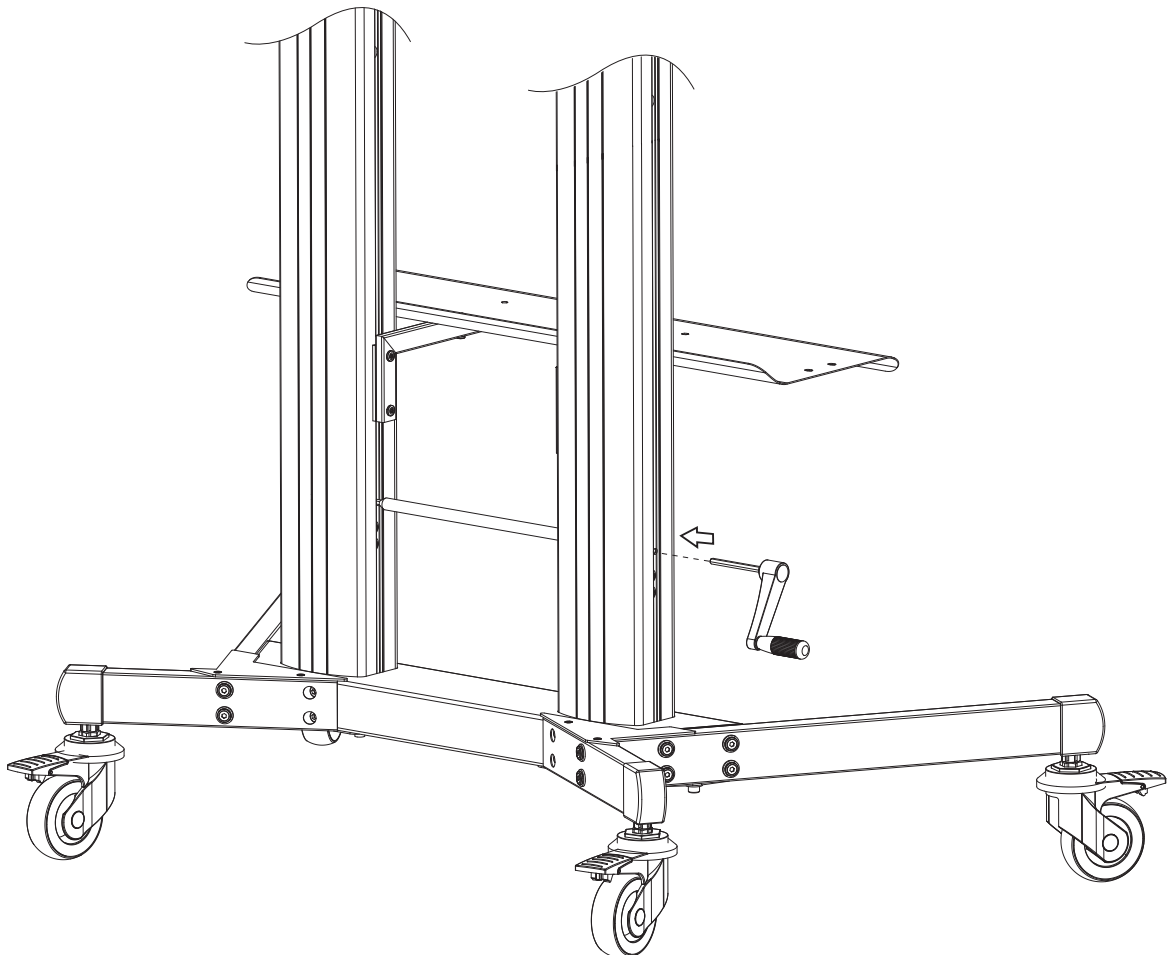
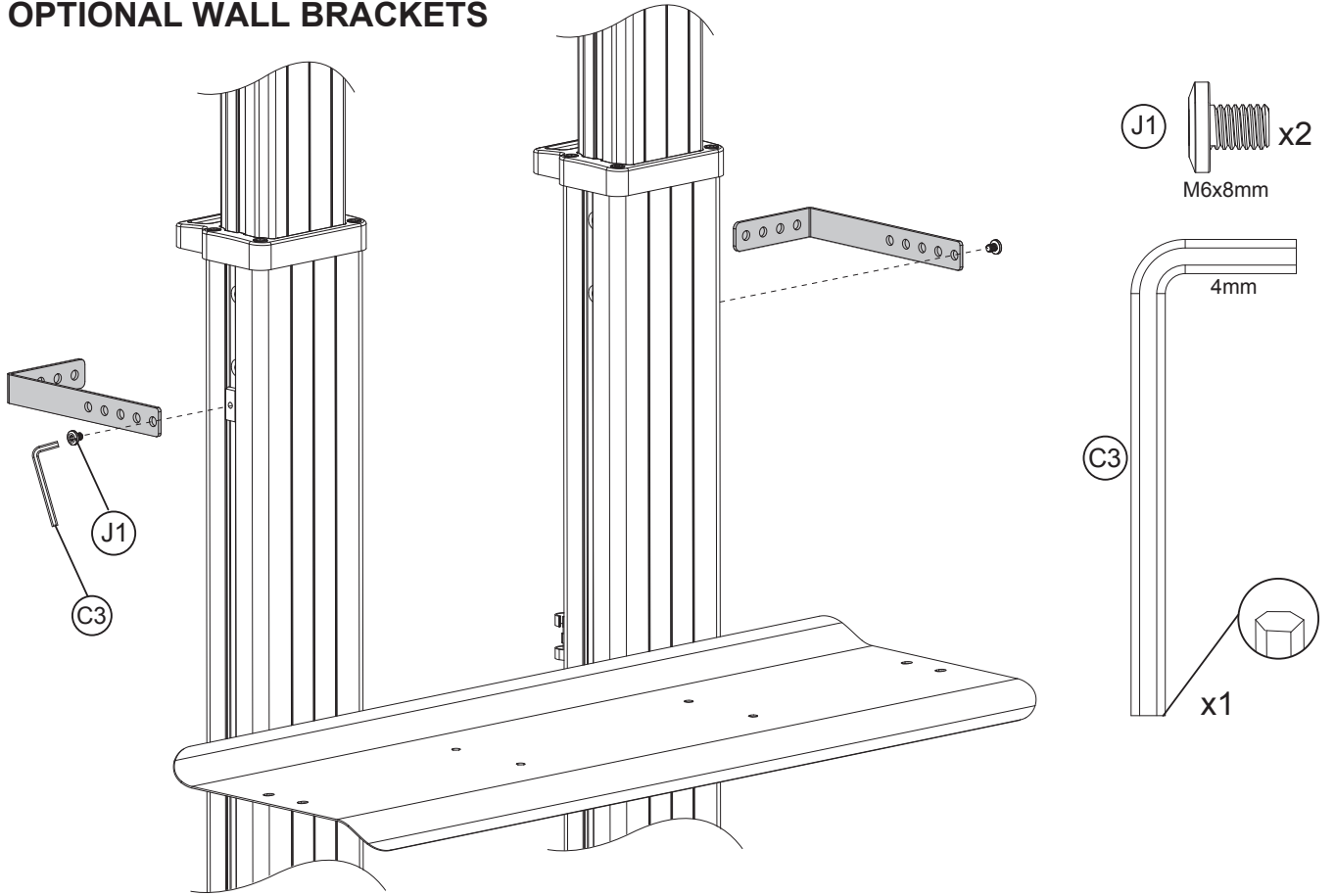
9

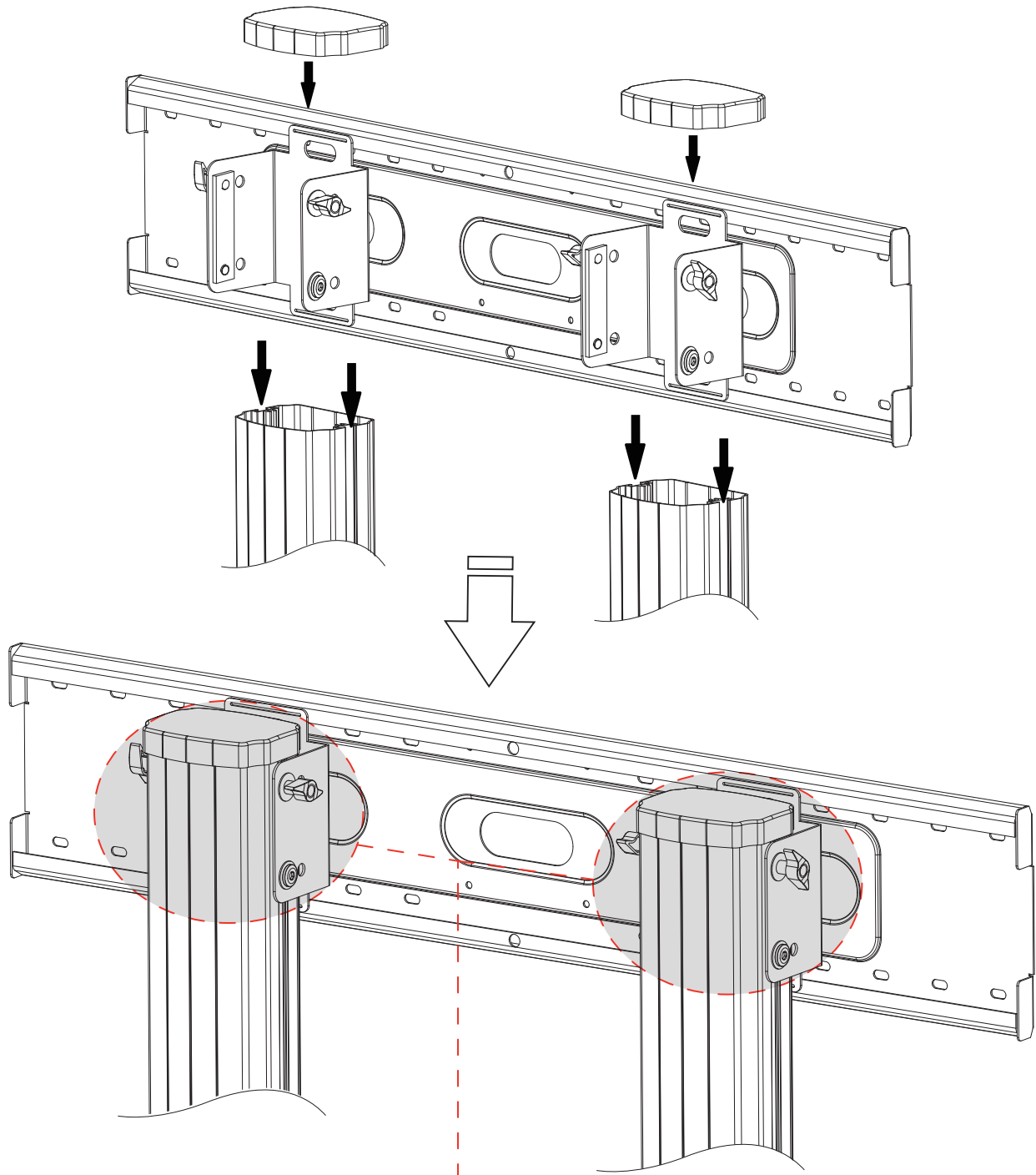


10

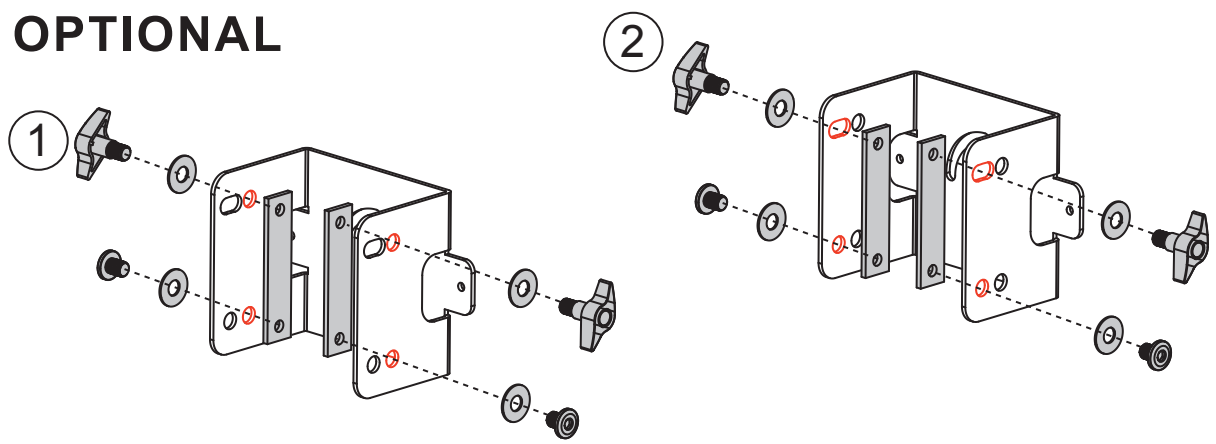


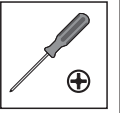
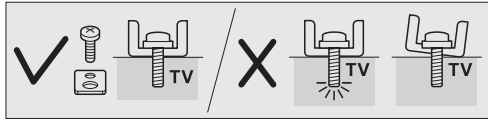
OPTIONAL WALL BRACKETS



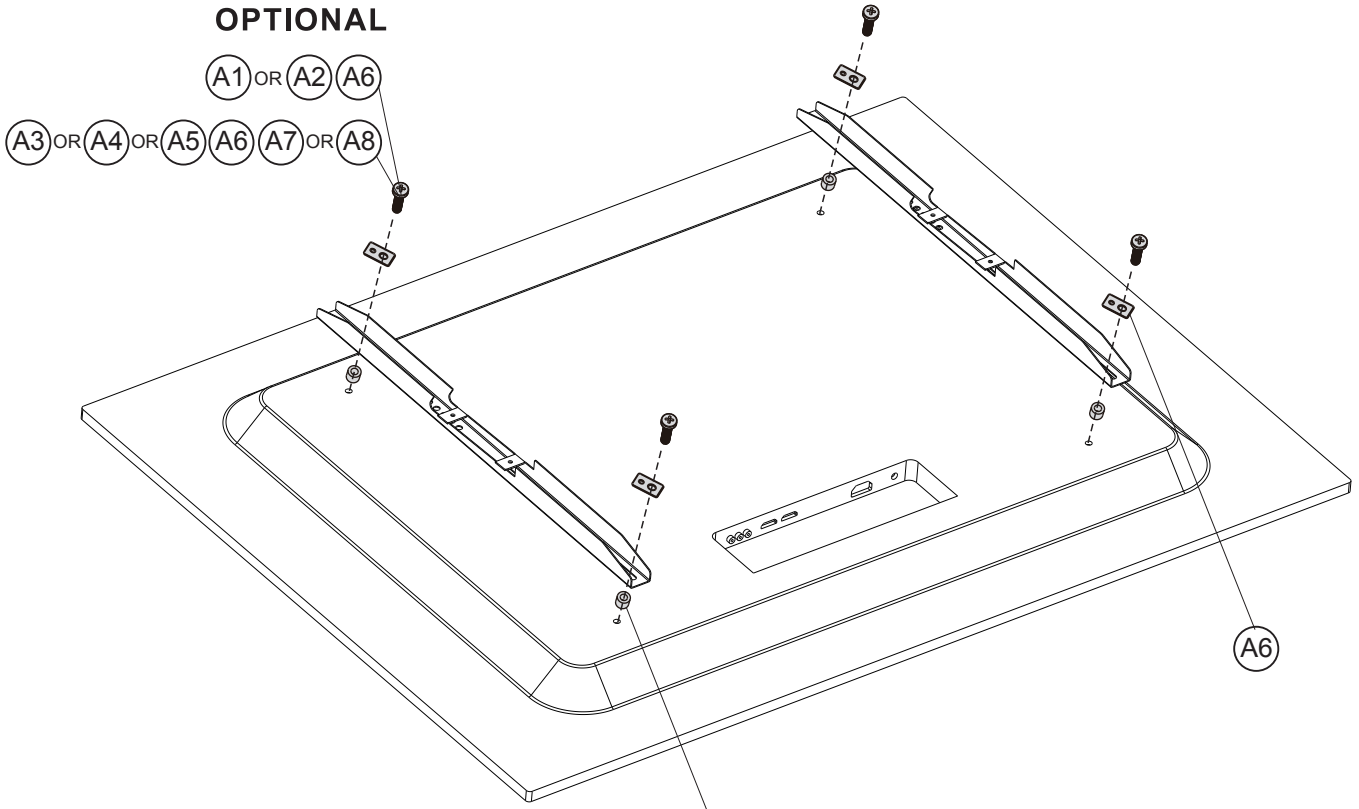



OPTIONAL








OPTIONAL



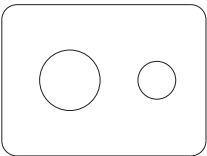
(A1)  x4
M5x14mm


(A2)  x4
M6x14mm


(A3)  x4
M6x30mm

(A4)  x4
M8x30mm

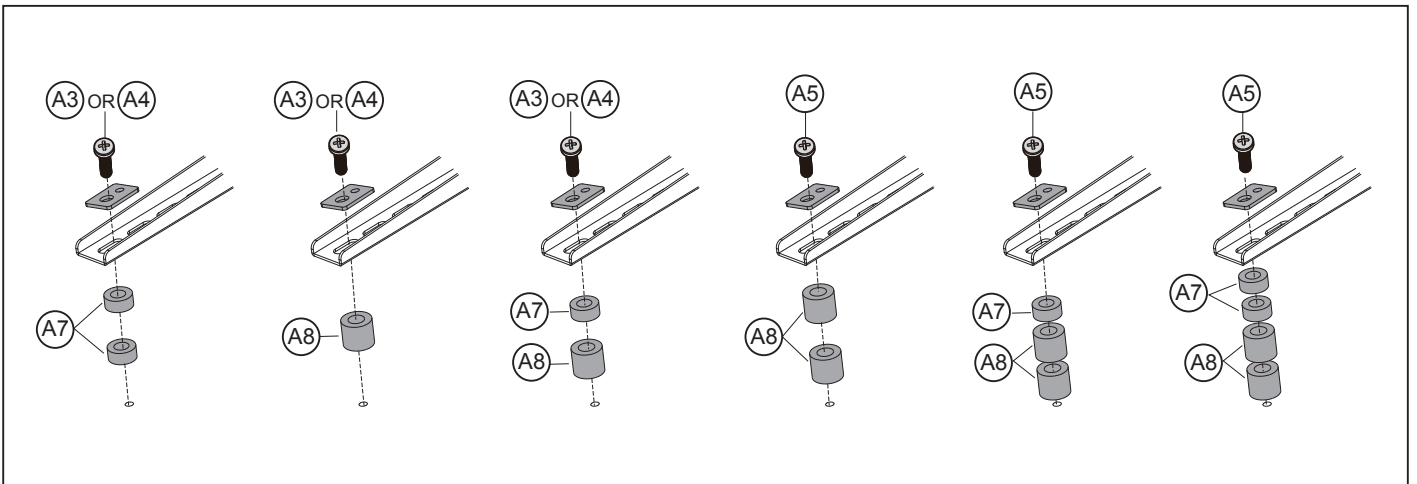
(A7) OR (A8)

(A6)  x4

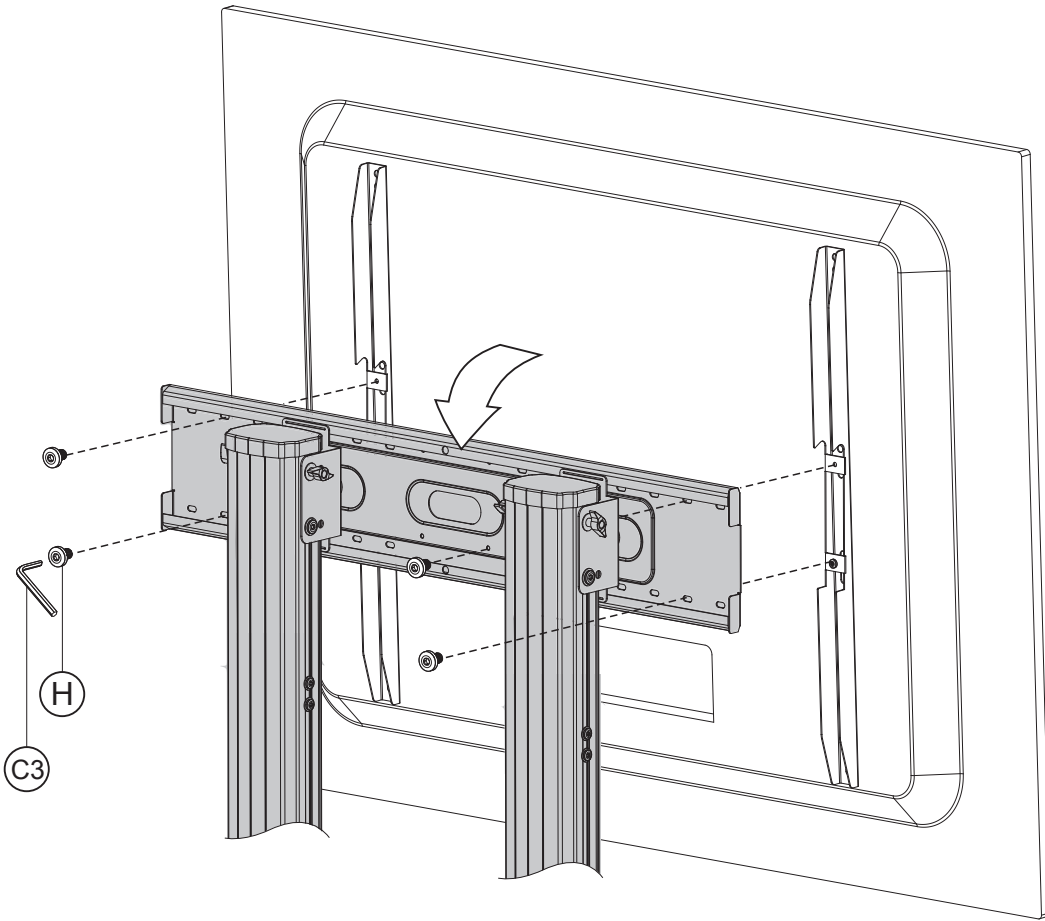
(A7)  x4

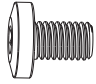
(A5)  x4

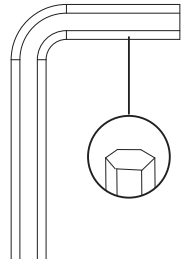
(A8)  x4



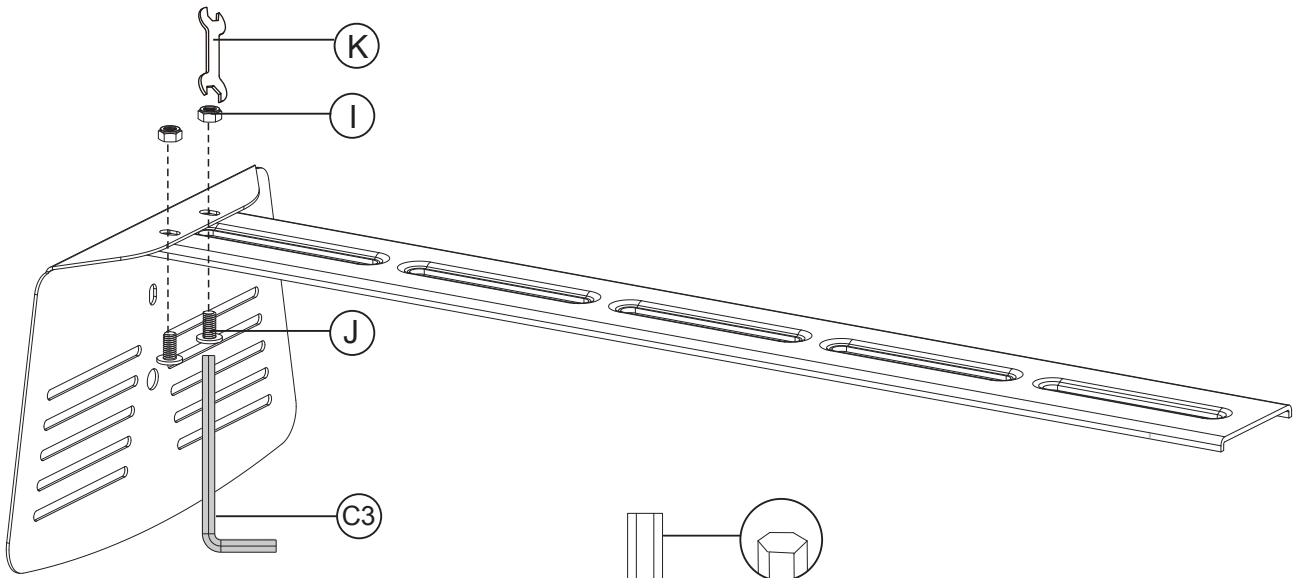
15

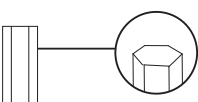



(H)  x4
M5x8mm

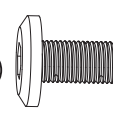
(C3)  x1
4mm

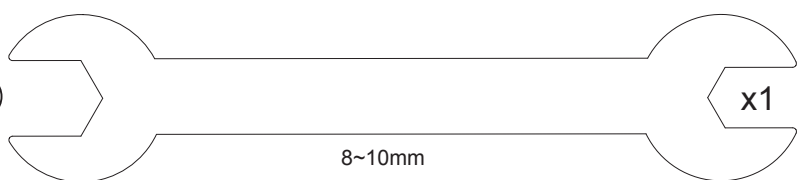
16



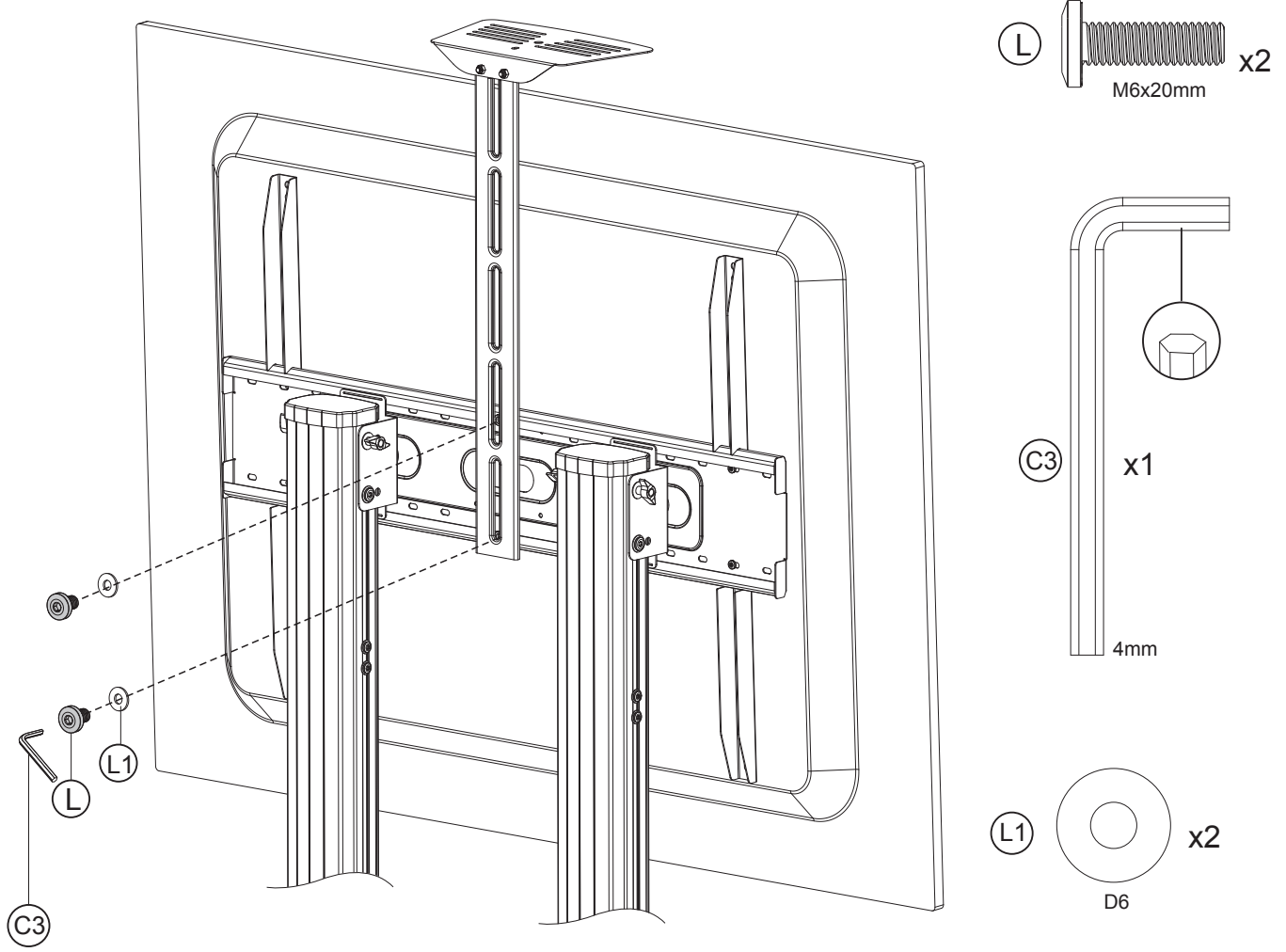
(C3)  x1
4mm

(I)  x2
M6

(J)  x2
M6x12mm

(K)  x1
8~10mm

17



18

