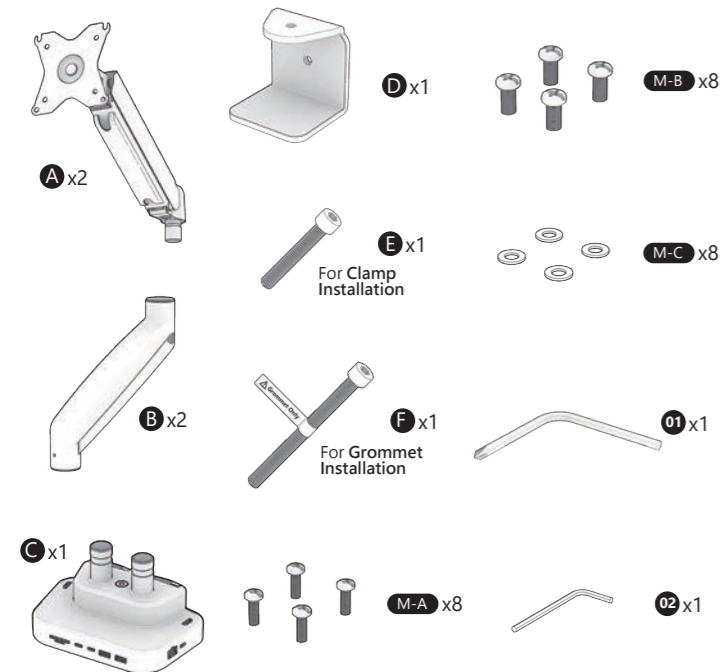


# Ergonomic Dual-Monitor Mount with Docking Station | JTSA302

## Assembly Instructions

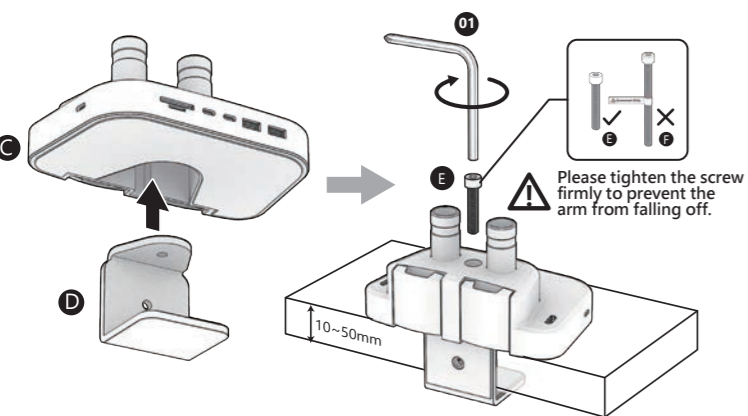
### Content



### Step.01

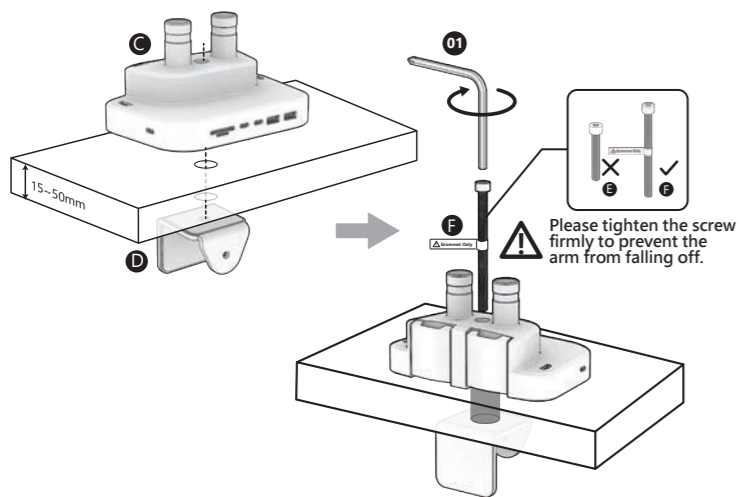
#### Clamp Installation

※If you prefer grommet installation please look at the "Grommet Installation".

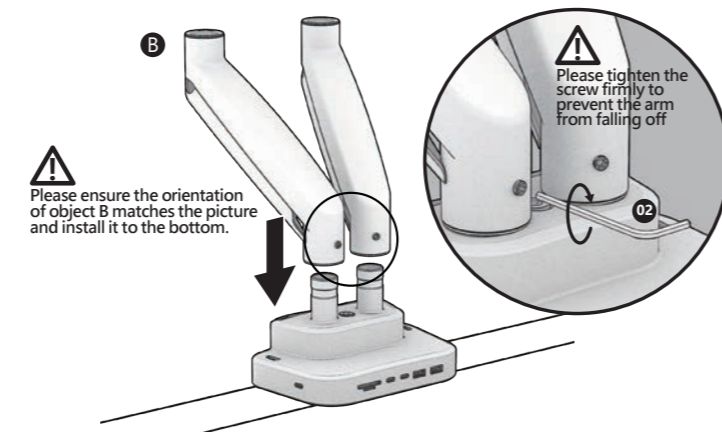


#### Grommet Installation

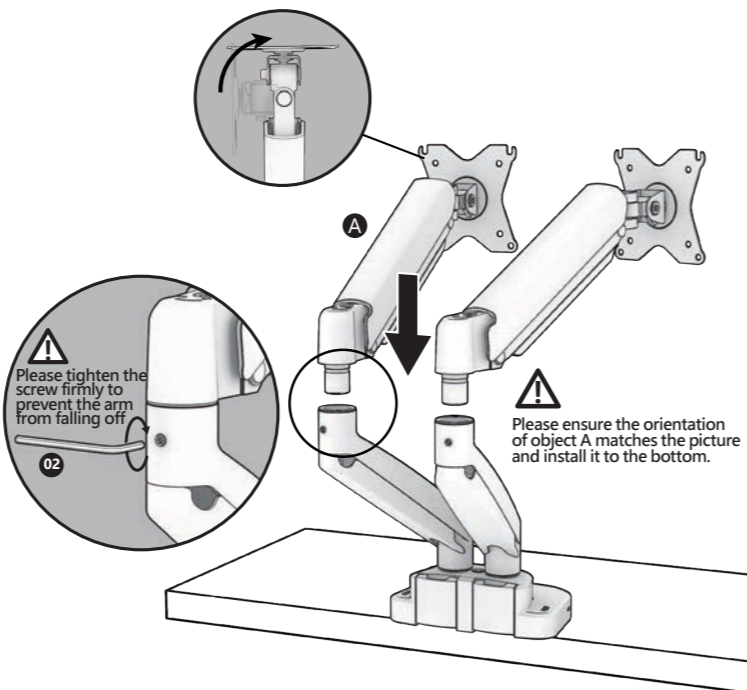
※The table needs to have a hole or you can drill a hole yourself.



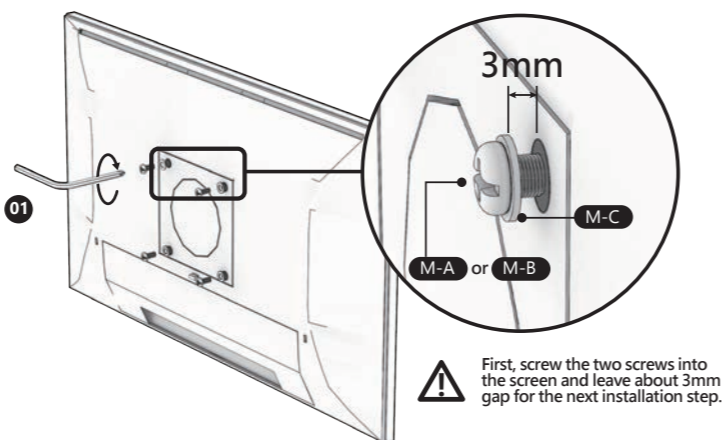
### Step.02



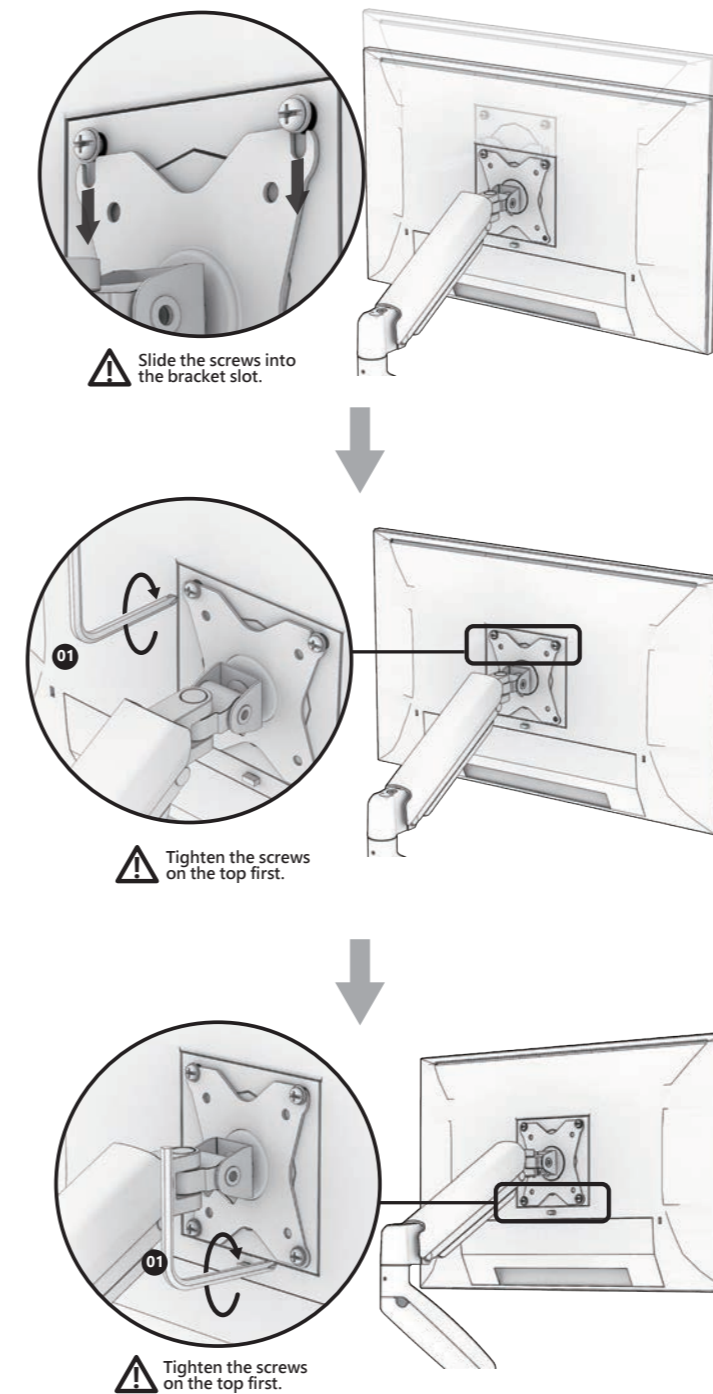
### Step.03



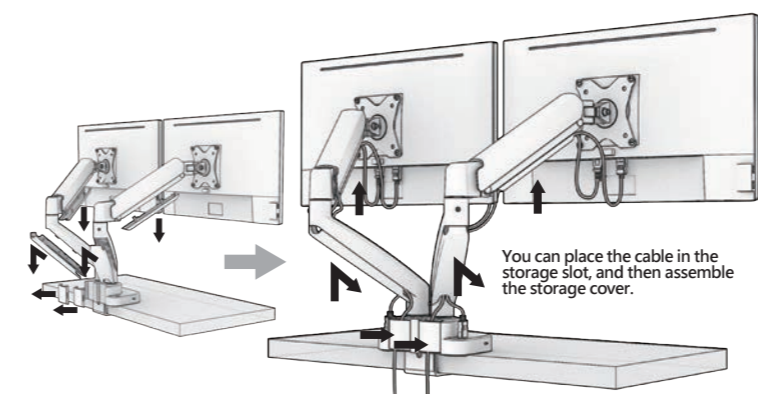
### Step.04



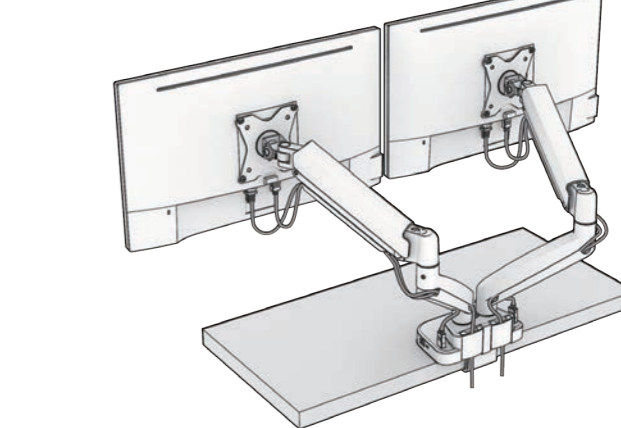
### Step.05



### Step.06



### Complete



### Movable Angle

