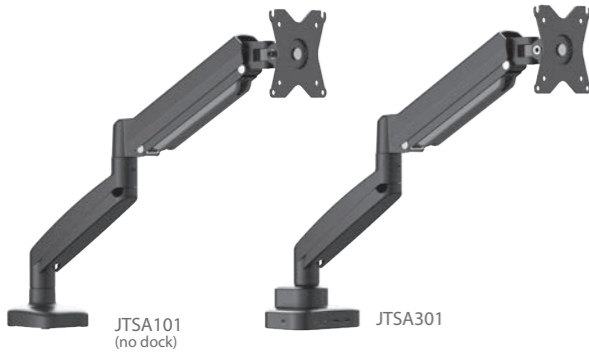


Ergonomic Monitor Mount with Dock (JTSA301)

Ergonomic Monitor Mount (JTSA101)

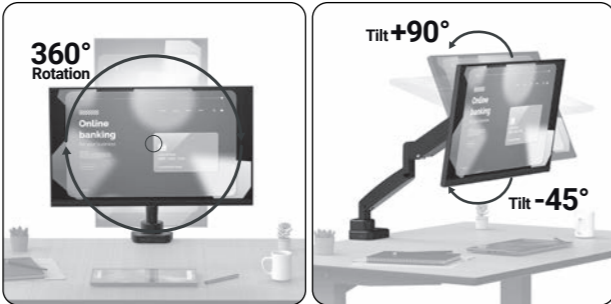
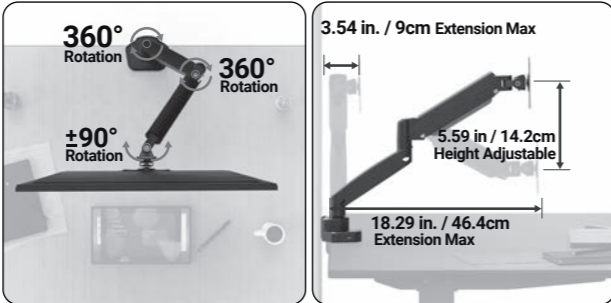


- EN : Quick Installation Guide
- DE : Kurzanleitung Für Installation
- FR : Guide D'installation Rapide
- IT : Guida rapida all'installazione
- NL : Beknopte installatiehandleiding
- ES : Guía De Instalación Rápida
- PT : Guia de instalação rápida
- SE : Snabbinstallationsguide
- DK : Startvejledning
- NO : Hurtiginstallasjonsveiledning
- FI : Pika-asennusopas
- HU: Gyors telepítési útmutató
- RU : Руководство по быстрой установке
- 日本語 : クイックインストールガイド
- 繁体中文 : 快速安裝手冊
- 簡中文 : 快速安裝手冊

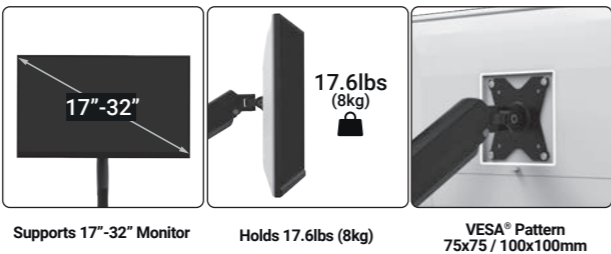
■ JTSA301 Ergonomic Monitor Mount with Dock



■ Fully Adjustable



■ Wide Compatibility



English

- An ergonomic solution for your comfort, the perfect companion for your monitor
- Supports 17" to 32" monitor weighing up to 8kg
- Easily adjusts monitor and allows the screen to swivel 180°, tilt -45°~+90° and rotate 360°. Conveniently set your monitor at an optimal angle
- Fully adjustable gas spring monitor mount with multi-function dock (JTSA301)
- Equipped with a 6-in-1 dock with 4K60Hz HDMI™, 2 x USB™ Type-A 10Gbps, 2 x USB-C® 10Gbps, and up to 100W PD pass through charging. (JTSA301)
- Simple to install, includes clear instructions and all necessary tools

■ System Requirements

- DisplayPort™ 1.4 required on graphics card or video source to support 4K@60Hz (JTSA301)

Deutsch

■ Eigenschaften

- Eine ergonomische Lösung für Ihren Komfort, die perfekte Begleitung für Ihren Monitor
- Unterstützt einen Monitor zwischen 17 Zoll und 32 Zoll und mit einem Gewicht bis zu 8 kg, ist mit Windows® und macOS® kompatibel.
- Mühelos anpassbarer Monitor, wobei der Bildschirm um 180 ° geschwenkt, um -45°~+90° geneigt und um 360 ° gedreht werden kann. Stellen Sie Ihren Monitor ganz bequem auf einen optimalen Winkel ein.
- Voll verstellbare Monitorhalterung mit Gasfeder und multifunktionalem Dock (JTSA301)
- Die Ausstattung umfasst einen 6-in-1-Dock mit 4K-HDMI™ bei 60 Hz, 2 x USB™ Typ A mit 10 Gb/s, 2 x USB-C® mit 10 Gb/s und ermöglicht PD-Passthrough-Ladevorgänge bis zu 100 Watt. (JTSA301)
- Einfache Installation mitsamt klaren Anweisungen und allen erforderlichen Werkzeugen.

■ Systemanforderungen

- DisplayPort™ 1.4 zur Unterstützung von 4K bei 60 Hz auf Grafikkarten oder in Videoquellen erforderlich (JTSA301)

Français

■ Caractéristiques

- Une solution ergonomique pour votre confort, le compagnon idéal de votre moniteur
- Prend en charge un moniteur de 17" à 32" pouces de jusqu'à 8 kg et est compatible avec Windows® et macOS®
- Ajustez facilement votre moniteur et permet aux moniteurs de pivoter à -45°~+90°, de s'incliner à 180° et de tourner à 360°. Réglez rapidement votre moniteur à un angle optimal.
- Support de moniteur à ressort à gaz entièrement réglable avec station d'accueil multifonctions (JTSA301)
- Équipé d'une station d'accueil 6-en-1 avec HDMI™ 4K60Hz, 2 x USB™ Type-A 10Gbps, 2 x USB-C® 10Gbps, et jusqu'à 100 W pour chargement PD. (JTSA301)
- Facile à installer, contient des instructions claires et tous les outils nécessaires.

■ Configuration Recommandée

- DisplayPort™ 1.4 requis sur la carte graphique ou la source vidéo pour prendre en charge la 4K @ 60Hz (JTSA301)

Español

■ Características

- Una solución ergonómica para su comodidad, es la compañía perfecta para su monitor
- Admite un monitor de 17" a 32" con un peso de hasta 8 kg y es compatible con Windows® y macOS®.
- Ajusta el monitor con facilidad y permite que la pantalla gire 180°, se incline -45°~+90° y rote 360°. Ajuste su monitor cómodamente en un ángulo óptimo.
- Montura de monitor con muelle de gas totalmente ajustable con base de acoplamiento de función múltiple (JTSA301)
- Equipado con una base de acoplamiento HDMI™de 4K60Hz 6 en 1, 2 x USB™ de Tipo A de 10 Gbps, 2 x USB-C® de 10 Gbps, y hasta una carga de transferencia PD de 100 W. (JTSA301)
- Fácil de instalar, incluye instrucciones claras y todas las herramientas necesarias.

■ Requisitos del Sistema

- Se requiere DisplayPort™ 1.4 en la tarjeta gráfica o la fuente de video para admitir 4K a 60 Hz (JTSA301)

Italiano

■ Caratteristiche

- Una soluzione ergonomica per il comfort, il compagno perfetto per il monitor
- Supporta monitor da 17" a 32" con peso fino a 8 kg e compatibile con Windows® e macOS®.
- Regola facilmente il monitor e consente allo schermo di girare di 180°, inclinarsi di -45°~+90° e ruotare di 360°. Impostare comodamente il monitor ad un'angolazione ottimale.
- Supporto per monitor con molla a gas completamente regolabile con dock multifunzione (JTSA301)
- Dotato di dock 6-in-1 con 4K60Hz HDMI™, 2 x USB™ tipo A 10 Gbps, 2 x USB-C® 10 Gbps e fino a 100 W di carica pass-through PD. (JTSA301)
- Semplice da installare, include istruzioni chiare e tutti gli attrezzi necessari.

■ Requisiti di sistema

- DisplayPort™ 1.4 necessario su scheda video o sorgente video per supportare 4K a 60 Hz (JTSA301)

Português

■ Características

- Uma solução ergonómica para o seu conforto, o companheiro perfeito para o seu monitor
- Suporta um monitor de 17" a 32" com um peso máximo de 8 kg e compatível com Windows® e macOS®
- Ajusta facilmente o monitor e permite girar o ecrã 180°, inclinar -45°~+90° e rodar 360°. Coloque facilmente o seu monitor na posição ideal.
- Suporte de monitor com suspensão hidráulica totalmente regulável com base de ancoragem multifunções (JTSA301)
- Equipado com uma base de ancoragem 6 em 1 com HDMI™ 4K60Hz, 2 portas USB™ Tipo A 10Gbps, 2 portas USB-C® 10Gbps e passagem de carregamento PD até 100W. (JTSA301)
- Fácil de instalar, inclui instruções claras e todas as ferramentas necessárias.

■ Requisitos do sistema

- DisplayPort™ 1.4 necessário na placa gráfica ou fonte de vídeo para suportar a 4K a 60 Hz (JTSA301)

Svenska

■ Funktioner

- En ergonomisk lösning för din bekvämlighet, den perfekta partnern för din bildskärm
- Stöd för 17 till 32 tum bildskärm som väger upp till 8 kg och är kompatibel med Windows® och macOS®.
- Justerar enkelt bildskärmen så att den kan vridas 180°, lutas -45°~+90° och roteras 360°. Ställ bekvämt in bildskärmen i en optimal vinkel.
- Fullt justerbart bildskärmsfäste med gasfjäder och dockningsstation med flera funktioner (JTSA301)
- Utrustad med en 6-i-1 dockningsstation med 4K @ 60 Hz HDMI™, 2 x USB™ Type-A 10 Gb/s, 2 x USB-C® 10 Gb/s och upp till 100 W PD genomgångsladdning (JTSA301)
- Lätt att montera, inkluderar tydliga anvisningar och alla nödvändiga verktyg.

■ Systemkrav

- DisplayPort™ 1,4 krävs på grafikortet eller videokällan för att stödja 4K @ 60 Hz (JTSA301)

Nederlands

■ Kenmerken

- Een ergonomische oplossing voor uw comfort, de perfecte partner voor uw monitor
- Ondersteunt een monitor van 17" tot 32" die tot 8kg weegt en die compatibel is met Windows® en macOS®
- Stel de monitor gemakkelijk in en laat het scherm 180° zwenken, -45°~+90° kantelen en 360° draaien. Stel uw monitor gemakkelijk in op een optimale hoek.
- Volledig verstelbare gasverende monitormontage met multifunctioneel dock (JTSA301)
- Uitgerust met een 6-in-1 dock met 4K60Hz HDMI™, 2 x USB™ Type-A 10Gbps, 2 x USB-C® 10Gbps, en tot 100W PD-doorloopladen. (JTSA301)
- Eenvoudige installatie, bevat duidelijke instructies en alle noodzakelijke tools.

■ Systeemvereisten

- DisplayPort™ 1.4 vereist op grafische kaart of videobron ter ondersteuning van 4K bij 60 Hz (JTSA301)

Dansk

■ Egenskaber

- En ergonomisk løsning, som er den perfekte ledsager til din skærm
- Understøtter 17" til 32" skærme, der hver må veje op til 8 kg og som skal være kompatible med Windows® og macOS®
- Skærmen kan nemt justeres og den kan svinge 180°, vippe -45°~+90° og drej 360°. Sæt din skærm på den optimale vinkel.
- Fuldt justerbart skærmstativ med gasfjeder og multifunktionel dock (JTSA301)
- Udstyret med en 6-i-1 MST-dock med 4K 60Hz HDMI™, 2 x USB™ Type-A 10Gbps, 2 x USB-C® 10 Gbps og strømforsyning på op til 100W PD via opladning. (JTSA301)
- Nem installation med tydelige instruktioner og alle de nødvendige værktøjer.

■ Systemkrav

- DisplayPort™ 1.4 påkrævet på grafikort eller videokilder for brug af 4K med 60Hz (JTSA301)

STOP!

If you have any problems with this product, please contact our technical support team for assistance.

TECHNICAL SUPPORT

Customer Service : 888-988-0488

Technical Support : 888-689-4088

Email : service@j5create.com

SOPORTE TÉCNICO

Número gratuito: +1-888-988-0488  
 Horario de atención:  
 Lun.-Vier. 10:00 a.m – 6:00 U.S.A.-E.S.T  
 Email: service@j5create.com

Kajjet Technology International B.V.

Phone Number: +31-(0)6-2880 2882  
 Address: Zomerdooen 20, 3068 MZ  
 Rotterdam, The Netherlands  
 E-mail: service@j5create.com

TECHNISCHER SUPPORT

Kostenloser Anruf bei: +1-888-988-0488  
 Sprechstunden:  
 Mon.-Frei. 10.00 – 18.00 U.S.A.-E.S.T  
 E-mail: service@j5create.com

TECHNIKAI SEGÍTÉSÉG

Vevőszolgálat (angol nyelven): 888-988-0488  
 Technikai támogatás (angol nyelven):  
 : 888-689-4088  
 E-mail: service@j5create.com

SUPPORT TECHNIQUE

Numéro gratuit : +1-888-988-0488  
 Heures d'ouverture :  
 Lun.-Ven. 10:00 a.m – 06:00 U.S.A.-E.S.T  
 Email : service@j5create.com

テクニカルサポート

お客様相談センター : 03-5540-9010  
 電子メール : j5\_support@solnet.co.jp  
 テクニカルサポートやその他ご相談は下記の  
 時間にご対応いたしますようお願い申し上げます  
 営業時間 : 平日9:30~11:30/13:30~17:30

TECHNICKÁ PODPORA

Zákaznická linka: 888-988-0488  
 Technická podpora: 888-689-4088  
 E-mail: service@j5create.com

技術支援資訊

美國客服專線 : +1-888-988-0488  
 台灣客服專線 : +886-2-2269-5533#19  
 客服時間 : 星期一至星期五  
 9:30 AM-6:00PM (台灣時間)  
 Email信箱 : service.tw@j5create.com

## Norsk

### ■ Funksjoner

- En ergonomisk løsning for din komfort – den perfekte følgesvennen for skjermen din
- Støtter 17" til 32" skjermer som veier opptil 8 kg, og er kompatibel med Windows® og macOS®
- Justerer enkelt skjermen og lar skjermen dreie 180°, vippe -45°~+90° og rotere 360°. Still inn skjermen i en optimal vinkel.
- Fullt justerbar gassfjærmonitorfeste med flerfunksjonell dokkingstasjon (J TSA301)
- Utstyrt med en 6-i-1-dokking med 4K60 Hz HDMI™, 2 x USB™ Type-A 10 Gbps, 2 x USB-C® 10 Gbps og opptil 100 W PD-gjennomlading. (J TSA301)
- Enkel å installere, inkluderer klare instruksjoner og alle nødvendige verktøy.

### ■ Systemkrav

- Grafikkortet eller videokilden må ha DisplayPort™ 1.4 for å støtte 4K ved 60 Hz (J TSA301)

## Suomi

### ■ Ominaisuudet

- Ergonominen ratkaisu mukavuuttasi ajatellen, täydellinen kumppani monitorillesi
- Tuki 17–32” monitorille, painoltaan enintään 8 kg, ja yhteensopiva Windows® -ja macOS® -käyttöjärjestelmän kanssa
- Monitoria on helppo säätää ja sitä voi kääntää 180 °, kallistaa -45°~+90° ja kiertää 360 °. Voit asettaa monitorin helposti optimaaliseen kulmaan.
- Täysin säädettävä monitoimitelakalla varustettu kaasujousimonitorijalusta (J TSA301)
- Varustuksena 6-in-1-telakka, jossa 4K60 Hz HDMI™, 2 x USB™ Type-A 10 Gbps, 2 x USB-C® 10 Gbps ja enintään 100 W PD -läpimenolatus. (J TSA301)
- Helppo asentaa, mukana helpot ohjeet ja kaikki tarvittavat työkalut.

### ■ Järjestelmävaatimukset

- DisplayPort™ 1.4 on vaatimuksena näyttönojaimelle videolähteelle 4K@ 60Hz:n (J TSA301) tukemiseksi

## Magyar

### ■ Jellemzők

- Ergonomikus megoldás az Ön kényelméért, tökéletes társ a monitorhoz
- Támogatja a 17” és 32” közötti, akár 8 kg súlyú, Windows® és macOS® rendszerekkel kompatibilis monitorokat
- Könnyedén beállítja a monitort, és lehetővé teszi a képernyő 180°-os elforgatását, -45°~+90°-os döntését és 360°-os forgatását. Kényelmesen állítsa be a monitort optimális szögben.
- Teljesen állítható gázrugós monitortartó multifunkciós dokkolóval (J TSA301)
- 6 az 1-ben dokkoló, 4K60Hz-es HDMI™, 2 x USB™ Type-A 10 Gbps, 2 x USB-C® 10 Gbps és akár 100 W-os PD átmenő töltés funkciókkal felszerelve. (J TSA301)
- Egyszerűen telepíthető, egyértelmű utasításokat és az összes szükséges szerszámot tartalmazza.

### ■ Rendszerkövetelmények

- DisplayPort™ 1.4 szükséges a videokártyán vagy videó jelforráson a 4K@60 Hz felbontás támogatásához (J TSA301)

## Русский

### Кронштейн для монитора (J TSA101) / Кронштейн для монитора со встроенной док-станцией (J TSA301)

### ■ Технические особенности

- Эргономичное решение для вашего монитора, обеспечивающее больший комфорт при его использовании
- Поддержка мониторов с диагональю от 17 до 32 дюймов и весом до 8 кг
- Возможность поворота экрана на 180°, наклона на -45°~+90° и вращения на 360° позволит вам с легкостью отрегулировать оптимальный угол наклона монитора
- Регулируемый кронштейн для монитора с газлифтом
- Встроенная док-станция 6-в-1 с 4K@60 Гц HDMI™, 2 USB™ Type-A 10 Гбит/с, 2 USB-C® 10 Гбит/с и 100 Вт PD для сквозной зарядки (J TSA301)
- Простота установки. Комплект включает в себя понятные инструкции и все необходимы инструменты

### ■ Системные Требования

- Для поддержки 4K@60 Гц на видеокарте или источнике видео сигнала (ноутбуке) требуется DisplayPort™ 1.4 (J TSA301)

## 日本語

### ■ 特長

- 快適性を強化して、人間工学に基づいて開発したモニタアームです。
- 17インチから32インチまでのモニターに対応し、最大8kgまでの重量に耐え、Windows®とmacOS®と互換性があります。
- モニターを簡単に調整可能です。画面を180°回転、180°傾け、360°回転させることができます。モニターを最適な角度に便利に設定できます。
- (J TSA301)はガススプリングモニターマウントにドッキングステーションドックが搭載されています。ドッキングステーションは6-in-1機能を拡張できます。搭載ポート：4K60Hz HDMI™、USB™ Type-A 10Gbps\*2ポート、USB-C® 10Gbps \*2ポート、最大100WのPDパススルー充電が可能です。
- 簡単に取り付けすることができます。取扱説明書と必要なすべての工具が付属しています。

### ■ システム要件

- は4K@60Hzを出力するために、PCのGPUにはDisplayPort™ 1.4に対応し、ディスプレイ、HDMIケーブル、動画ソースにも4K60に対応している必要があります。(J TSA301)

## 繁體中文

### J TSA101 舒適螢幕懸臂支架

### J TSA301 多功能舒適螢幕懸臂支架

### ■ 產品特色

- 符合人體工學設計，提供舒適使用體驗，是您螢幕的完美配件
- 支援17吋至32吋、重量最多8公斤的螢幕
- 支援螢幕左右角度範圍180°、傾斜角度可-45°至+90°、旋轉360°，讓您方便地設定螢幕最佳角度
- 氣壓式螢幕支架，調整容易。
- 具備多功能擴充底座，提供4K60Hz HDMI™、2個USB™ Type-A 10Gbps、2個USB-C® 10Gbps和高達100W PD Pass-Through充電。(J TSA301)
- 附安裝說明與所需組裝工具，安裝輕鬆簡單。

### ■ 系統需求

- 需支援4K@60Hz、支援DisplayPort™ 1.4的顯示卡或影像來源。(J TSA301)

## 筒中文

### ■ 產品特色

- 符合人體工學設計，提供舒適使用體驗，是您螢幕的完美配件
- 支援17吋至32吋、重量最多8公斤的螢幕
- 支援螢幕左右角度範圍180°、傾斜角度可-45°至+90°、旋轉360°，讓您方便地設定螢幕最佳角度
- 氣壓式螢幕支架，調整容易。
- 整合6合1多功能擴充底座，提供4K60Hz HDMI™、2个USB™ Type-A 10Gbps、2个USB-C® 10Gbps和高达100W PD Pass-Through充电。(J TSA301)
- 附安裝說明与所需組裝工具，安裝轻松简单。

### ■ 系統需求

- 需支援4K@60Hz、支援DisplayPort™ 1.4的显卡或影像来源。(J TSA301)

### FCC Information

This equipment has been tested and found to comply with the limits for a Class B digital device, pursuant to part 15 of the FCC Rules. These limits are designed to provide reasonable protection against harmful interference in a residential installation. This equipment generates, uses and can radiate radio frequency energy and, if not installed and used in accordance with the instructions, may cause harmful interference to radio communications. However, there is no guarantee that interference will not occur in a particular installation. If this equipment does cause harmful interference to radio or television reception, which can be determined by turning the equipment off and on, the user is encouraged to try to correct the interference by one or more of the following measures:

- Reorient or relocate the receiving antenna.
- Increase the separation between the equipment and receiver.
- Connect the equipment into an outlet on a circuit different from that to which the receiver is connected.
- Consult the dealer or an experienced radio/TV technician for help.

This device complies with part 15 of the FCC Rules. Operation is subject to the following two conditions: (1) This device may not cause harmful interference, and (2) this device must accept any interference received, including interference that may cause undesired operation.

Changes or modifications not expressly approved by the party responsible for compliance could void the user’s authority to operate this device

### LIMITED WARRANTY

j5create offers a limited 2-year warranty. User’s wear & tear damage is not included. The user shall call or email j5create customer service with the defect information of the product and obtain a return authorization number. Users are responsible for one-way return freight cost and we will take care of one-way freight back. In order to obtain a return authorization number, users should have the following information handy when calling or emailing the service team:

(i) a copy of the original purchase invoice to verify your warranty

(ii) a product serial number

(iii) a description of the problem

(iv) customer’s name, address, and telephone number

j5create does not warrant that the operation of the product will be uninterrupted or error-free. j5create is not responsible for damage arising from failure to follow instructions relating to the product’s use. This warranty does not apply to: (a) consumable parts, unless damage has occurred due to a defect in materials or workmanship; (b) cosmetic damage, including but not limited to scratches, dents, and broken plastic on ports; (c) damage caused by use with non-j5create products; (d) damage caused by natural disasters; (e) damage caused by human misuse (lost, accident, abuse, misuse or other external causes); (f) damage caused by operating the product outside the permitted or intended uses described by j5create; (g) damage caused by service (including upgrades and expansions) performed by anyone who is not a representative of j5create or a j5create Authorized Service Provider; (h) a product or part that has been modified to alter functionality or capability without the written permission of j5create; or (i) if any j5create serial number on the product has been removed or defaced. If such a situation occurs, j5create will calculate the cost of materials and repair for your reference. This warranty is given by j5create in lieu of any other warranties expressed or implied.

### LIMITATION OF WARRANTY

THIS WARRANTY GIVES YOU SPECIFIC LEGAL RIGHTS, AND YOU MAY HAVE OTHER RIGHTS THAT VARY FROM STATE TO STATE (OR BY COUNTRY OR PROVINCE). OTHER THAN AS PERMITTED BY LAW, J5CREATE DOES NOT EXCLUDE, LIMIT OR SUSPEND OTHER RIGHTS YOU MAY HAVE, INCLUDING THOSE THAT MAY ARISE FROM THE NONCONFORMITY OF A SALES CONTRACT. FOR A FULL UNDERSTANDING OF YOUR RIGHTS YOU SHOULD CONSULT THE LAWS OF YOUR COUNTRY, PROVINCE OR STATE. TO THE EXTENT NOT PROHIBITED BY LAW IN YOUR STATE, PROVINCE, JURISDICTION OR COUNTRY, THIS WARRANTY AND THE REMEDIES SET FORTH ARE EXCLUSIVE AND IN LIEU OF ALL OTHER WARRANTIES, REMEDIES AND CONDITIONS, WHETHER ORAL, WRITTEN, STATUTORY, EXPRESS OR IMPLIED.

J5CREATE’S RESPONSIBILITY FOR MALFUNCTIONS AND DEFECTS IN HARDWARE AND/OR SOFTWARE IS LIMITED TO REPAIR OR REPLACEMENT AS SET FORTH IN THIS WARRANTY. J5CREATE’S LIABILITY DOES NOT EXTEND BEYOND THE REMEDIES PROVIDED FOR IN THIS LIMITED WARRANTY, AND J5CREATE DOES NOT ACCEPT LIABILITY FOR CONSEQUENTIAL OR INCIDENTAL DAMAGES. FOR THIRD-PARTY CLAIMS AGAINST YOU FOR DAMAGES, FOR PRODUCTS NOT BEING AVAILABLE FOR USE, OR FOR LOST OR DAMAGED DATA OR SOFTWARE, J5CREATE DOES NOT WARRANT THAT THE OPERATION OF ANY J5CREATE PRODUCT WILL BE UNINTERRUPTED OR ERROR FREE.

J5CREATE’S LIABILITY IN ANY SITUATION WILL BE NO MORE THAN THE AMOUNT YOU PAID FOR THE SPECIFIC PRODUCT THAT IS THE SUBJECT OF A CLAIM. THIS IS THE MAXIMUM AMOUNT FOR WHICH WE ARE RESPONSIBLE.

EXCEPT FOR THE EXPRESS WARRANTIES CONTAINED IN THIS WARRANTY AND TO THE EXTENT NOT PROHIBITED BY LAW, J5CREATE DISCLAIMS ALL OTHER WARRANTIES AND CONDITIONS, EXPRESS OR IMPLIED, STATUTORY OR OTHERWISE, INCLUDING WITHOUT LIMITATION, WARRANTIES OF MERCHANTABILITY, MERCHANTABLE QUALITY AND FITNESS FOR A PARTICULAR PURPOSE AND WARRANTIES AND CONDITIONS AGAINST HIDDEN OR LATENT DEFECTS. SOME STATES, PROVINCES, JURISDICTIONS OR COUNTRIES DO NOT ALLOW DISCLAIMERS OF IMPLIED WARRANTIES AND CONDITIONS, SO THIS DISCLAIMER MAY NOT APPLY TO YOU.

TO THE EXTENT SUCH WARRANTIES AND CONDITIONS CANNOT BE DISCLAIMED UNDER THE LAWS OF THE UNITED STATES, CANADA (AND ITS PROVINCES) OR OTHERWISE, J5CREATE LIMITS THE DURATION AND REMEDIES OF SUCH WARRANTIES AND CONDITIONS TO THE DURATION OF THIS EXPRESS LIMITED WARRANTY AND, AT J5CREATE’S OPTION, REPAIR OR REPLACEMENT SERVICES. SOME STATES, PROVINCES, JURISDICTIONS OR COUNTRIES MAY NOT ALLOW LIMITATIONS ON HOW LONG AN IMPLIED WARRANTY OR CONDITION MAY LAST, SO THE LIMITATION DESCRIBED ABOVE MAY NOT APPLY TO YOU.

NO WARRANTIES OR CONDITIONS, WHETHER EXPRESS OR IMPLIED, WILL APPLY AFTER THE LIMITED WARRANTY PERIOD HAS EXPIRED. SOME STATES, PROVINCES, JURISDICTIONS OR COUNTRIES DO NOT ALLOW LIMITATIONS ON HOW LONG AN IMPLIED WARRANTY OR CONDITION LASTS, SO THIS LIMITATION MAY NOT APPLY TO YOU.

WARRANTY SUPPORT ONLY APPLIES WHEN THE COVERED PRODUCT IS LOCATED WITHIN THE COUNTRY IN WHICH J5CREATE ORIGINALLY SOLD THE SYSTEM, AS REFLECTED IN J5CREATE’S RECORDS. IF YOU NEED SUPPORT FOR THE PRODUCT OUTSIDE OF THE COUNTRY OF ORIGIN (FOR EXAMPLE, WHILE TRAVELING, OR IF THE SYSTEM HAS BEEN RELOCATED TO A NEW COUNTRY), THEN J5CREATE MAY OFFER YOU OTHER SUPPORT OPTIONS FOR AN ADDITIONAL CHARGE.

For more information please visit our website at http://www.j5create.com

Copyright© 2023 j5create. All rights reserved. All trade names are registered trademarks of their respective owners. Features and specifications are subject to change without notice. Product may not be exactly as shown in the diagrams.

Declaration of the Presence Condition of the Restricted Substances Marking

USB-C and USB are trademarks of USB Implementers Forum, Inc., its affiliates or its respective owners, registered or used in many jurisdictions worldwide. HDMI is a trademark of HDMI Licensing Administrator, Inc., its affiliates or its respective owners, registered or used in many jurisdictions worldwide. Windows is a trademark of Microsoft Corp., its affiliates or its respective owners, registered or used in many jurisdictions worldwide. macOS is a trademark of Apple Inc., its affiliates or its respective owners, registered or used in many jurisdictions worldwide. DisplayPort is a trademark of Video Electronics Standards Association, its affiliates or its respective owners, registered or used in many jurisdictions worldwide. Other trademarks and trade names may be used in this document to refer to either the entities claiming the marks and/or names or their products and are the property of their respective owners. All company, product and service names used are for identification purposes only. Use of these names, logos, and brands does not imply endorsement. We disclaim any interest in the marks of others

### 限用物質含有情況標示聲明書

Declaration of the Presence Condition of the Restricted Substances Marking

設備名稱：舒適螢幕懸臂支架	型號(型式)：J TSA101
多功能舒適螢幕懸臂支架	J TSA301
Equipment name	Type designation (Type)

單元Unit	限用物質及其化學符號 Restricted substances and its chemical symbols					
	鉛Lead (Pb)	汞Mercury (Hg)	鎘Cadmium (Cd)	六價鉻Hexavalent chromium(Cr <sup>6+</sup> )	多溴聯苯Polybrominated biphenyls(PBB)	多溴二苯醚Polybrominated diphenyl ethers (PBDE)
電路板	○	○	○	○	○	○
外殼	○	○	○	○	○	○
線材	○	○	○	○	○	○
配件	○	○	○	○	○	○

備考1. \*超出0.1 wt %\* 及 \*超出0.01 wt %\*係指限用物質之百分比含量超出百分比含量基準值。
Note 1: \*Exceeding 0.1 wt %\* and \*exceeding 0.01 wt %\* indicate that the percentage content of the restricted substance exceeds the reference percentage value of presence condition.
備考2. \*○\* 係指該項限用物質之百分比含量未超出百分比含量基準值。
Note 2: \*○\* indicates that the percentage content of the restricted substance does not exceed the percentage of reference value of presence.
備考3. \*—\* 係指該項限用物質為排除項目。
Note 3: The “—” indicates that the restricted substance corresponds to the exemption.

### BSMI

This equipment is in compliance with the requirements of the following regulations: CNS13438 and NCC regulations: LP0002