

# P14 Max

140 mm High-Speed PWM Fan

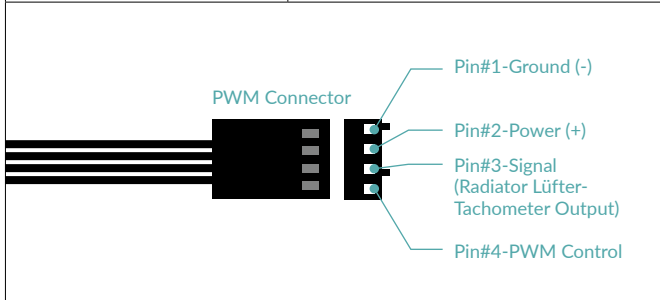


## General Specifications

Dimensions	140 (L) x 140 (W) x 27 (H) mm
Net Weight	245 g
Operating Ambient Temperature	0-40 °C
Warranty	6 Years

## Fan Specifications

Fan Speed	400-2800 rpm (PWM controlled), 0rpm below 3% PWM
Airflow	95.00 cfm   161.40 m <sup>3</sup> /h
Static Pressure	4.18 mmH <sub>2</sub> O
Fan Bearing	Fluid Dynamic Bearing
Typical Voltage	12 V DC
Start Up Voltage	3.9 V DC
Current	0.35 A
Cable Length	400mm
Connector	4-Pin PWM Connector



## Shipping Information - P14 Max (Black)

Box Dimensions	167 (L) x 167 (W) x 34 (H) mm
Gross Weight	303 g
SKU	ACFAN00287A
EAN	4895213704328
UPC	840033402095
Box Content	P14 Max x 1 Mounting Screws x 4

## Shipping Information - P14 Max (Black) - 5 Pack

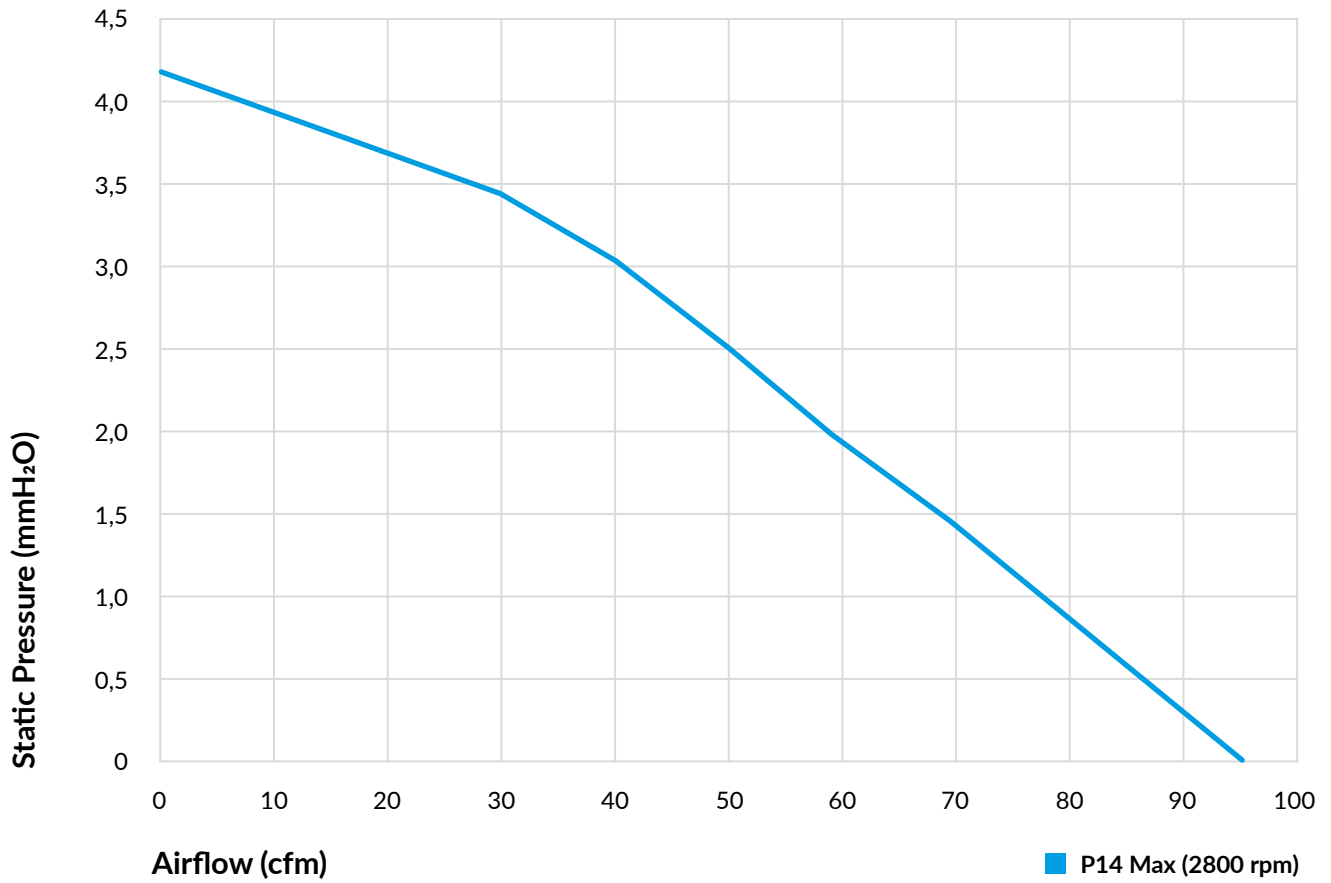
Box Dimensions	160 (L) x 160 (W) x 160 (H) mm
Gross Weight	1427 g
SKU	ACFAN00290A
EAN	4895213704335
UPC	840033402101
Box Content	P14 Max x 5 Mounting Screws x 20

# P14 Max

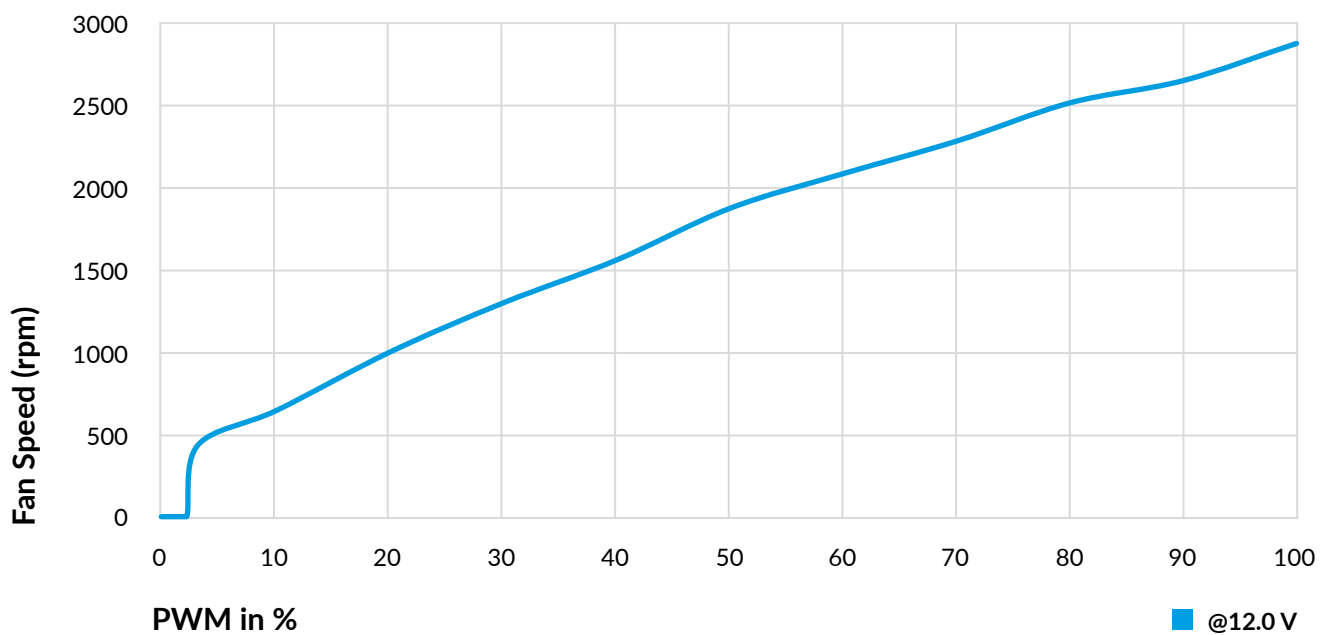
140 mm High-Speed PWM Fan



## P/Q CURVE

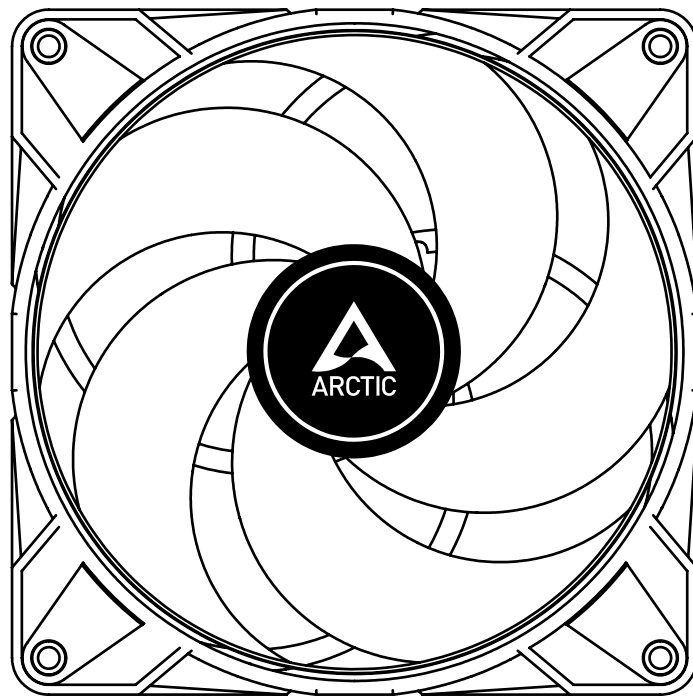


## PWM CONTROL CURVE



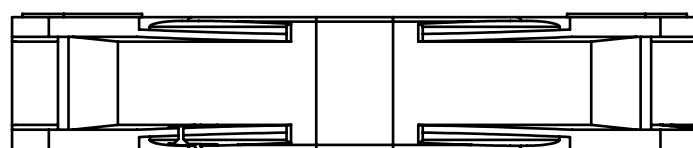
# P14 Max

140 mm High-Speed PWM Fan



140 mm

140 mm

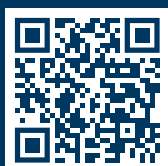


27 mm



All materials are compatible with RoHS requirements.

MORE INFORMATION



MANUALS

