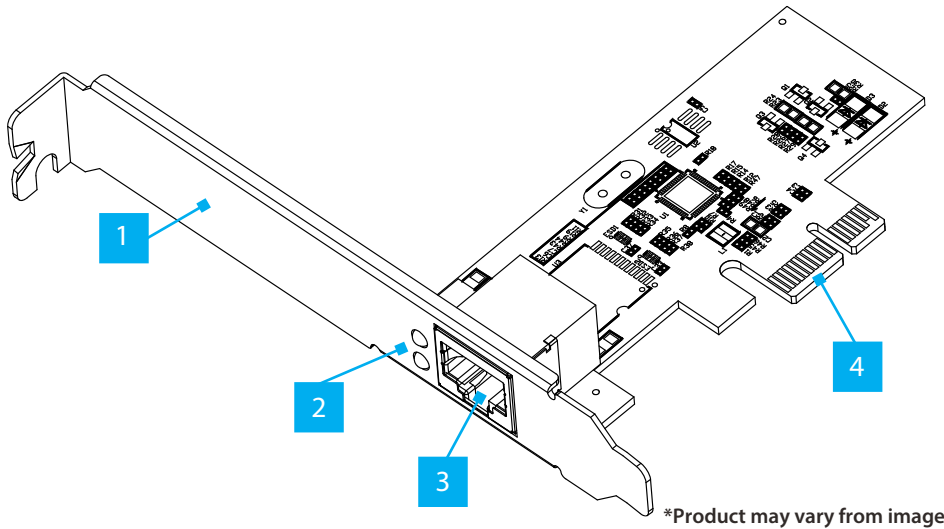


## 1-Port PCIe 2.5G Ethernet Network Adapter Card - Intel

### Product Diagram (PR12GI-NETWORK-CARD)



	Port/LED/Connector	Function
1	Bracket	<ul style="list-style-type: none"> <li>• Secures the card to the <b>Host Computer Case</b></li> <li>• The <b>Full Profile Bracket</b> comes pre-installed</li> <li>• The <b>Low Profile Bracket</b> is included</li> </ul>
2	LED Indicators (As seen on image)	<ul style="list-style-type: none"> <li>• <b>Top LED Indicator is 1000/100/10 Mbps Link Activity</b> <ul style="list-style-type: none"> <li>• Solid Green: 1000/100/10 Mbps</li> <li>• Flashing Green: Activity</li> </ul> </li> <li>• <b>Bottom LED Indicator is 2.5 Gbps Link /Activity</b> <ul style="list-style-type: none"> <li>• Solid Green: 2.5 Gbps</li> <li>• Flashing Green: Activity</li> </ul> </li> </ul>
3	Ethernet Port	<ul style="list-style-type: none"> <li>• Connect a <b>Network Cable</b> to the <b>Network Card</b></li> <li>• Supports 2.5 Gbps, 1 Gbps, 100 Mbps, and 10 Mbps</li> </ul>
4	PCIe 2.0 x1 Connector	<ul style="list-style-type: none"> <li>• Insert into a <b>PCI Express Slot</b> on the <b>Host Computer</b></li> </ul>

### Package Contents

- 1-Port PCIe 2.5 Gbps Network Card x 1
- Low Profile Bracket x 1
- Quick-Start Guide x 1

### Requirements

- For the latest requirements, please visit [www.startech.com/PR12GI-NETWORK-CARD](http://www.startech.com/PR12GI-NETWORK-CARD)
- Host computer with an available PCI Express 2.0 or greater slot (x1, x2, x4, x8, or x16)

### Installation

#### Install the PCI Express Card

##### WARNING!

*Static Electricity can severely damage PCI Express Cards. Ensure that you are adequately Grounded before you open your Host Computer Case or touch the PCI Express Card. You should wear an Anti-Static Strap or use an Anti-Static Mat when installing any Host Computer component. If an Anti-Static Strap isn't available, discharge any built-up static electricity by touching a large Grounded Metal Surface for several seconds. Only handle the PCI Express Card by its edges and don't touch the gold connectors.*

1. Turn off the **Host Computer** and any **Peripheral Devices** that are connected to it (e.g. printers, external hard drives, etc.).
2. Unplug the **Power Cable** from the back of the **Host Computer**.
3. Disconnect any **Peripheral Devices** that are connected to the **Host Computer**.
4. Remove the **Cover** from the **Host Computer Case**. Consult the documentation that came with the **Host Computer** for details about doing this safely.
5. Locate an open **PCI Express Slot** and remove the corresponding **Slot Cover Plate** from the back of the **Host Computer Case**.

**Note:** Consult the documentation that came with the Host Computer for details about doing this safely.

*This card works in PCI Express x1, x2, x4, x8, or x16 Slots.*

6. Gently insert the **PCI Express Card** into the open **PCI Express Slot** and fasten the **Bracket** to the back of the **Host Computer Case**.

**Note:** If you install the PCI Express Card into a Small Form Factor or a Low Profile Desktop System, it may be necessary to replace the pre-installed standard

Full Profile Bracket with the included Low Profile Bracket.

- Return the **Cover** onto the **Host Computer Case**.
- Reconnect the **Power Cable** to the back of the **Host Computer**.
- Reconnect all of the **Peripheral Devices** disconnected in **Step 3**.
- Turn on the **Host Computer** and **Peripheral Devices**.
- Connect an **Ethernet Cable** to the **Ethernet Port**.

## Download the Driver

- Navigate to [www.startech.com/PR12GI-NETWORK-CARD](http://www.startech.com/PR12GI-NETWORK-CARD)
- Click the **Drivers & Downloads** tab.
- Under **Driver(s)**, download the **Driver Package** for Windows.

**Note:** Windows usually saves the files to the Downloads folder associated with the user account (e.g. C:\Users\useraccount\Downloads).

- Right-click** the zipped **Driver Package** that was downloaded. Click **Extract All**. Follow the on-screen instructions to **Extract** the files.

**Note:** Ensure to make a note of the location where the drivers were extracted. That location will be used in later steps.

- Follow the instructions on the accompanying **Intel\_Windows\_DIG** file for further **Installation Instructions**.

## Regulatory Compliance

### FCC - Part 15

This equipment has been tested and found to comply with the limits for a Class B digital device, pursuant to part 15 of the FCC Rules. These limits are designed to provide reasonable protection against harmful interference in a residential installation. This equipment generates, uses and can radiate radio frequency energy and, if not installed and used in accordance with the instructions, may cause harmful interference to radio communications. However, there is no guarantee that interference will not occur in a particular installation. If this equipment does cause harmful interference to radio or television reception, which can be determined by turning the equipment off and on, the user is encouraged to try to correct the interference by one or more of the following measures:

- Connect the equipment into an outlet on a circuit different from that to which the receiver is connected.
- Consult the dealer or an experienced radio/TV technician for help

This device complies with part 15 of the FCC Rules. Operation is subject to the following two conditions:

- (1) This device may not cause harmful interference, and (2) this device must accept any interference received, including interference that may cause undesired operation. Changes or modifications not expressly approved by StarTech.com could void the user's authority to operate the equipment.

### Industry Canada Statement

This Class B digital apparatus complies with Canadian ICES-003.

Cet appareil numérique de la classe [B] est conforme à la norme NMB-003 du Canada.

CAN ICES-3 (B)/NMB-3(B)

This device complies with Industry Canada licence-exempt RSS standard(s). Operation is subject to the following two conditions:

- (1) This device may not cause interference, and (2) This device must accept any interference, including interference that may cause undesired operation of the device.

Le présent appareil est conforme aux CNR d'Industrie Canada applicables aux appareils radio exempts de licence. L'exploitation est autorisée aux deux conditions suivantes:

- (1) l'appareil ne doit pas produire de brouillage, et (2) l'utilisateur de l'appareil doit accepter tout brouillage radioélectrique subi, même si le brouillage est susceptible d'en compromettre le fonctionnement.

### Warranty Information

This product is backed by a two years warranty.

For further information on product warranty terms and conditions, please refer to [www.startech.com/warranty](http://www.startech.com/warranty).

### Limitation of Liability

In no event shall the liability of StarTech.com Ltd. and StarTech.com USA LLP (or their officers, directors, employees or agents) for any damages (whether direct or indirect, special, punitive, incidental, consequential, or otherwise), loss of profits, loss of business, or any pecuniary loss, arising out of or related to the use of the product exceed the actual price paid for the product. Some states do not allow the exclusion or limitation of incidental or consequential damages. If such laws apply, the limitations or exclusions contained in this statement may not apply to you.

## Verify the Driver Installation

### Windows

- Navigate to the **Device Manager**.
- Under **Network Adapters**, right-click **Intel Ethernet Controller I225-V** and click the **Properties** option.
- Confirm that the **Driver** is installed and working as expected.

### Linux

**Note:** Ensure kernel 5.8 or higher (LTS versions only) is being used. Execute the following command from the terminal prompt to check the kernel version, `uname -r`.

- Open a **Terminal Window** and type the command **sudo dmesg | grep Intel** to check the **Intel Driver Integration**.
- You should see the following response if the drivers are present, **Intel(R) 2.5G Ethernet Linux Driver**.

### Safety Measures

- Read the entire manual and ensure the instructions are fully understood before assembling and/or using this product.

### Mesures de Sécurité

- Lisez tout le manuel et assurez-vous que vous comprenez les instructions avant de commencer à assembler et utiliser ce produit.

### 安全対策

- 最初に取扱説明書を最後まで読み、本製品の組み立て方をすべて理解してから組み立て作業を始めて下さい。

### Misure di Sicurezza

- Leggere l'intero manuale e assicurarsi di aver compreso tutte le istruzioni prima di iniziare ad assemblare e a utilizzare questo prodotto.

### Säkerhetsåtgärder

- Läs hela manualen och se till att du förstår instruktionerna innan du börjar montera och använda produkten.

### Medidas de Seguridad

- Lea todo el manual y asegúrese de haber comprendido bien las instrucciones antes de proceder con el ensamblaje y el uso de este producto.



Points de collecte sur [www.quefairedemesdechets.fr](http://www.quefairedemesdechets.fr)  
Privilégiez la réparation ou le don de votre appareil !

**StarTech.com Ltd.**  
45 Artisans Crescent  
London, Ontario  
N5V 5E9  
Canada

**StarTech.com LLP**  
4490 South Hamilton  
Road  
Groveport, Ohio  
43125  
U.S.A.

**StarTech.com Ltd.**  
Unit B, Pinnacle 15  
Gowerton Road  
Brackmills,  
Northampton  
NN4 7BW  
United Kingdom

**StarTech.com Ltd.**  
Siriusdreef 17-27  
2132 WT Hoofddorp  
The Netherlands

FR: [startech.com/fr](http://startech.com/fr)  
DE: [startech.com/de](http://startech.com/de)  
ES: [startech.com/es](http://startech.com/es)  
NL: [startech.com/nl](http://startech.com/nl)  
IT: [startech.com/it](http://startech.com/it)  
JP: [startech.com/jp](http://startech.com/jp)