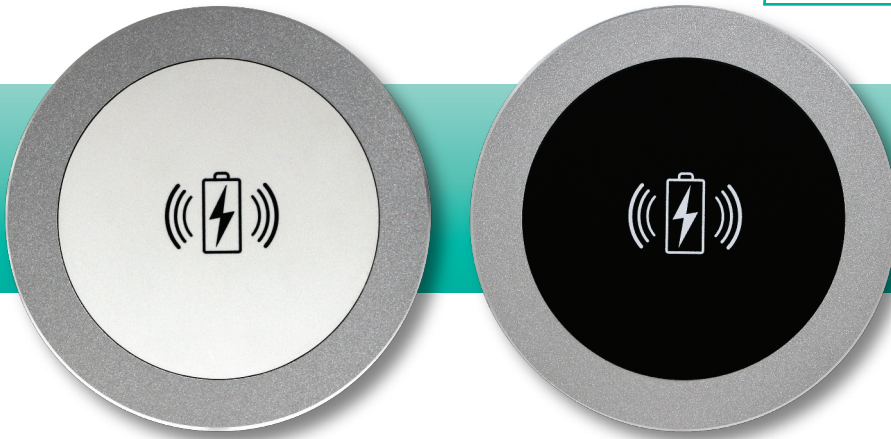


# TC-WC1 In-Table Wireless Charger

# FSR

Power Products Group

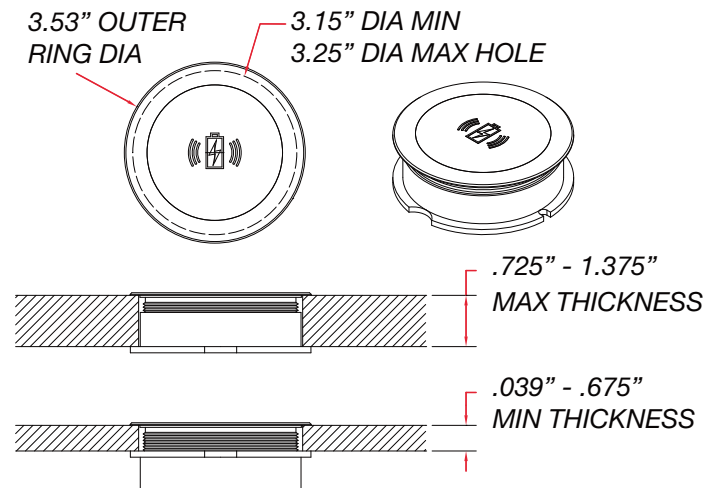
TC-WC1



## DESCRIPTION

The TC-WC1 In-Table Wireless Charger is compatible with all Qi Standard Devices and will fast charge any Samsung device with wireless adaptive fast charging as long as the unit is powered by an adaptive fast charge power supply. FSR provides these power supplies with certain models (See ordering table). The unit mounts through a hole cut in the table and is easily secured from under the table with the supplied threaded collar. The wireless charger is offered in Black or White to blend with the décor.

## DIMENSIONS



## FEATURES

- Convenient Simple Installation
- Water Resistant
- Anti-Skid Surface
- Fast Charging
- Available in Black or White
- Aluminum Bezel

## SPECIFICATIONS

- Output: 10W ( 5V-1A; 9V-1.2A)  
Qi Standard: Version WPC1.2
- Charging Distance: 0-.313" (0-8mm)
- Charging Efficiency: 75% max
- Warranty: 2 years
- Charging Area: 1 coil
- Material: Aluminum Alloy, ABS

### Package contains

- Wireless charging pad
- 48" (1.2 meter) USB cable
- User Manual
- With or without adaptive fast charge wall charger (See ordering table)

## ORDERING TABLE

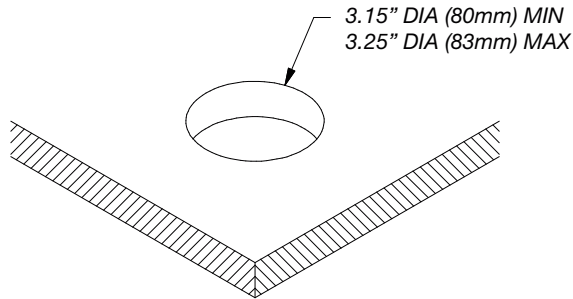
18000	TC-WC1-BLK CHARGER WITH POWER SUPPLY
18001	TC-WC1-BLK-NPS CHARGER W/O POWER SUPPLY
18002	TC-WC1-WHT CHARGER WITH POWER SUPPLY
18003	TC-WC1-WHT-NPS CHARGER W/O POWER SUPPLY

## FSR Inc.

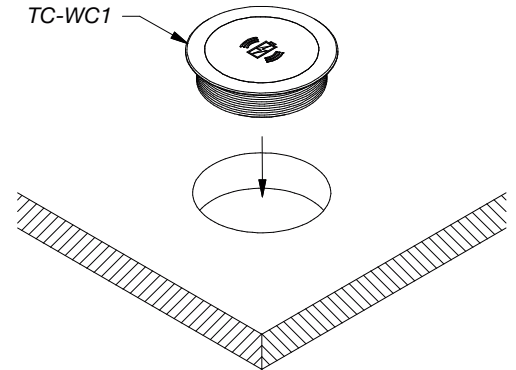
244 Bergen Boulevard, Woodland Park, NJ 07424  
 Phone: 973.785.4347 · Fax: 973.785.4207  
 Order Desk: 1-800-332-FSR1  
 Web: www.fsrinc.com · E-mail: sales@fsrinc.com LIT1650A

# INSTALLATION INSTRUCTIONS

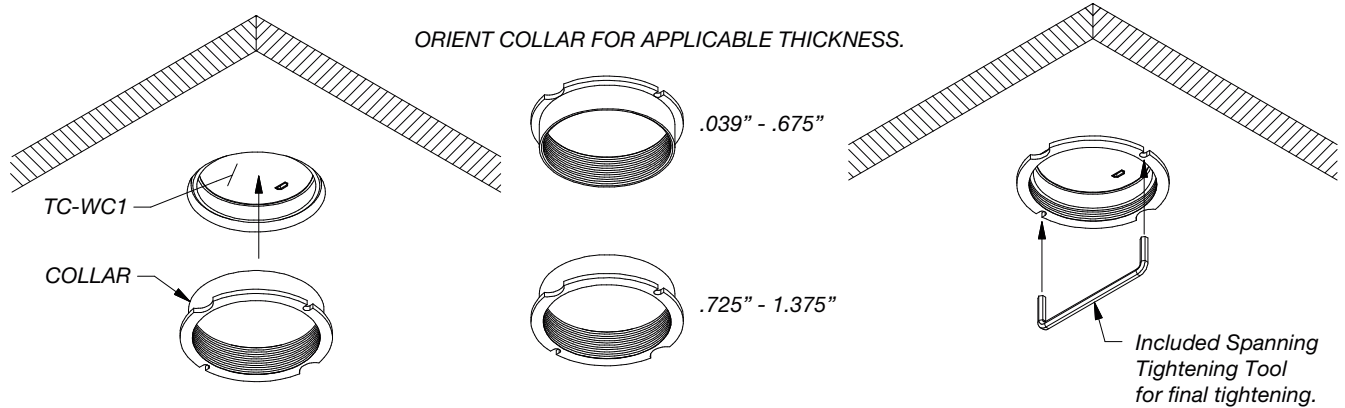
## 1. DETERMINE TC-WC1 LOCATION AND DRILL HOLE.



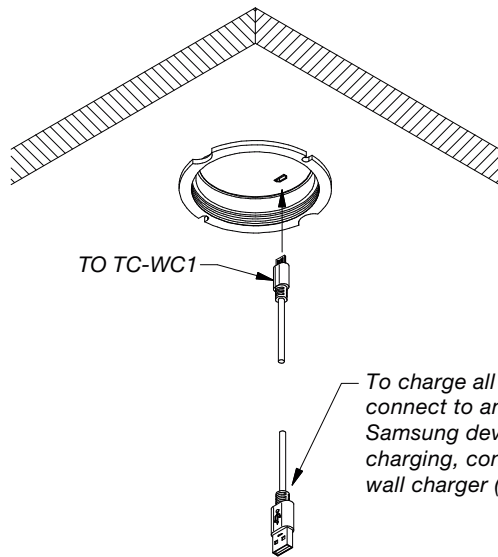
## 2. INSERT TC-WC1 INTO HOLE.



## 3. SECURE TC-WC1 WITH COLLAR. USE INCLUDED SPANNING TOOL TO SECURE TIGHTLY.

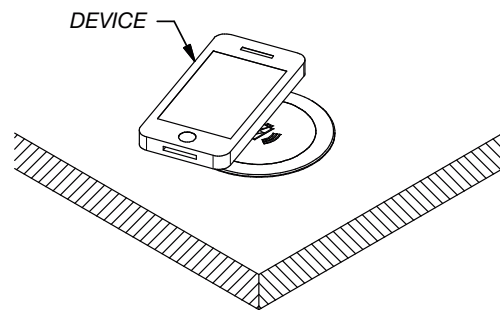


## 4. MAKE CONNECTIONS AS REQUIRED.



To charge all Qi standard compatible devices, connect to any USB charger. To fast charge Samsung devices with adaptive fast wireless charging, connect to an adaptive fast charge wall charger (provided with some phone models).

## 5. LAY DEVICE ON TOP OF CHARGER TO CHARGE DEVICE.



OUTPUT: 5V-1A; 9V-1.2A  
 QI STANDARD: Version WPC1.2  
 CHARGING DISTANCE: 0-8mm  
 CHARGING EFFICIENCY: 75% MAX



Specifications are subject to change without notice.



244 Bergen Boulevard, Woodland Park, NJ 07424  
 Phone: 973.785.4347 · Fax: 973.785.4207  
 Web: [www.fsrinc.com](http://www.fsrinc.com) · E-mail: [sales@fsrinc.com](mailto:sales@fsrinc.com)