



RT6-S3

RT6-S4

RT6-R2

RT6-RD4

DESCRIPTION

Unifying the integration of AV, IT, and Power – all in the same box

The Unity Collection of Table Boxes are available in various shapes to match your needs and designs.

Select square or rectangular boxes, dual rectangular boxes for those larger tables, or a clamp on table unit. A full line of insert brackets and cable retractors are available. The internal brackets are designed to hold AC, USB Chargers, Cable Pulls, Cable Retractors, snap-in Keystone Connectors, and FSR's full line of IPS (Intelligent Plate Solutions).

The Unity Collection covers are available in various finishes to suit your decor. (See ordering information to determine available color by model number.)

The S3/S4/R2 models ship with one T6-LB-UN universal bracket. The RD4 model ships with two T6-LB-UN universal brackets. Each bracket allows mounting of four IPS, six cables (in a "pull" configuration) or can be used to simply block a section of the table box.

RETRACTOR READY

FSR's TBRT Cable Retractors balance form and function, making tangle-free cable management an easy task. This cable management system offers convenience as well as cable storage and protection, hiding unsightly cables when not in use. The cables can be quickly deployed by the user and extend to any length, up to four feet. A simple pull and release of the extended cable is all that is needed to return the cable to the protective reel. No button release is required.

The TBRT assemblies can be ordered in HDMI (4 color coded cables available for integration with HuddleVU systems), HD-15 (VGA) with fixed 1/8" stereo audio jack, CAT-6, 1/8" Stereo Audio, Display Port ++, Mini Display Port and USB. All cables are of the highest quality and, are tested for longevity. Retractor life is greater than 8,000 cycles.

APPLICATIONS

- Desks
- Lecterns
- Lab Tables
- Huddle Areas
- Boardroom Tables
- Control Consoles
- Classrooms
- Multipurpose Rooms

FEATURES

- Choice of shapes and form factors
- Large capacity
- Low profile
- Uses the full FSR T6 large connector, plate and charger solutions
- Hideaway Doors
- Provided with one or more T6-LB-UN Brackets dependent on RT6 model

* For Round Box Solutions see (LIT1742) CT6 Table Box spec sheet



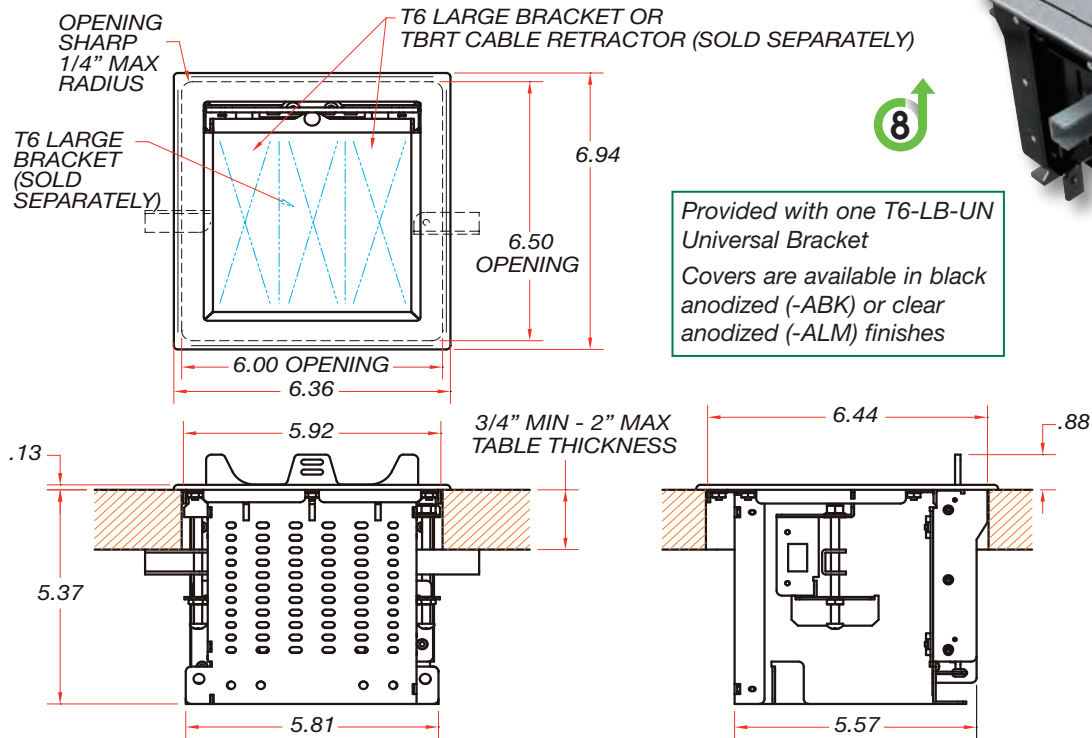
This symbol indicates the device is **RETRACTOR Ready** and accepts the number of retractors shown in the circle.

FSR Inc.

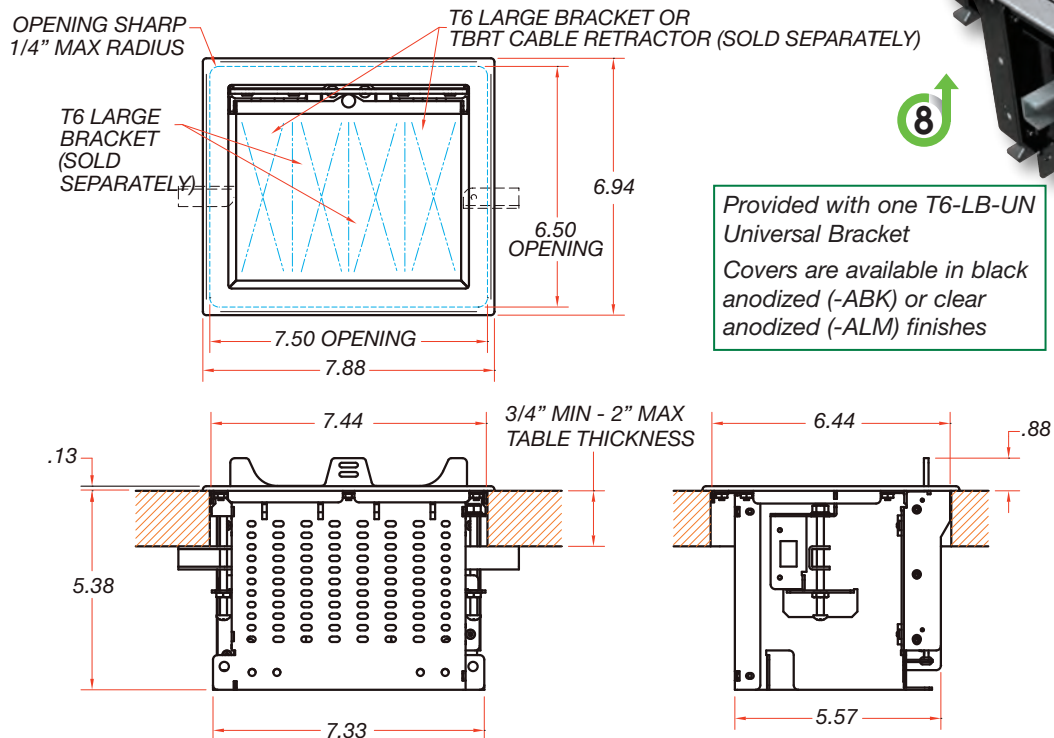
244 Bergen Boulevard, Woodland Park, NJ 07424
 Phone: 973.998.2300 · Fax: 973.785.4207
 Web: www.fsrinc.com · E-mail: sales@fsrinc.com LIT1598L

RT6-S3

The **RT6-S3 Table Box** is a square box with spacing for any three T6 series large brackets mounted vertically to suit your individual applications. It can also hold up to 8 TBRT cable retractors and still have space for AC and USB chargers as well.

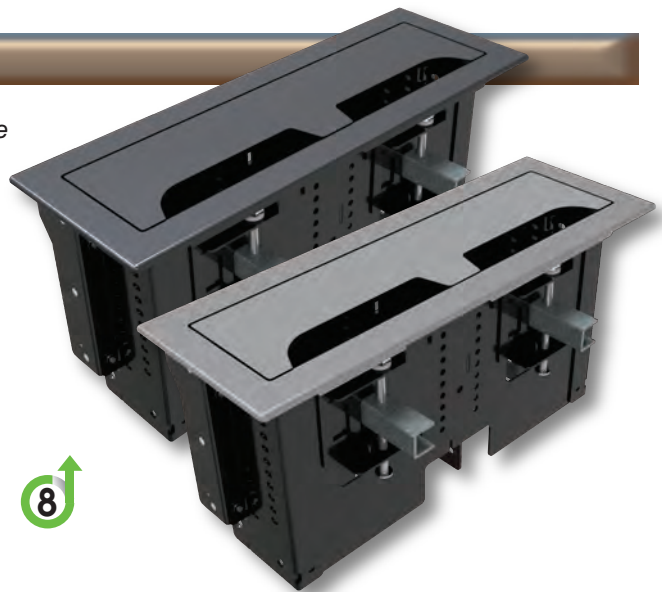
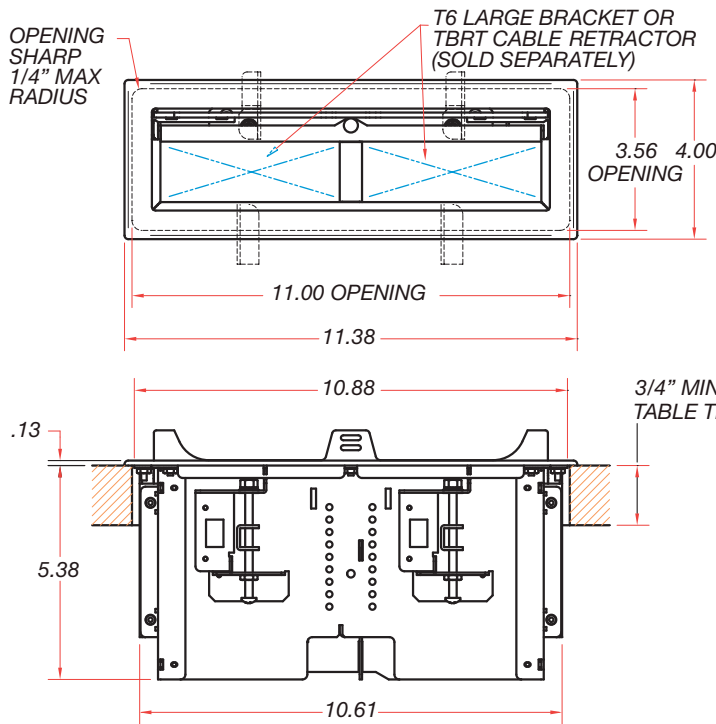
**RT6-S4**

The **RT6-S4 Table Box** is a square box with spacing for any four T6 series large brackets mounted vertically. It can also hold up to 8 TBRT cable retractors and still have space for AC and USB chargers



RT6-R2

The **RT6-R2 Table Box** is a rectangular box with T6 series large brackets mounted horizontally to suit your individual applications. It can also be configured to hold 4 or 8 TBRT cable retractors.

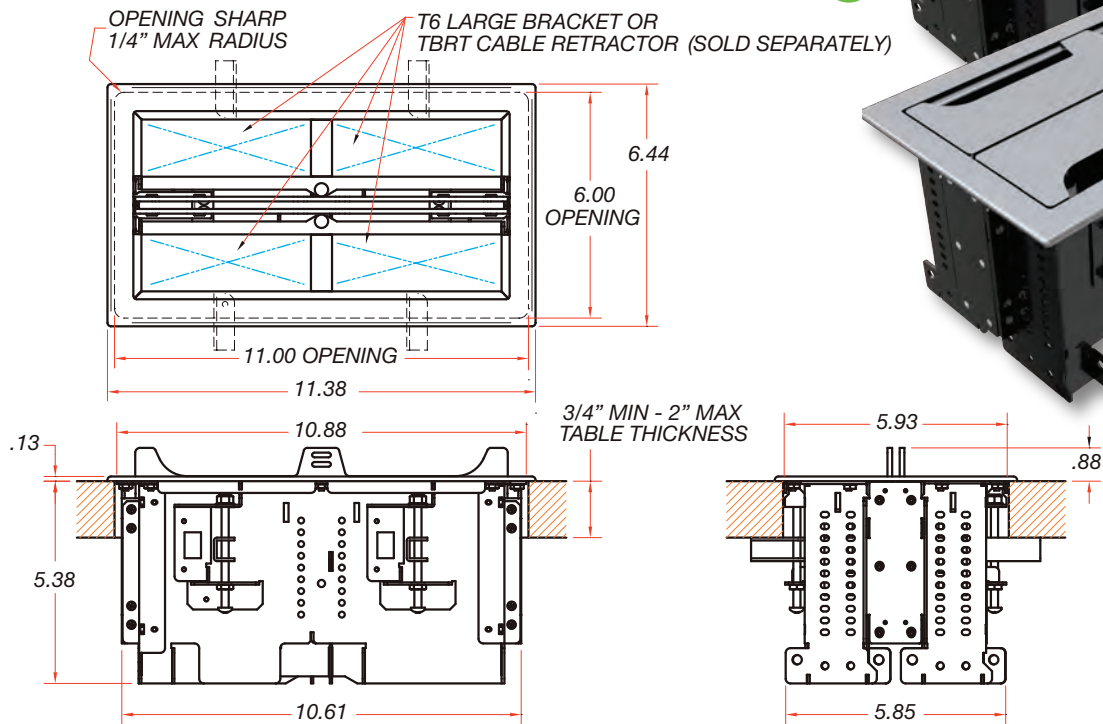


8

Provided with one T6-LB-UN Universal Bracket
 Covers are available in black anodized (-ABK) or clear anodized (-ALM) finishes

RT6-RD4

The **RT6-RD4 Table Box** is a rectangular box with spacing for any four T6 series large brackets mounted horizontally facing opposite sides of the box. Individual covers for each side handle your individual applications. It can also be configured to hold up to 16 TBRT cable retractors or 8 retractors to still have space for AC and USB chargers as well.



16



Provided with two T6-LB-UN Universal Brackets. Covers are available in black anodized (-ABK) or clear anodized (-ALM) finishes

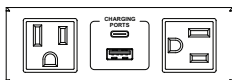
RT6 Table Box Collection

ITEM	MODEL	DESCRIPTION
18498	RT6-S3-ABK	3 Section Table Box with 1 Universal Bracket - Brushed Anodized Black
18502	RT6-S3-ALM	3 Section Table Box with 1 Universal Bracket - Brushed Anodized Aluminum
18499	RT6-S4-ABK	4 Section Table Box with 1 Universal Bracket - Brushed Anodized Black
18503	RT6-S4-ALM	4 Section Table Box with 1 Universal Bracket - Brushed Anodized Aluminum
18500	RT6-R2-ABK	2 Section Rectangular Table Box with 1 Universal Bracket - Brushed Anodized Black
18504	RT6-R2-ALM	2 Section Rectangular Table Box with 1 Universal Bracket - Brushed Anodized Aluminum
18501	RT6-RD4-ABK	Dual 2-Section Rectangular Table Box with 2 Universal Brackets - Brushed Anodized Black
18505	RT6-RD4-ALM	Dual 2-Section Rectangular Table Box with 2 Universal Brackets - Brushed Anodized Aluminum
17950	RT6-S-LB-RTMKT	Retractor Mount
17951	RT6-R-LB-RTMKT	Retractor Mount
17632	TBRT-HDMI-BK	Black HDMI Cable Retractor
17633	TBRT-HDMI-BL	Blue HDMI Cable Retractor
17634	TBRT-HDMI-RD	Red HDMI Cable Retractor
17635	TBRT-HDMI-YL	Yellow HDMI Cable Retractor
17636	TBRT-HD15-BK	Black HD-15 (VGA) with fixed 1/8" stereo jack
17637	TBRT-AUD-BK	Black 1/8" (3.5mm) Stereo Cable Retractor
17638	TBRT-CAT6-BK	Black Cat6 Cable Retractor
17723	TBRT-DSPT-BK	Black DisplayPort++ Cable Retractor
17724	TBRT-MiniDS-BK	Mini DisplayPort Cable Retractor**
17725	TBRT-USB-BK	Black USB 2.0 Type A Cable Retractor
17873	TBRT-DSP-DSP	DisplayPort to DisplayPort Retractor-Black
18112	TBRT-USB-AB-BK	USB TYPE A to B Retractor-Black
18179	TBRT-MiniDP-DP	Mini DisplayPort to DisplayPort Retractor
18582	TBRT-USBC-USBC	3.2 Gen 2 10Gbps USB Type-C to USB Type-C Cable Retractor
18596	TBRT-USB-A-B USB	3.0 Type A to B Cable Retractor

RT6 BRACKET ASSEMBLIES *T6 brackets mount in RT6, CT6, and TM Series Table Boxes

The **T6-LB-xxxx** series of inserts (ordered separately) can be used in both the CT6 and the RT6 Series boxes and are now offered with 3 AC connections, or 2 AC and 2 USB chargers, or 1 AC and 4 USB chargers.

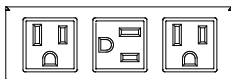
LARGE SECTION BRACKETS



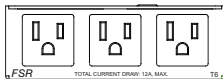
T6-LB-AC2CH-CC
T6 Large Charger Bracket
w/ 2 AC, 1 USB-A,
1 USB-C, and a 9' CORD



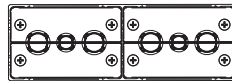
T6-LB-AC2U1
2 AC outlets with 1 additional
rear AC outlet



T6-LB-AC3RR
3 AC outlets with center
outlet rotated



T6-LB-AC3H
3 AC outlets with
hardware for hard wiring



T6-LB-UN
Allows mounting of 4 IPS
inserts or six cables. Can
also be used to block off
a section

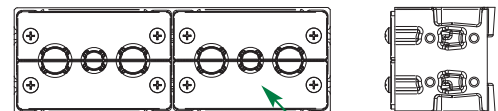


T6-LB-5SS
Space for up to 5 FSR
Simple Solutions connectors



RT6-R-LB-RTMKT
RT6-S-LB-RTMKT
Mounting kits for using
up to four FSR TBRT
retractors in "R" or "S" style boxes.
See LIT1497 TBRT Retractor Spec for details.

The **T6-LB-UN** (provided with each RT6)



Allows mounting of four
IPS inserts or six cables.
Can also be used to block
off a section.

Remove
knockouts
for cable
pull use.

AC outlet and charger ratings:

Input Rating: 125 VAC 15A 60Hz

Outlet Output Rating: 15 Amps maximum total current draw, each outlet is also individually rated for 15 Amps

USB Charger Output Rating: T6-LB-AC2CH-CC: 4.0 Amp USB-C and USB-A ports combined limit

FSR Inc.

244 Bergen Boulevard, Woodland Park, NJ 07424
Phone: 973.998.2300 · Fax: 973.785.4207
Web: www.fsrinc.com · E-mail: sales@fsrinc.com

Specifications are subject to change without notice.
© 2024 FSR, Inc. All Rights Reserved