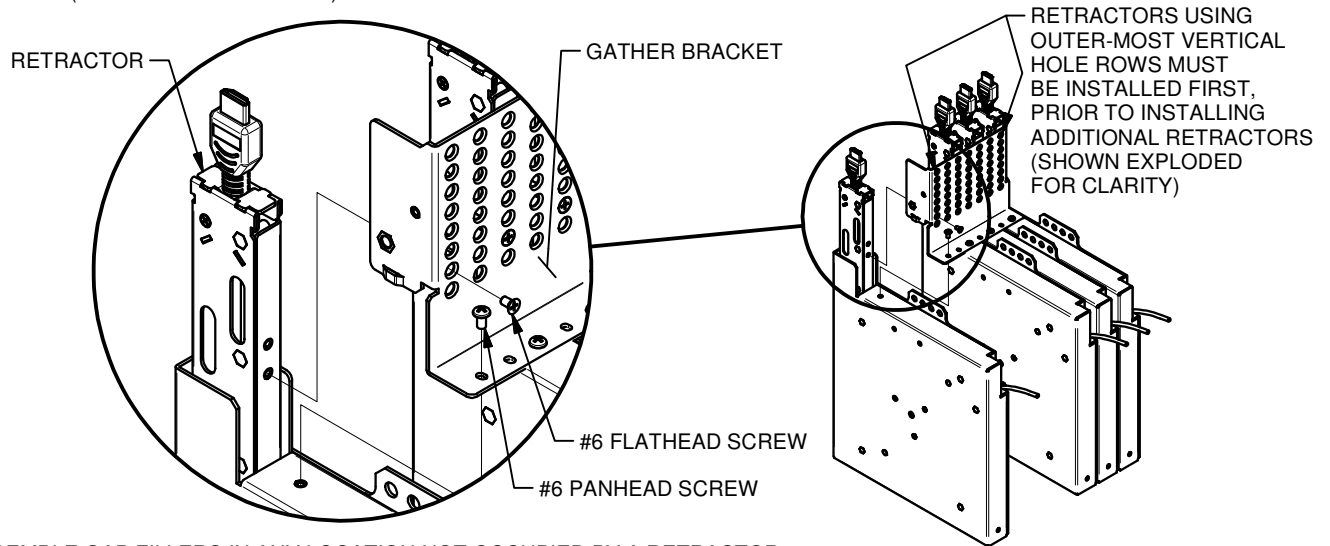
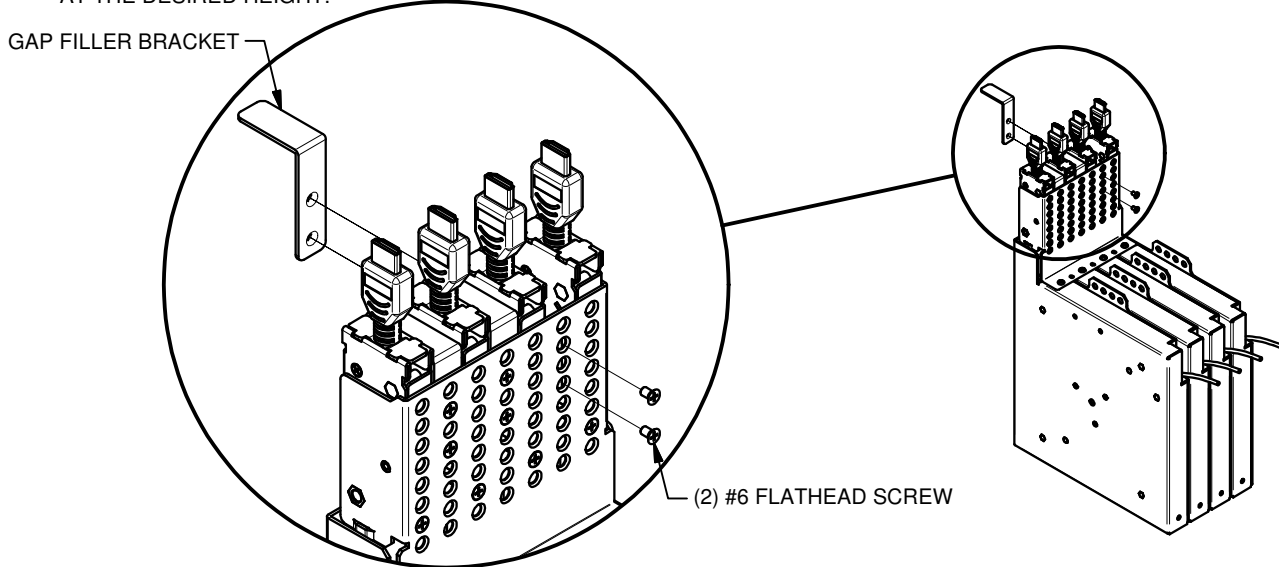


RETRACTOR PACK ASSEMBLY

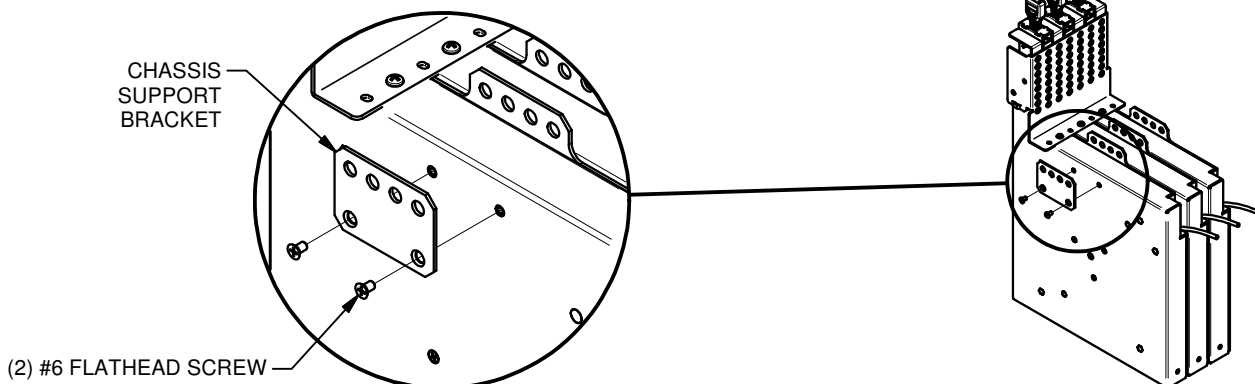
1. ASSEMBLE RETRACTORS (SOLD SEPARATELY) AS REQUIRED ONTO GATHER BRACKET (4 RETRACTORS SHOWN). MOUNT 1-4 RETRACTORS IN ANY LOCATION.



2. ASSEMBLE GAP FILLERS IN ANY LOCATION NOT OCCUPIED BY A RETRACTOR, AT THE DESIRED HEIGHT.



3. INSTALL CHASSIS SUPPORT BRACKET. 1 REQUIRED FOR 1 RETRACTOR INSTALLED. FOR 2 & 3 RETRACTORS SUPPORT BRACKET IS OPTIONAL.



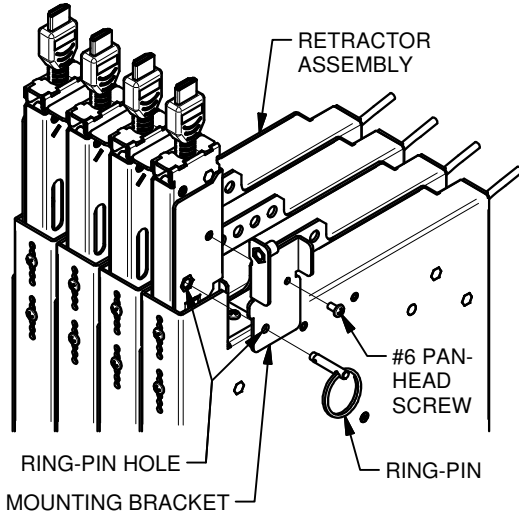
RETRACTOR PACK INSTALLATION FOR RT6-R2

IF INSTALLING BOTH "LEFT" & "RIGHT" SIDE RETRACTORS, "RIGHT" SIDE **MUST** BE INSTALLED FIRST

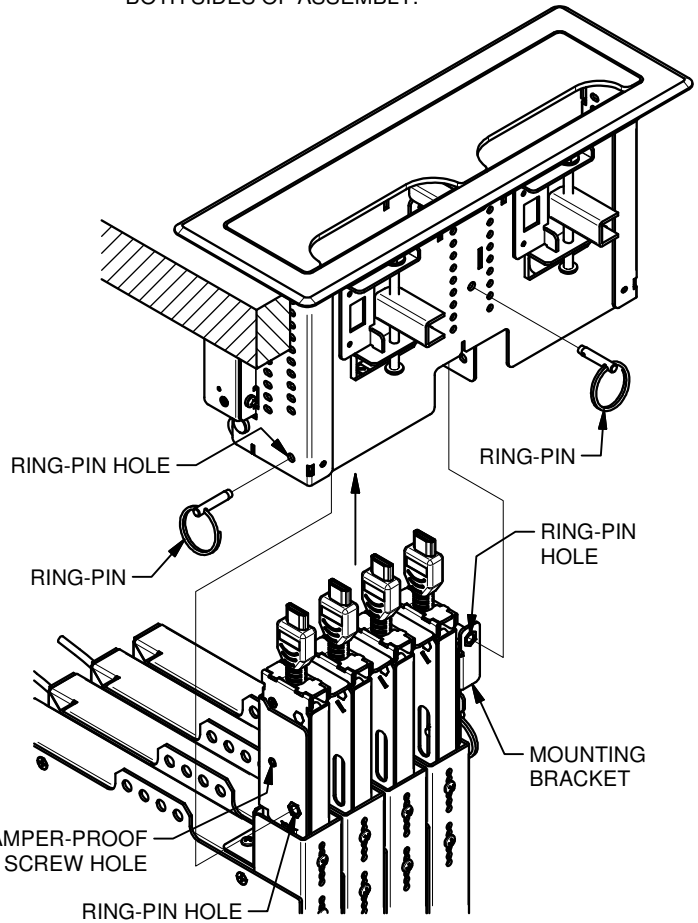
"LEFT" INSTALLATION

NOTE: WHEN INSTALLING RETRACTORS ON BOTH SIDES, THE "RIGHT" SIDE **MUST** BE INSTALLED FIRST.

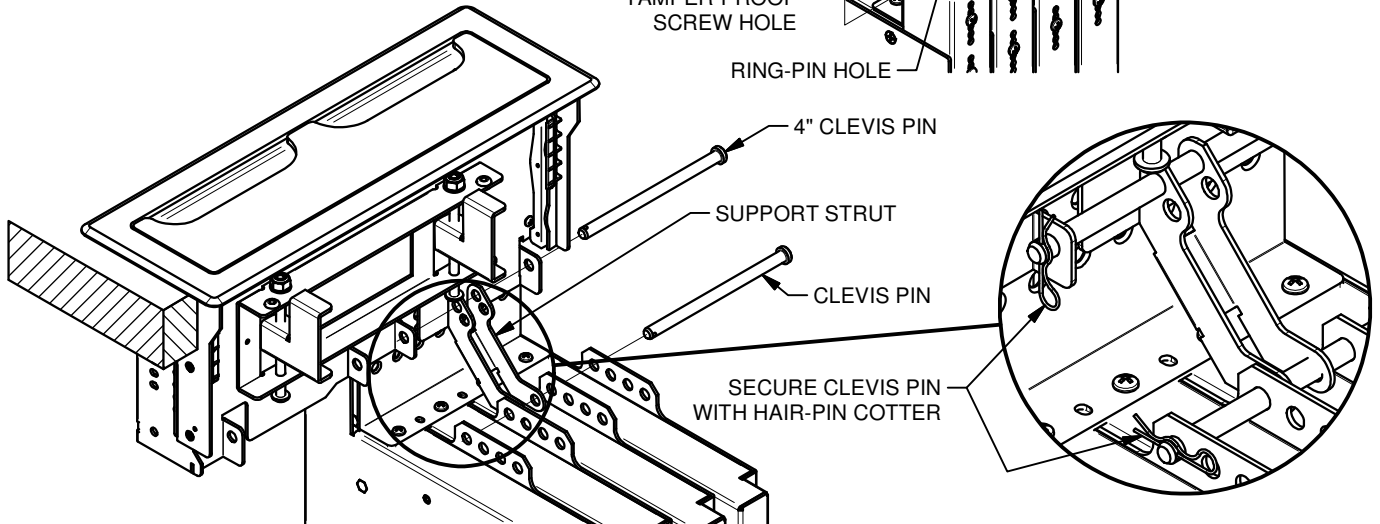
L-1. INSTALL MOUNTING BRACKET ONTO RETRACTOR ASSEMBLY.



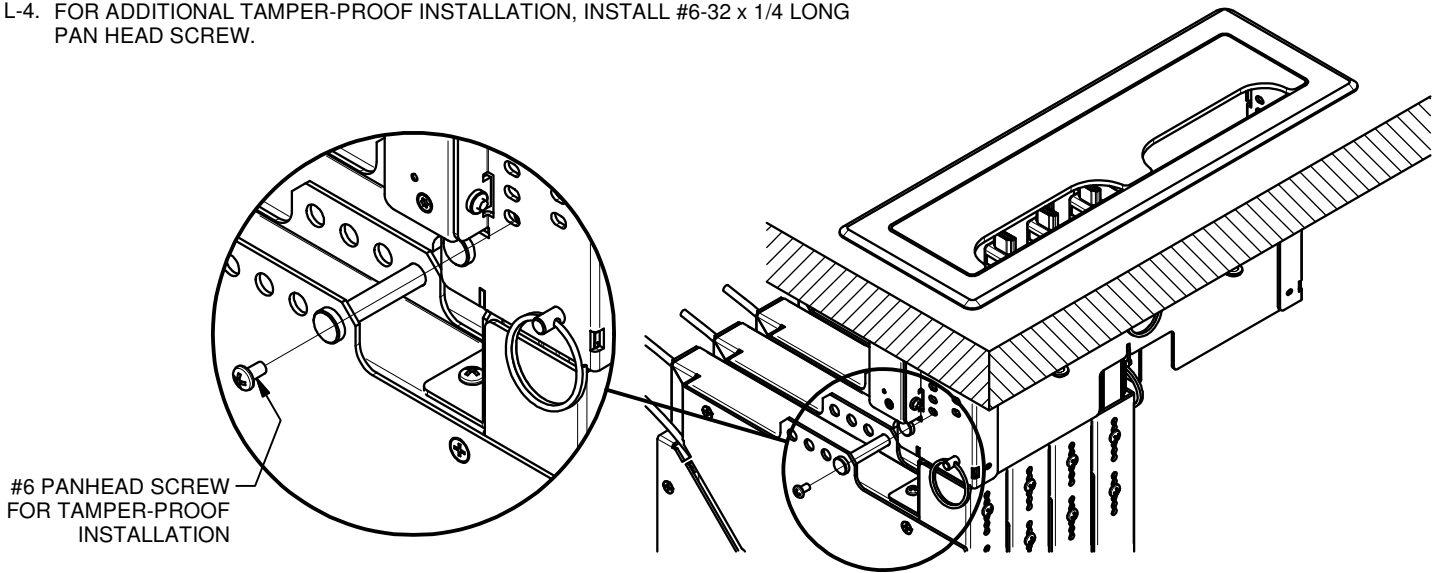
L-2. SLIDE RETRACTOR ASSEMBLY INTO RT6-R2 ASSEMBLY. ALIGN RING-PIN HOLES AND INSERT (2) RING-PIN ON BOTH SIDES OF ASSEMBLY.



L-3. INSTALL SUPPORT STRUT ONTO RT6-R2 CHASSIS WITH 4" CLEVIS PIN AND SECURE WITH HAIR-PIN COTTER. ALIGN SUPPORT STRUT HOLE WITH RETRACTOR FLANGE HOLES AND INSERT APPROPRIATE-LENGTH CLEVIS PIN. SECURE CLEVIS PIN WITH HAIR-PIN COTTER.



L-4. FOR ADDITIONAL TAMPER-PROOF INSTALLATION, INSTALL #6-32 x 1/4 LONG PAN HEAD SCREW.

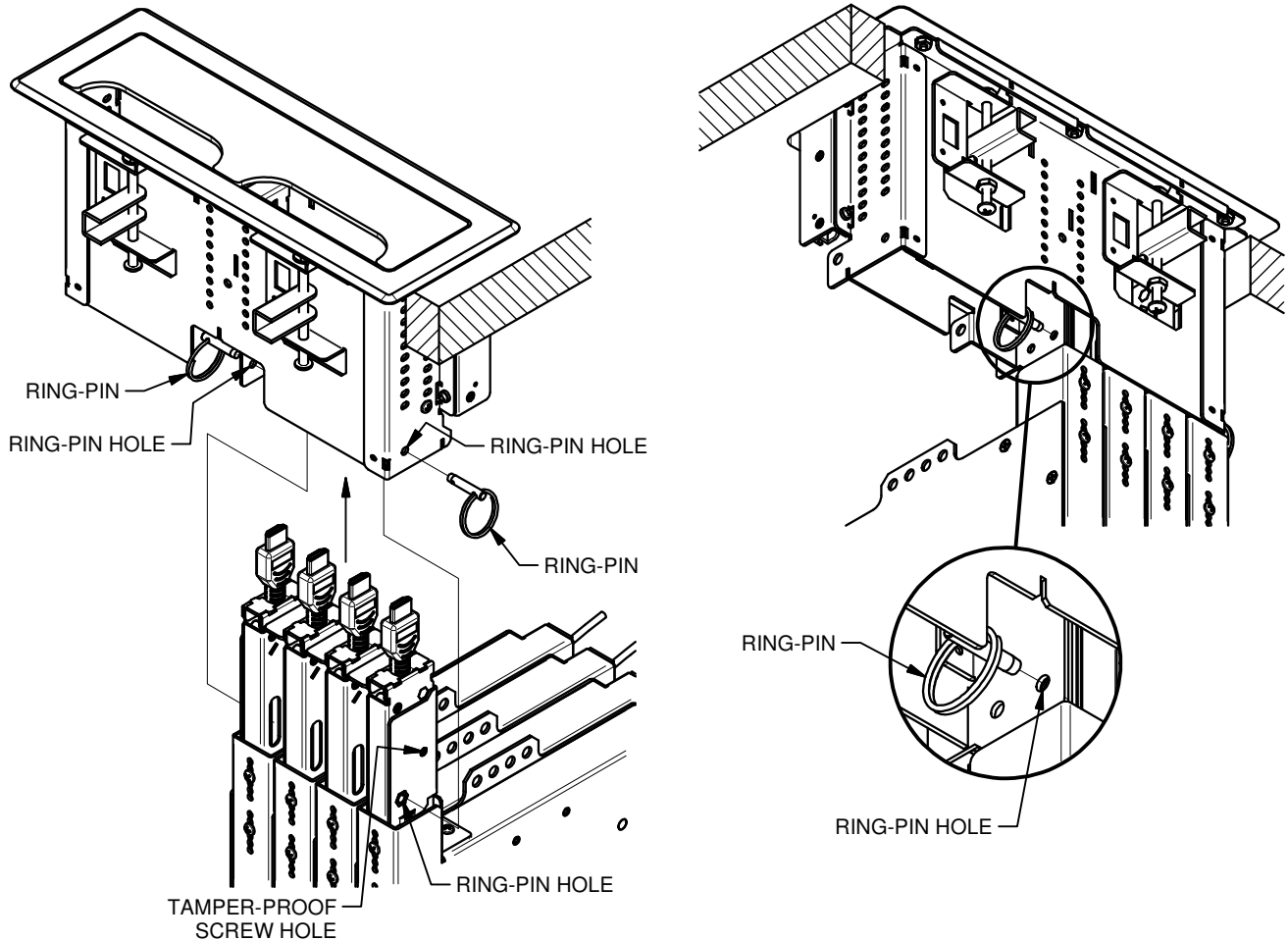


#6 PANHEAD SCREW
FOR TAMPER-PROOF
INSTALLATION

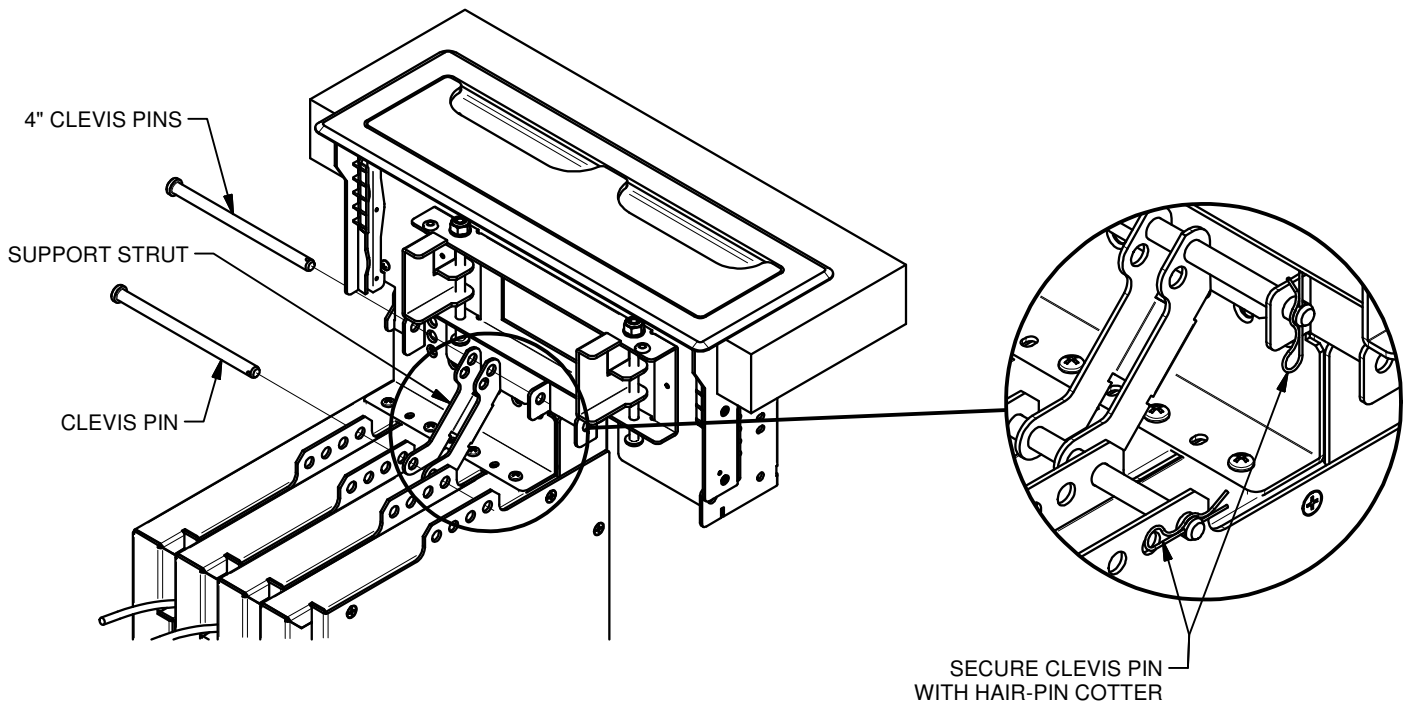
"RIGHT" INSTALLATION

NOTE: WHEN INSTALLING RETRACTORS ON BOTH SIDES, THE "RIGHT" SIDE **MUST** BE INSTALLED FIRST.

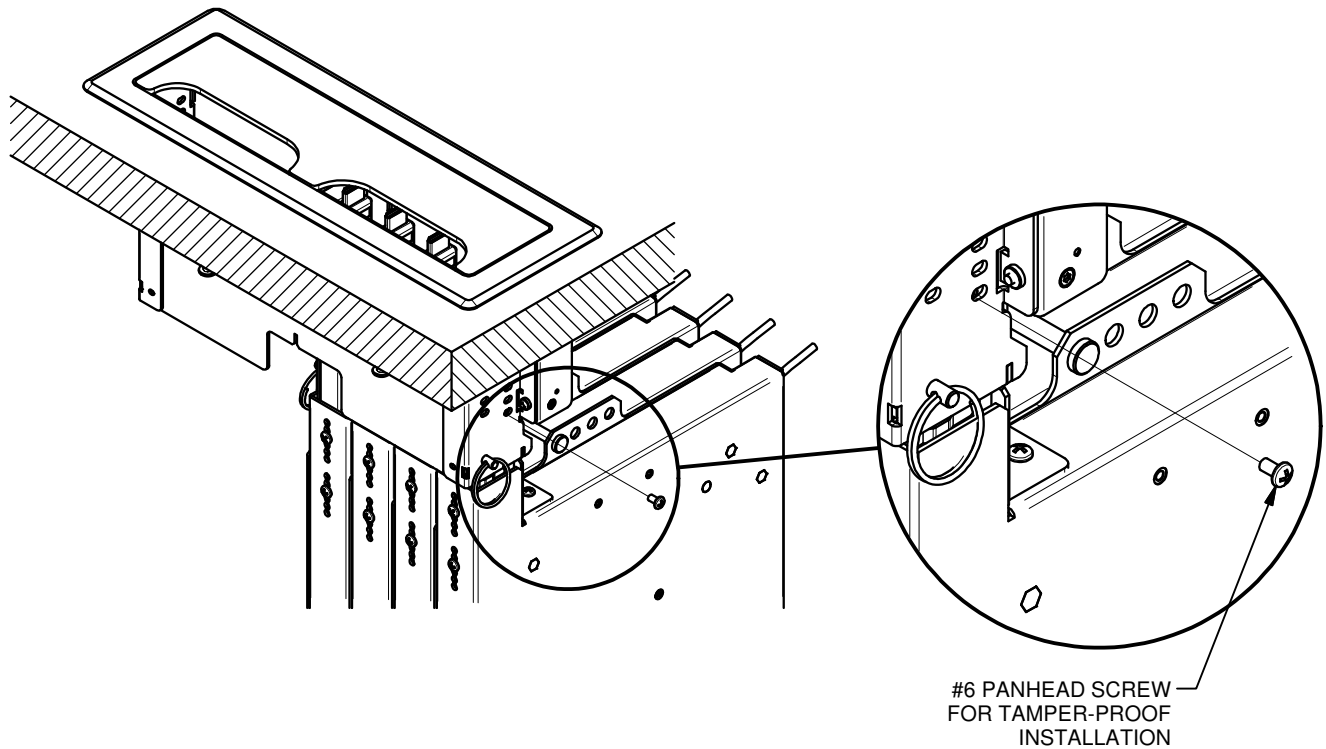
R-1. SLIDE RETRACTOR ASSEMBLY INTO RT6-R2 ASSEMBLY. ALIGN RING-PIN HOLES AND INSERT (2) RING-PIN ON BOTH SIDES OF ASSEMBLY.



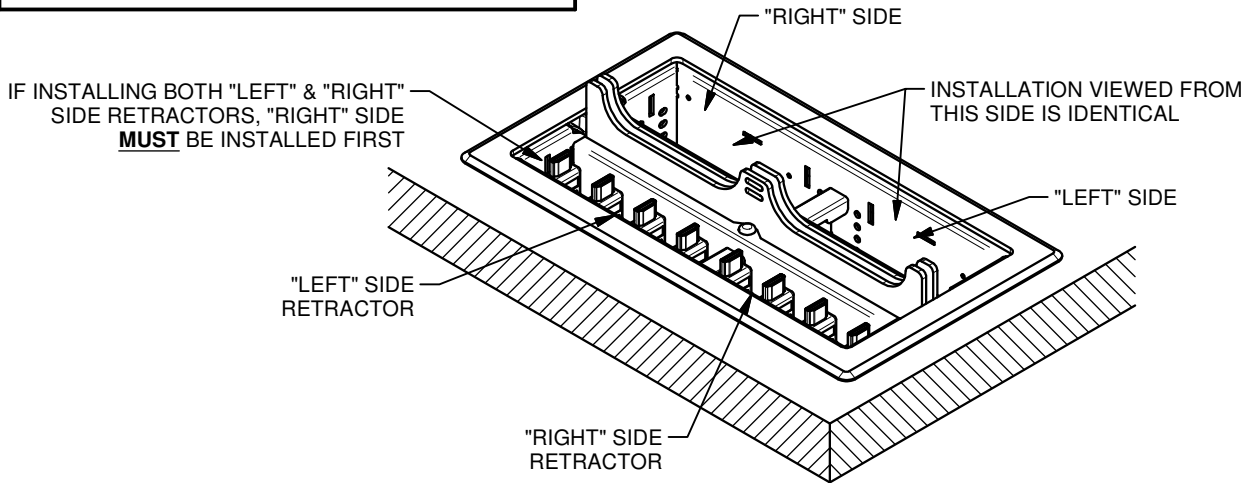
R-2. INSTALL SUPPORT STRUT ONTO RT6-R2 CHASSIS WITH 4" CLEVIS PIN AND SECURE WITH HAIR-PIN COTTER. ALIGN SUPPORT STRUT HOLE WITH RETRACTOR FLANGE HOLES AND INSERT APPROPRIATE-LENGTH CLEVIS PIN. SECURE CLEVIS PIN WITH HAIR-PIN COTTER.



R-3. FOR ADDITIONAL TAMPER-PROOF INSTALLATION, INSTALL #6-32 x 1/4 LONG PAN HEAD SCREW.

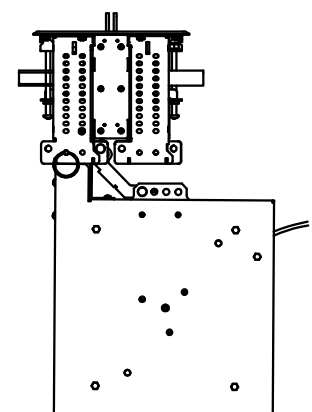
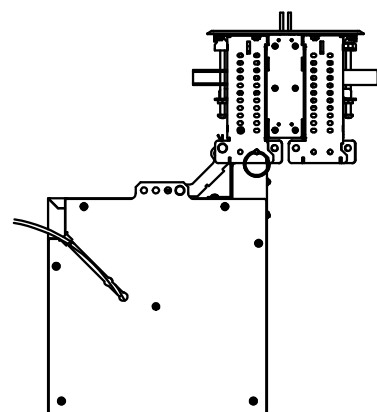
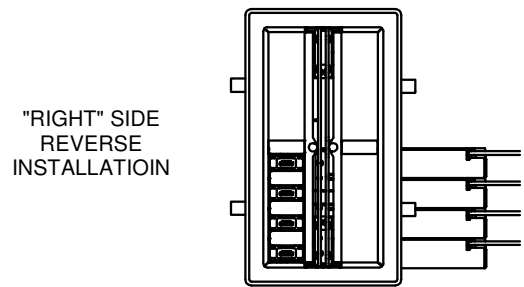
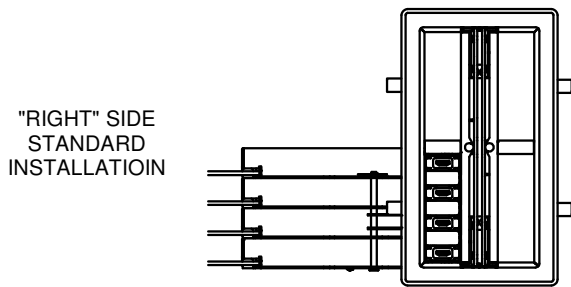
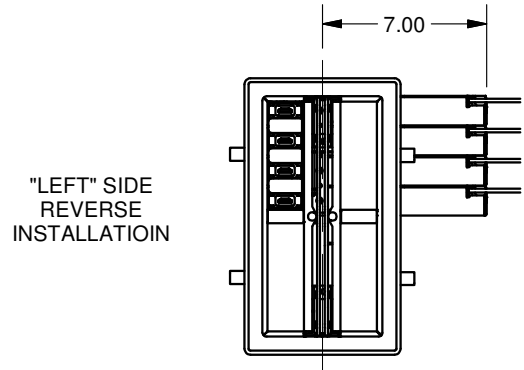
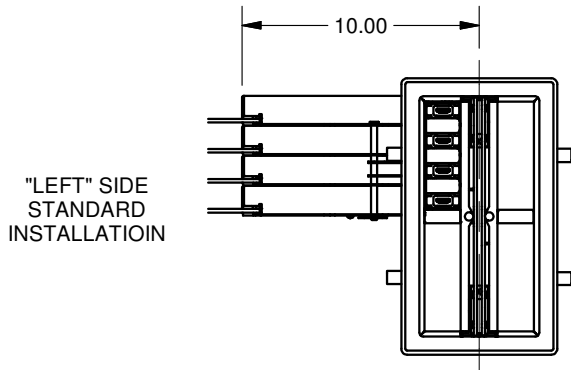


**RETRACTOR PACK
INSTALLATION OPTIONS FOR RT6-RD4**



STANDARD INSTALLATION

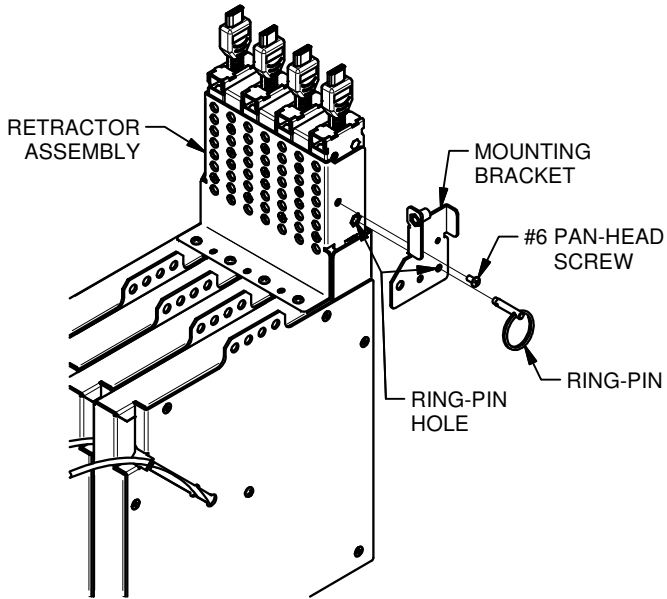
REVERSE INSTALLATION



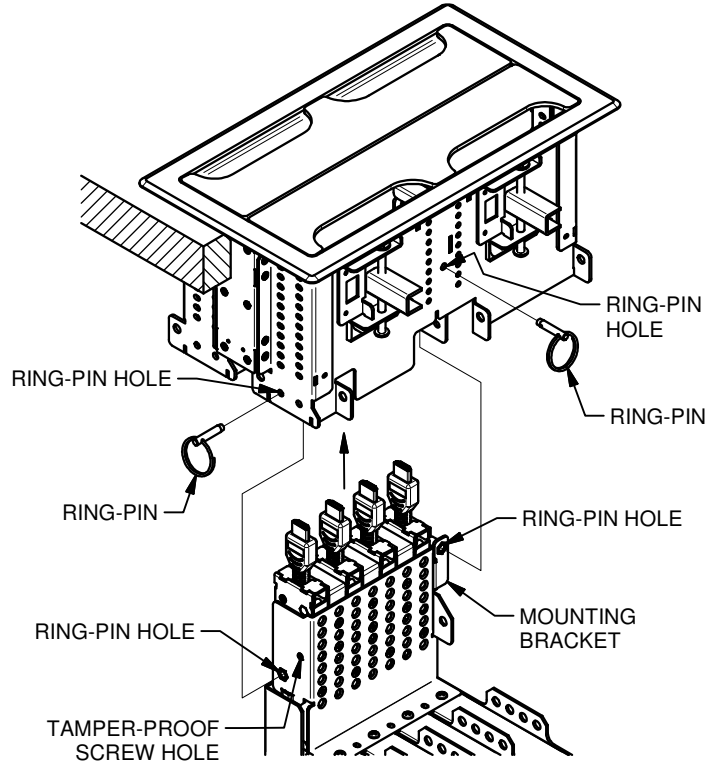
"LEFT" STANDARD INSTALLATION

NOTE: WHEN INSTALLING RETRACTORS ON BOTH SIDES, THE "RIGHT" SIDE **MUST** BE INSTALLED FIRST.

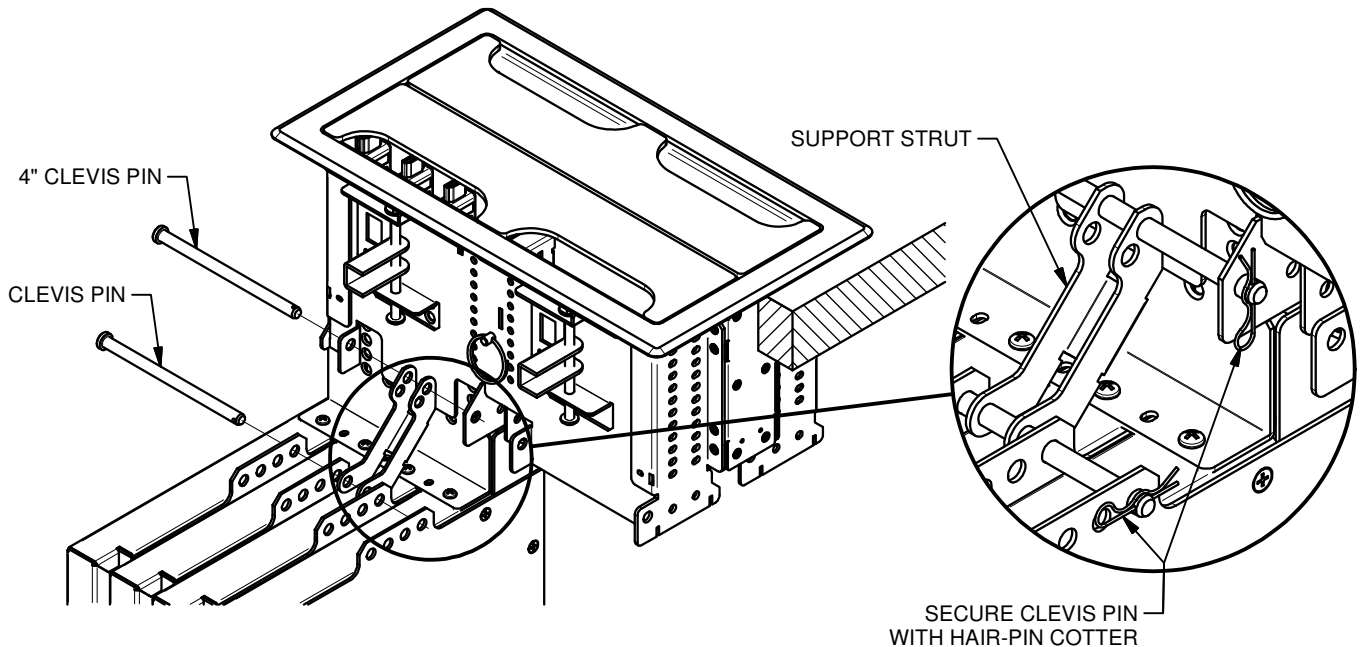
LS-1. INSTALL MOUNTING BRACKET ONTO RETRACTOR ASSEMBLY.



LS-2. SLIDE RETRACTOR ASSEMBLY INTO RT6-RD4 ASSEMBLY. ALIGN RING-PIN HOLES AND INSERT (2) RING-PIN ON BOTH SIDES OF ASSEMBLY.

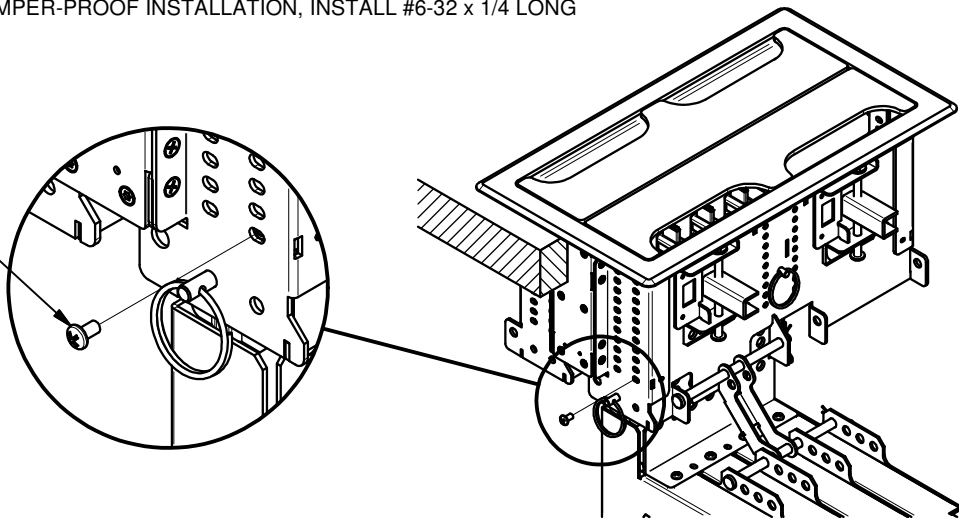


LS-3. INSTALL SUPPORT STRUT ONTO RT6-RD4 CHASSIS WITH 4" CLEVIS PIN AND SECURE WITH HAIR-PIN COTTER. ALIGN SUPPORT STRUT HOLE WITH RETRACTOR FLANGE HOLES AND INSERT APPROPRIATE-LENGTH CLEVIS PIN AND SECURE WITH HAIR-PIN COTTER.



LS-4. FOR ADDITIONAL TAMPER-PROOF INSTALLATION, INSTALL #6-32 x 1/4 LONG PAN HEAD SCREW.

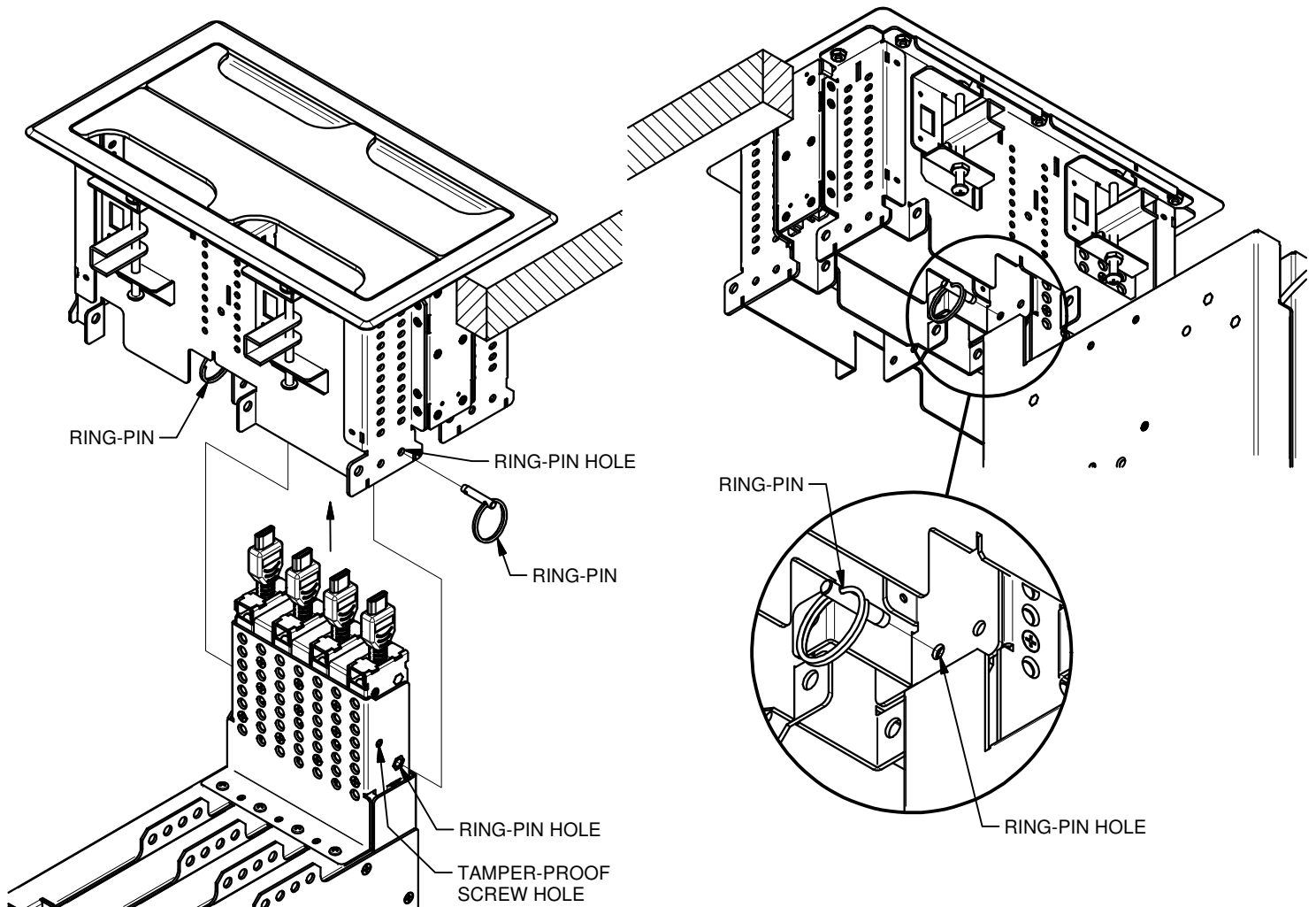
#6 PANHEAD SCREW
FOR TAMPER-PROOF
INSTALLATION



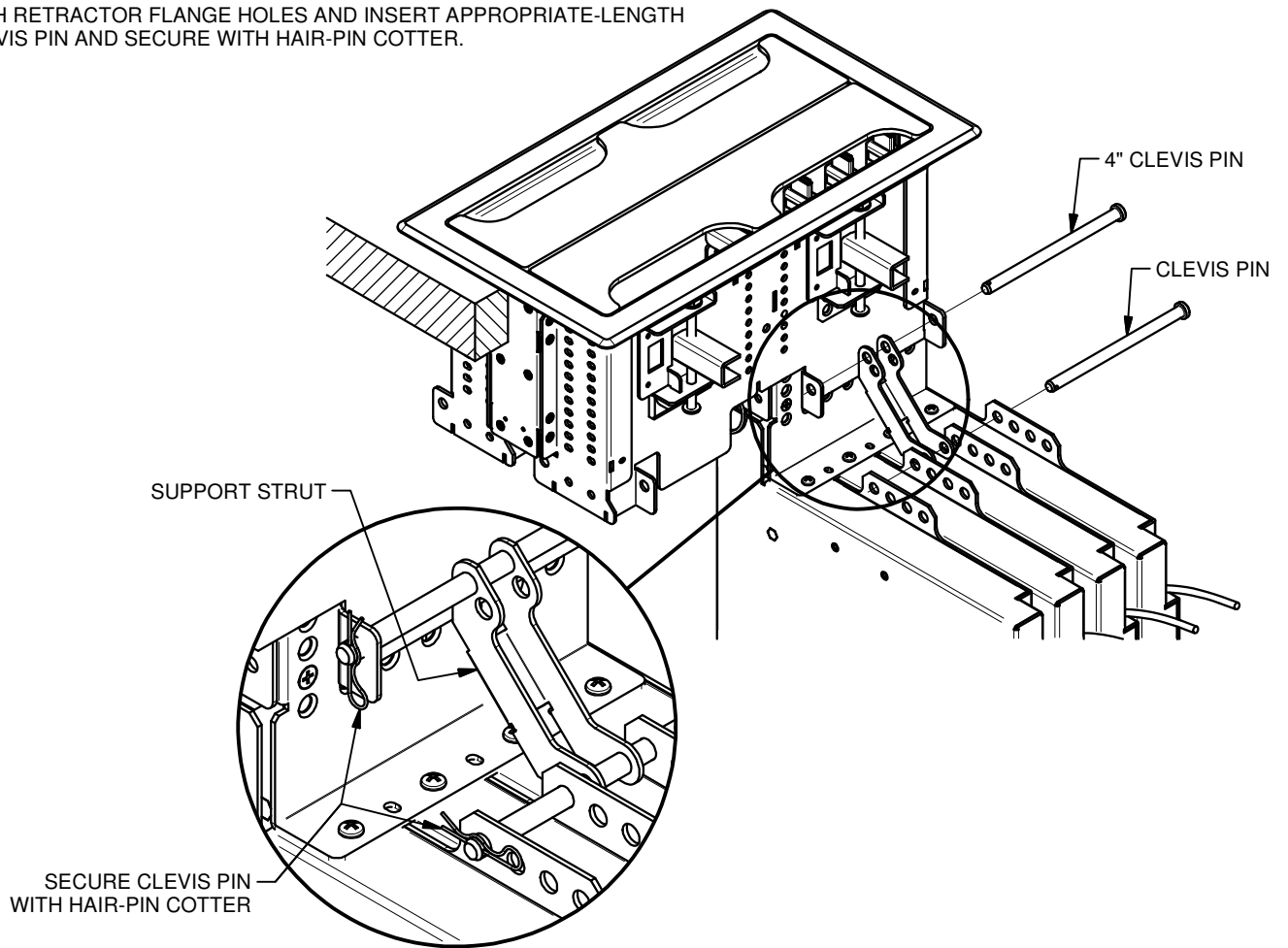
"RIGHT" STANDARD INSTALLATION

NOTE: WHEN INSTALLING RETRACTORS ON BOTH SIDES, THE "RIGHT" SIDE **MUST** BE INSTALLED FIRST.

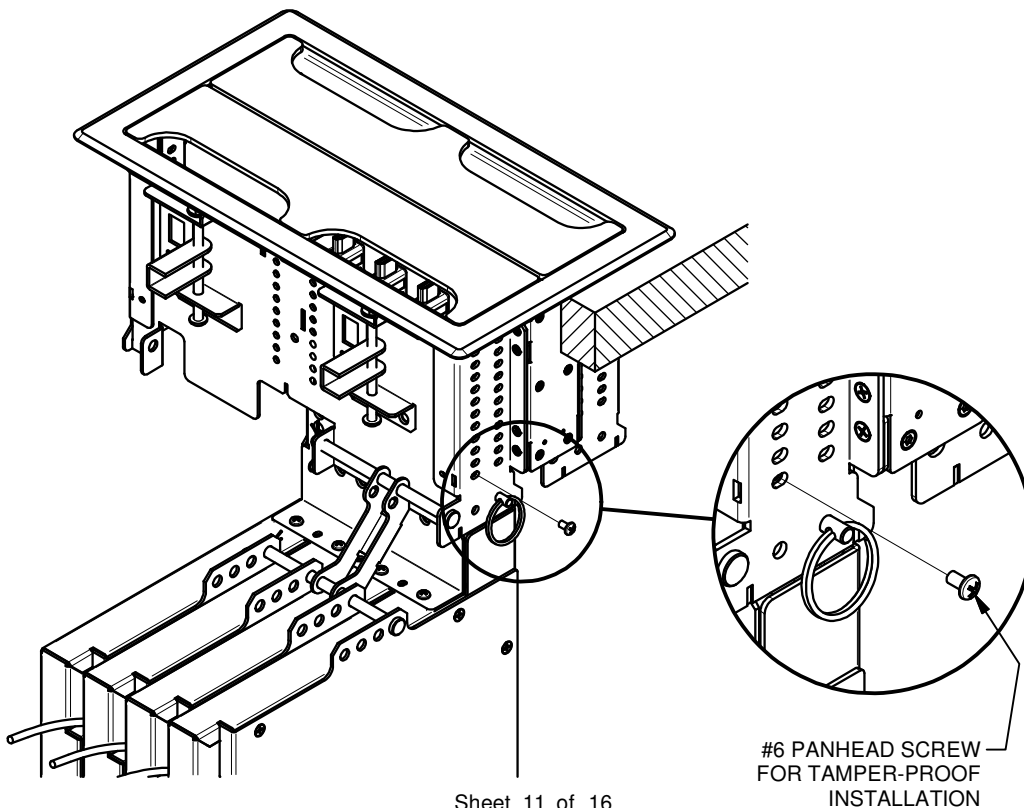
RS-1. SLIDE RETRACTOR ASSEMBLY INTO RT6-RD4 ASSEMBLY. ALIGN RING-PIN HOLES AND INSERT (2) RING-PIN ON BOTH SIDES OF ASSEMBLY.



RS-2. INSTALL SUPPORT STRUT ONTO RT6-RD4 CHASSIS WITH 4" CLEVIS PIN AND SECURE WITH HAIR-PIN COTTER. ALIGN SUPPORT STRUT HOLE WITH RETRACTOR FLANGE HOLES AND INSERT APPROPRIATE-LENGTH CLEVIS PIN AND SECURE WITH HAIR-PIN COTTER.



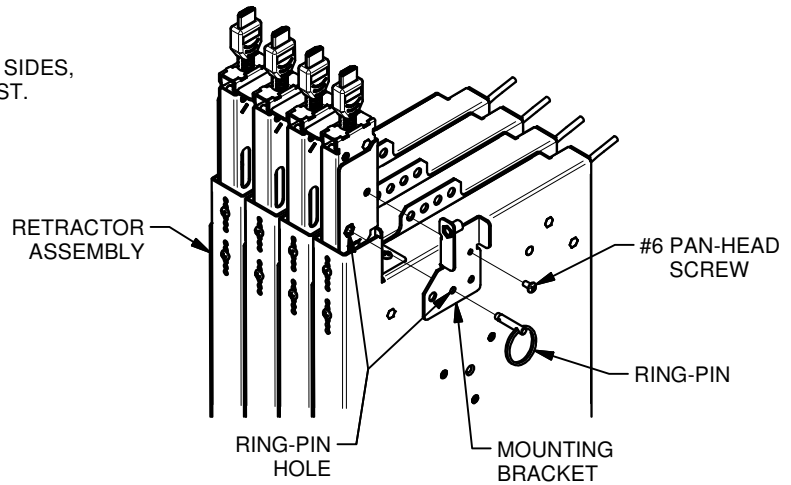
RS-3. FOR ADDITIONAL TAMPER-PROOF INSTALLATION, INSTALL #6-32 x 1/4 LONG PAN HEAD SCREW.



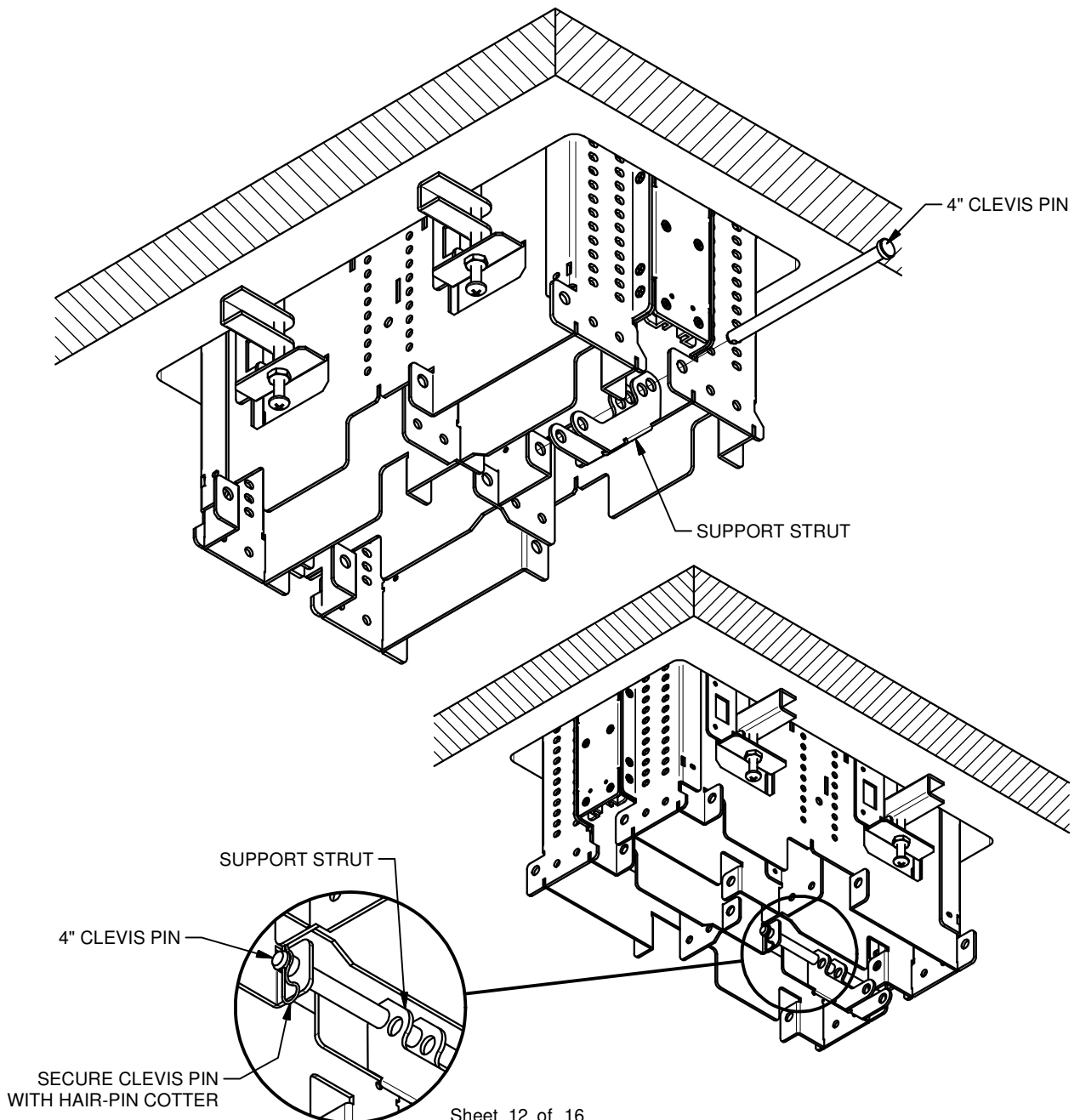
"LEFT" REVERSE INSTALLATION

NOTE: WHEN INSTALLING RETRACTORS ON BOTH SIDES, THE "RIGHT" SIDE **MUST** BE INSTALLED FIRST.

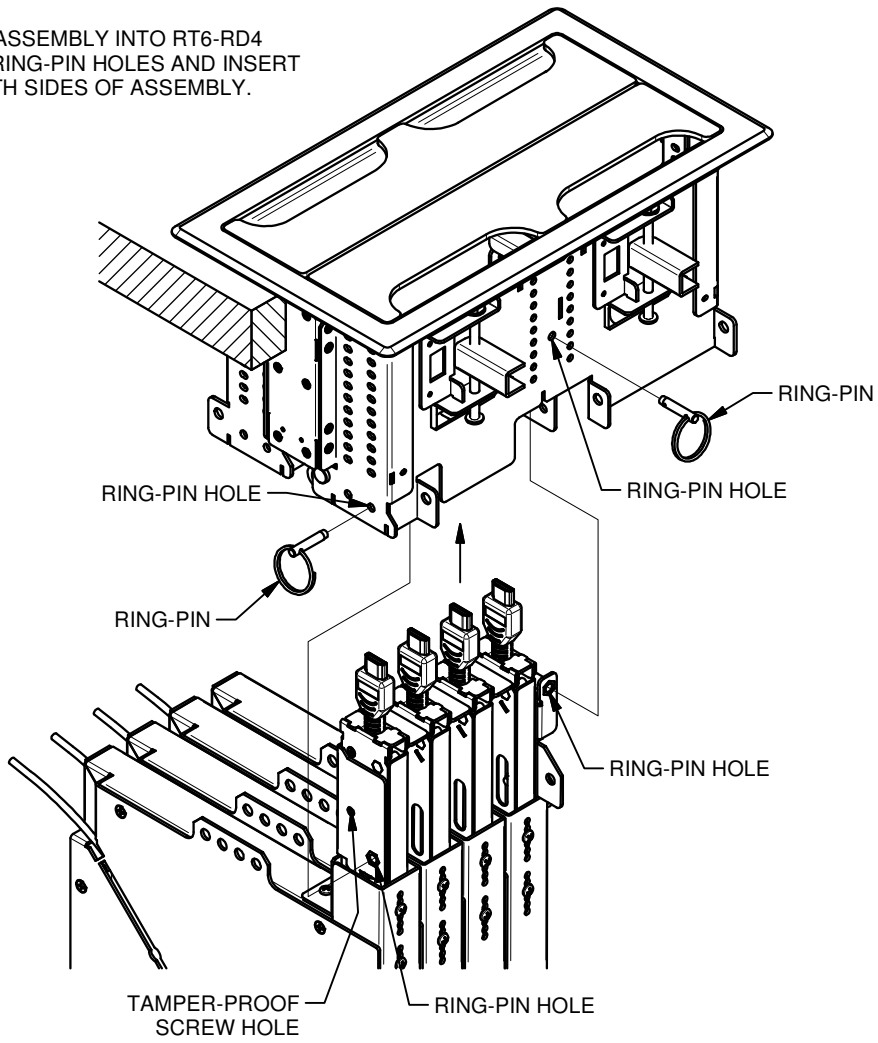
LR-1. INSTALL MOUNTING BRACKET ONTO RETRACTOR ASSEMBLY.



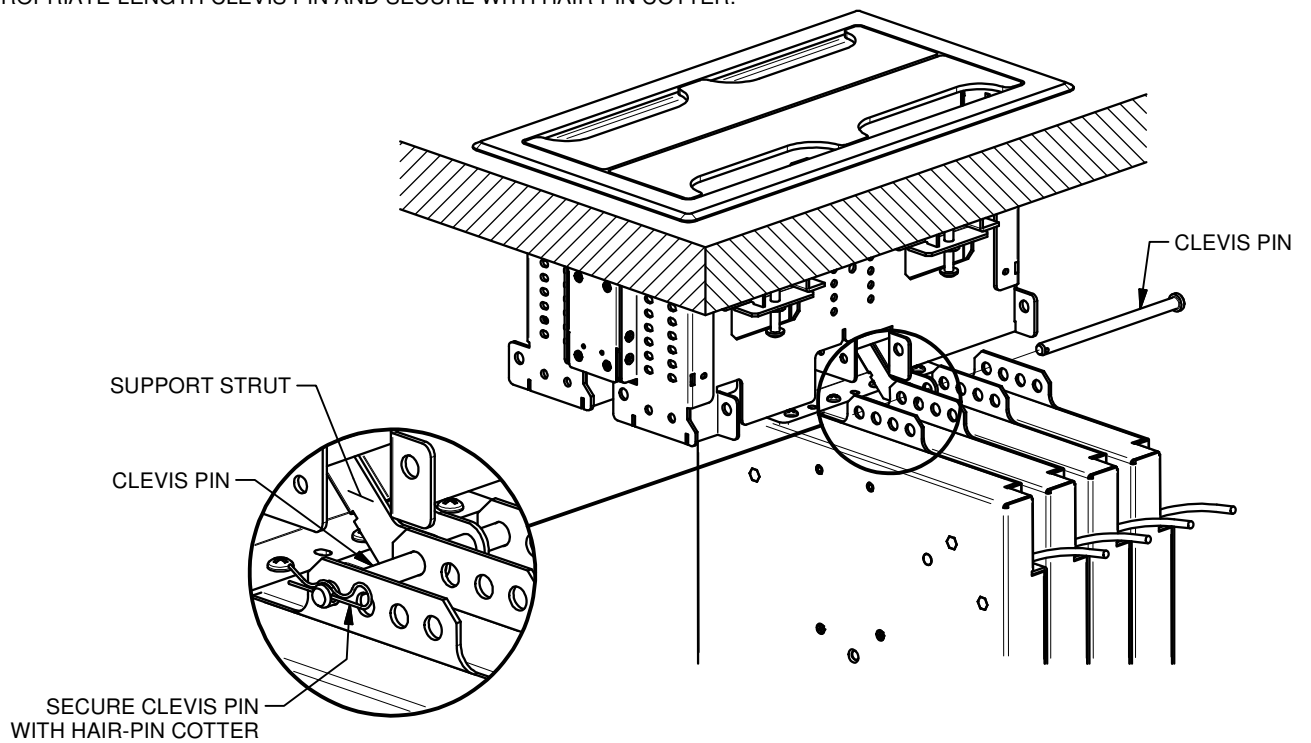
LR-2. INSTALL SUPPORT STRUT ONTO RT6-RD4 CHASSIS WITH 4" CLEVIS PIN AND SECURE WITH HAIR-PIN COTTER.



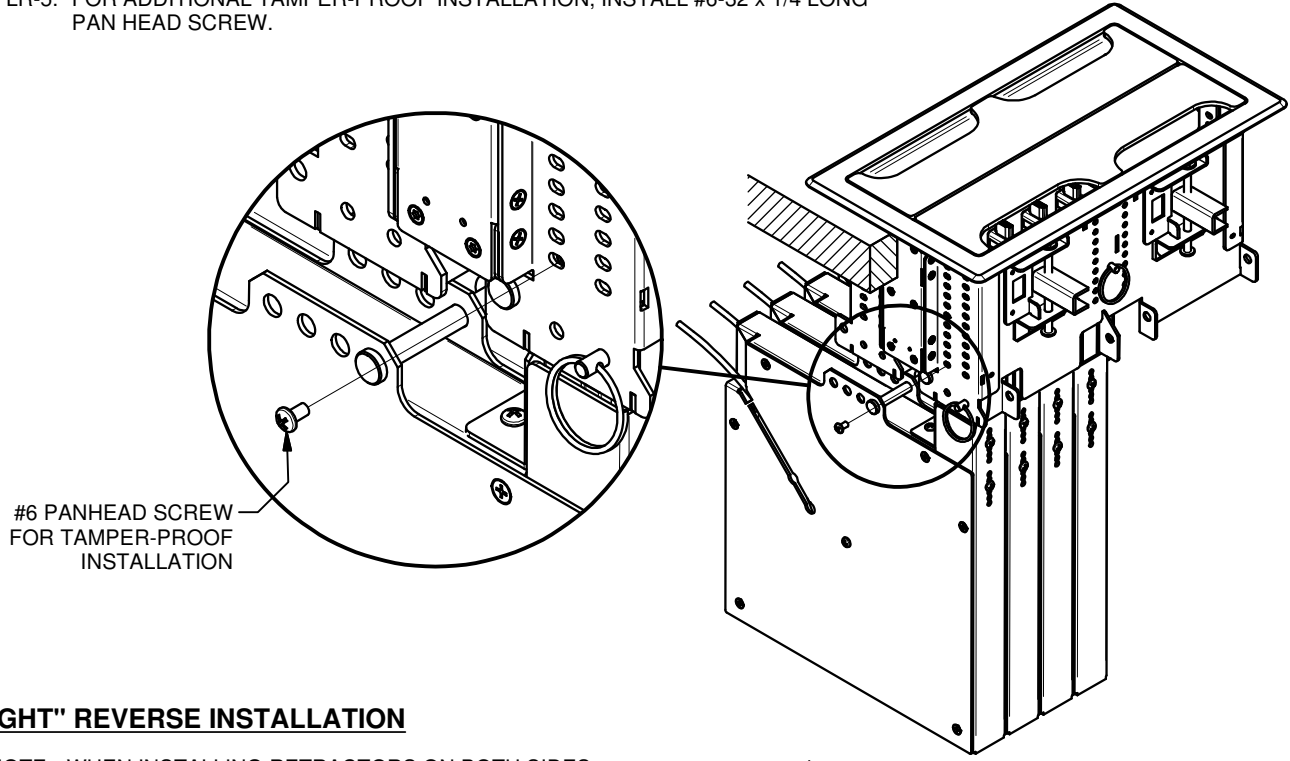
LR-3. SLIDE RETRACTOR ASSEMBLY INTO RT6-RD4 ASSEMBLY. ALIGN RING-PIN HOLES AND INSERT (2) RING-PIN ON BOTH SIDES OF ASSEMBLY.



LR-4. ALIGN SUPPORT STRUT HOLE WITH RETRACTOR FLANGE HOLES AND INSERT APPROPRIATE-LENGTH CLEVIS PIN AND SECURE WITH HAIR-PIN COTTER.



LR-5. FOR ADDITIONAL TAMPER-PROOF INSTALLATION, INSTALL #6-32 x 1/4 LONG PAN HEAD SCREW.

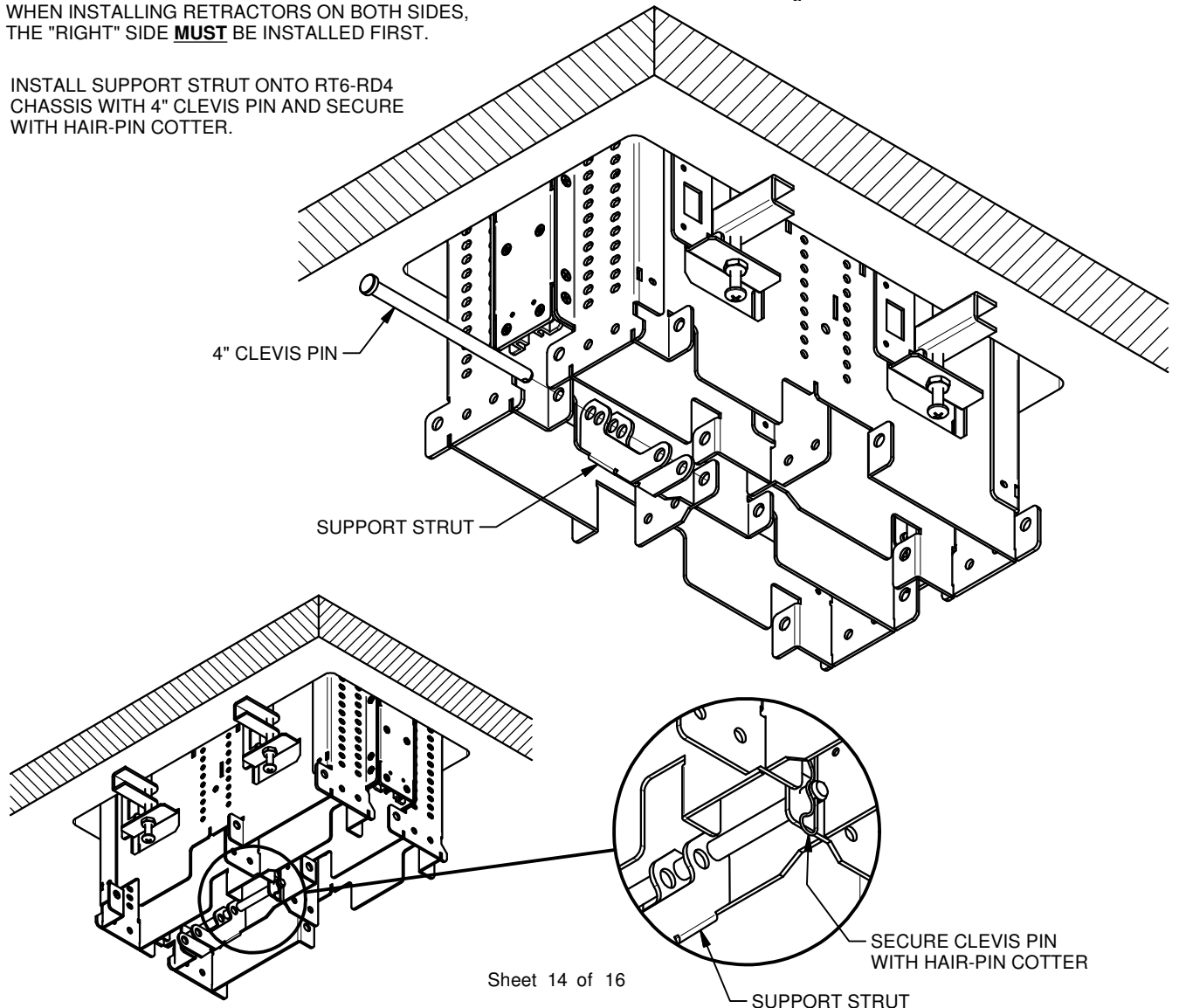


#6 PANHEAD SCREW
FOR TAMPER-PROOF
INSTALLATION

"RIGHT" REVERSE INSTALLATION

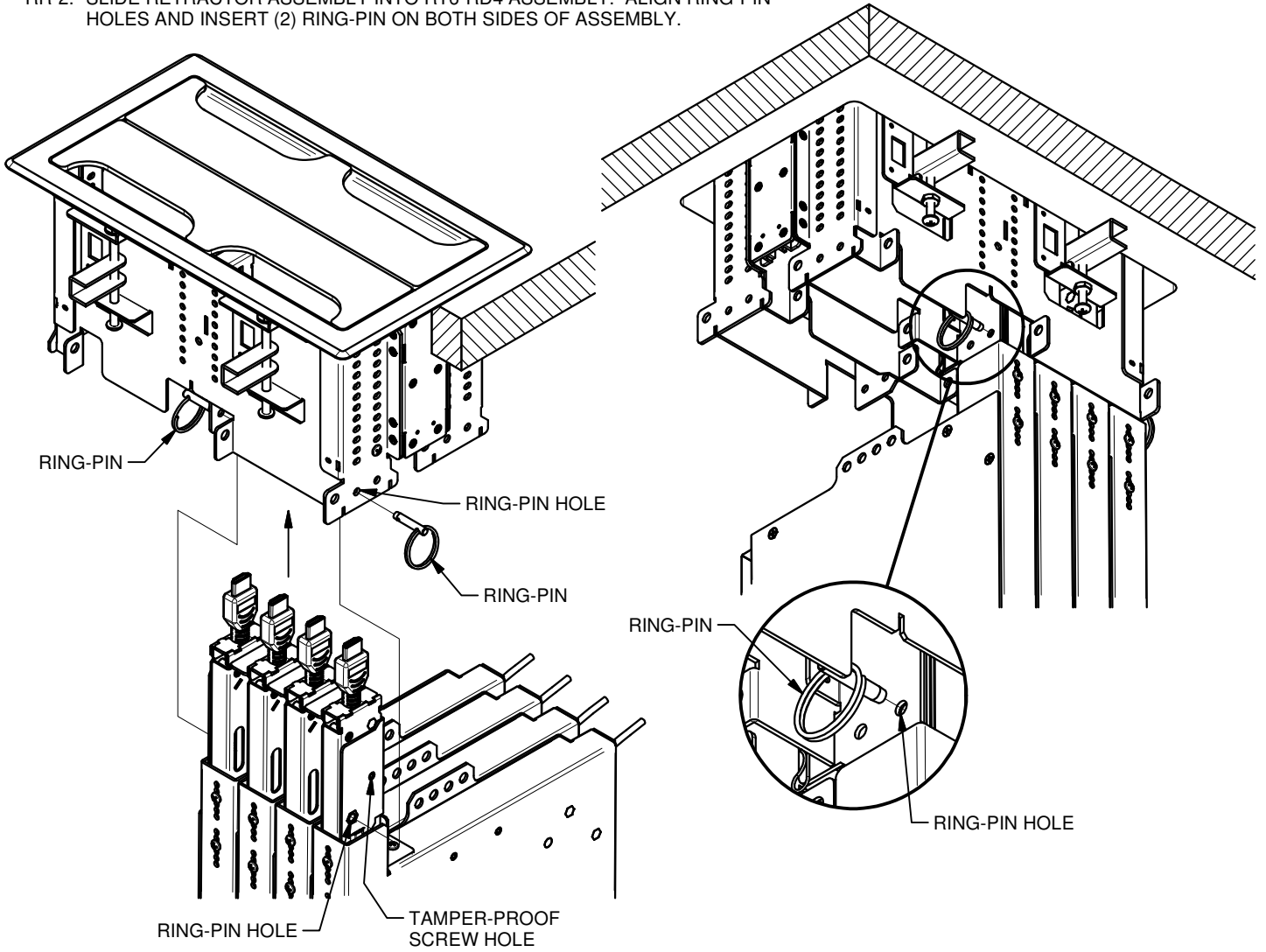
NOTE: WHEN INSTALLING RETRACTORS ON BOTH SIDES, THE "RIGHT" SIDE **MUST** BE INSTALLED FIRST.

RR-1. INSTALL SUPPORT STRUT ONTO RT6-RD4 CHASSIS WITH 4" CLEVIS PIN AND SECURE WITH HAIR-PIN COTTER.

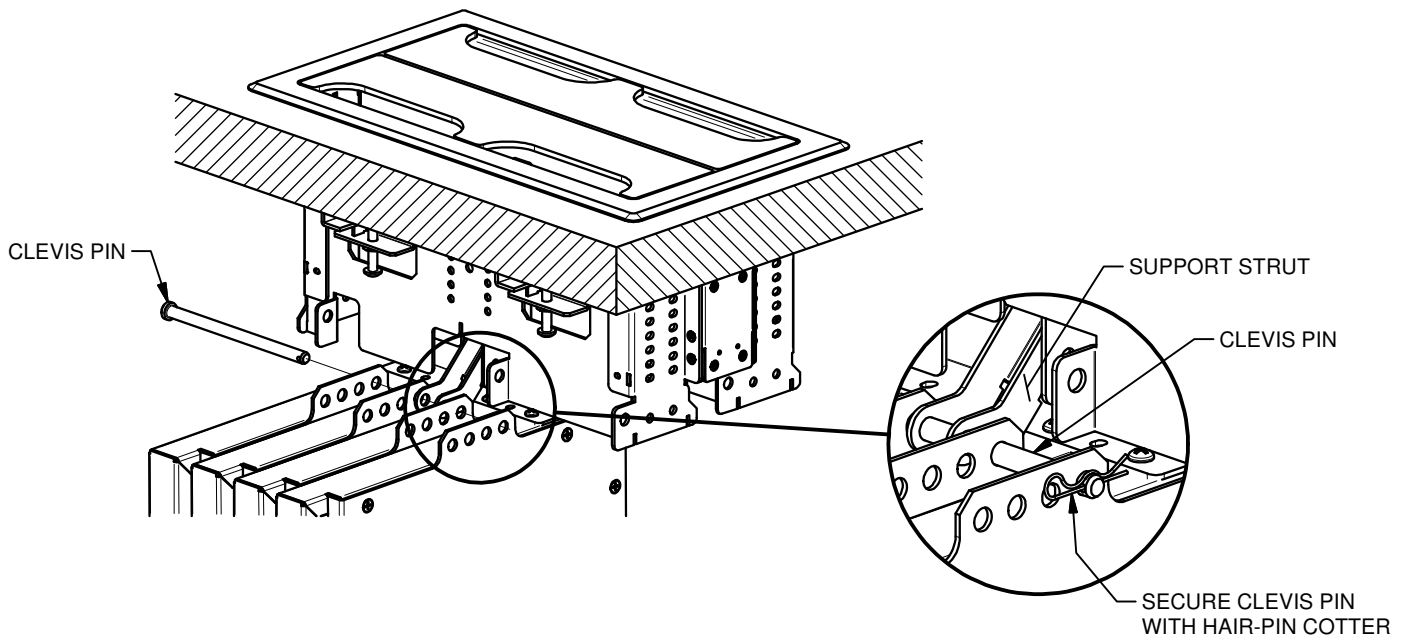


SECURE CLEVIS PIN
WITH HAIR-PIN COTTER
SUPPORT STRUT

RR-2. SLIDE RETRACTOR ASSEMBLY INTO RT6-RD4 ASSEMBLY. ALIGN RING-PIN HOLES AND INSERT (2) RING-PIN ON BOTH SIDES OF ASSEMBLY.



RR-3. ALIGN SUPPORT STRUT HOLE WITH RETRACTOR FLANGE HOLES AND INSERT APPROPRIATE-LENGTH CLEVIS PIN AND SECURE WITH HAIR-PIN COTTER.



RR-4. FOR ADDITIONAL TAMPER-PROOF INSTALLATION, INSTALL #6-32 x 1/4 LONG PAN HEAD SCREW.

