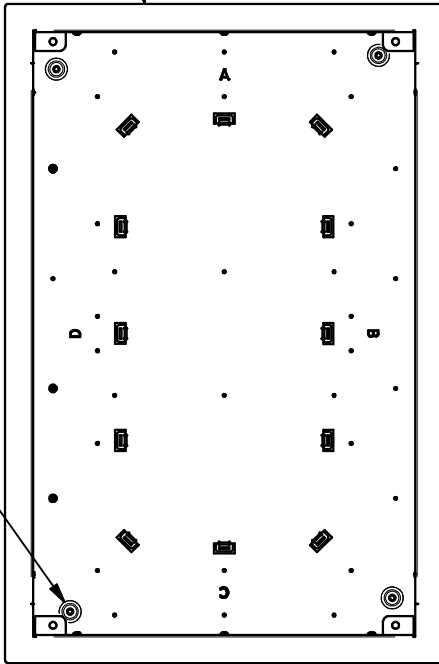


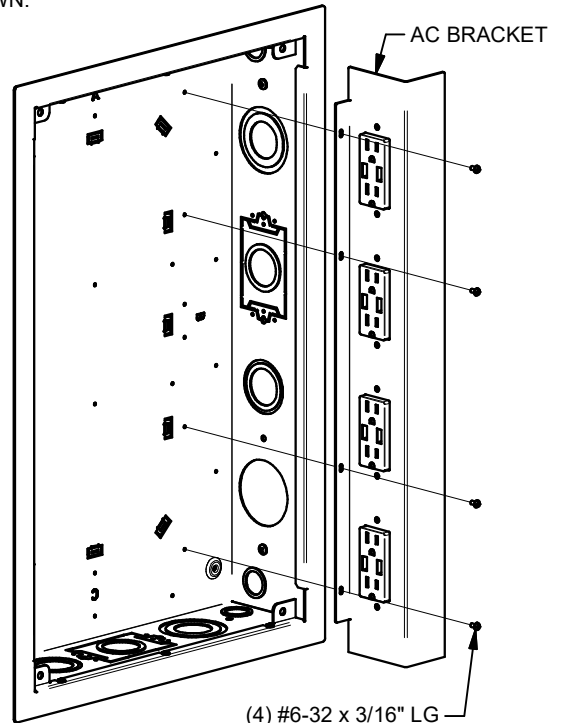
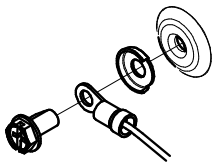
1. AC BRACKET CAN ONLY BE MOUNTED VERTICALLY.

2. ASSEMBLE PWB-320XL-AC4/PWB-323XL-AC4 AND MAKE ELECTRICAL CONNECTIONS AS REQUIRED IN ACCORDANCE WITH ALL APPLICABLE ELECTRICAL CODES. INSTALL AS SHOWN.

BOX SHOWN WITH
OPTIONAL TRIM RING



(4) GROUND SCREW
LOCATION



(4) #6-32 x 3/16" LG
PAN HEAD SCREW
(SUPPLIED)

2 POSSIBLE PWB-320XL-AC4 / PWB-323XL-AC4 LOCATIONS

