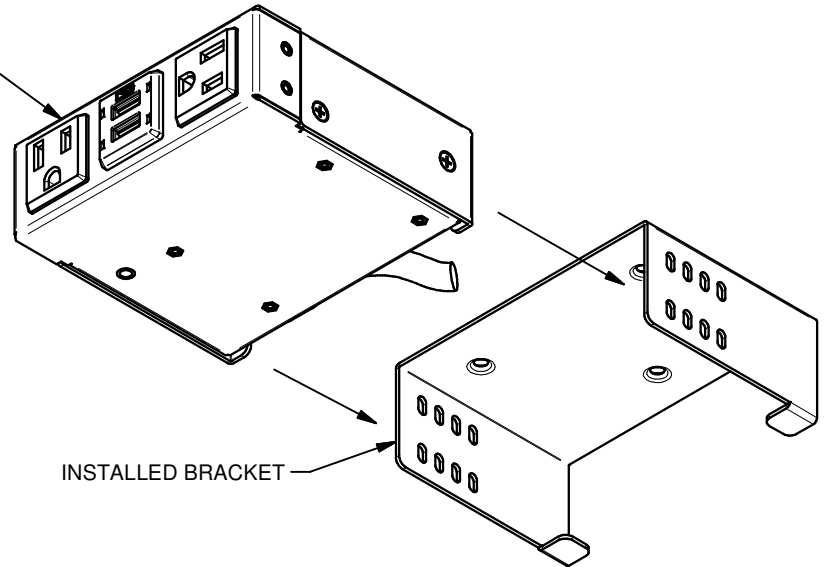
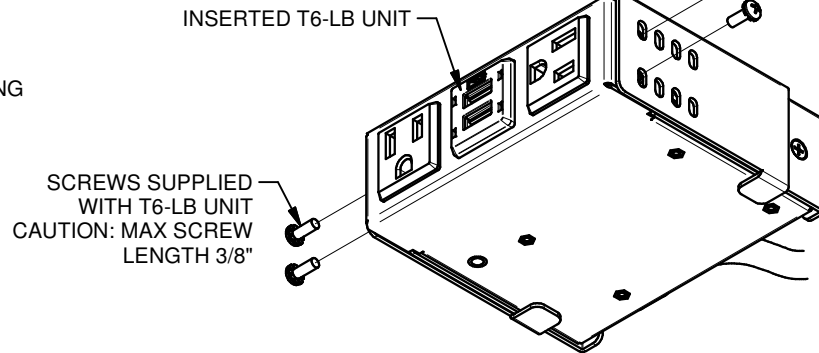


T6-LB UNIT (SOLD SEPARATELY OR INCLUDED WITH TM-UT1-AC2CH)

1. FOR BEST RESULTS INSERT FSR SERIES T6-LB UNIT (SOLD SEPARATELY OR INCLUDED WITH TM-UT1-AC2CH) INTO BRACKET.



2. SECURE FSR SERIES T6-LB UNIT TO BRACKET AND DETERMINE MOUNTING LOCATION ON TABLE UNDERSIDE.



3. REMOVE T6-LB UNIT FROM BRACKET. USE BRACKET AS TEMPLATE FOR PILOT HOLES AND SECURE BRACKET TO TABLE WITH SUPPLIED MOUNTING SCREWS. REINSTALL T6-LB UNIT AND MAKE ELECTRICAL CONNECTIONS AS REQUIRED.

