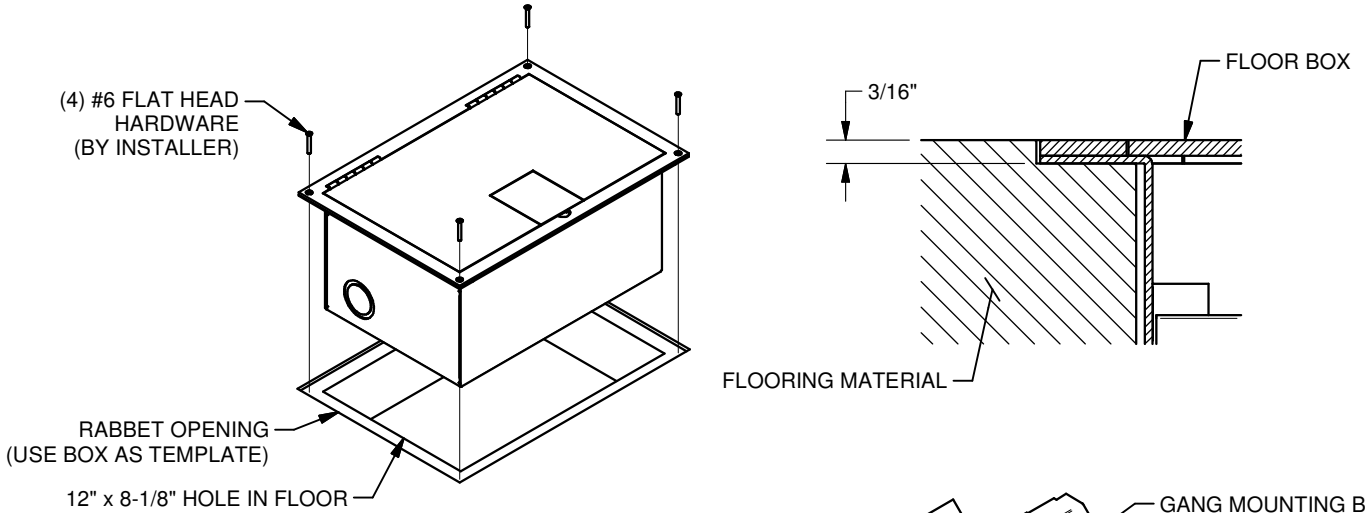


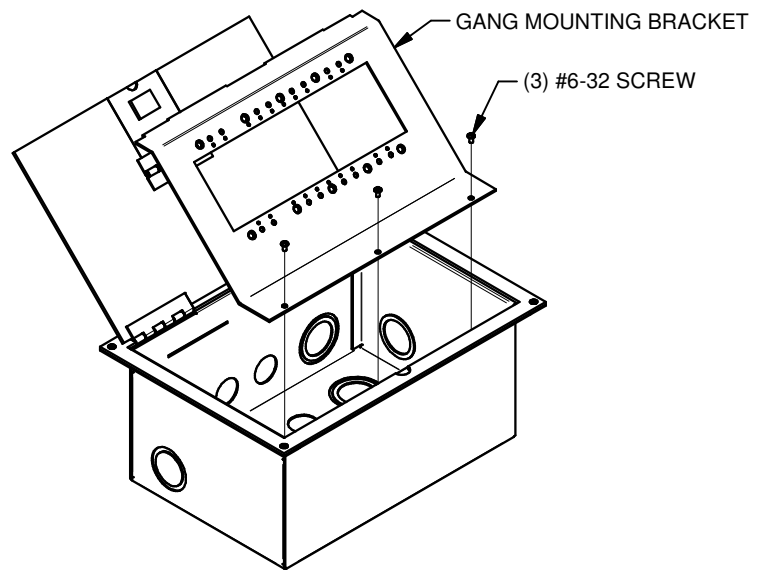
BOX INSTALLATION

FOR FINISHED WOOD FLOORS ONLY. LOCATE AND POSITION BOX IN ACCORDANCE WITH FLOOR PLANS. HOLE TO BE CUT IN FLOOR - 12" x 8-1/8". SECURE WITH #6 FLAT HEAD HARDWARE (BY INSTALLER). OPENING SHOULD BE RABBETED 3/16" DEEP (USE BOX AS TEMPLATE). ROUTE CONDUIT (BY INSTALLER) TO BOX AS REQUIRED.

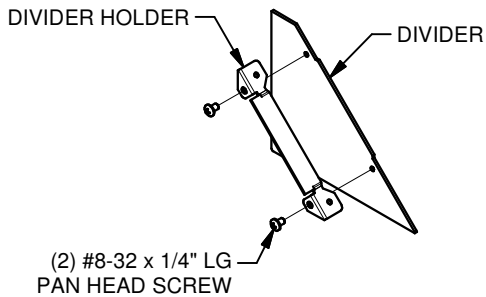


GANG MOUNTING BRACKET

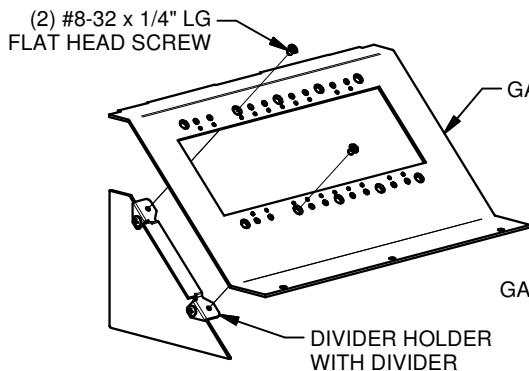
REMOVE GANG MOUNTING BRACKET AND CONFIGURE PER CUSTOMER SPECIFICATIONS (SEE GANG MOUNTING BRACKET CONFIGURATIONS). INSTALL COVER PLATE, DIVIDER & DIVIDER HOLDER AS REQUIRED.



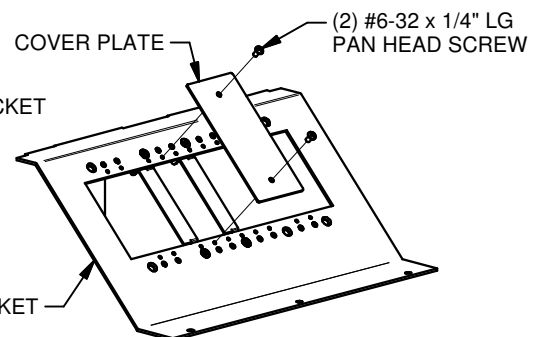
DIVIDER ASSEMBLY



DIVIDER HOLDER ASSEMBLY (WITH OR WITHOUT DIVIDER)

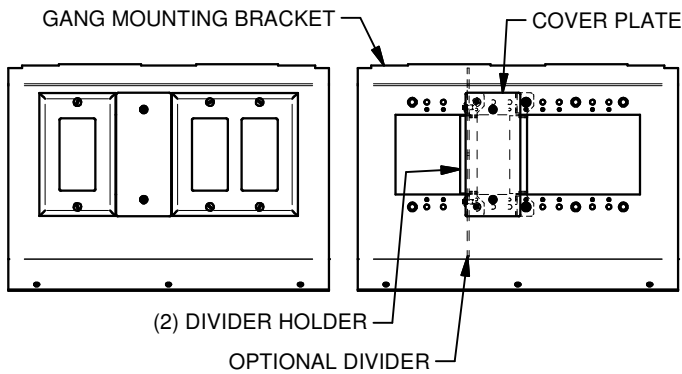


COVER PLATE ASSEMBLY

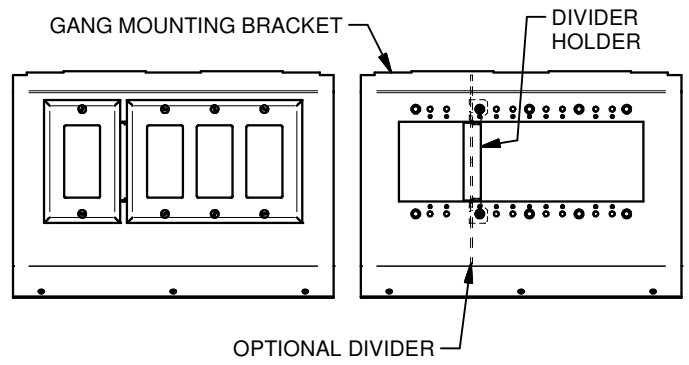


GANG MOUNTING BRACKET CONFIGURATIONS

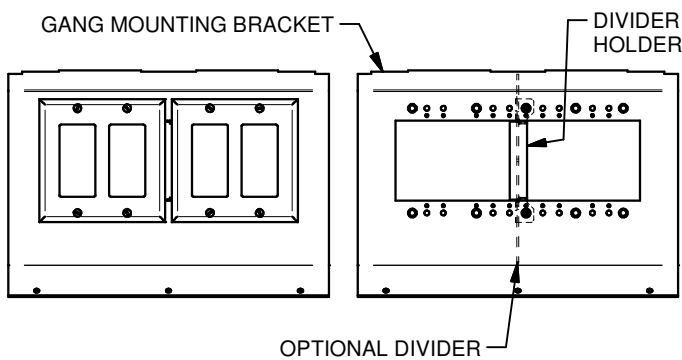
PER CUSTOMER SPECIFICATIONS, CONFIGURE GANG MOUNTING BRACKETS AS SHOWN BELOW AND REASSEMBLE INTO BOX (DECORA WALL PLATES SHOWN AS REFERENCE AND NOT INCLUDED).



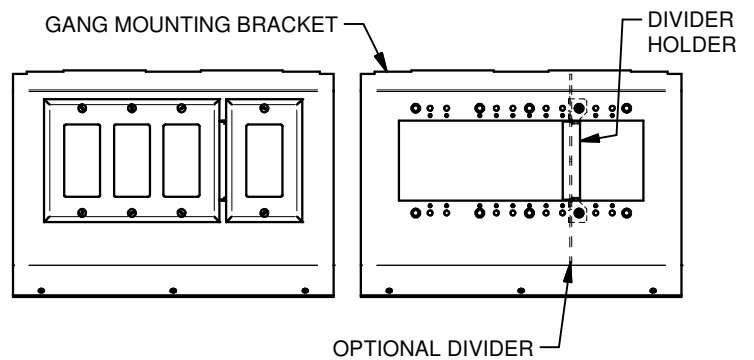
1-GANG/2-GANG CONFIGURATION



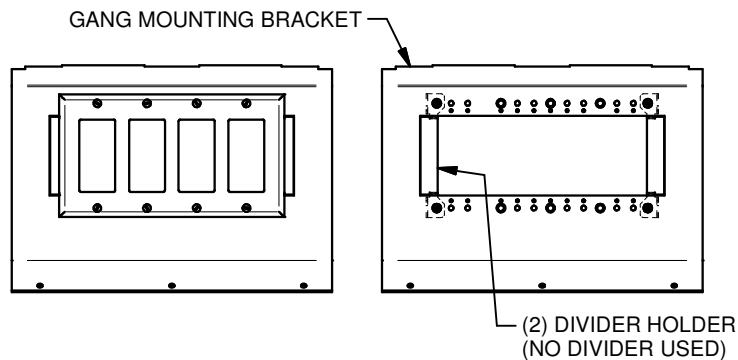
1-GANG/3-GANG CONFIGURATION



2-GANG/2-GANG CONFIGURATION



3-GANG/1-GANG CONFIGURATION



4-GANG CONFIGURATION

INSTALLING ELECTRONIC COMPONENTS

PULL WIRES AND CABLES TO BOX AS REQUIRED (REMOVAL OF GANG MOUNTING BRACKETS MAY BE REQUIRED). TERMINATE WIRES AND CABLES TO ELECTRONIC COMPONENTS, AND INSTALL ELECTRONIC COMPONENTS ONTO GANG MOUNTING BRACKETS.

