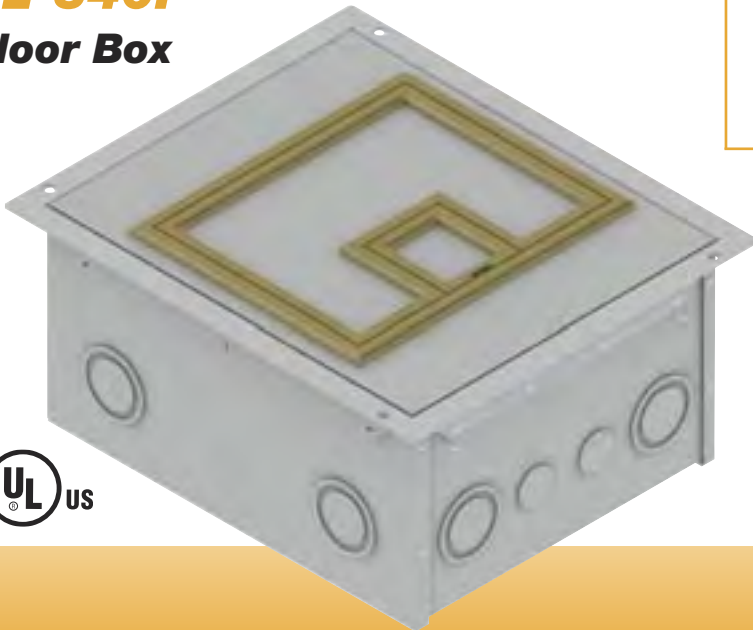


FL-540P Floor Box



FSR

Metal Products Group

FL-540P Floor Box

- 11-gauge steel temporary construction cover included
- 11-gauge finished steel cover with choice of carpet edging
- Mitered brass or aluminum carpet edging .5" or .25" high
- Stainless steel compression latches
- Lift-off full access door

DESCRIPTION

The FL-540P floor box is designed for raised access floors. This floor box provides a practical solution for cable storage while maintaining easy access. The lift off section of the cover allows full access to the internal cables and connector plates. A smaller hinged trap door folds back to create the cable exit. Cables can be stored within the box when not in use, allowing unencumbered travel over the floor. The sturdy drop-in floor lip supports the unit and installs flush with the floor. The 1/4" carpet edging is available in brass or aluminum. Flat covers without flanges are also offered in black sandtex.

The innovation continues to the "transformable" back box. The FL-540P's internal brackets can be arranged to provide numerous options for both high and low voltage standard gang openings making it the most flexible and easiest to install floor box available. The 4" through 10" deep boxes are UL listed. The unit includes all the necessary internal plates and brackets to make "pre" and "post" installation compartment changes quick and easy. Using this system, both high and low voltage gang configurations along with line voltage compartment isolation can be implemented "on the fly". This makes just about any cabling/connector scenario possible.

SPECIFICATIONS

Size:	Box:	10" x 12" x depth
	Cover:	10" x 12" x 0.125"
Edging:	Height:	.25"
	Material:	Brass or Aluminum
		Flat Covers also available
Weight:		16 lbs.

FIRE-RESISTANT FLOOR BOXES

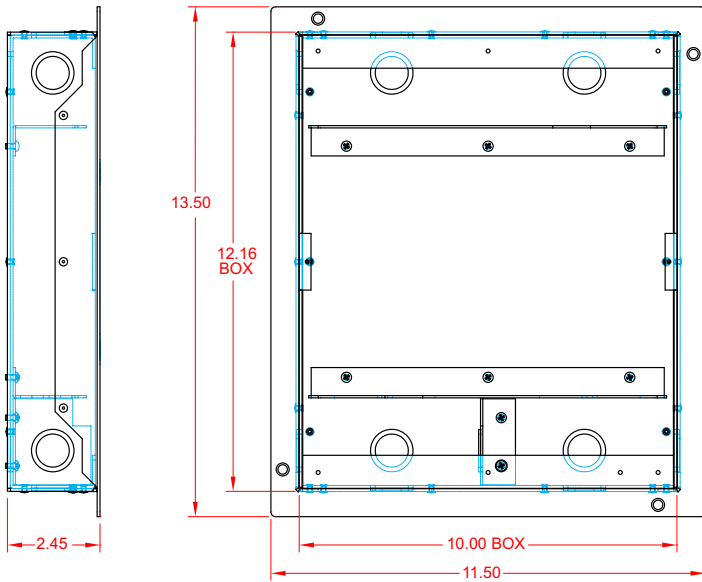


See Lit 1458 FR Brochure for details.

FSR also offers a line of larger Fire-Resistant floor boxes.

Our FL-500P-6-FRK and FL-605P-6-FRK floor solutions expand the versatility of our floor box line by providing enhanced, fire-resistant versions of our existing products. Our FRK kits are UL listed and comply with UL 263 Fire Resistance Ratings.

BACK BOX DETAIL DRAWINGS



FL-540P-2.25 2.25" Deep

Non-UL

The FL-540P-2.25 includes:

- One Dual Duplex opening bracket
- One Blank plate
- One dual Decora style opening bracket
- One AC Divider bracket

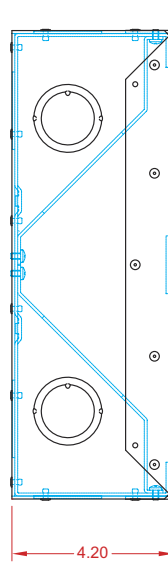
KNOCKOUT SPECIFICATIONS

FL-540P-2.25	
KO trade size	Qty/Box
1/2" / 3/4" Concentric	13

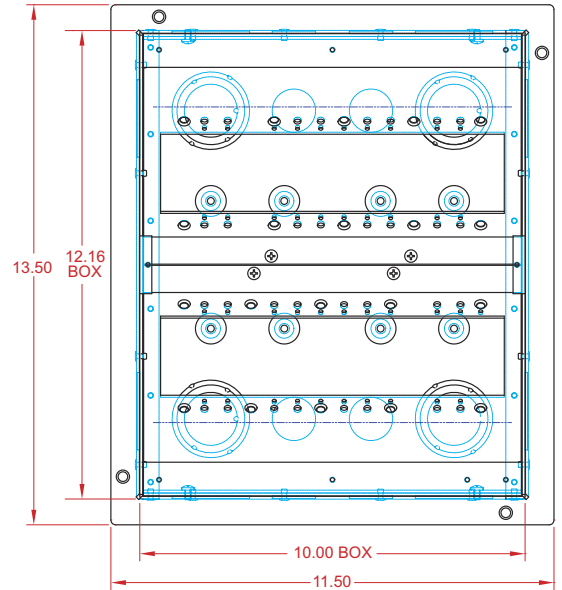
KNOCKOUT SPECIFICATIONS

FL-540P-4	
KO trade size	Qty/Box
3/4"	8
1.00" / 1-1/4" Concentric	4
1.00" / 1-1/4" / 1-1/2" Concentric	8

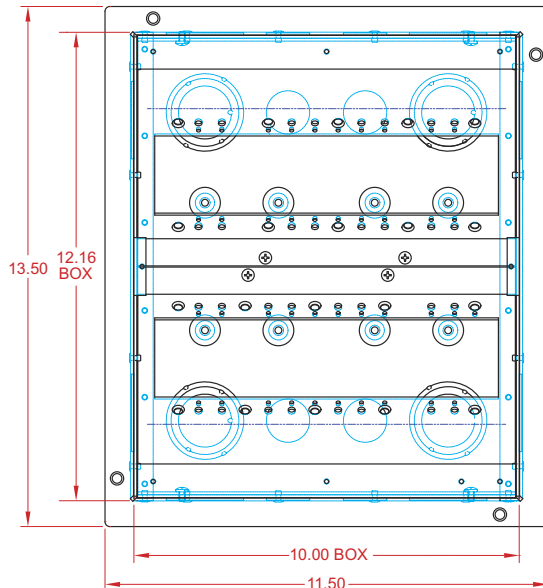
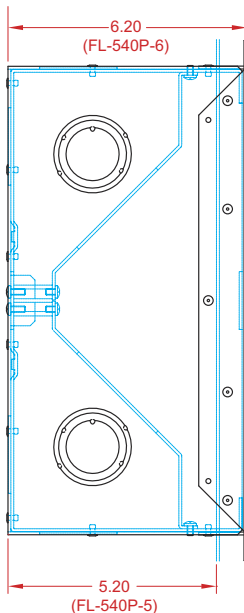
* Optional brackets available for these back boxes. See the ordering table for more information.



FL-540P-4 4" Deep



FL-540P-5 & 6 5" & 6" Deep

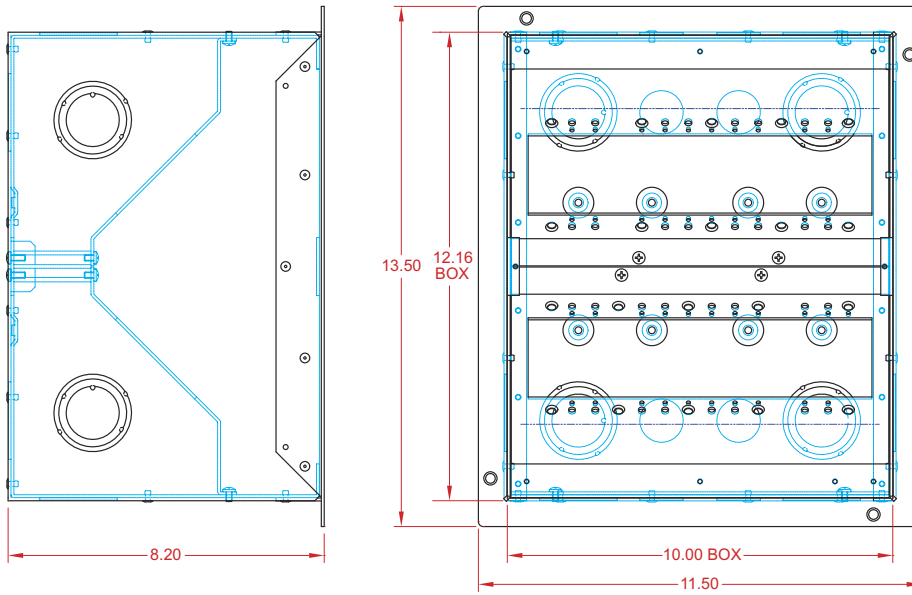


KNOCKOUT SPECIFICATIONS

FL-540P-5" and 6"	
KO trade size	Qty/Box
3/4"	8
1.00" / 1-1/4" / 1-1/2" Concentric	12



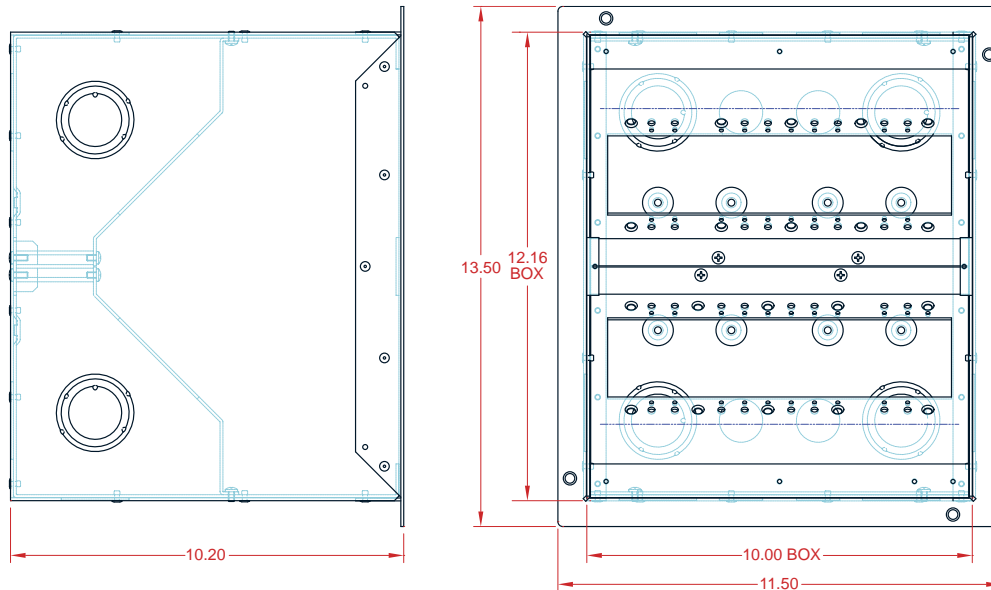
FL-540P-8 8" Deep



KNOCKOUT SPECIFICATIONS

FL-540P-8	
KO trade size	Qty/Box
3/4"	8
1.00" / 1-1/4" / 1-1/2" Concentric	12

FL-540P-10 10" Deep



KNOCKOUT SPECIFICATIONS

FL-540P-10	
KO trade size	Qty/Box
3/4"	8
1.00" / 1-1/4" / 1-1/2" Concentric	12

PLATE CONFIGURATIONS

The back boxes contain two identical angled mounting brackets and either side can be configured as shown using the included parts. The various plates are shown only as a few possible examples and are not included.

Plate Configuration 1-2



Plate Configuration 1-3



Plate Configuration 2-2



Plate Configuration 3-1



Plate Configuration 4



FL-540P "TRANSFORMABLE" BACKBOX

GANG PLATE DIVIDERS

Add and remove as needed to form a multitude of gang arrangement possibilities

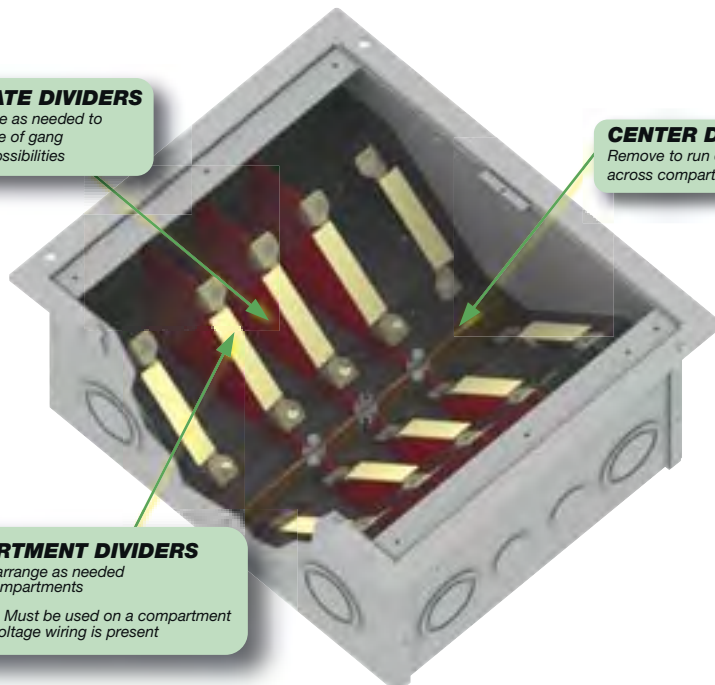
CENTER DIVIDERS

Remove to run cables across compartments

COMPARTMENT DIVIDERS

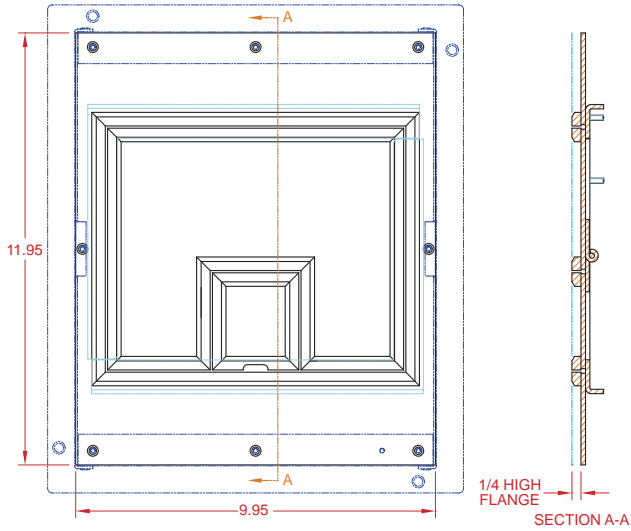
Remove or arrange as needed to isolate compartments

WARNING: Must be used on a compartment where line voltage wiring is present

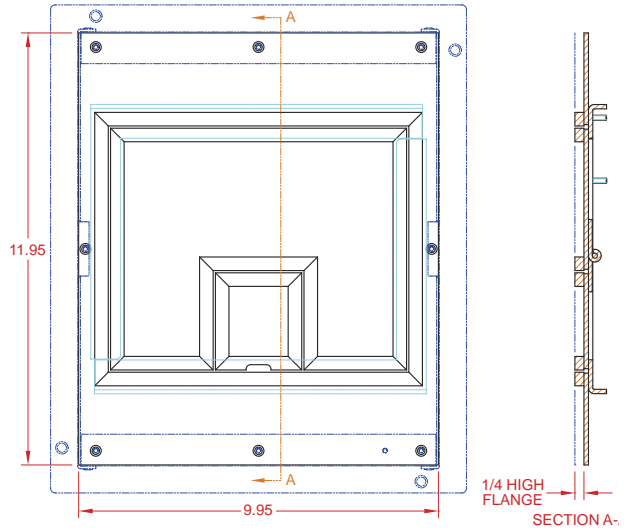


COVER DETAIL DRAWINGS

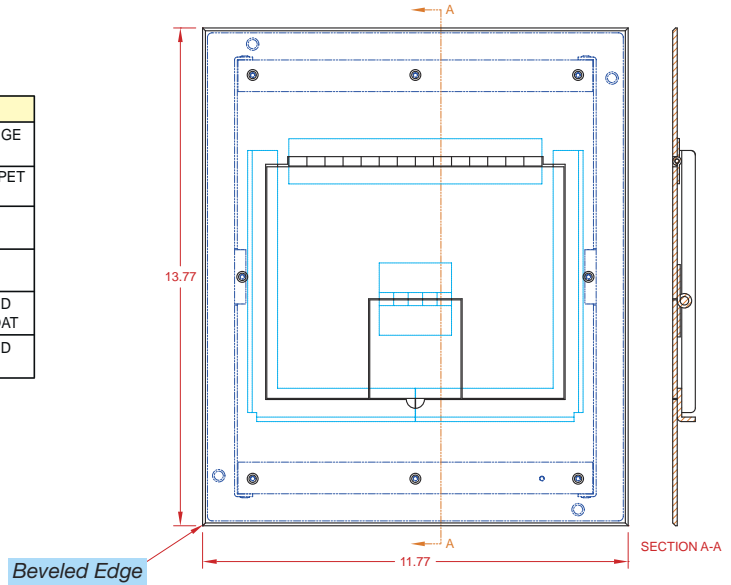
STYLE 1



STYLE 2



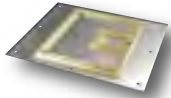
STYLE 3



STYLE	MODEL NUMBER	DESCRIPTION
1	FL-540P-BLP-C	COVER WITH 1/4" BRASS CARPET FLANGE (LIFT OFF DOOR)
2	FL-540P-BSQ-C	COVER WITH 1/4" SQUARE BRASS CARPET FLANGE (LIFT OFF DOOR)
1	FL-540P-SLP-C	COVER WITH 1/4" ALUMINUM CARPET FLANGE (LIFT OFF DOOR)
2	FL-540P-SSQ-C	COVER WITH 1/4" SQUARE ALUMINUM CARPET FLANGE (LIFT OFF DOOR)
3	FL-540P-BK	FLAT COVER (NO FLANGE) WITH HINGED DOOR IN BLACK WRINKLE POWDER COAT
3	FL-540P-PTSLV	FLAT COVER (NO FLANGE) WITH HINGED DOOR IN SILVER PAINT

Beveled Edge

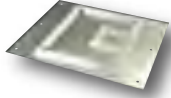
COVER OPTIONS



FL-540P-BLP-C



FL-540P-BSQ-C



FL-540P-SLP-C



FL-540P-SSQ-C



FL-540P-BK

Floor Box Covers and Back Boxes ordering information
FL-540P – Requires ordering Cover and Back Box separately

Item#	Part #	Description
Covers - UL Listed		
18265	FL-540P-BLP-C	Cover With 1/4" Brass Carpet Flange (Lift off door)
18267	FL-540P-BSQ-C	Cover With 1/4" Square Brass Flange (Lift off door)
18266	FL-540P-SLP-C	Cover With 1/4" Aluminum Carpet Flange (Lift off door)
18268	FL-540P-SSQ-C	Cover With 1/4" Square Aluminum Flange (Lift off door)
18269	FL-540P-1/2"BSQ-C	Cover with 1/2" Square Brass Flange (Lift off door)
18270	FL-540P-1/2"SSQ-C	Cover with 1/2" Square Aluminum Flange (Lift Off Door)
Flat Covers (No Flange) with Hinged Door		
15486	FL-540P-BK	Flat Cover in Black Wrinkle Powder Coat
18154	FL-540P-PTSLV	Flat Cover in Silver Paint*
Back Boxes - UL Listed - Includes Steel Construction Cover		
17586	FL-540P-2.25	FL-540P Back Box - 2.25" Deep (NON-UL)
12500	FL-540P-4-B	FL-540P Back Box - 4" Deep
18079	FL-540P-5-B	FL-540P box bottom - 5" Deep
12505	FL-540P-6-B	FL-540P Back Box - 6" Deep
17170	FL-540P-8-B	FL-540P Back Box - 8" Deep
16704	FL-540P-10-B	FL-540P Back Box - 10" Deep

* Silver painted cover not pictured.



MADE IN THE USA



Specifications are subject to change without notice.



244 Bergen Boulevard, Woodland Park, NJ 07424
 Phone: 973.998.2300 · Fax: 973.785.4207
 Web: www.fsrinc.com · E-mail: sales@fsrinc.com