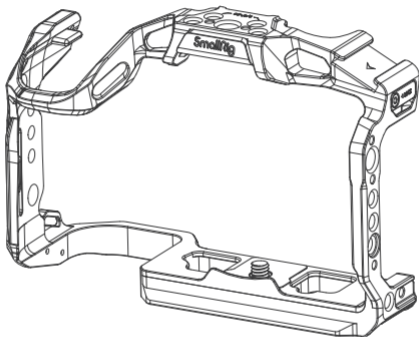


SmallRig



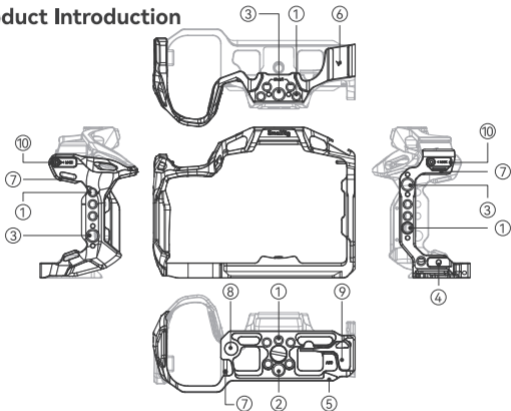
“Black Mamba” Camera Cage for Canon EOS R6 Mark II

User Manual

Foreword

Thank you for purchasing SmallRig's product.

Product Introduction



① 1/4"-20 Threaded Hole

④ M4 Threaded Hole

⑦ Strap Slot

② 3/8"-16 Threaded Hole

⑤ Arca-Swiss Plate

⑧ QD Socket

③ ARRI 3/8"-16 Locating Hole

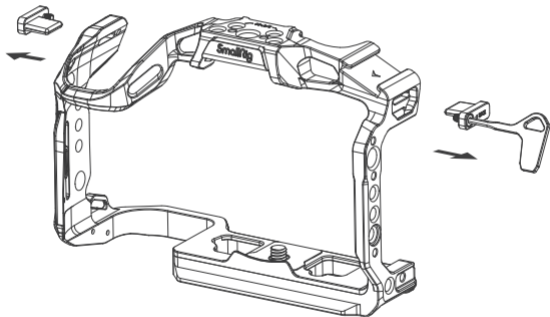
⑥ Cold Shoe Mount

⑨ Dual-Head Wrench

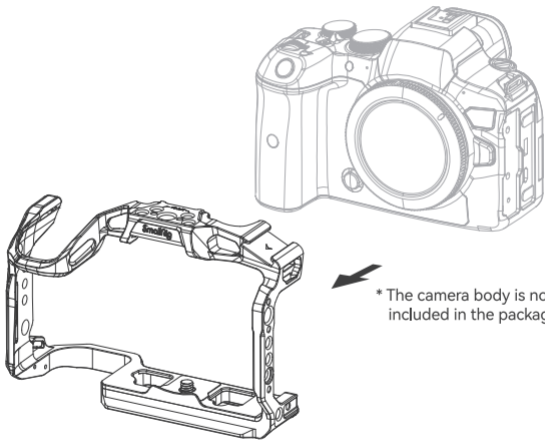
⑩ Side Lock Adapter

Installation Instruction

- * Before installation, please use the Dual-Head Wrench to remove the side lock adapters on both sides of the cage first.

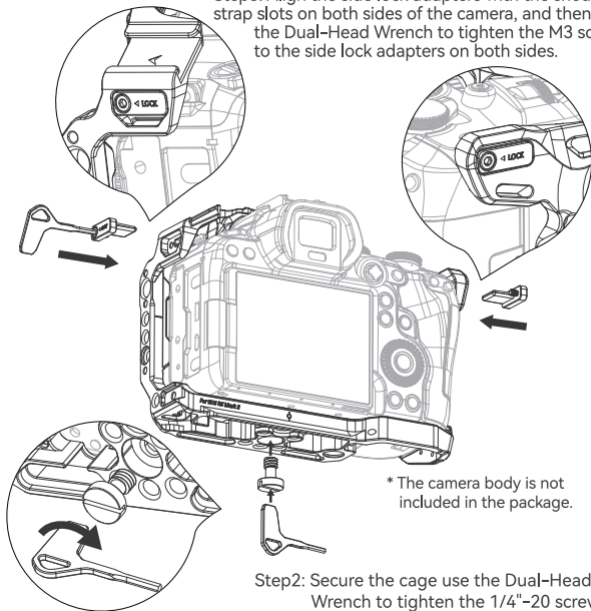


Step1: Put the camera into the cage from back to the front.



* The camera body is not included in the package.

Step3: Align the side lock adapters with the shoulder strap slots on both sides of the camera, and then use the Dual-Head Wrench to tighten the M3 screws to the side lock adapters on both sides.



Step2: Secure the cage use the Dual-Head Wrench to tighten the 1/4"-20 screw.

Specifications

Product Dimensions	153 × 74 × 114.5mm
Product Weight	158g ± 5g
Material(s)	Aluminum Alloy