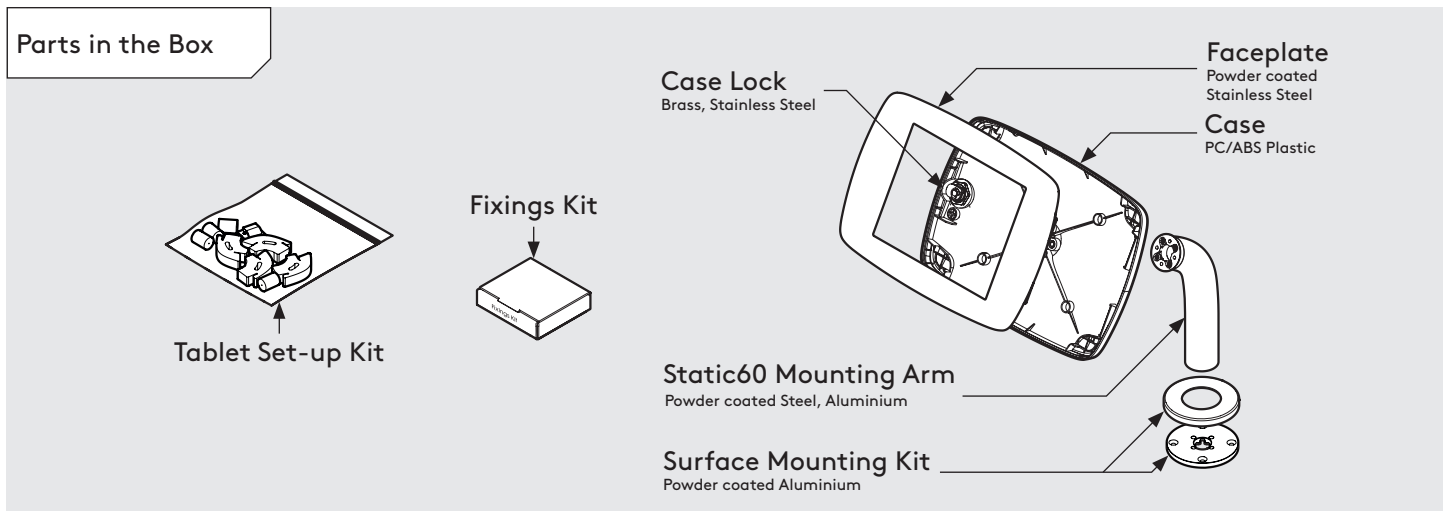
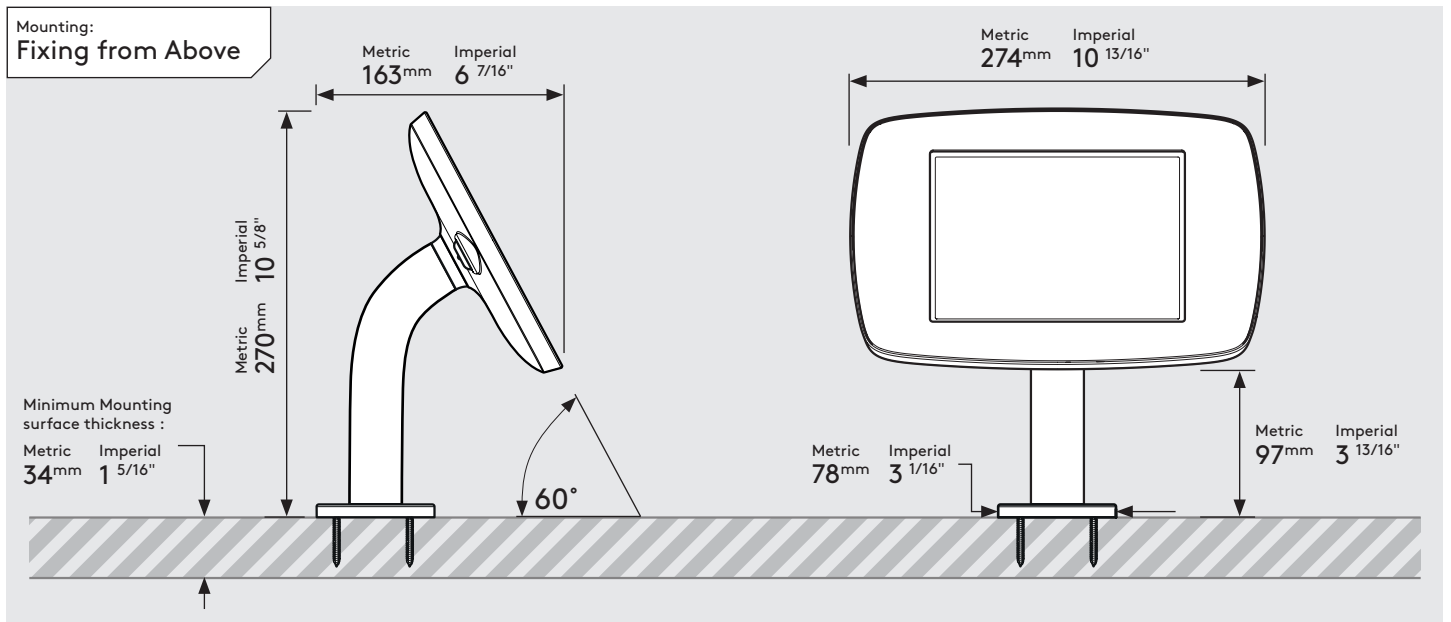
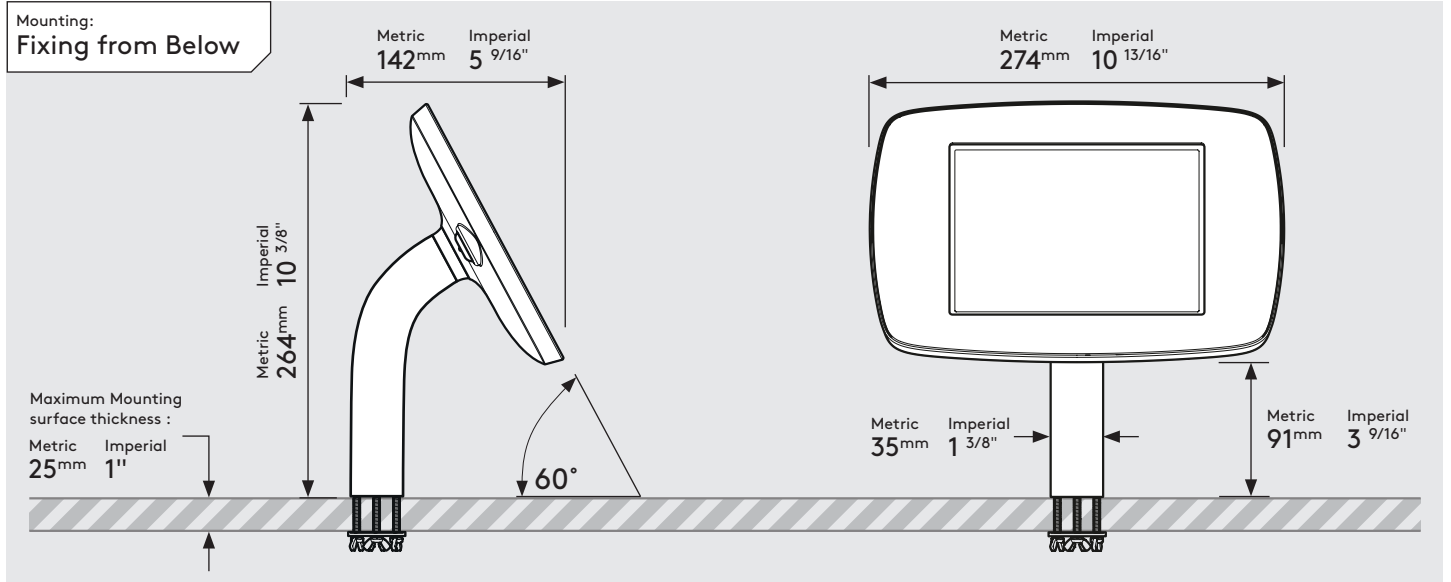


PRODUCT DATA SHEET - STATIC60 (MINI CASE)

bouncepad®

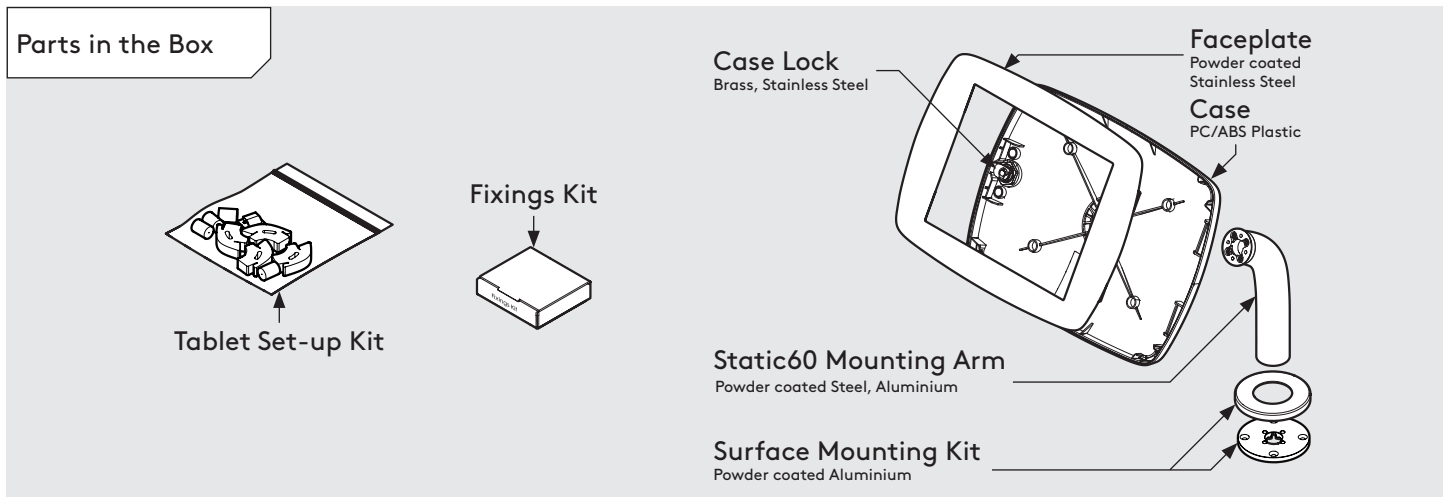
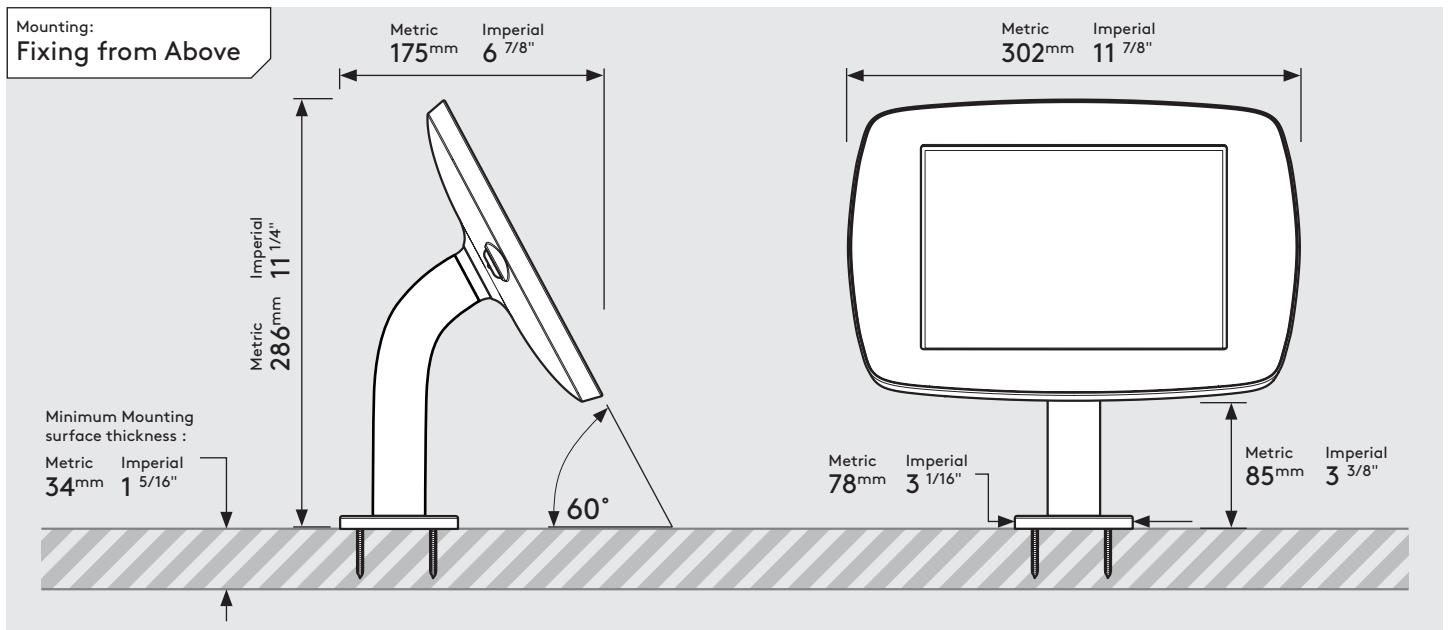
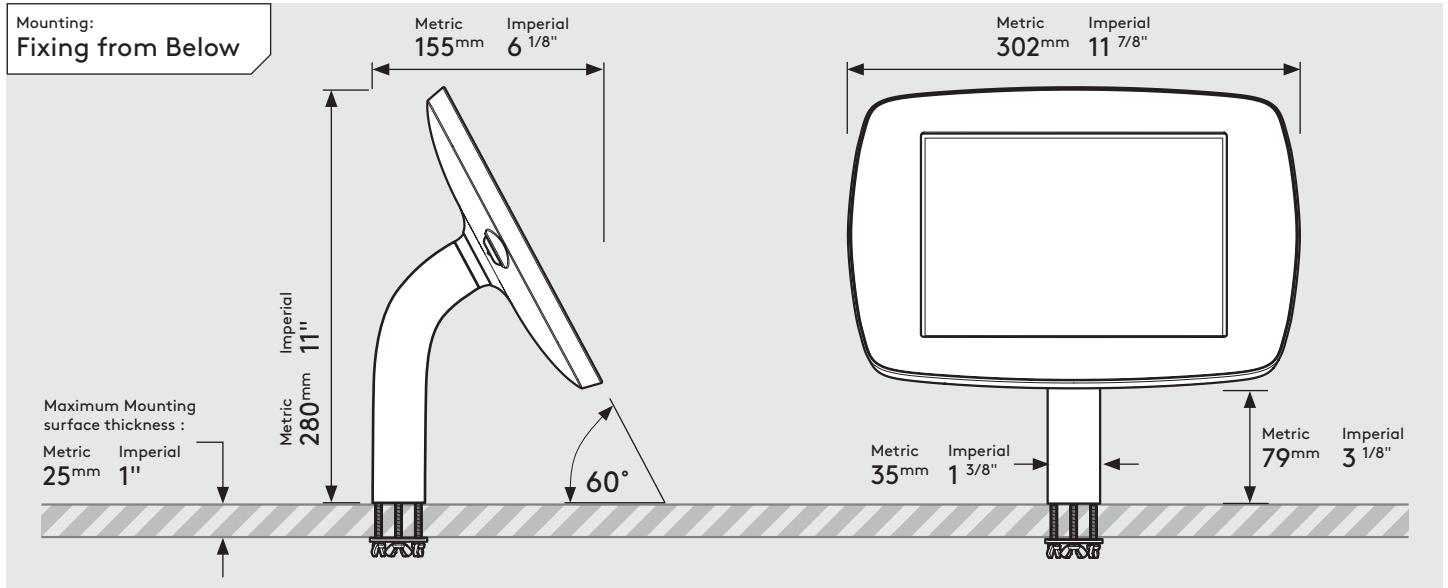
Case: Mini **Arm:** Static60 **Mounting:** Fixing from Below
 Fixing from Above **Packaged weight:** 1.71kg **Colour:** White
 Black



PRODUCT DATA SHEET - STATIC60 (MIDI CASE)

bouncepad[®]

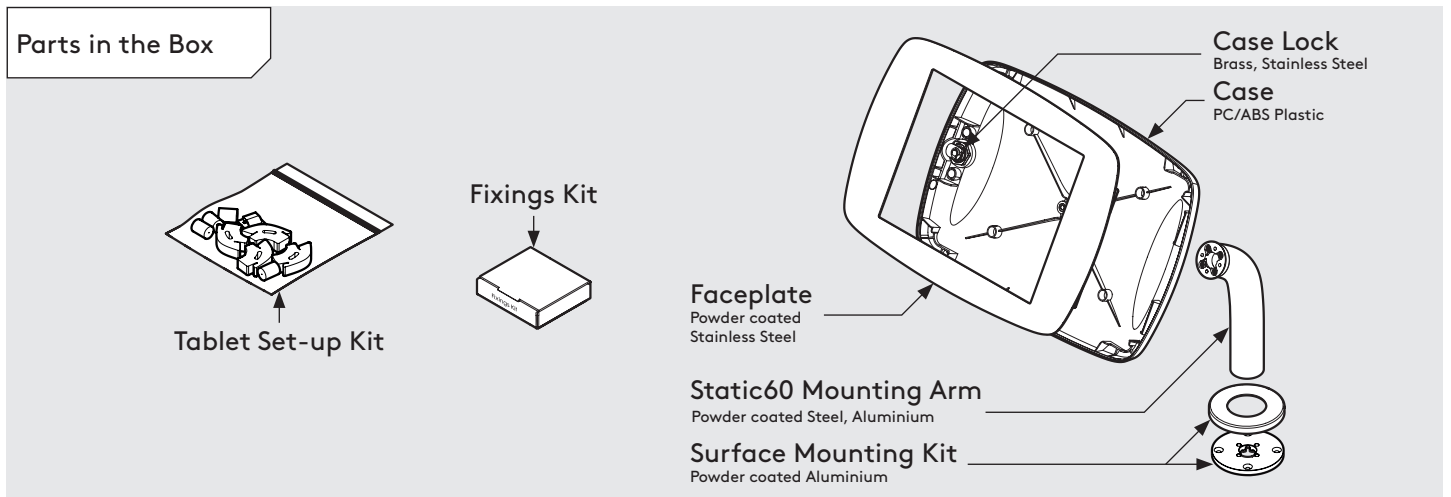
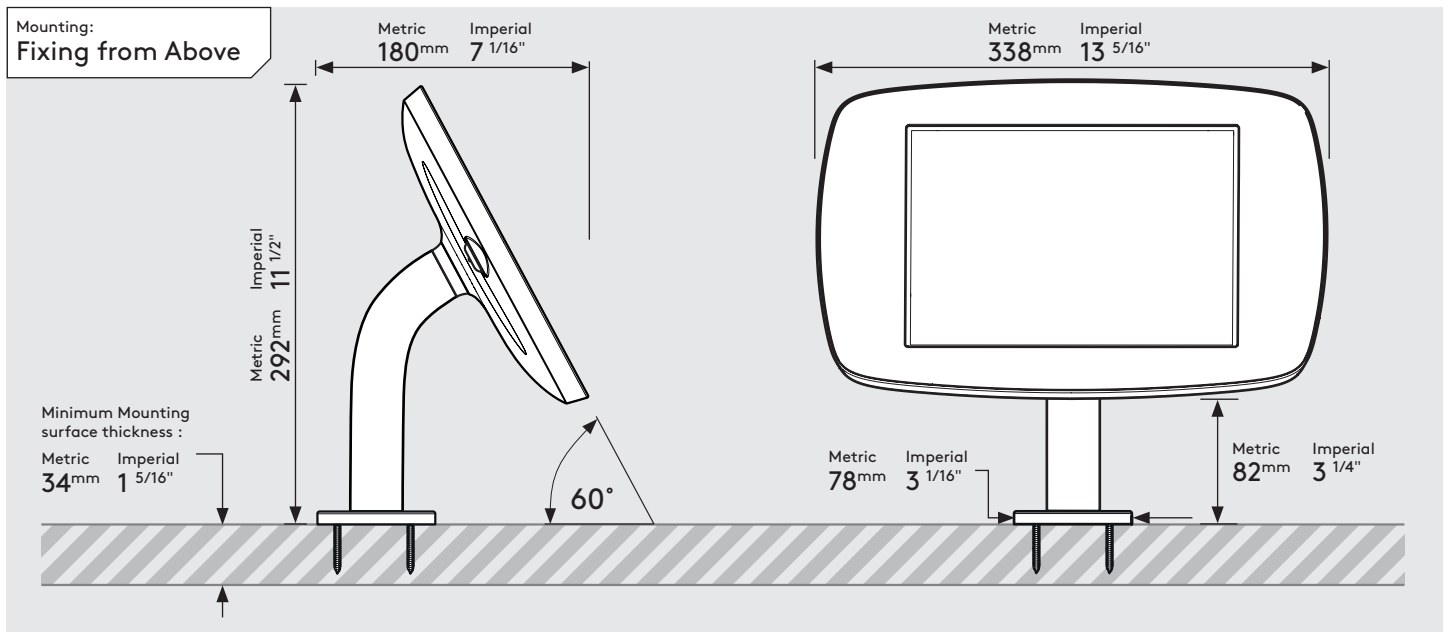
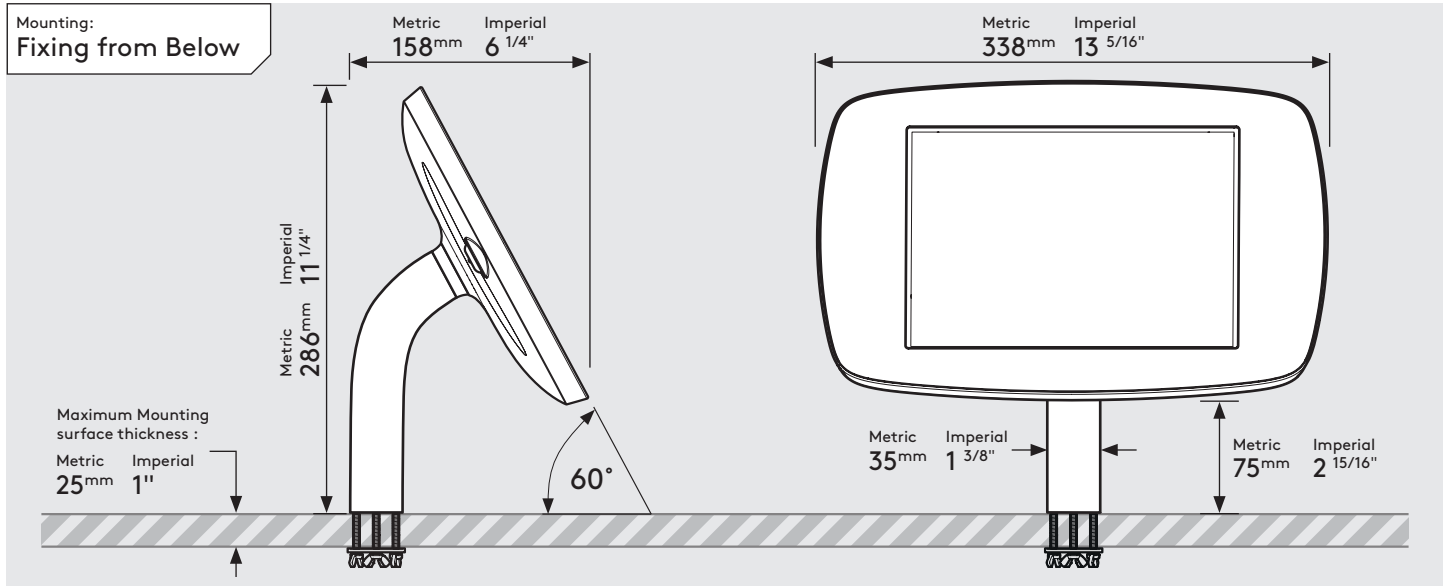
Case:	Arm:	Mounting:	Packaged weight:	Colour:
Midi	Static60	Fixing from Below	1.89kg	White Black
		Fixing from Above		



PRODUCT DATA SHEET - STATIC60 (MAXI CASE)

bouncepad[®]

Case:	Arm:	Mounting:	Packaged weight:	Colour:
Maxi	Static60	Fixing from Below	2.12kg	White Black
		Fixing from Above		



PRODUCT DATA SHEET - STATIC60 (MEGA CASE)

bouncepad®

Case: Mega **Arm:** Static60 **Mounting:** Fixing from Below
 Fixing from Above **Packaged weight:** 2.51kg **Colour:** White
 Black

