

## Static 60

### Assembly Instructions

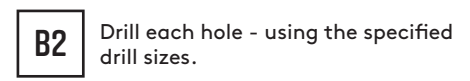
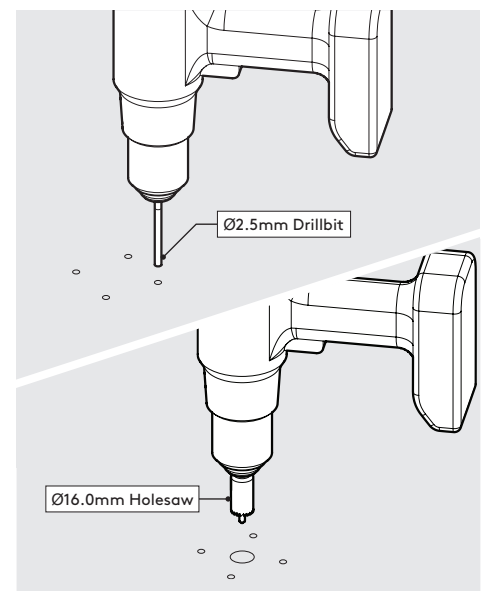
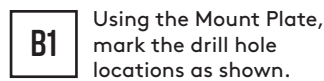
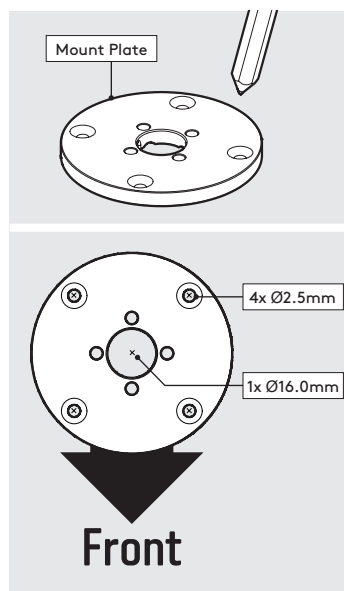
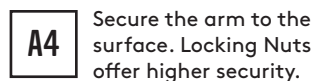
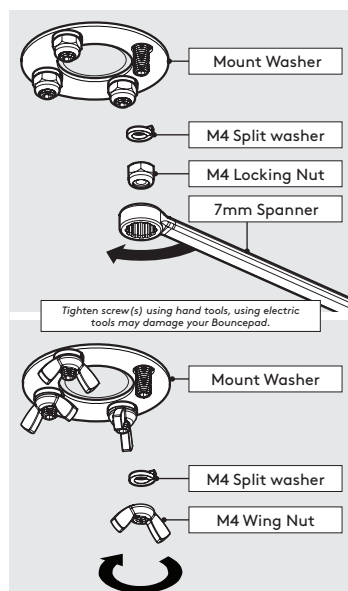
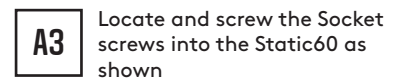
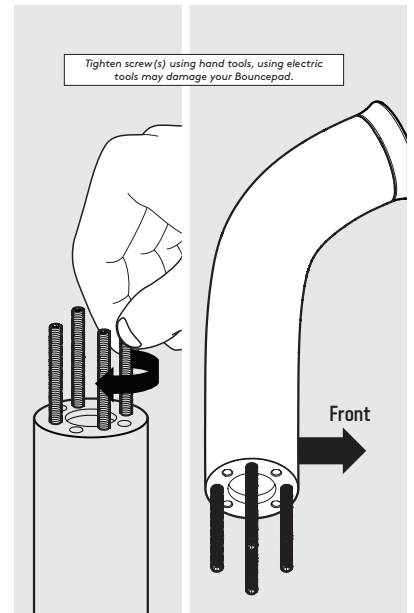
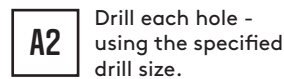
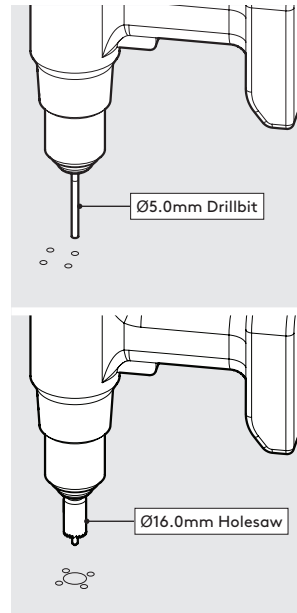
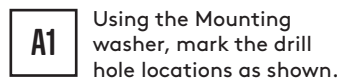
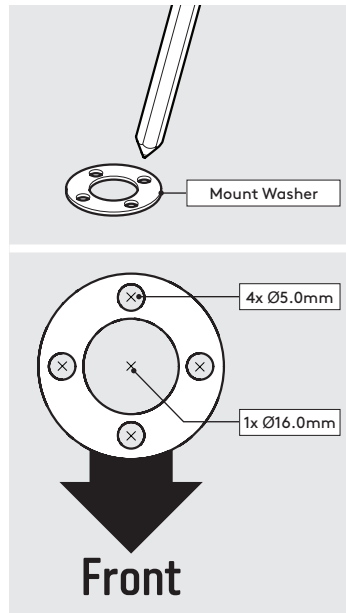
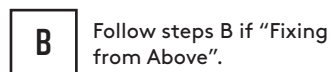
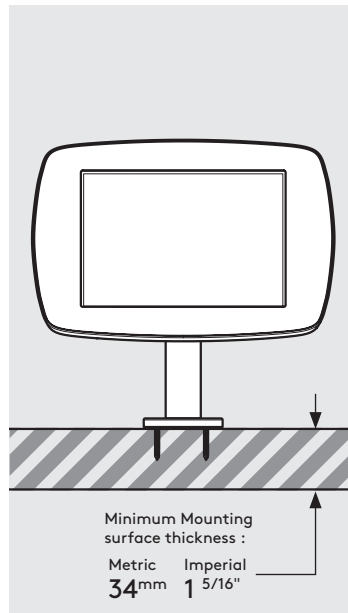
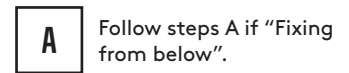
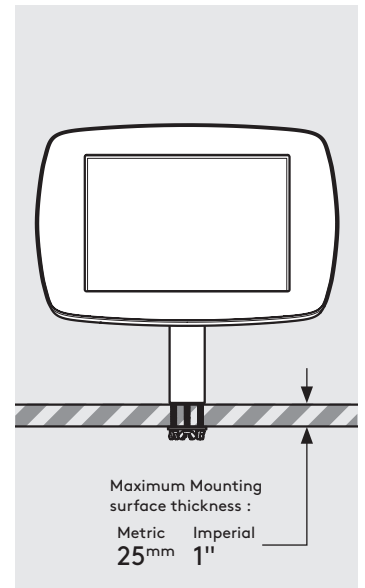
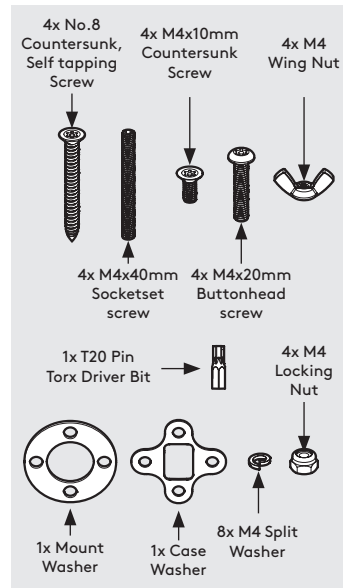
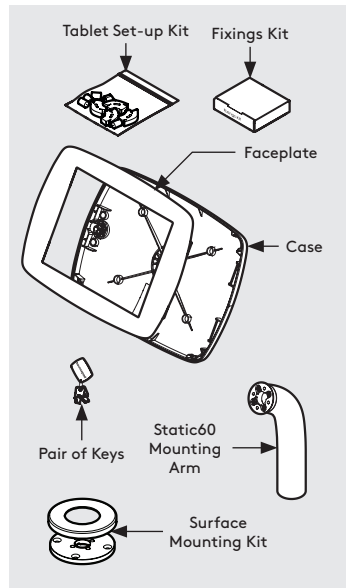
#### Tools Required:

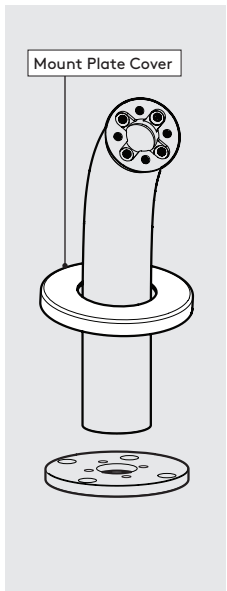
- Pencil
- Electric Drill
- 7mm Spanner *\*or adjustable spanner*
- 5.0mm Drillbit *\*if fixing from below*
- 2.5mm Drillbit *\*if fixing from above*
- 16mm Holesaw *\*if routing the tablet cable through your mounting surface*
- Socket Driver

Sheet Code: BP-IM-029\_REV2

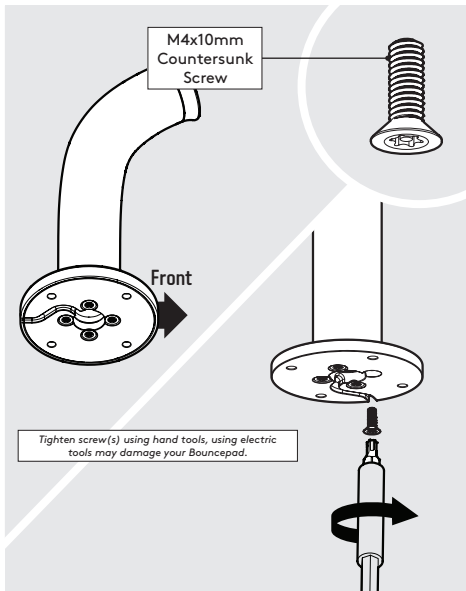
Release Date: 28/10/2019

Copyright 2016 Spotspot Ltd. (T/A Bouncepad) all rights reserved. Confidential, no part of this publication may be reproduced or transmitted in any form without the written permission of the copyright holder.





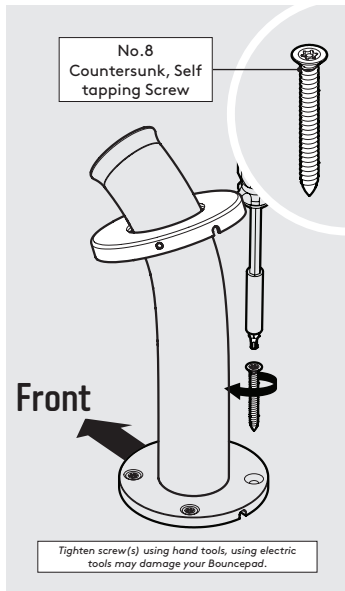
Mount Plate Cover



M4x10mm Countersunk Screw

Front

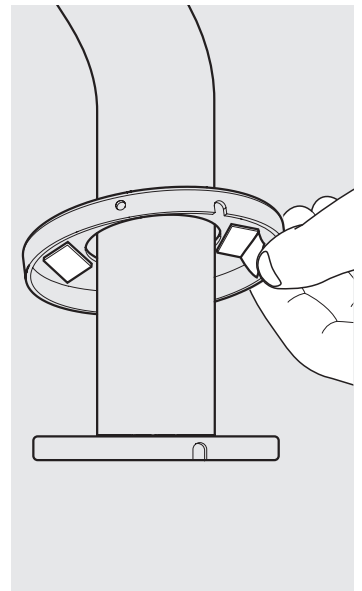
Tighten screw(s) using hand tools, using electric tools may damage your Bouncepad.



No.8 Countersunk, Self tapping Screw

Front

Tighten screw(s) using hand tools, using electric tools may damage your Bouncepad.



**B3**

Locate the Cover onto the Static60.

**B4**

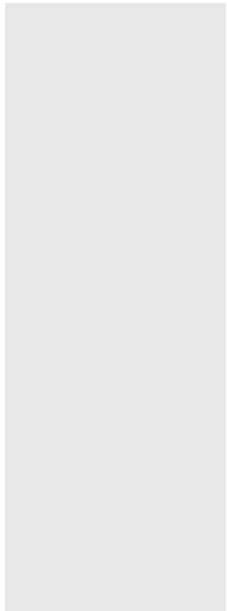
Join the Static60 & Mount Plate in the orientation shown.

**B5**

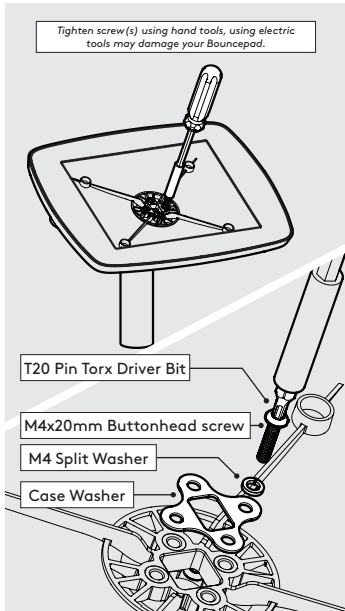
Secure the Static60 to the surface with the 4x countersunk fixings.

**B6**

Adhere the Mount Cover onto the Mount Plate with the adhesive tabs.



Tighten screw(s) using hand tools, using electric tools may damage your Bouncepad.

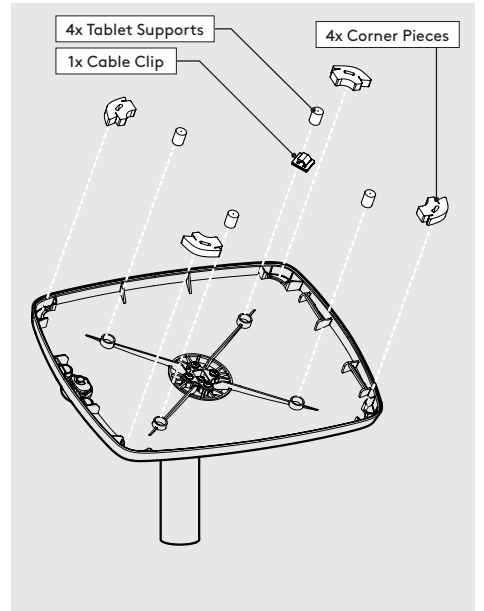


T20 Pin Torx Driver Bit

M4x20mm Buttonhead screw

M4 Split Washer

Case Washer



4x Tablet Supports

1x Cable Clip

4x Corner Pieces

**B7**

Go to step 1.

**1**

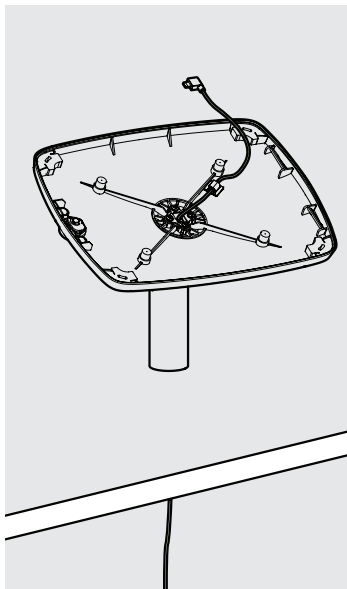
Locate and attach the Bouncepad Case to the Static60 as shown.

**2**

Unlock & remove the Faceplate from the Bouncepad Case.

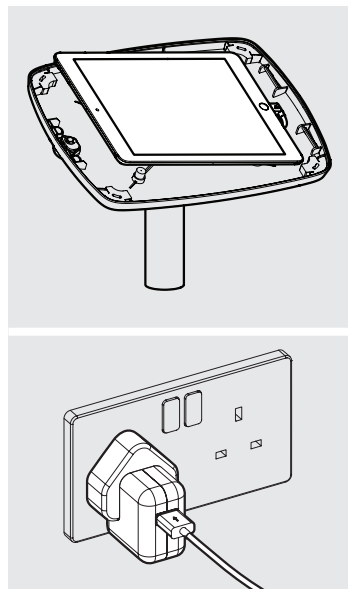
**3**

Install the Tablet Setup Kit. Each kit is specific per tablet device and Bouncepad Case.



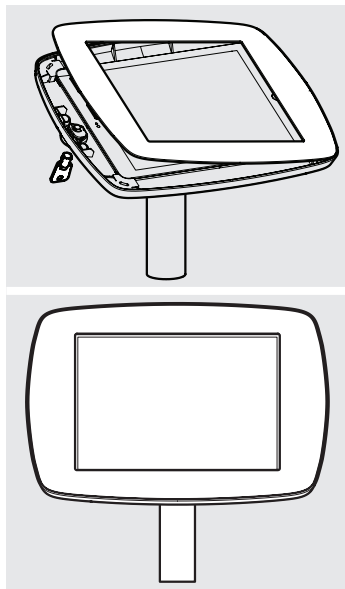
**4**

Feed the tablet cable through the Bouncepad Case & Static60.



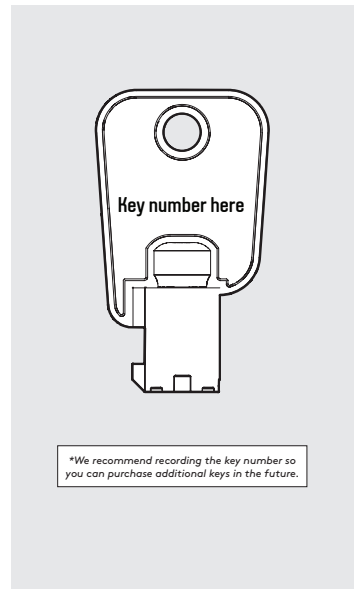
**5**

Place the tablet into the Case and connect to power.



**6**

Locate & lock the Faceplate onto the Bouncepad Case.



**7**

Installation is now complete.

\*We recommend recording the key number so you can purchase additional keys in the future.