

AXIS C1110-E Network Cabinet Speaker

Flexible speaker with great sound

Bringing together performance and design, this stylish network cabinet speaker offers digital signal processing for clear voice messages, and rich bass sound ensures great background music. It's built on an open platform, supporting integration with VMS, VoIP telephony, analytics, and more. The built-in microphone enables remote health testing and 2-way communication with echo cancellation. AXIS Audio Manager Edge software comes preinstalled for easy management of users, content, zones, and scheduling. This all-in-one speaker system connects to the standard network using a single cable for power (PoE) and connectivity, and the easy-click mounting bracket supports installations on walls, ceilings, and poles.

- > **Stylish, flexible all-in-one speaker**
- > **Connects to the standard network**
- > **Easy installation with PoE**
- > **2-way audio with echo cancellation**
- > **Remote health testing**



AXIS C1110-E Network Cabinet Speaker

Audio hardware

Enclosure	Two-way bass-reflex type Speaker components: 4-inch dynamic cone speaker, 1.25-inch dome tweeter
Max sound pressure level	96 dB
Frequency response	60 Hz - 20 kHz
Coverage pattern	Horizontal speaker coverage 140° Vertical speaker coverage 90°
Audio input/output	Built-in microphone (can be disabled)
Built-in microphone specification	50 Hz - 12 kHz
Amplifier description	Built-in 7 W Class D amplifier
Digital signal processing	Built-in and pre-configured

Audio management

AXIS Audio Manager Edge	Built in: <ul style="list-style-type: none"> - Content management for music and live/pre-recorded announcements. - Scheduling to decide when and where to play specific content. - Content prioritization to ensure urgent messages interrupt the schedule. - Zone management allowing you to divide up to 200 speakers into 20 zones. - Health monitoring for remote discovery of system errors. - User management to control who has access to what features. See separate datasheet for more details.
AXIS Audio Manager Pro	For larger and more advanced systems. Sold separately. See separate datasheet for specifications.
AXIS Audio Manager Center	AXIS Audio Manager Center is a cloud service for remote access and management of multi-site systems.

Audio software

Audio streaming	One-way/two-way with optional full-duplex echo cancellation. Mono.
Audio encoding	AAC LC 8/16/32/48 kHz, G.711 PCM 8 kHz, G.726 ADPCM 8 kHz, Axis μ -law 16 kHz, WAV, MP3 in mono/stereo from 64 kbps to 320 kbps. Constant and variable bit rate. Sampling rate from 8 kHz up to 48 kHz.

System on chip (SoC)

Model	NXP i.MX 8M Nano
Memory	1024 MB RAM, 1024 MB Flash

Network

Network protocols	IPv4/v6 ³ , HTTP, HTTPS, SSL/TLS, QoS Layer 3 DiffServ, FTP, SFTP, CIFS/SMB, SMTP, Bonjour, UPnP™, SNMP v1/v2c/v3 (MIB-II), DNS, DynDNS, NTP, RTSP, RTP, TCP, UDP, IGMPv1/v2/v3, RTCP, ICMP, DHCP, ARP, SOCKS, SSH, NTCIP, SIP (Cisco, Avaya, Asterisk)
--------------------------	--

System integration

Application Programming Interface	Open API for software integration, including VAPIX®. One-click cloud connection, AXIS Camera Application Platform (ACAP).
VoIP	Support for Session Initiation Protocol (SIP) for integration with Voice over IP (VoIP) systems. Peer to peer or integrated with SIP/PBX. Tested with: SIP client such as Cisco, Bria and Grandstream and PBX suppliers such as Cisco and Asterisk. Supported SIP features: secondary SIP server, IPv6, SRTP, SIPS, SIP TLS, DTMF (RFC2976 and RFC2833), NAT (ICE, STUN, TURN) Supported codecs: PCMU, PCMA, opus, L16/16000, L16/8000, speex/8000, speex/16000, G.726-32
Health monitoring	Auto Speaker Test (verification via built-in microphone)
Event conditions	Application

Audio: audio clip playing, speaker test result
 Call: state, state change
 Device status: IP address blocked, IP address removed, live stream active, network lost, new IP address, ring power overcurrent protection, system ready
 Edge storage: recording ongoing, storage disruption, storage health issues detected
 I/O: digital input is active, manual trigger, virtual input is active
 Scheduled and recurring: schedule

Event actions	Audio: run automatic speaker test Audio clips: play, play while the rule is active, stop playing I/O: toggle I/O once, toggle I/O while the rule is active Light and siren: run light profile, run light profile while the rule is active, stop activities MQTT: send MQTT publish message Notifications: HTTP, HTTPS, TCP and email Recordings: record audio, record audio while the rule is active SNMP traps: send message, send message while the rule is active Status LED: flash, flash while the rule is active
----------------------	--

Built-in installation aids	Test tone verification and identification
-----------------------------------	---

Approvals

EMC	CISPR 24, CISPR 35, CISPR 32 Class B, EN 55024, EN 55035, EN 55032 Class B, EN 61000-6-1, EN 61000-6-2, EN 61000-6-3, EN 61000-6-4 Australia/New Zealand: RCM AS/NZS CISPR 32 Class B Canada: ICES-3(B)/NMB-3(B) Japan: VCCI Class B Korea: KS C 9835, KS C 9832 Class B USA: FCC Part 15 Subpart B Class B
------------	---

Safety	CAN/CSA C22.2 No. 62368-1, CAN/CSA-C22.2 No. 60950-22, IEC/EN/UL 62368-1, IEC/EN/UL 60950-22, KC-Mark
---------------	---

Environment	IEC 60068-2-1, IEC 60068-2-2, IEC 60068-2-6, IEC 60068-2-14, IEC 60068-2-27, IEC 60068-2-78, IEC/EN 60529 IP44 ^b , Nema 250 3R
--------------------	---

Cybersecurity	ETSI EN 303 645
----------------------	-----------------

Cybersecurity

Edge security	Software: Signed firmware, brute force delay protection, digest authentication and OAuth 2.0 RFC6749 OpenID Authorization Code Flow for centralized ADFS account management, password protection, AES-XTS-Plain64 256bit SD card encryption Hardware: Axis Edge Vault cybersecurity platform Secure element (CC EAL 6+), Axis device ID, secure keystore, secure boot
----------------------	---

Network security	IEEE 802.1X (EAP-TLS, PEAP-MSCHAPv2), IEEE 802.1AR, HTTPS/HSTS, TLS v1.2/v1.3, Network Time Security (NTS), X.509 Certificate PKI, host-based firewall
-------------------------	--

Documentation	<i>AXIS OS Hardening Guide</i> <i>Axis Vulnerability Management Policy</i> <i>Axis Security Development Model</i> AXIS OS Software Bill of Material (SBOM) To download documents, go to axis.com/support/cybersecurity/resources To read more about Axis cybersecurity support, go to axis.com/cybersecurity
----------------------	---

Sustainability

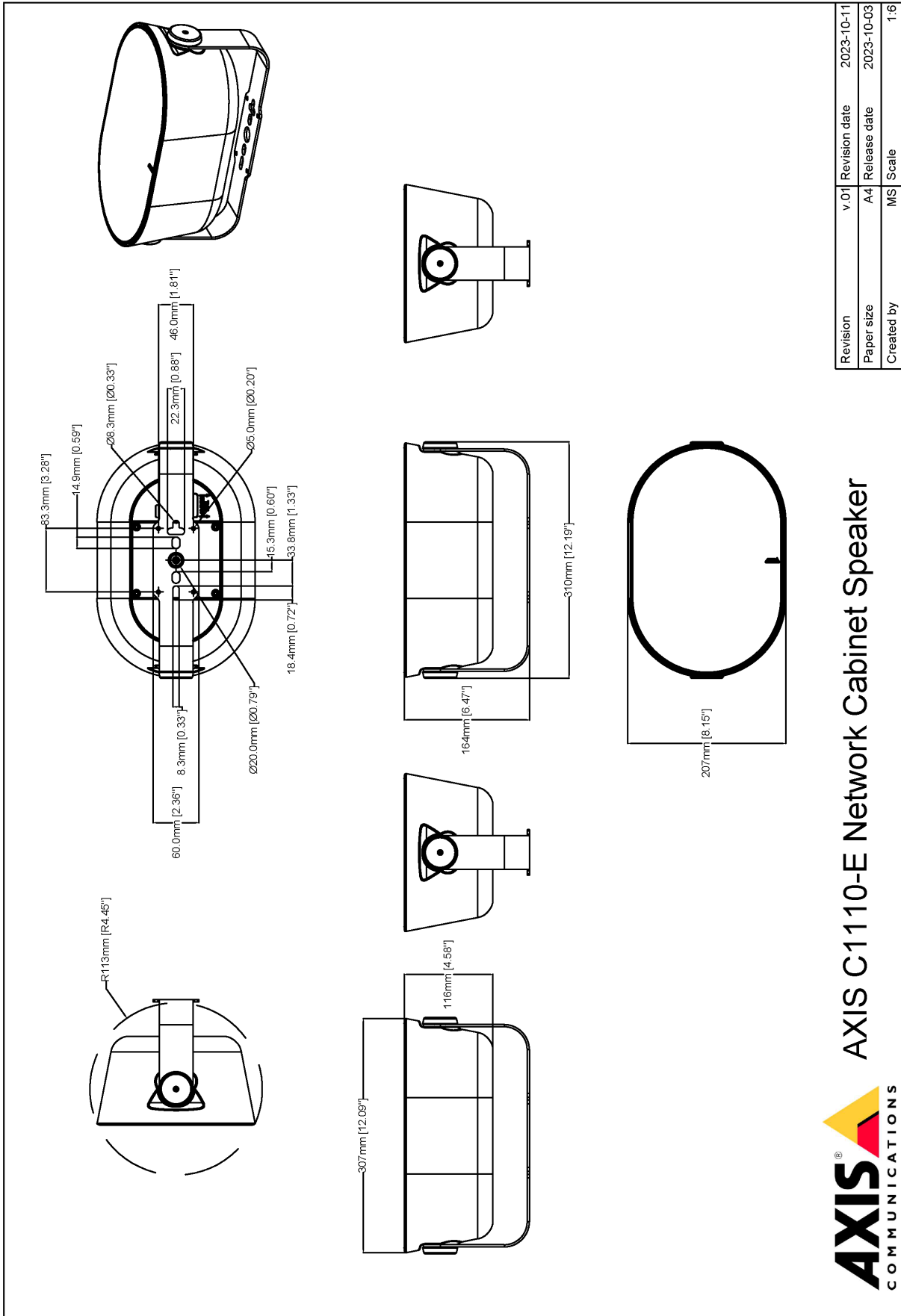
Substance control	PVC free, BFR/CFR free in accordance with JEDEC/ECA Standard JS709 RoHS in accordance with EU RoHS Directive 2011/65/EU and EN 63000:2018 REACH in accordance with (EC) No 1907/2006. For SCIP UUID, see echa.europa.eu
--------------------------	--

Materials	Renewable carbon-based plastic content: 51% (recycled: 0%, bio-based: 51%, carbon capture based: 0%) Screened for conflict minerals in accordance with OECD guidelines To read more about sustainability at Axis, go to axis.com/about-axis/sustainability
------------------	---

Environmental responsibility	axis.com/environmental-responsibility Axis Communications is a signatory of the UN Global Compact, read more at unglobalcompact.org
General	
Casing	Aluminium casing, IP44 rated Colors: white, black For repainting instructions, go to axis.com/products/axis-c1110-e/support For information about the impact on warranty, go to axis.com/warranty-implication-when-repainting .
Power	Power over Ethernet (PoE) IEEE 802.3af/802.3at Type 1 Class 3 (max 12.95 W)
Connectors	RJ45 10BASE-T/100BASE-TX PoE I/O: 4-pin 2.5 mm terminal block for 2x supervised configurable I/Os
LED indicators	Status LED, configurable front-facing RGB LED
Storage	Support for microSD/microSDHC/microSDXC card
Reliability	Designed for 24/7 operation.
Operating conditions	-30 °C to 50 °C (-22 °F to 122 °F) Humidity 10–100% RH (condensing)
Storage conditions	-40 °C to 65 °C (-40 °F to 149 °F) Humidity 5–95% RH (non-condensing)

Dimensions	Height: 207 mm (8.15 in) Width: 310 mm (12.2 in) Length: 165 mm (6.50 in)
Weight	4100 g (9.04 lbs)
Box content	Speaker, installation guide, terminal block connector, connector guard, cable gaskets, owner authentication key
Optional accessories	AXIS C8310 Volume Controller, AXIS Surveillance Cards For more accessories, see axis.com
System tools	AXIS Site Designer, AXIS Device Manager, product selector, accessory selector, lens calculator Available at axis.com
Video management software	AXIS Companion, AXIS Camera Station, video management software from Axis' Application Development Partners available on axis.com/techsup/software
Languages	English, German, French, Spanish, Italian, Russian, Simplified Chinese, Japanese, Korean, Portuguese, Polish, Traditional Chinese, Dutch, Czech, Swedish, Finnish, Turkish, Thai, Vietnamese
Warranty	5-year warranty, see axis.com/warranty

- a. *Audio synchronization with IPv4 only.*
- b. *If installed according to the installation guide.*



Revision	v.01	Revision date	2023-10-11
Paper size	A4	Release date	2023-10-03
Created by	MS	Scale	1:6

© 2023 Axis Communications

AXIS COMMUNICATIONS **AXIS C1110-E Network Cabinet Speaker**

www.axis.com