

FL-200 FLOOR BOX FAMILY

FSR

Metal Products Group

FL-200



**Scrub water approved for
carpet, tile, and wood floors!**

DESCRIPTION

The new FL-200 pour-in-place floor box series is designed to provide a smaller box option for those installations that do not require the additional internal space available in the larger FL-500P and FL-600P boxes.

The FL-200 Series consists of 2 box designs. The 3" back box has 2 single gang compartments of different volumes and is a perfect 2 trade box. The compartments are independent of one another so that the smaller compartment can be used for high voltage while the larger one is used for low voltage connections.

The 4" back box has a single Decora opening for data or power connections on one side and on the other side there are two different internal brackets available. It ships with a bracket that mounts standard size electrical plates that accommodate a 2 gang plate or can be split into 2 single gang openings with isolation. The second bracket, the MMS-FL200-4, ordered separately, has a 2 gang opening for mounting modified digital media devices (Crestron/AMX) that require more room behind the plate.

There are six $\frac{3}{4}$ "-1" concentric knockouts and four $\frac{3}{4}$ " knockouts on the FL-200-3 box. There are six $\frac{3}{4}$ "-1"-1 $\frac{1}{4}$ " concentric knockouts and four $\frac{3}{4}$ " knockouts on the FL-200-4 box.

The FL-200 Series covers are designed to match those on the FL-500P and FL-600P Series floor boxes. This provides visual continuity in installations where FL-200's are installed along with FL-500P's and FL-600P's. The covers meet UL scrub water requirements for tile and carpet installations and feature easy tool free access as well as a fold down cable exit door which allows the cover to be closed with cables exiting the box.

All FSR floor boxes are designed and manufactured in the United States using strong and dependable steel. This provides a durable floor box that stands up to the rigors of a floor environment.

FEATURES

- 3" and 4" Deep Back Boxes
- 3" Back Box has 2 single gang Decora compartments
- 4" Back Box accommodates extra deep devices from Hubbell, Crestron, AMX and others with use of MMS-FL200-4 Bracket
- Large Variety of covers to choose from
- UL Tile and Carpet Scrub Water Rating
- Made in the USA
- All steel construction
- Maximum static load for U-Access cover with 1/4" trim is 1,700 lbs.

All FSR Table, Floor, Wall and Ceiling Box CAD drawings and BIM objects are available on our website. For assistance in selecting the proper box to hold your power, data, voice, video, etc., please call us at 1-800-332-FSR1 (3771).

A complete BIM Object Library of all our products is on the ARCAT website (www.ARCAT.com) and is also available embedded in MasterSpec and software.

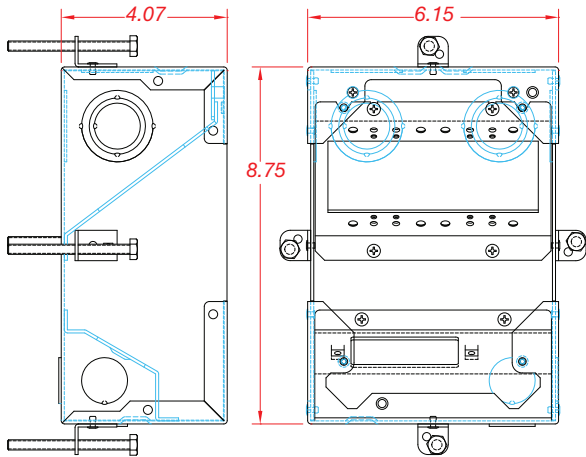
FSR Inc.

244 Bergen Boulevard, Woodland Park, NJ 07424
Phone: 973.998.2300 · Fax: 973.785.4207
Web: www.fsrinc.com · E-mail: sales@fsrinc.com
Toll Free: 1-800-332-FSR1

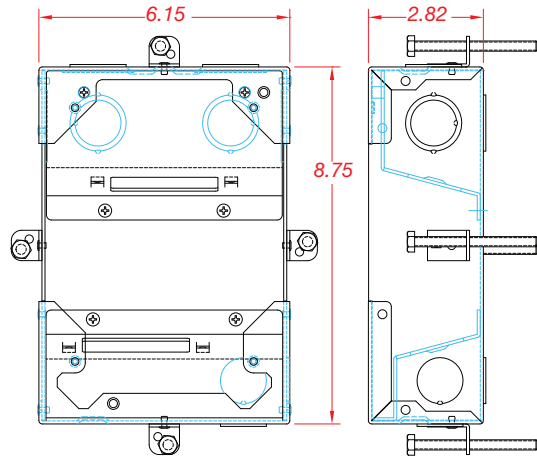
LIT1555H

FL-200 BACK BOX DETAILS

4"-DEEP BOX



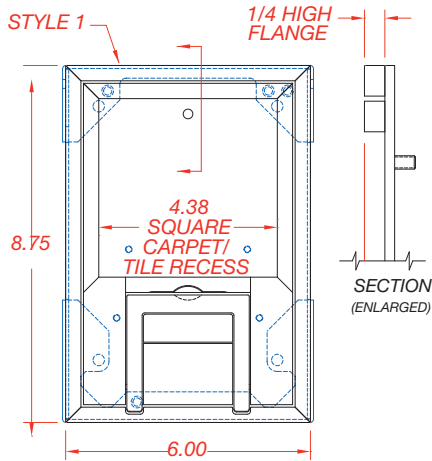
3"-DEEP BOX



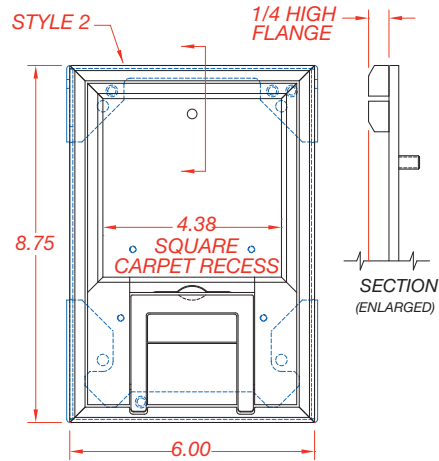
There are six 3/4"-1" concentric knock-outs and four 3/4" knockouts on the FL-200-3 box. There are six 3/4"-1"-1/4" concentric knockouts and four 3/4" knockouts on the FL-200-4 box.

FL-200 COVER DETAILS

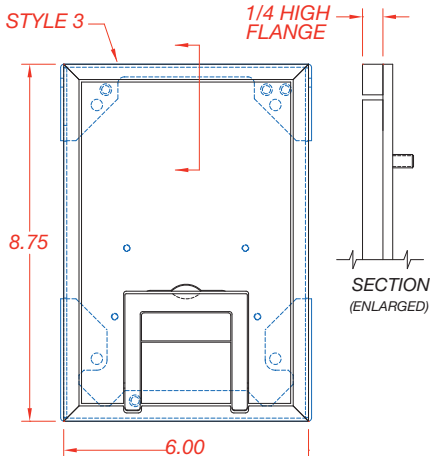
1/4" SQUARED FLANGE FOR CARPET OR TILE



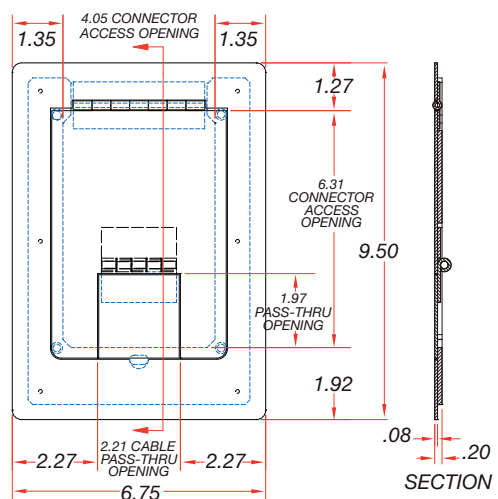
1/4" BEVELED FLANGE FOR CARPET



SOLID COVER, NO LARGE DOOR RECESS**



PAINTED COVER, WITH NO FLANGE

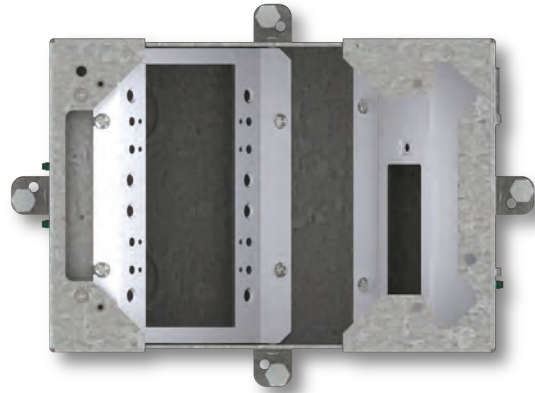
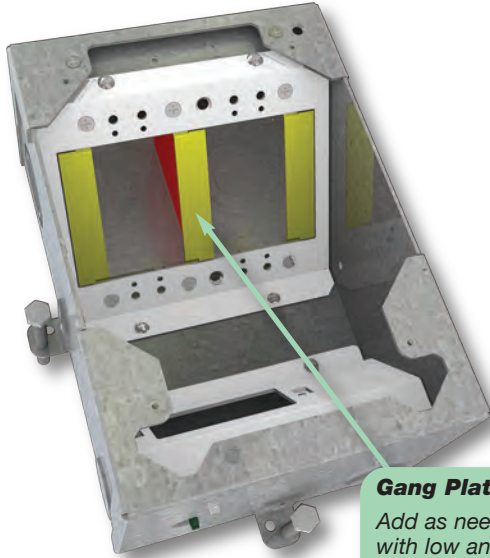


**Note: Cover Shim Kit (FL-200-CSK) may be required to set the height of box "Pre-Pour" so the top of Finish Cover matches top of finished floor.

FL-200 4" DEEP BACK BOX INTERNAL BRACKET ARRANGEMENT

No Bracket

4" Box Shown with no dividers in place

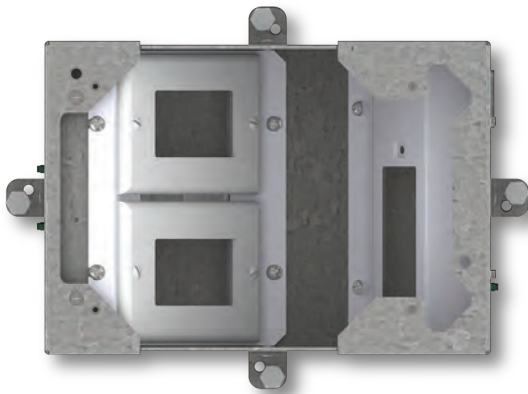


Gang Plate & Compartment Dividers

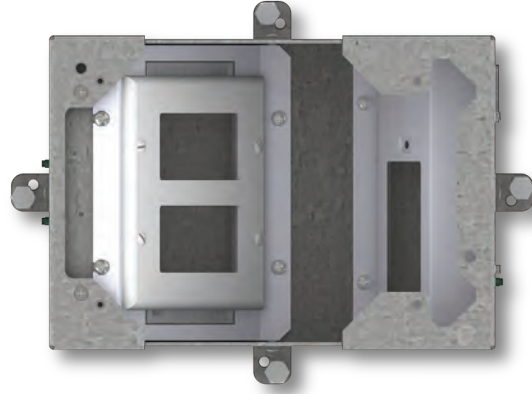
Add as needed to for single gang arrangement with low and high voltage connections

WARNING: Must be used when line voltage wiring is present

Two 1-Gang Plate Configuration



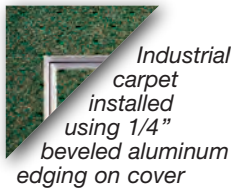
2-Gang Plate Configuration



COVER OPTIONS



Wood floor installation using 1/2" brass edging on cover



Industrial carpet installed using 1/4" beveled aluminum edging on cover



Thick carpet installation using 1/2" brass edging on cover



Ceramic tile installed using 1/2" aluminum edging on cover



1/4" painted edging with industrial carpet

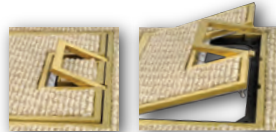


1/4" solid cover in anodized aluminum or painted gray, clay or black



Available in brass, aluminum or painted edging to compliment floor covering.

Not all cover color options are pictured. See the ordering table for additional options.



The new U-Access cover design features a handle to easily lift the cover. All corner fasteners have been removed.

See a larger view at bit.ly/1aKZzT6 or scan this QR Code



The FL-200-PTxx series covers are a painted hinged cover with no flange and are available in black, silver and brass.



4" round cover kit also available. See LIT1630 for FL-200-SF4-C details.

ORDERING INFORMATION

Floor Box Covers and box bottom ordering information

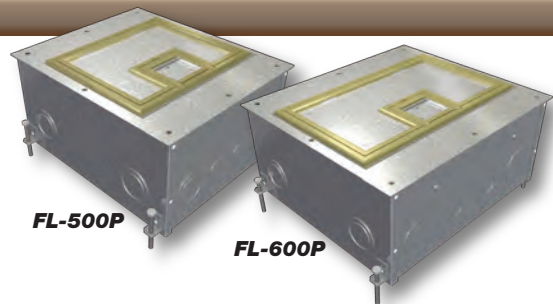
FL-200 – Requires ordering Cover and box bottom separately

Part #	Description	
U-Access Covers - UL Scrub Water Rated for Tile and Carpet Installations		
FL-200-B-C U-Access	FL-200 Cover With 1/2" Brass Square Flange (Lift off door)	
FL-200-BLP-C U-Access	FL-200 Cover With 1/4" Brass Beveled Flange (Lift off door) *Max Static Load 1,700 lbs.	
FL-200-BSQ-C U-Access	FL-200 Cover With 1/4" Brass Square Flange (Lift off door) *Max Static Load 1,700 lbs.	
FL-200-S-C U-Access	FL-200 Cover With 1/2" Aluminum Square Flange (Lift off door)	
FL-200-SLP-C U-Access	FL-200 Cover With 1/4" Aluminum Beveled Flange (Lift off door) *Max Static Load 1,700 lbs.	
FL-200-SSQ-C U-Access	FL-200 Cover With 1/4" Aluminum Square Flange (Lift off door) *Max Static Load 1,700 lbs.	
FL-200-PLP-GRY-C U-Access	FL-200 Cover with 1/4" Painted Beveled Flange - Gray (Lift off door) *Max Static Load 1,700 lbs.	
FL-200-PLP-CLY-C U-Access	FL-200 Cover with 1/4" Painted Beveled Flange - Clay (Lift off door) *Max Static Load 1,700 lbs.	
FL-200-PLP-BLK-C U-Access	FL-200 Cover with 1/4" Painted Beveled Flange - Black (Lift off door) *Max Static Load 1,700 lbs.	
U-Access Covers - UL Scrub Water Rated - No Carpet Trim**		
FL-200-SLD-ALU-C U-Access**	FL-200 Solid Cover w/ Cable Exit (No Flange) - Aluminum	**Shim kit may be required.
FL-200-SLD-BLK-C U-Access**	FL-200 Solid Cover w/ Cable Exit (No Flange) - Black	
FL-200-SLD-CLY-C U-Access**	FL-200 Solid Cover w/ Cable Exit (No Flange) - Clay	
FL-200-SLD-GRY-C U-Access**	FL-200 Solid Cover w/ Cable Exit (No Flange) - Gray	
Covers		
FL-200-PTBLK	Cover Only - Black Painted Hinged No Flange	
FL-200-PTSLV	Cover Only - Silver Painted Hinged No Flange	
FL-200-PTBRS	Cover Only - Brass Painted Hinged No Flange	
Box Bottom - UL Listed - Includes Steel Construction Cover		
FL-200-3	FL-200 box bottom - 3" Deep 2 x 1-Gang Areas	
FL-200-4	FL-200 box bottom - 4" Deep	
Optional Manufacturers Specific Mounting Brackets		
MMS-FL200-4	Crestron DM-TX-200-C-2G Wallplate Mounting Bracket w/Blank Plate (4" deep box only)	
Accessories		
FL-GRD200	2" Grade Mounting Kit for FL-200 Floor Box	
FL-200-CSK	Temporary and Final Cover Shim Kit	
FL-200-4S45	45mm International Front AC Bracket Single Outlet for FL-200-4 Box	Outlet(s) not provided.
FL-200-4D45	45mm International Front AC Bracket Dual Outlet for FL-200-4 Box	
FL-200-3S45	45mm International Front AC Bracket Dual for FL-200-3 Box	

LARGER SIZE FLOOR BOXES

OUR STANDARD SIZE FL-SERIES FLOOR BOXES ARE ALSO AVAILABLE

- NEW "Tool-Less" Cover Design!!
- 11-gauge steel temporary construction cover included
- 11-gauge finished steel cover with choice of carpet edging
- Mitered brass or aluminum carpet edging .5" or .25" high
- Lift-off full access door



FIRE-RESISTANT FLOOR BOXES



FSR also offers a line of larger Fire-Resistant floor boxes.

Our FL-500P-6-FRK and FL-605P-6-FRK floor solutions expand the versatility of our floor box line by providing enhanced, fire-resistant versions of our existing products. Our FRK kits are UL listed and comply with UL 263 Fire Resistance Ratings.

See Lit 1458 FR Brochure for details.



Specifications are subject to change without notice.

FSR

244 Bergen Boulevard, Woodland Park, NJ 07424

Phone: 973.998.2300 · Fax: 973.785.4207

Web: www.fsrinc.com · E-mail: sales@fsrinc.com