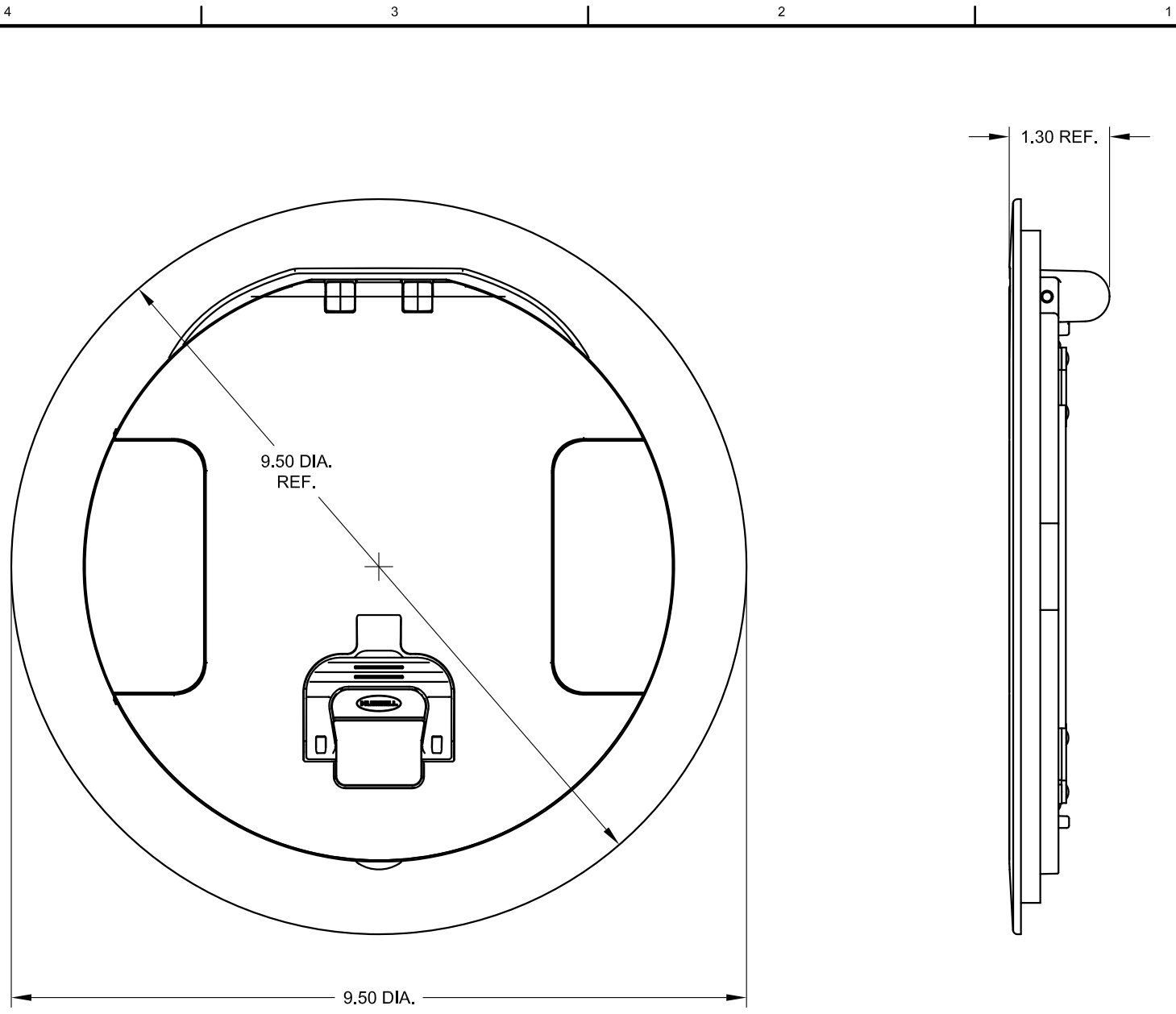


SF8-CPT-JNC2-ALM  
SF8-CPT-JNC2-BLK  
SF8-CPT-JNC2-BRS

**FSR inc.**  
244 BERGEN BLVD.  
WOODLAND PARK, NJ 07424  
TEL (973) 785-4347  
FAX (973) 785-3318

TITLE: SF8-CPT-JNC2 W/COVER & 2 AC SUB-PLATES		
DRAWN BY: JRE	DATE: 08/10/12	REV: -
DWG#: SF8-CPT-JNC2	PAGE: 1 OF 3	SCALE: -



<b>FSR inc.</b> <small>244 BERGEN BLVD.          WOODLAND PARK, NJ 07424          TEL (973) 785-4347          FAX (973) 785-3318</small>	<b>TITLE:</b> SF8-CPT-JNC2 W/COVER & 2 AC SUB-PLATES		
	<b>DRAWN BY:</b> JRE	<b>DATE:</b> 08/10/12	<b>REV:</b> -
	<b>DWG#:</b> SF8-CPT-JNC2	<b>PAGE:</b> 2 OF 3	<b>SCALE:</b> -

4

3

2

1

C

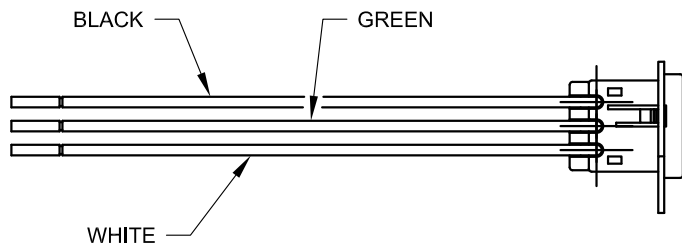
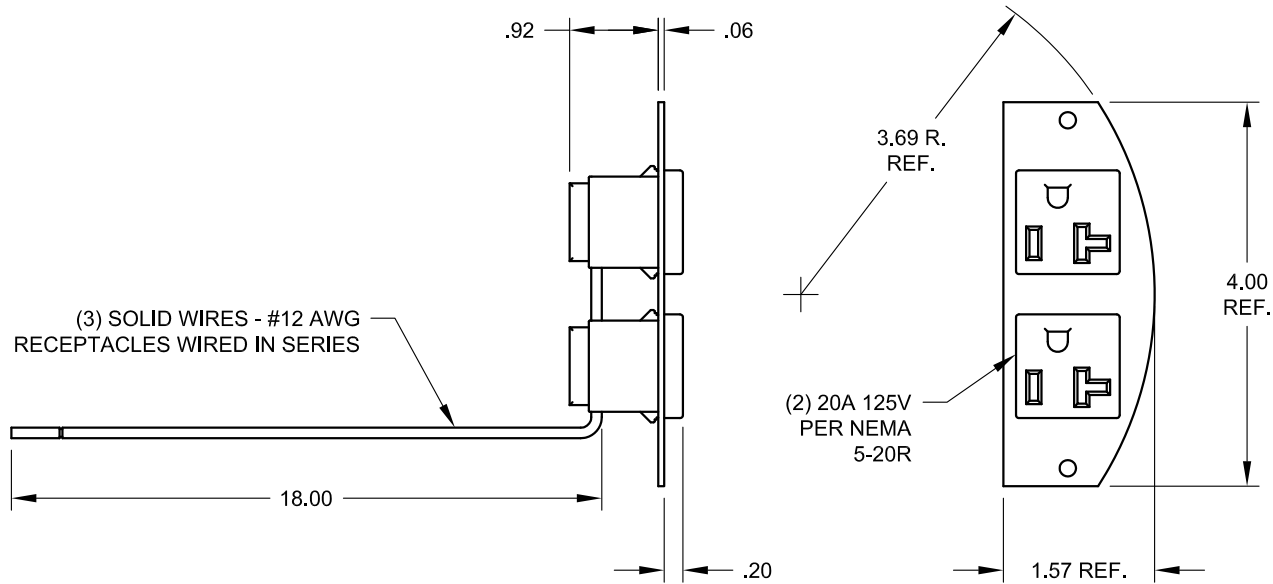
C

B

B

A

A



<b>FSR inc.</b> <small>244 BERGEN BLVD.          WOODLAND PARK, NJ 07424          TEL. (973) 785-4347          FAX (973) 785-3318</small>	TITLE: SF8-CPT-JNC2		
	W/COVER & 2 AC SUB-PLATES		
	DRAWN BY: JRE	DATE: 08/10/12	REV: -
	DWG#: SF8-CPT-JNC2	PAGE: 3 OF 3	SCALE: -

4

3

2

1