

MM-CLCKAUD

Table Microphone Box

FSR

Metal Products Group

MM-CLCKAUD



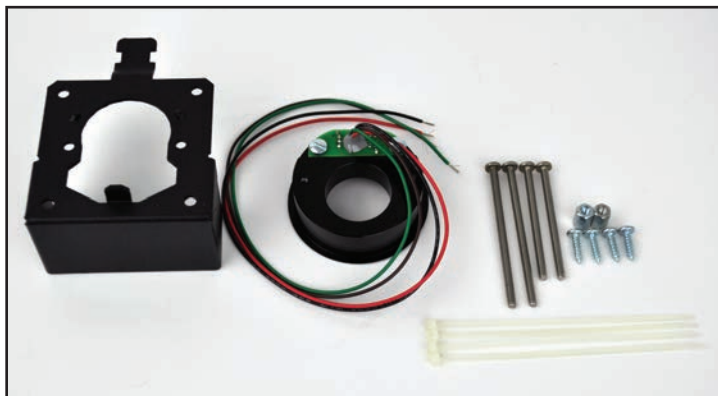
Microphone not included.

Shown with Clockaudio™ C 003E-RF Microphone

DESCRIPTION

The MM-CLCKAUD-BLK is an elegant, low profile surface mount for most “Thru-table” boundary type microphones. The MM-CLCK includes a bi-color LED and SPST Switch to add status and muting/control functions to the microphone installation.

This attractive mount easily mounts into a 2” diameter hole in 3/4” to 3” thick table surfaces and can be installed in a table, wall, or ceiling panel. The unit is black anodized finished to complement most decors.



Actual parts included

APPLICATIONS

- Conference Rooms
- Lecterns and Podiums
- Altars
- Courtrooms
- Stages

FEATURES

- Adds Bi-color LED inputs and switch output capability provided on pigtail leads for status and remote control or use with automatic mixers
- Fits most “through the table” boundary microphones
- Unobtrusive, sleek low-profile design
- Durable black anodized finish
- Easy mounting in a variety of surface thicknesses

FSR Inc.

244 Bergen Boulevard, Woodland Park, NJ 07424

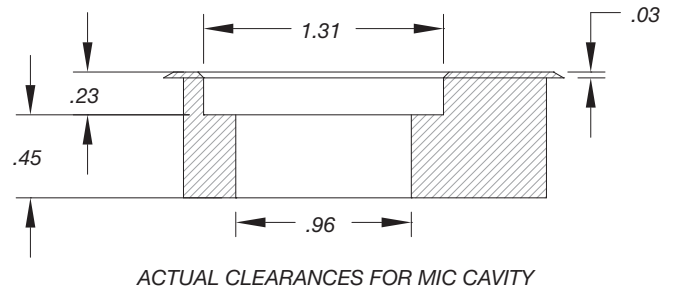
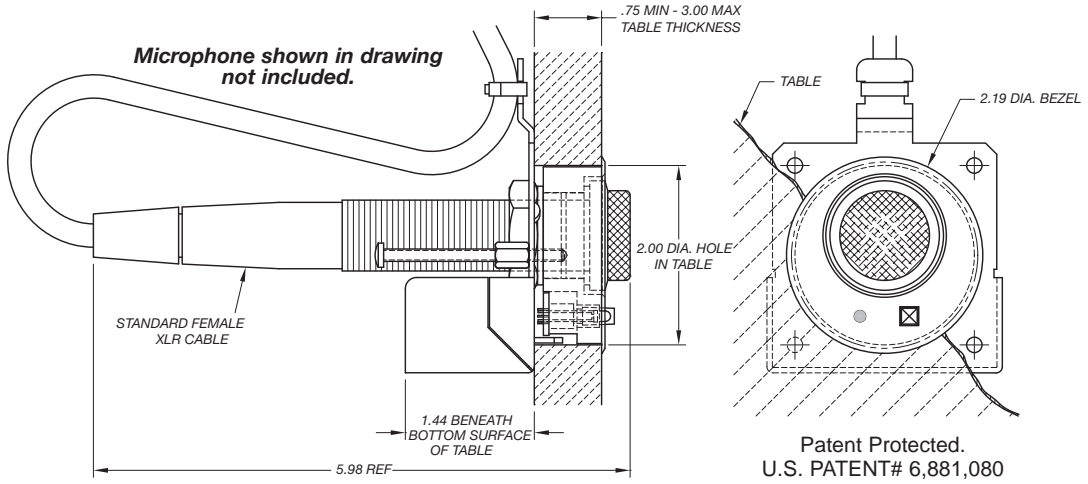
Phone: 973.785.4347 · Fax: 973.785.4207

Web: www.fsrinc.com · E-mail: sales@fsrinc.com LIT1403A

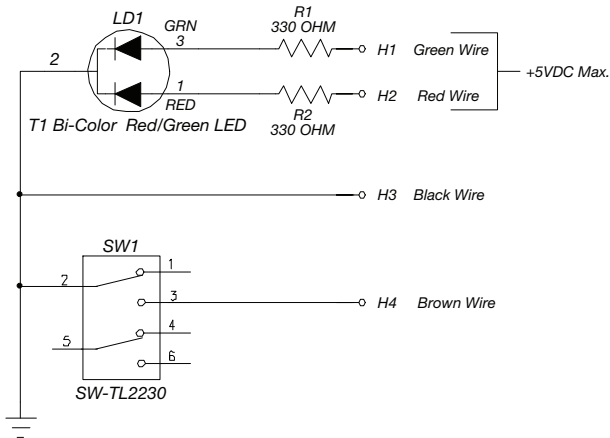


Specifications are subject to change without notice.

TYPICAL ASSEMBLY



WIRING DIAGRAM



SIMILAR PRODUCTS:

FSR offers a variety of mini table boxes in many different styles and configurations. Please visit our document library or contact sales for individual spec sheets.



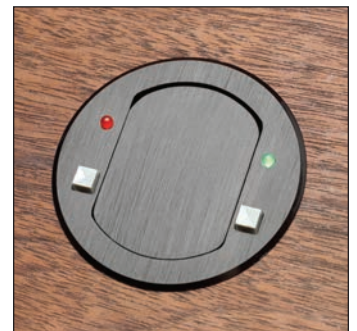
T3-PC1SQ



T3-AC2



T3-MJ-1B



T3-MJ-2B



244 Bergen Boulevard, Woodland Park, NJ 07424
 Phone: 973.785.4347 · Fax: 973.785.4207
 Web: www.fsrinc.com · E-mail: sales@fsrinc.com