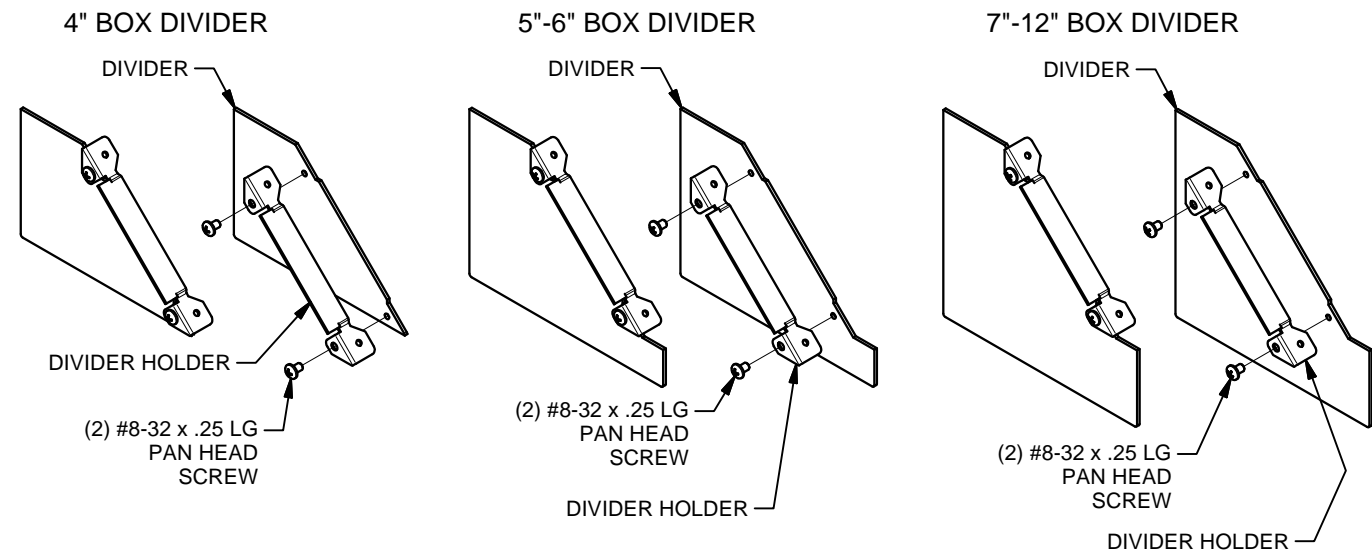
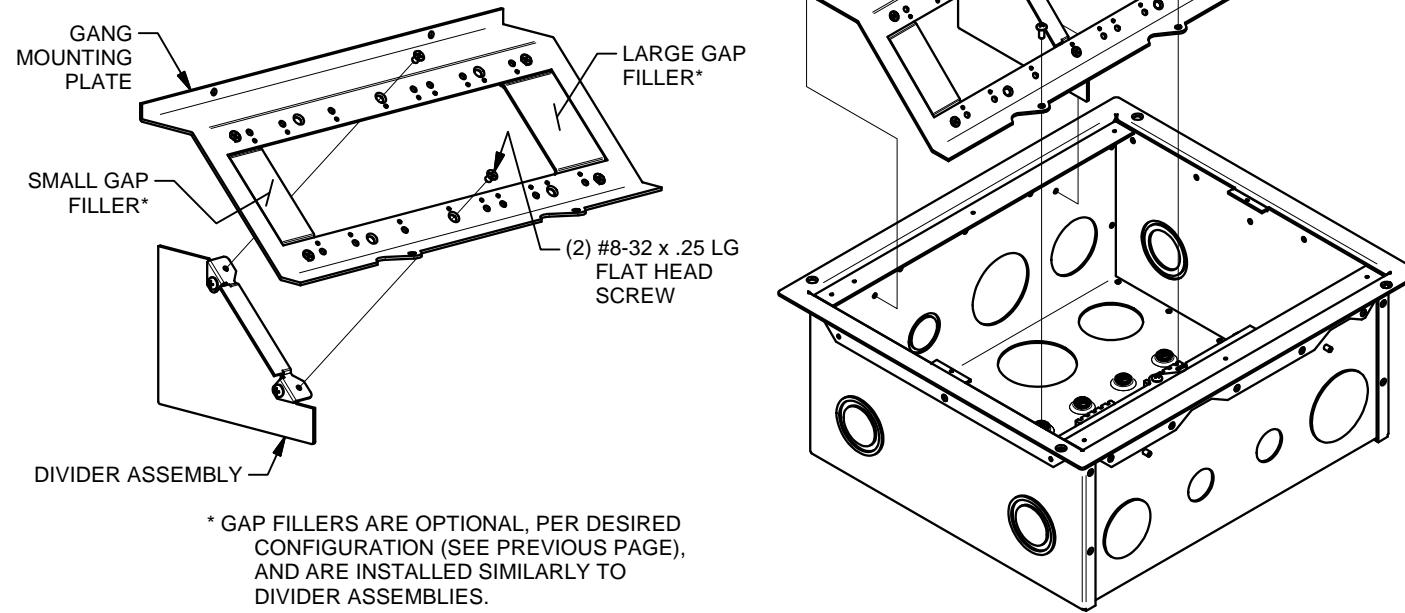


## GANG DIVIDER ASSEMBLY

DIVIDER HOLDER **MUST** BE ORIENTED AS SHOWN WHEN ATTACHING TO DIVIDERS, IN ORDER TO PROPERLY ASSEMBLE BOX INTERIOR.

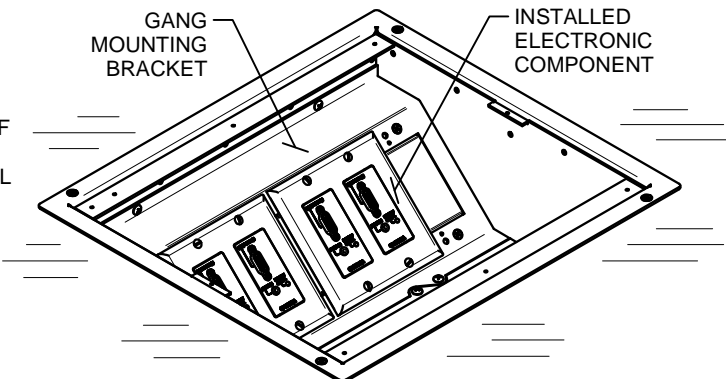


\* DIVIDER ASSEMBLY FOR 5" & 7" BOXES  
POSITION DIVIDER ASSEMBLY IN BOX BEFORE INSTALLING GANG PLATE ASSEMBLY. SECURE DIVIDER ASSEMBLY TO GANG PLATE ASSEMBLY WITH SCREWS AS NOTED.



## INSTALLING ELECTRONIC COMPONENTS

PULL WIRES AND CABLES TO BOX AS NECESSARY (REMOVAL OF GANG MOUNTING BRACKETS MAY BE REQUIRED). TERMINATE WIRES AND CABLES TO ELECTRONIC COMPONENTS, AND INSTALL ELECTRONIC COMPONENTS ONTO GANG MOUNTING BRACKETS. REINSTALL TEMPORARY COVER IF FINISHED COVER IS TO BE INSTALLED AT A LATER DATE.

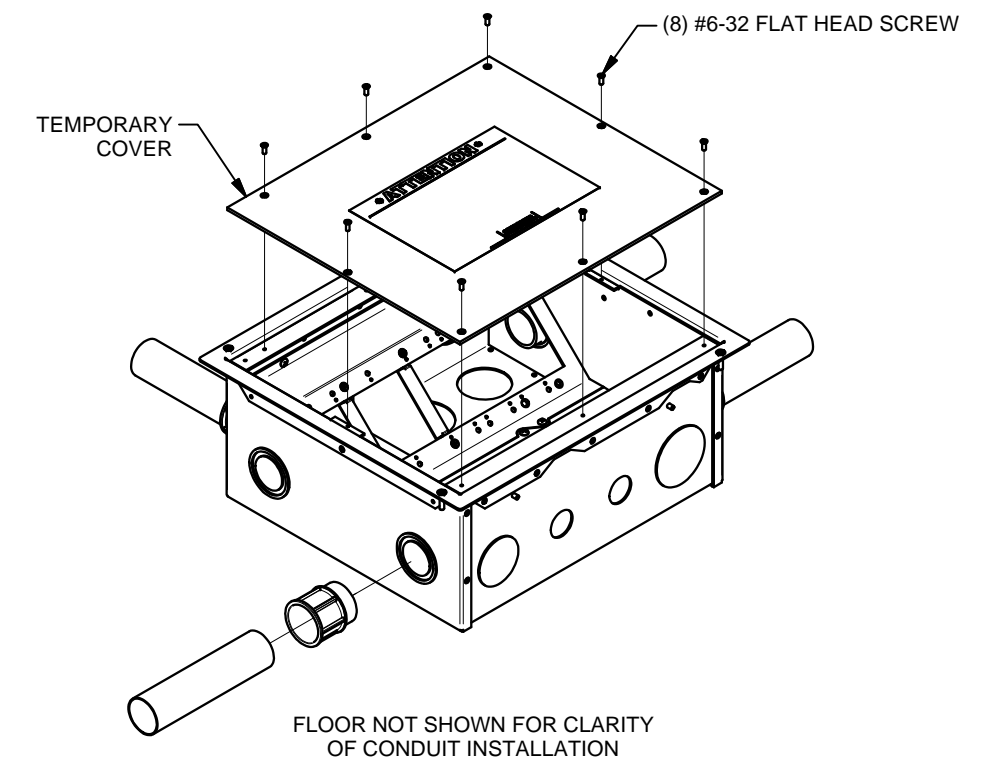
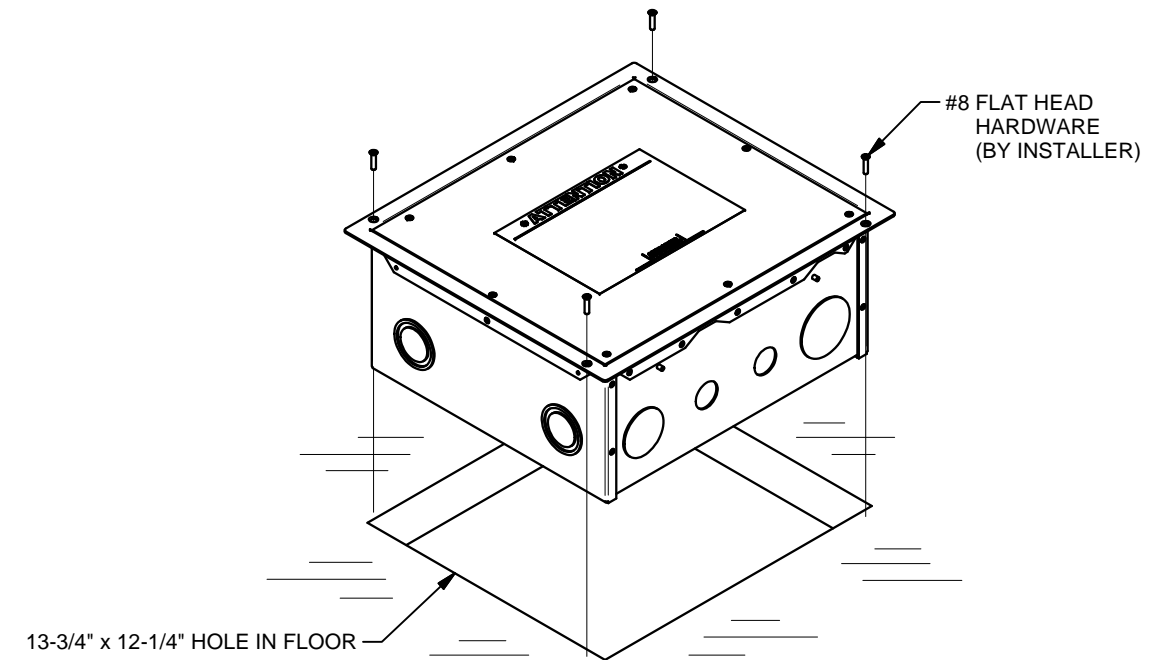


# FSR FL-640P INSTALLATION INSTRUCTIONS

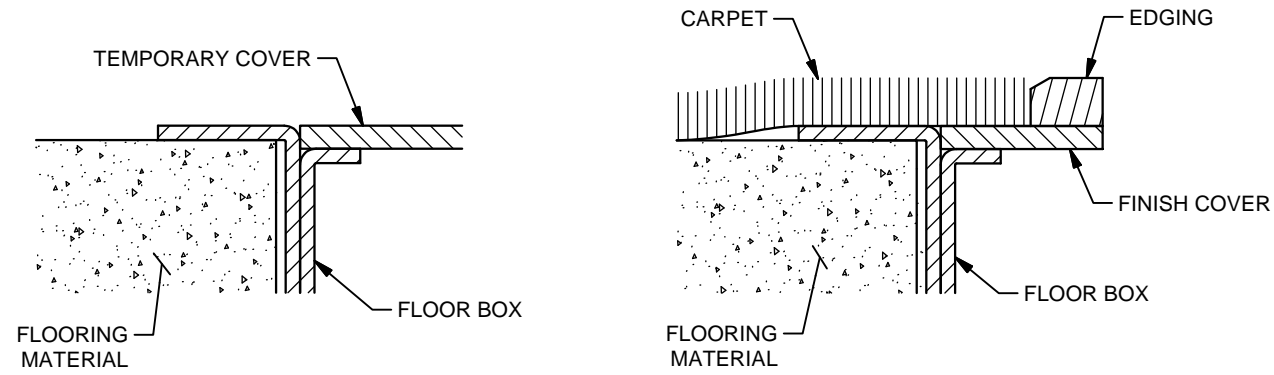
244 Bergen Boulevard, Woodland Park, NJ 07424, Phone: 973.785.4347 - Fax: 973.785.4207

## BOX INSTALLATION

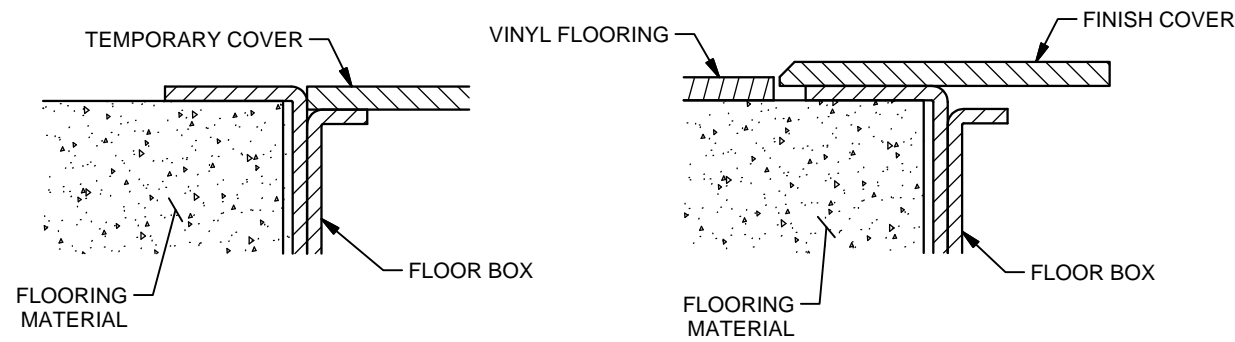
LOCATE AND POSITION BOX IN ACCORDANCE WITH FLOOR PLANS. HOLE TO BE CUT IN FLOOR - 13-3/4" x 12-1/4". DROP FLOOR BOX THRU HOLE AND SECURE WITH #8 HARDWARE (BY INSTALLER) - LIP ON BOX CAN ACCOMODATE #8 COUNTER-SUNK SCREWS. REMOVE AND RETAIN TEMPORARY COVER AND SCREWS. ROUTE CONDUITS TO BOX AS REQUIRED. PLACE THIS INSTALLATION GUIDE BACK INTO BOX, ALONG WITH ALL SUPPLIED ITEMS, AND REINSTALL TEMPORARY COVER.



**TYPICAL INSTALLATION  
CARPET OVER CONCRETE (COVER WITH EDGING)**

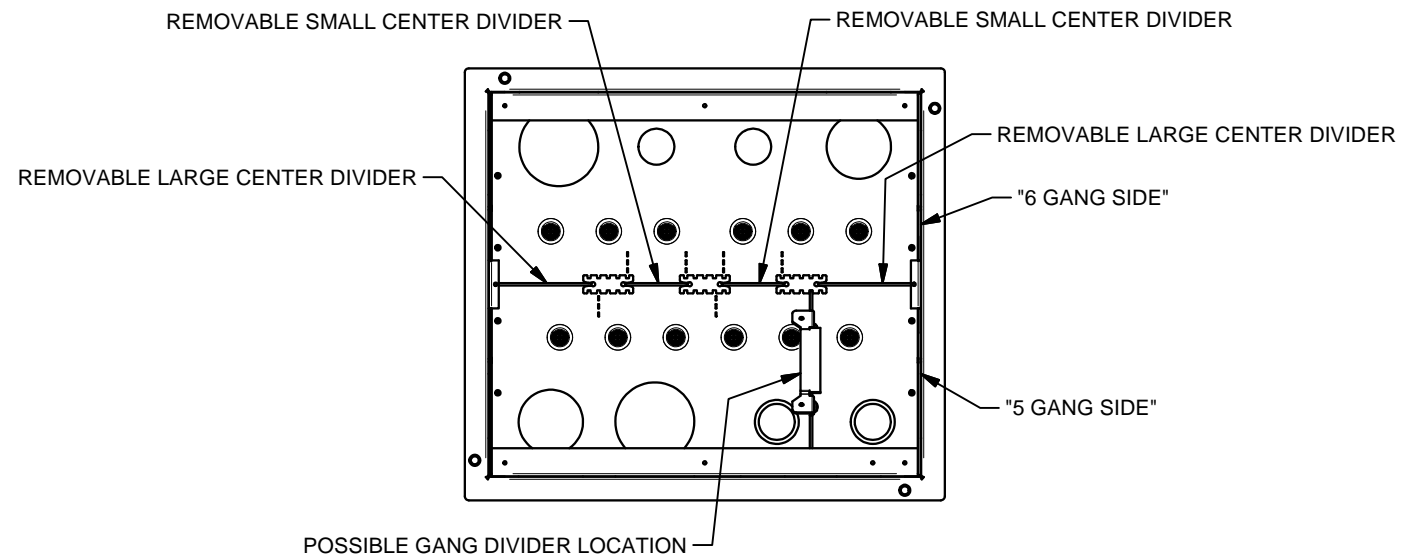


**VINYL FLOORING OVER CONCRETE (COVER WITHOUT EDGING)**



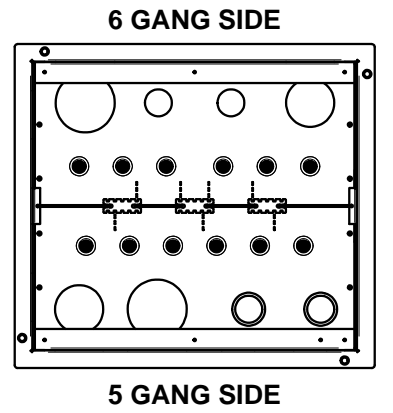
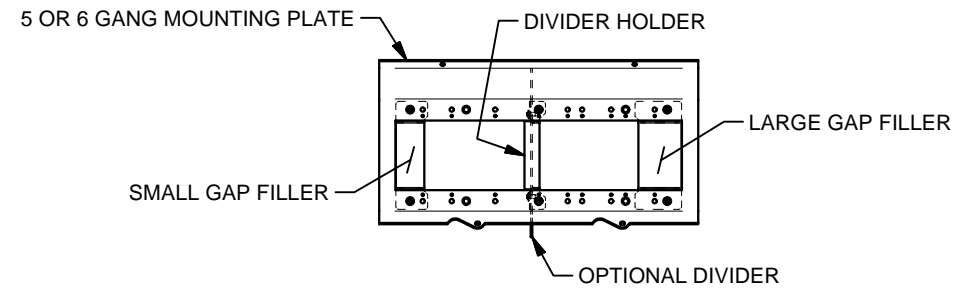
**CENTER DIVIDER CONFIGURATION (NOT APPLICABLE ON 4" BOX)**

SET ASIDE TEMPORARY COVER AND SCREWS FOR POSSIBLE RE-INSTALLATION. REMOVE AND RETAIN GANG MOUNTING BRACKETS AND SCREWS TO CONFIGURE CENTER DIVIDERS.

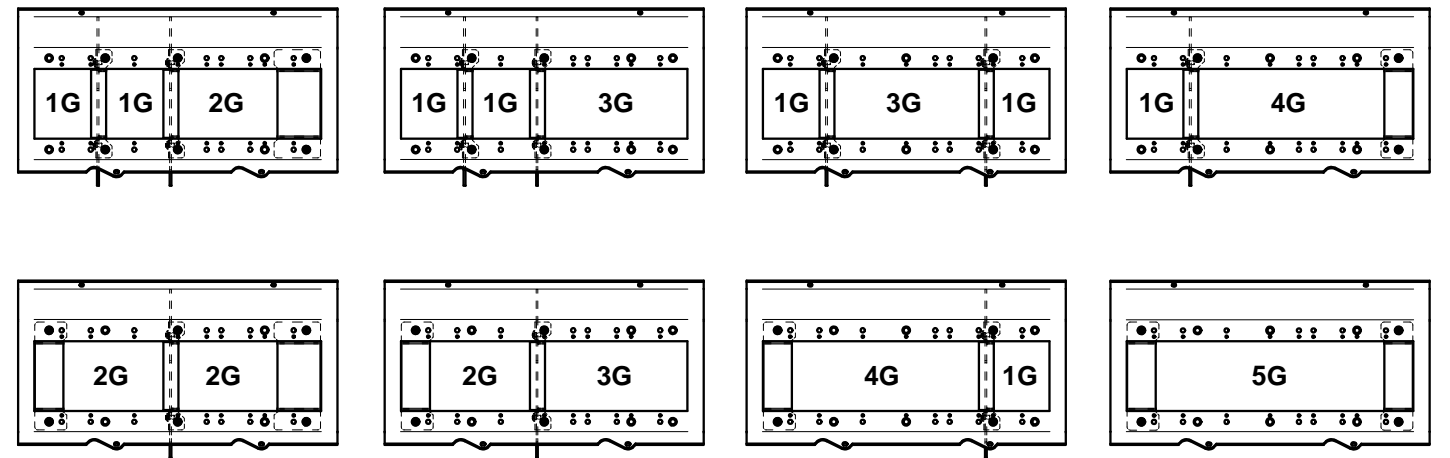


**GANG MOUNTING BRACKET CONFIGURATION**

PER CUSTOMER SPECIFICATIONS, CONFIGURE GANG MOUNTING BRACKETS AS SHOWN BELOW AND REASSEMBLE INTO BOX.



**"5 GANG SIDE" MOUNTING BRACKET CONFIGURATIONS**



**"6 GANG SIDE" MOUNTING BRACKET CONFIGURATIONS**

