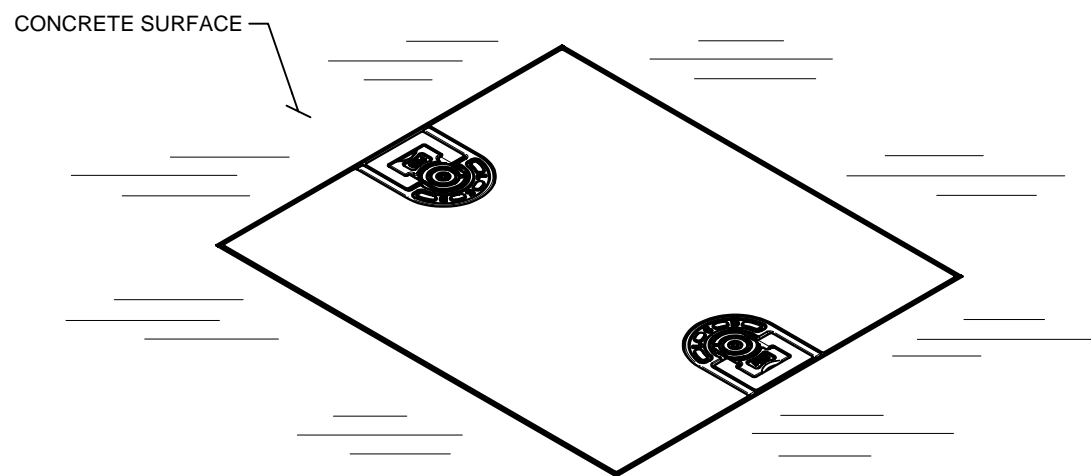
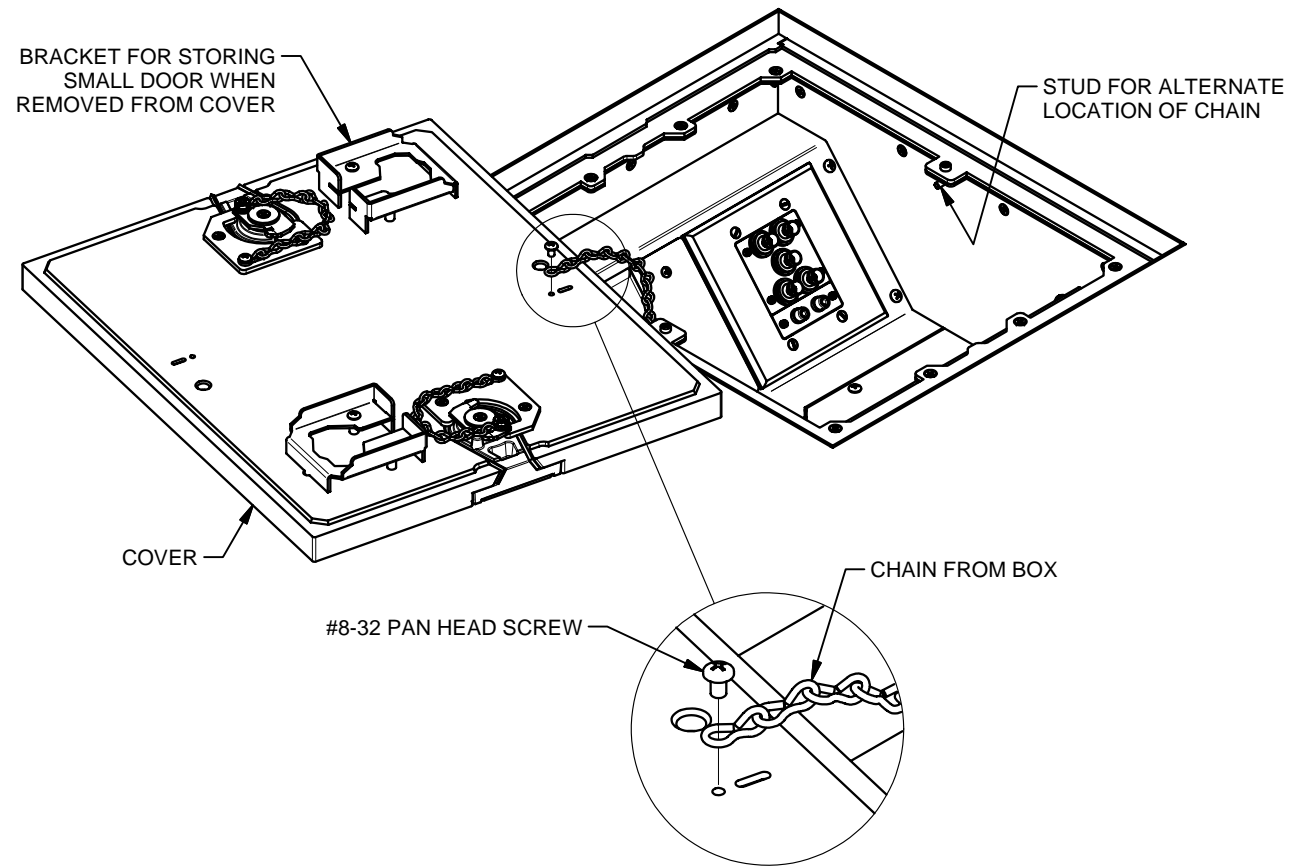


COVER INSTALLATION

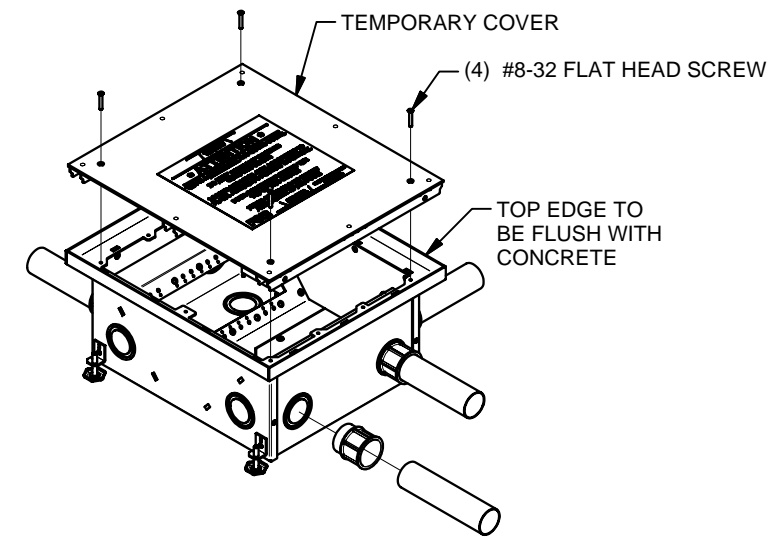
INSTALL BOX-ATTACHED CHAIN TO COVER, AND REPLACE COVER BACK INTO NEWLY-INSTALLED RIM, LATCHING THE SMALL DOORS IN PLACE (REVERSE ACTIONS OF DETAILS 1 THRU 3 PREVIOUSLY DONE). CHAIN FROM BOX CAN BE REMOVED AND INSTALLED TO ALTERNATE LOCATION, IF DESIRED.



FLH20-0-BX/FLH20-0S-C Installation Guide

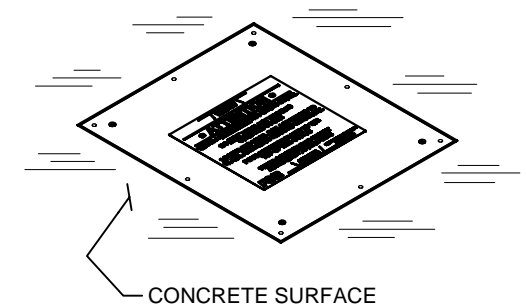
BOX INSTALLATION - STEP 1

REMOVE AND RETAIN TEMPORARY COVER AND SCREWS. LOCATE AND POSITION BOX IN ACCORDANCE WITH FLOOR PLANS. TOP EDGE OF BOX MUST BE FLUSH WITH CONCRETE POUR. LEVEL AND ANCHOR BOX AS REQUIRED. USE SCREWS, NAILS, OR WIRE TO PREVENT BOX FROM FLOATING DURING POUR. ROUTE CONDUITS TO BOX AS REQUIRED. PLACE THIS INSTALLATION GUIDE BACK INTO BOX, ALONG WITH ALL SUPPLIED ITEMS, AND REINSTALL TEMPORARY COVER.



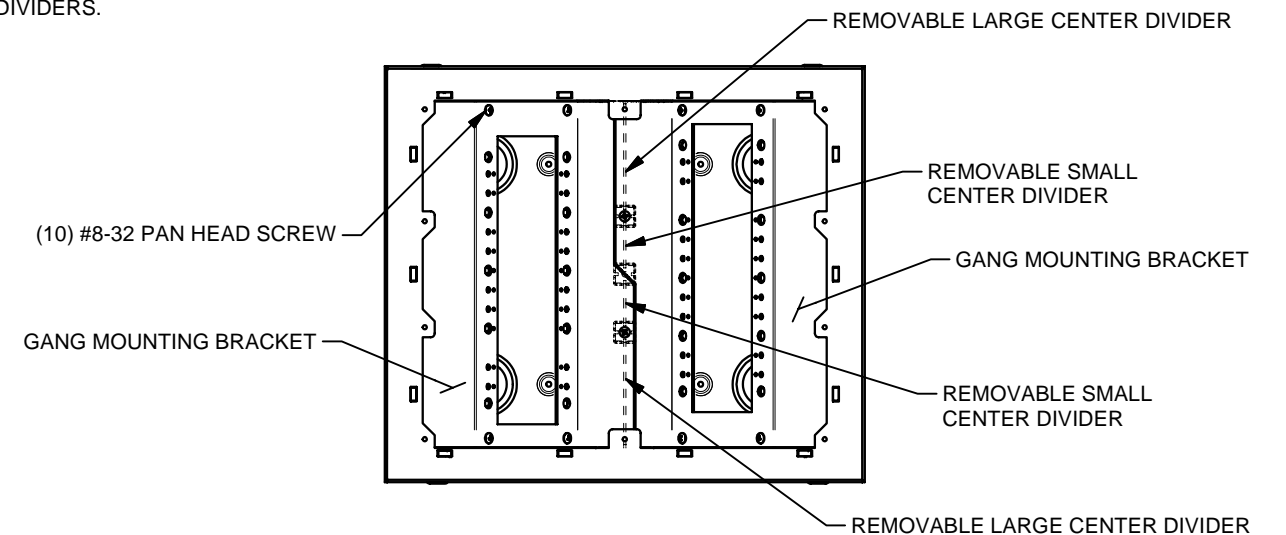
BOX INSTALLATION - STEP 2

SCREED TO TOP OF BOX SURFACE. HAND TROWELING RECOMMENDED NEAR BOX EDGES. BOX HAS NO HEIGHT ADJUSTMENT AFTER CONCRETE POUR.



CENTER DIVIDER CONFIGURATION

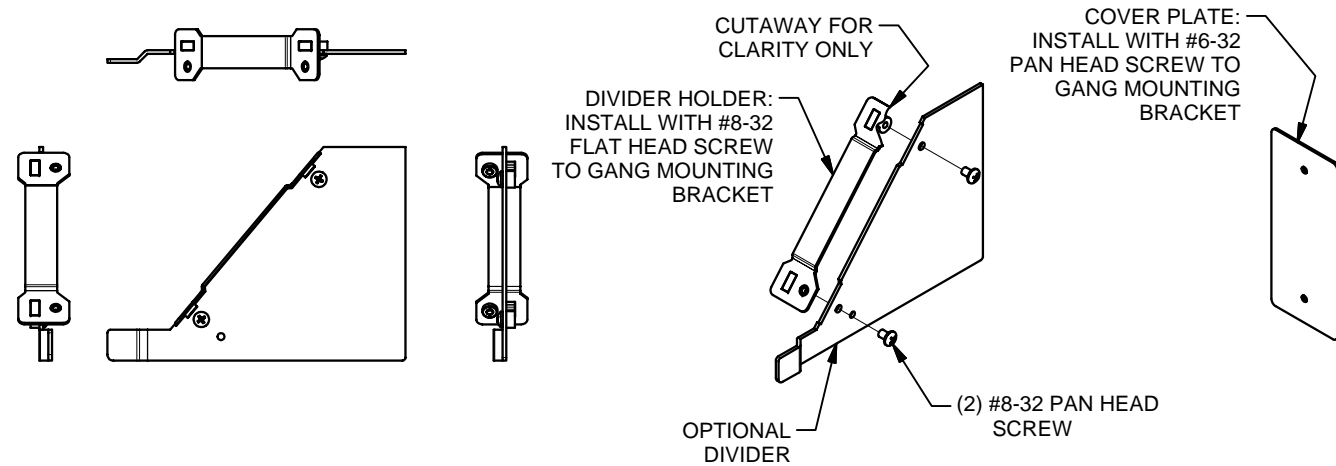
SET ASIDE TEMPORARY COVER AND SCREWS FOR POSSIBLE RE-INSTALLATION. REMOVE AND RETAIN GANG MOUNTING BRACKETS AND SCREWS TO CONFIGURE CENTER DIVIDERS.



FSR Inc.

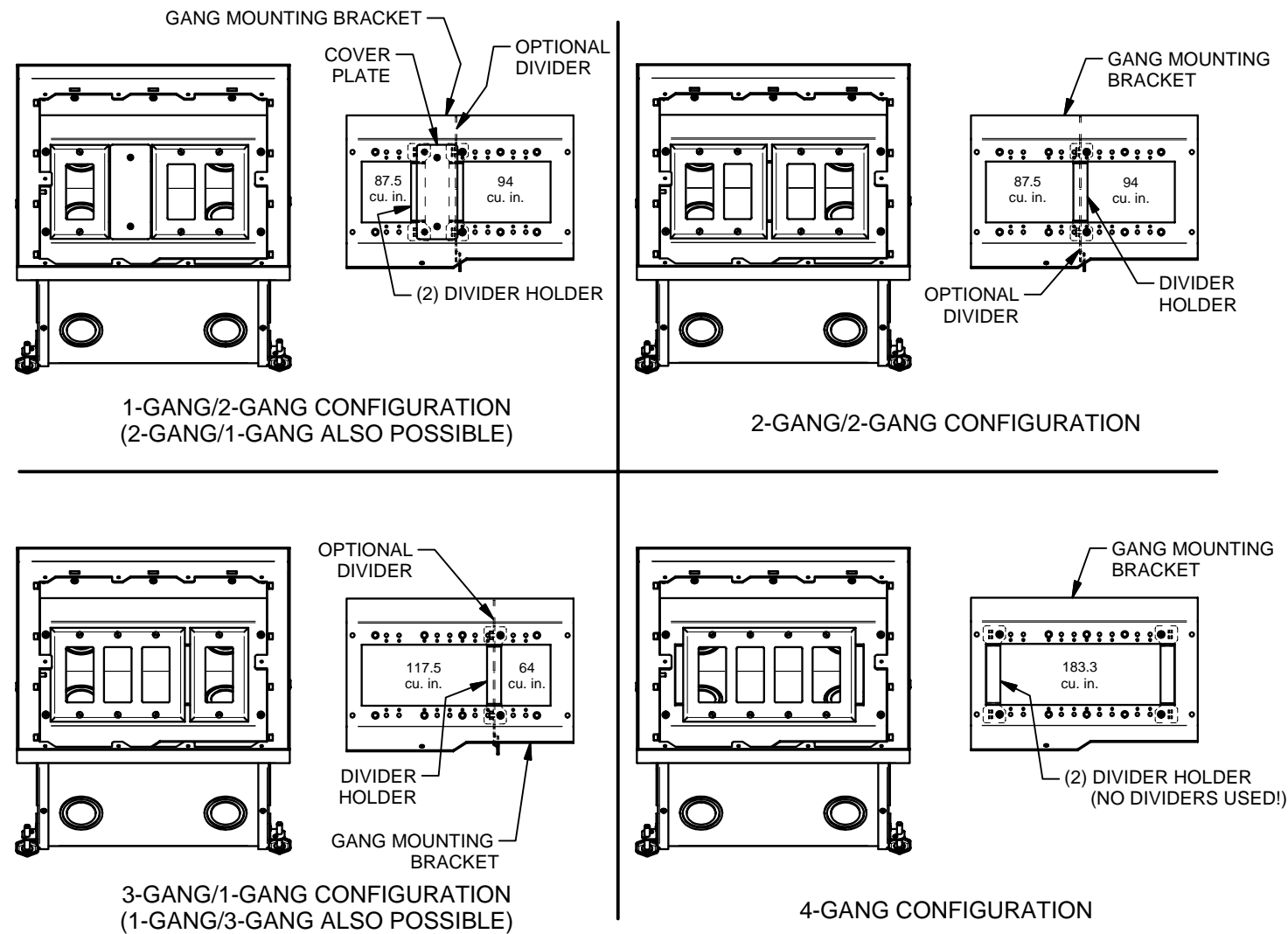
244 Bergen Boulevard, West Paterson, NJ 07424
Phone: 973.785.4347 - Fax: 973.785.4207
Web: www.fsrinc.com - E-mail: sales@fsrinc.com

GANG DIVIDER ASSEMBLY



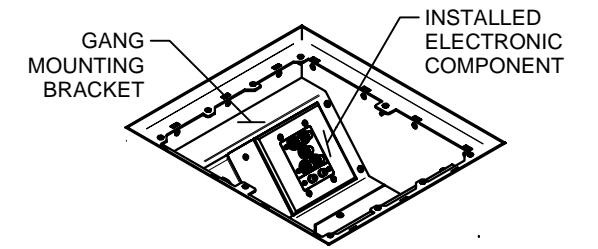
GANG MOUNTING BRACKET CONFIGURATION

PER CUSTOMER SPECIFICATIONS, CONFIGURE GANG MOUNTING BRACKETS AS SHOWN BELOW AND REASSEMBLE INTO BOX (DECORA WALL PLATES SHOWN AS REFERENCE AND NOT INCLUDED).



INSTALLING ELECTRONIC COMPONENTS

PULL WIRES AND CABLES TO BOX AS NECESSARY (REMOVAL OF GANG MOUNTING BRACKETS MAY BE REQUIRED). TERMINATE WIRES AND CABLES TO ELECTRONIC COMPONENTS, AND INSTALL ELECTRONIC COMPONENTS ONTO GANG MOUNTING BRACKETS. PLACE THIS INSTALLATION GUIDE BACK IN BOX AND REINSTALL TEMPORARY COVER IF FINISHED COVER IS TO BE INSTALLED AT A LATER DATE.

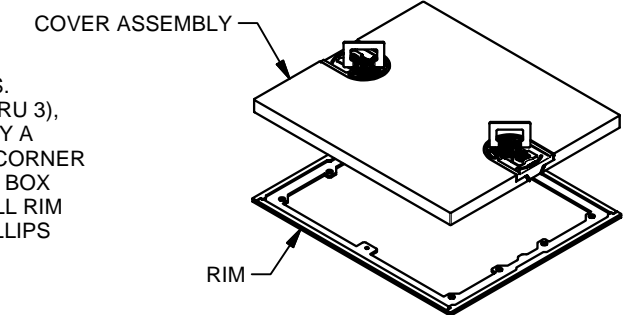


NOTE

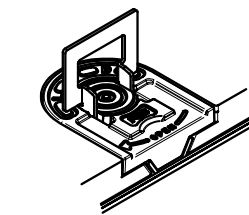
IF INSTALLING "JUNCTION BOX/ABANDONMENT" COVER, USE THAT COVER'S INSTALLATION GUIDE, AND IGNORE THE REMAINDER OF THESE INSTALLATION INSTRUCTIONS.

COVER RIM INSTALLATION

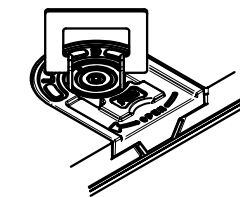
REMOVE AND DISCARD TEMPORARY COVER AND SCREWS. REMOVE COVER ASSEMBLY FROM RIM (SEE DETAILS 1 THRU 3), SET REMOVED COVER (WITH SMALL DOORS) ASIDE. APPLY A CONTINUOUS 1/4" BEAD OF RTV SILICONE TO THE INSIDE CORNER OF ALL 4 SIDES OF THE CONCRETE-STOP FLANGE ON THE BOX (SEE RTV SILICONE PLACEMENT DETAIL). QUICKLY INSTALL RIM ONTO BOX WITH PROVIDED (8) #8-32 x 1/4" FLAT HEAD PHILLIPS SCREWS AND (2) #8-32 x 5/16" FILLISTER HEAD SCREWS.



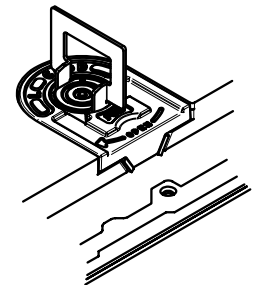
LATCH OPERATION



DETAIL 1
LIFT LATCH HANDLE 90°



DETAIL 2
ROTATING LATCH HANDLE 45° CLOCKWISE
ALLOWS COVER TO BE REMOVED FROM RIM



DETAIL 3
ROTATING LATCH HANDLE 90° CLOCKWISE
ALLOWS SMALL DOOR TO BE REMOVED
FROM COVER

