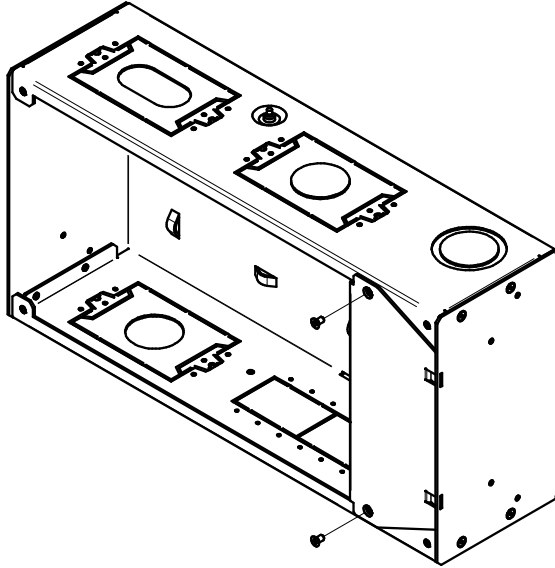
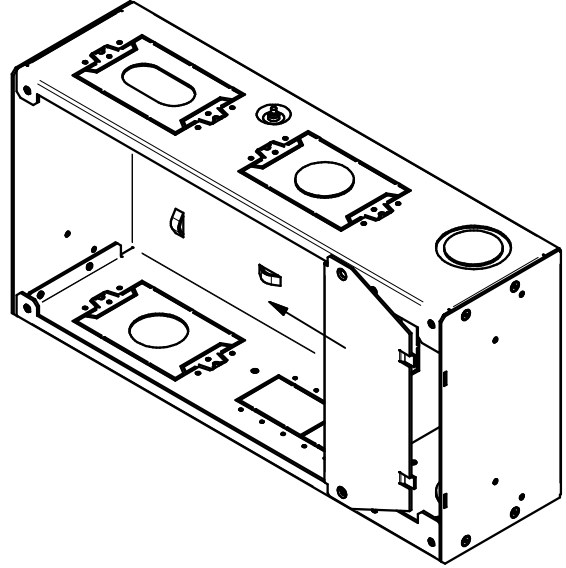


PASS-THRU ENCLOSURE COVER REMOVAL / INSTALLATION
(REVERSE STEPS TO REINSTALL)

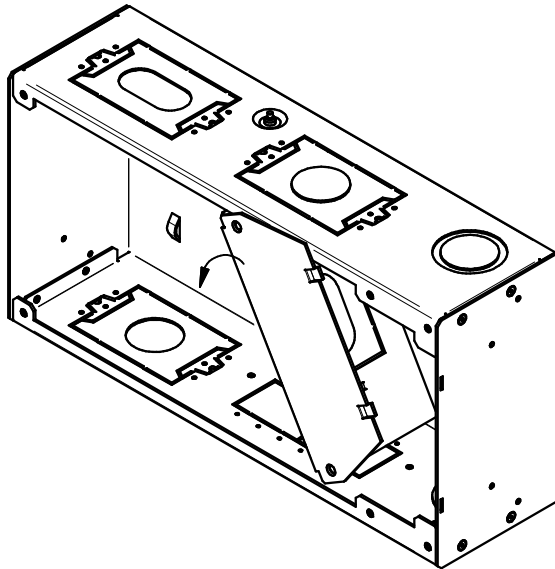
a. REMOVE SCREWS.



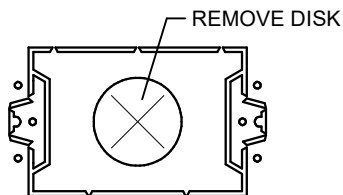
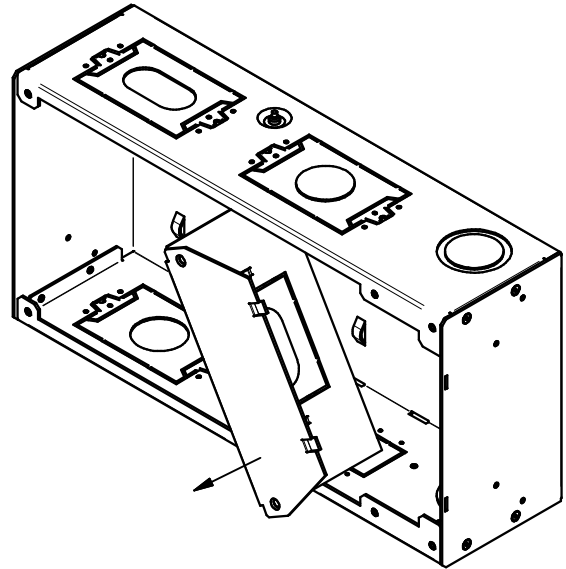
b. MOVE COVER AWAY FROM SIDE-WALL.



c. ROTATE COVER.



d. REMOVE COVER FROM BOX.



FOR 1" CONDUIT

KNOCKOUT DETAIL

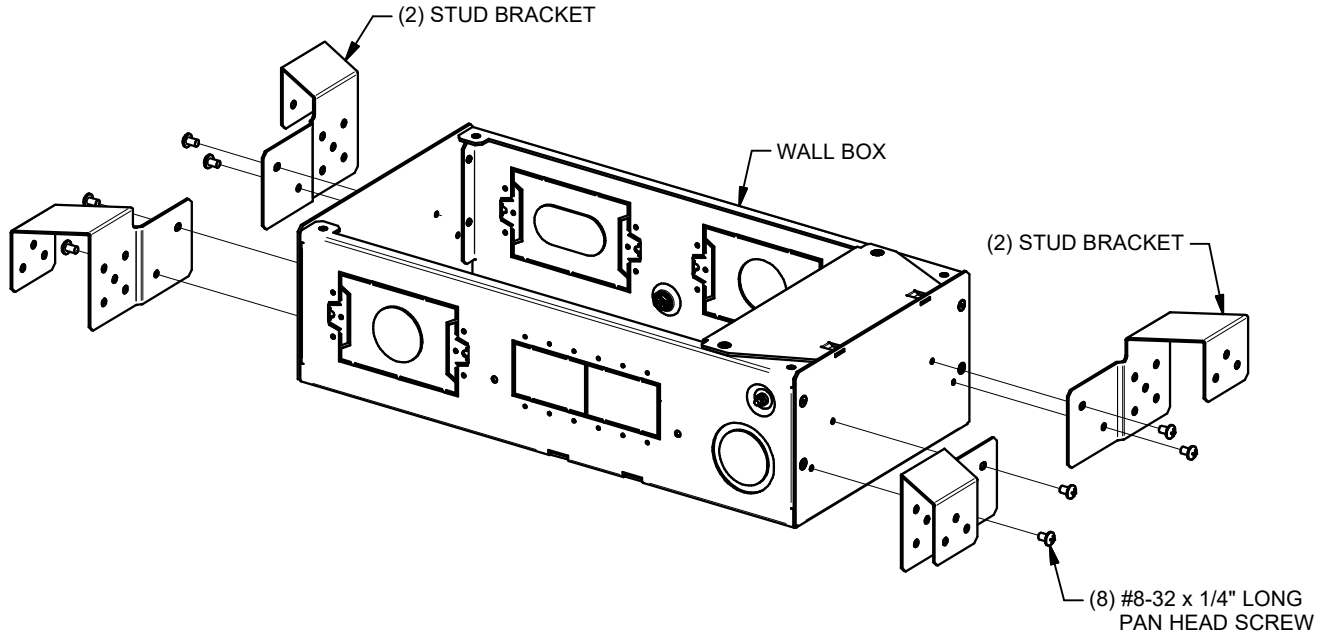


FOR LOW VOLTAGE DEVICE



FOR RACO 420 ELECTRIC BOX
(1 SUPPLIED)

STUD BRACKET INSTALLATION



WALL BOX INSTALLATION

