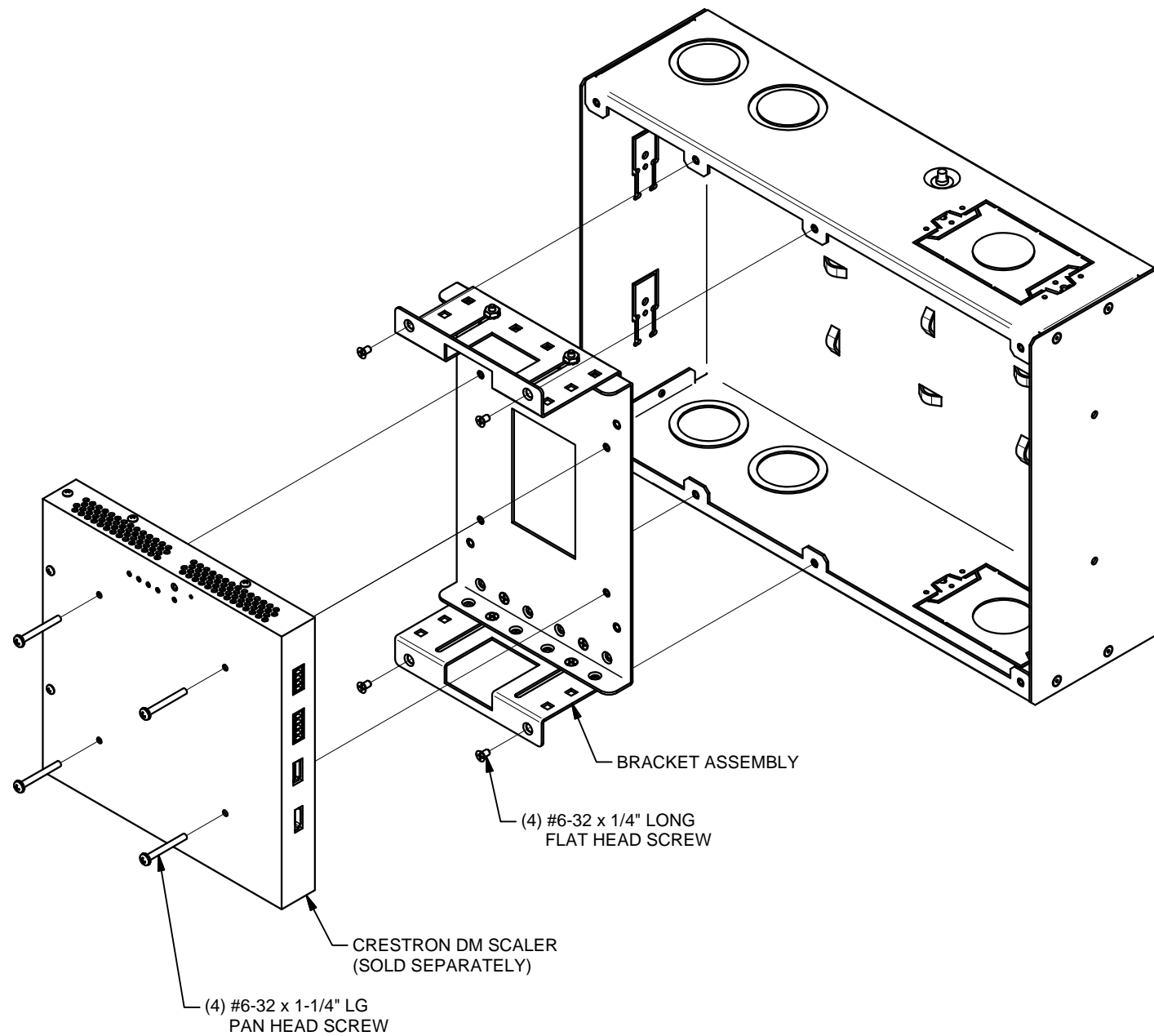
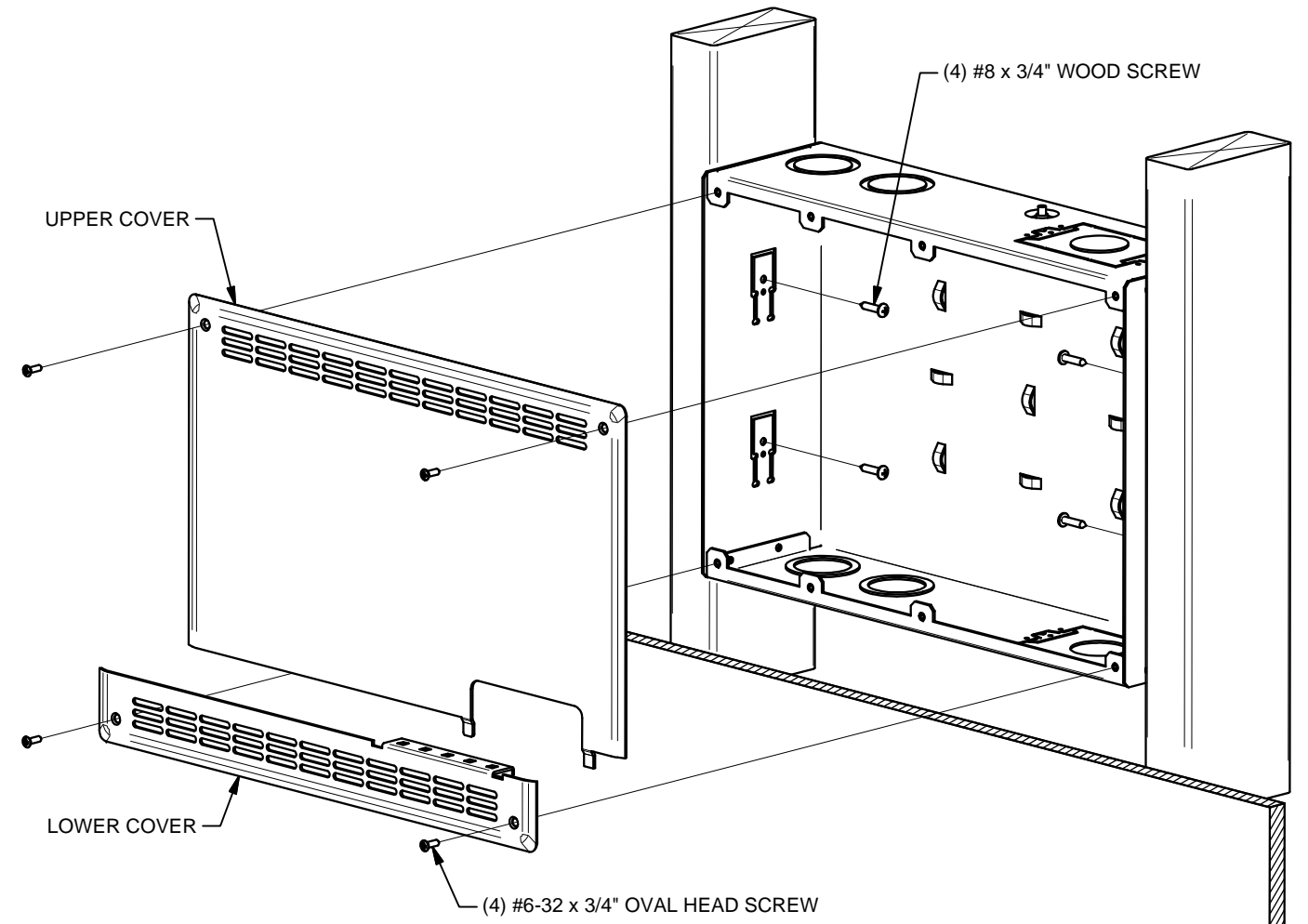


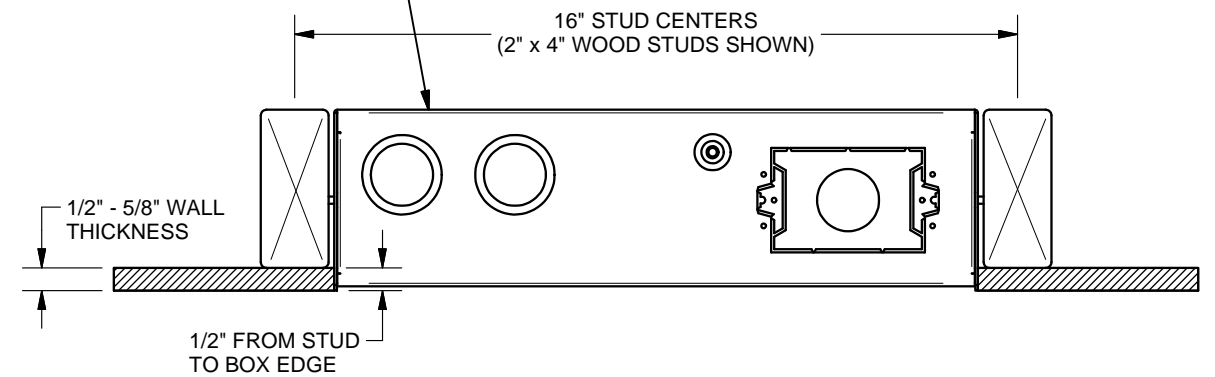
COMPONENT MOUNTING DETAIL



WOOD STUD MOUNTING
 WALL OPENING: 14-3/8" x 10-1/8"
 NOTE: BOX CAN BE ORIENTED IN ONE OF TWO POSITIONS



ENSURE REAR SURFACE OF BOX DOES NOT EXTEND PAST SURFACE OF WALL STUD



STEEL STUD MOUNTING

WALL OPENING: 14-3/8" x 10-1/8"

NOTE: BOX CAN BE ORIENTED IN ONE OF TWO POSITIONS

