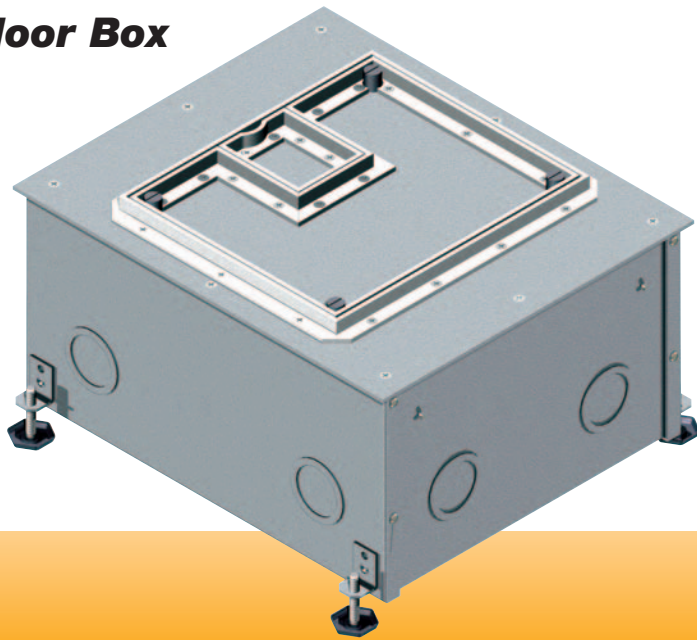


FL-500P Floor Box



FSR

Metal Products Group

FL-500P Floor Box

- 11-gauge steel temporary construction cover included
- 11-gauge finished steel cover with choice of carpet edging
- Mitered brass or aluminum carpet edging .5" or .25" high
- Stainless steel compression latches
- Lift-off full access door
- Leveling feet

Scrub water approved for carpet, tile, and wood floors!

DESCRIPTION

The FL-500P floor box is designed for conference rooms, auditoriums, courtrooms, churches and all general meeting space with concrete floors that are covered with carpet. This floor box handles power, audio, video, telecommunications and data in one elegant and practical box.

The FL-500P is not only UL and CUL Listed but has also passed the latest UL test for scrub water. Because of FSR's unique engineering and manufacturing ability, FSR boxes passed for carpeted floors as well as tile and wood!

The lift-off section of the cover allows full access to internal connector plates and stored cables, and the smaller hinged cable access door flips back to create the cable exit. When the box is not in use, the cover is completely closed allowing unencumbered travel in the area with only the hand-mitered, elegant carpet edge visible. The low profile edging is 1/4" or 1/2" high and is available in brass or aluminum. Black, "Oak" painted, and stainless steel covers are available for non-carpeted applications.

The FL-500P is designed to handle the rigors of a floor environment and still maintains flexibility and elegance.

Note: This box is not applicable for contact with grade (soil or gravel). The FSR Floor Pan Accessory is recommended in this application.

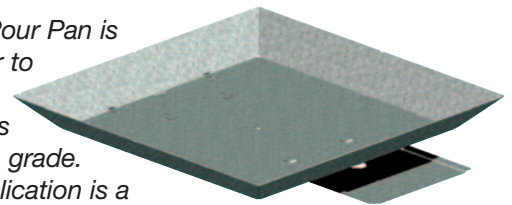
SPECIFICATIONS

Size:	Box:	10" x 12" x depth
	Cover:	10.5" x 12.5" x .125"
Edging:	Height:	.25" or .5"
	Material:	Brass or Aluminum
Weight:		16 lbs.
Knockouts:		Total of Twelve, either 1" or 1.25"

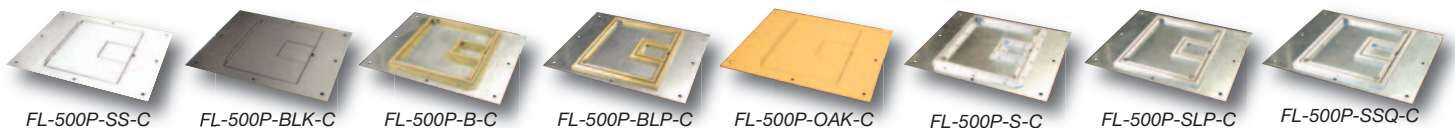
POUR PAN ACCESSORY

The FSR Pour Pan is the answer to floor box installations that are on grade.

If your application is a poured concrete floor, but the box may rest on soil, rock, gravel, etc., you must first install the Pour Pan. The Pour Pan is set into the grade below the floor box and allows concrete to flow around and under the box to prevent the floor box from contacting the grade. The unit comes with extended length leveling feet, and the unique "pan wings" prevent the pan from shifting during the pour.



COVER OPTIONS



FL-500P-SS-C

FL-500P-BLK-C

FL-500P-B-C

FL-500P-BLP-C

FL-500P-OAK-C

FL-500P-S-C

FL-500P-SLP-C

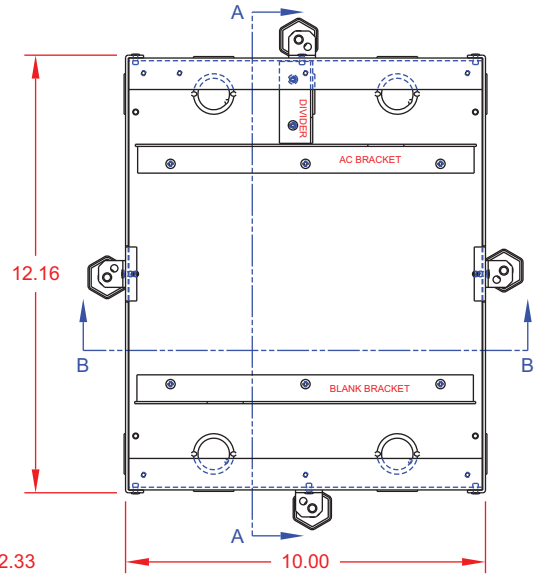
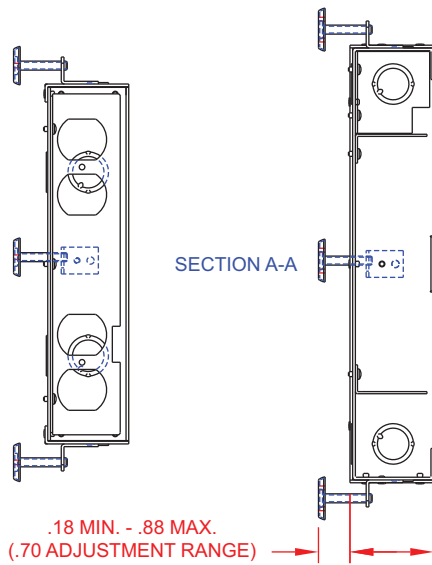
FL-500P-SSQ-C

Back Box Detail Drawings

FL-500P-2.25
2.25" Deep

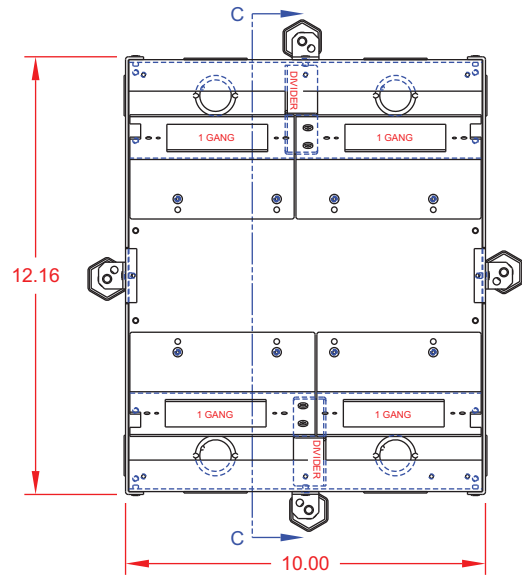
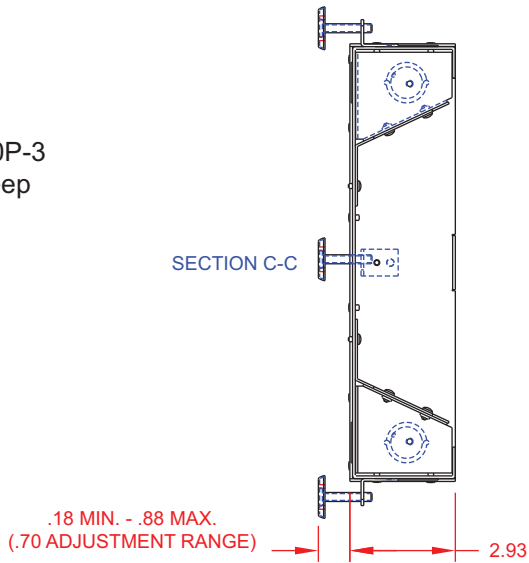
SECTION B-B
VIEW ROTATED 90°
CLOCKWISE

SECTION A-A



FL-500P-3
3" Deep

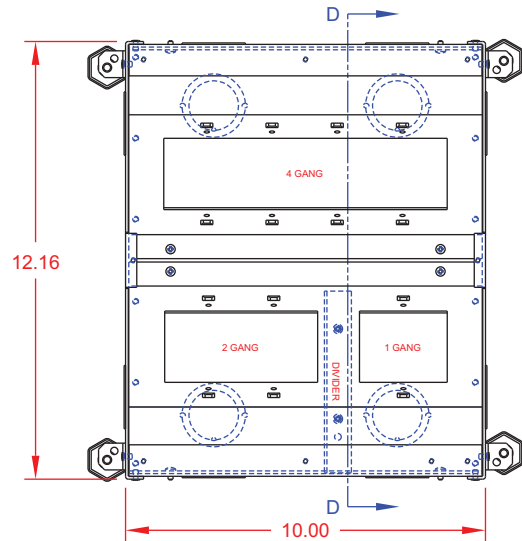
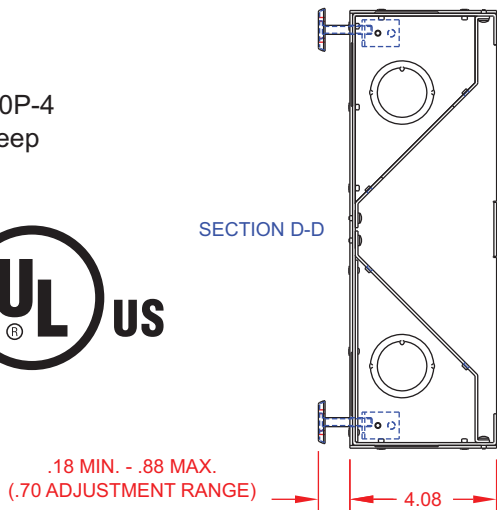
SECTION C-C



FL-500P-4
4" Deep



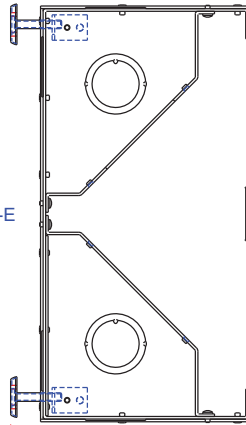
SECTION D-D



FL-500P-6
6" Deep



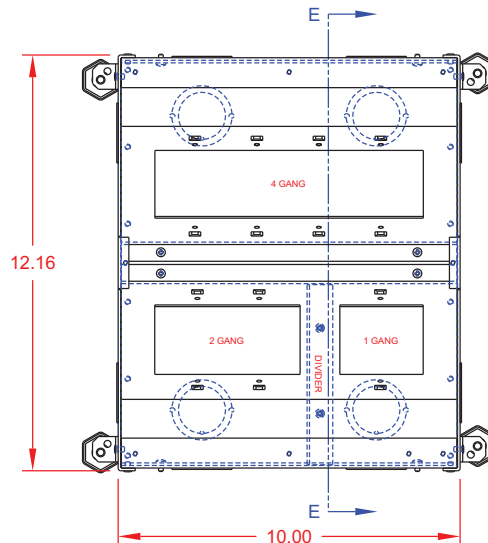
SECTION E-E



.18 MIN. - .88 MAX.
(.70 ADJUSTMENT RANGE)

6.08

12.16

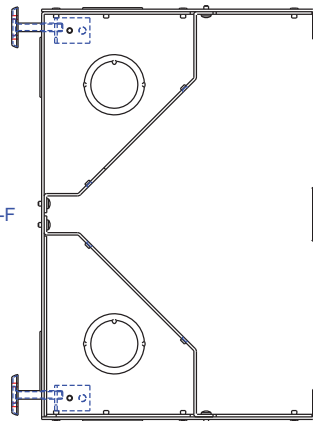


10.00

FL-500P-8
8" Deep



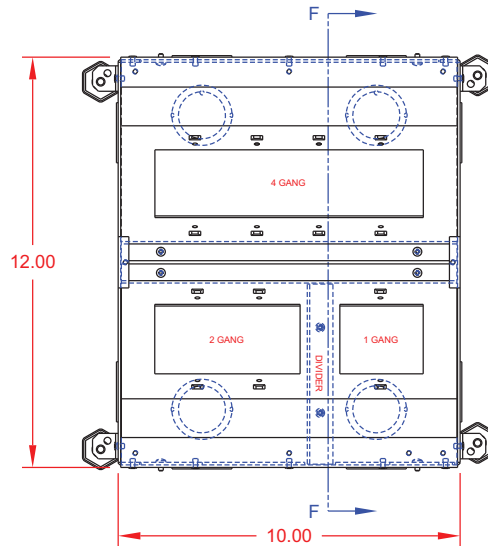
SECTION F-F



.18 MIN. - .88 MAX.
(.70 ADJUSTMENT RANGE)

8.00

12.00



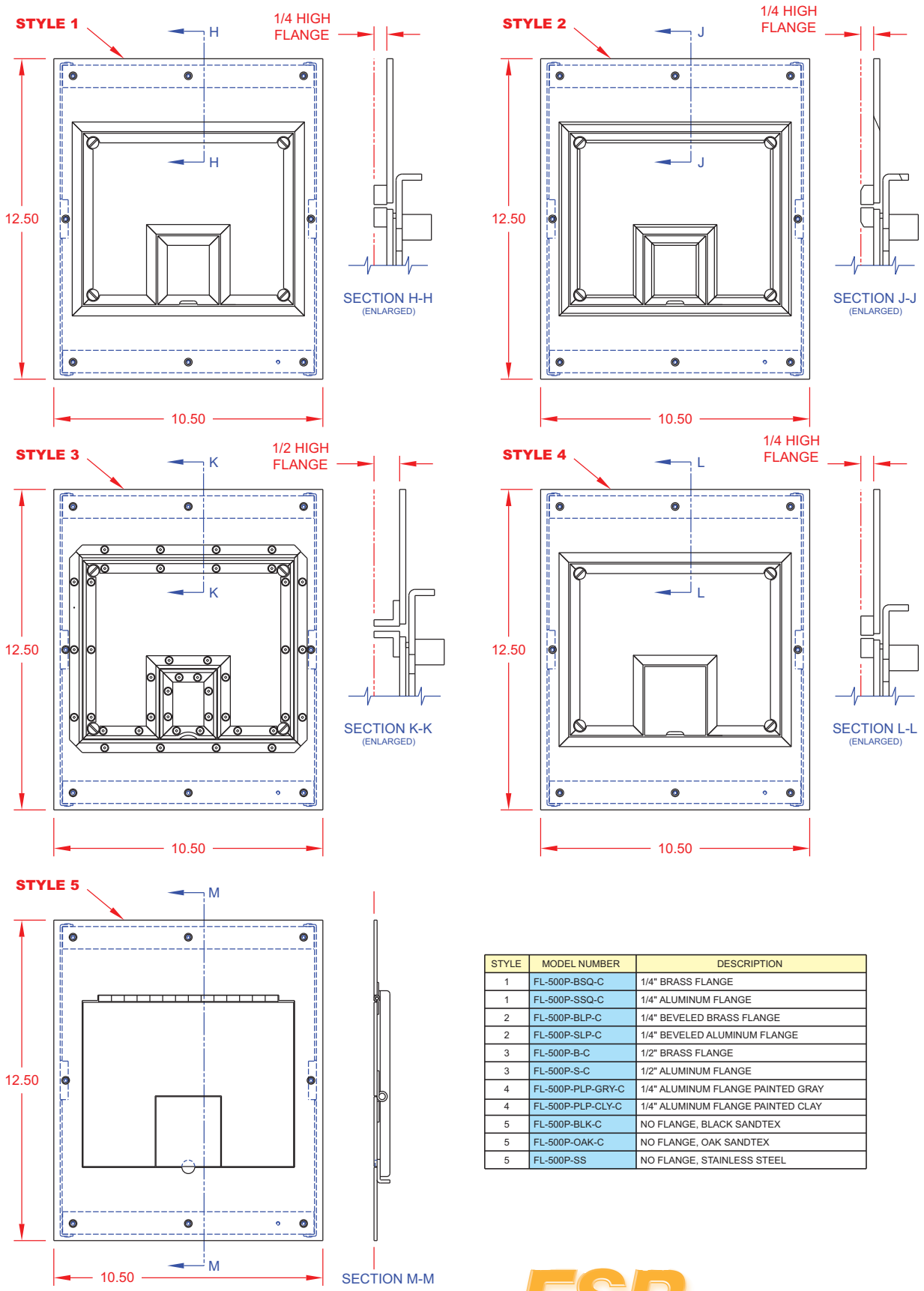
10.00

Floor Box Covers and Back Boxes ordering information

FL-500P – Requires ordering Cover and Back Box separately

Part #	Description
Covers - UL Scrub Water Rated for Tile and Carpet Installations	
FL-500P-B-C	Cover With 1/2" Brass Carpet Flange (Lift off door)
FL-500P-BLP-C	Cover With 1/4" Beveled Brass Carpet Flange (Lift off door)
FL-500P-BSQ-C	Cover With 1/4" Square Brass Flange (Lift off door)
FL-500P-S-C	Cover With 1/2" Aluminum Carpet Flange (Lift off door)
FL-500P-SLP-C	Cover With 1/4" Beveled Aluminum Carpet Flange (Lift off door)
FL-500P-SSQ-C	Cover With 1/4" Square Aluminum Flange (Lift off door)
FL-500P-PLP-GRY-C	Cover With 1/4" Painted Carpet Flange- Gray (solid cable access door)
FL-500P-PLP-CLY-C	Cover With 1/4" Painted Carpet Flange- Clay (solid cable access door)
Flat Covers	
FL-500P-BLK-C	Cover (No Flange) With Hinged Door in Black Sandtex
FL-500P-OAK-C	Cover (No Flange) With Hinged Door in Lt. Oak Sandtex
FL-500P-SS-C	Stainless Steel Cover (No Flange) with Hinged Door
Back Boxes - Includes Steel Construction Cover	
FL-500P-2.25	FL-500P Back Box - 2.25" Deep (Different Internal Brackets)
FL-500P-3	FL-500P Back Box - 3" Deep (Different Internal Brackets)
FL-500P-4	FL-500P Back Box - 4" Deep (UL)
FL-500P-6	FL-500P Back Box - 6" Deep (UL)
FL-500P-8	FL-500P Back Box - 8" Deep (UL)
Pour Pan Accessory for Grade Installations	
FL-GRD2	2" Grade Mounting Kit
FL-GRD4	4" Grade Mounting Kit

Cover Detail Drawings



STYLE	MODEL NUMBER	DESCRIPTION
1	FL-500P-BSQ-C	1/4" BRASS FLANGE
1	FL-500P-SSQ-C	1/4" ALUMINUM FLANGE
2	FL-500P-BLP-C	1/4" BEVELED BRASS FLANGE
2	FL-500P-SLP-C	1/4" BEVELED ALUMINUM FLANGE
3	FL-500P-B-C	1/2" BRASS FLANGE
3	FL-500P-S-C	1/2" ALUMINUM FLANGE
4	FL-500P-PLP-GRY-C	1/4" ALUMINUM FLANGE PAINTED GRAY
4	FL-500P-PLP-CLY-C	1/4" ALUMINUM FLANGE PAINTED CLAY
5	FL-500P-BLK-C	NO FLANGE, BLACK SANDETEX
5	FL-500P-OAK-C	NO FLANGE, OAK SANDETEX
5	FL-500P-SS	NO FLANGE, STAINLESS STEEL



244 Bergen Boulevard, West Paterson, NJ 07424
 Phone: 973.785.4347 · Fax: 973.785.4207
 Web: www.fsrinc.com · E-mail: sales@fsrinc.com LIT1047B