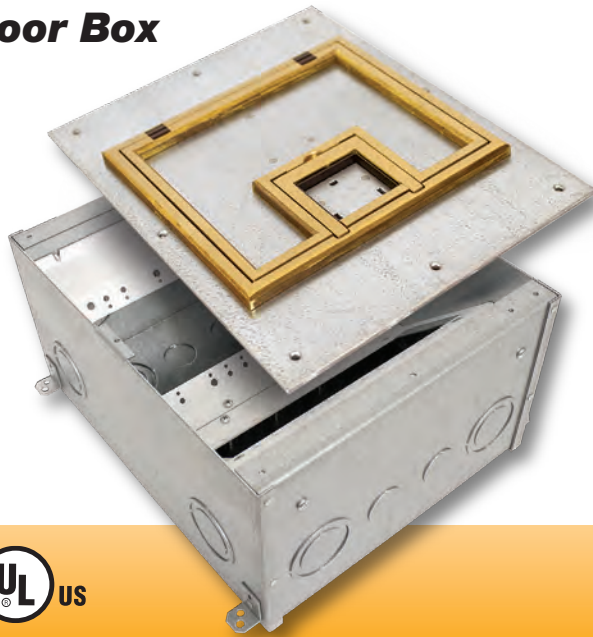


FL-500P Floor Box

FSR Metal Products Group

FL-500P Floor Box



“TOOL-LESS” HINGED U-ACCESS COVER

The cable access door can be easily removed by lifting the integrated U-Access handle to quickly access the interior compartment, connectors, and cables.

- 11-gauge steel temporary construction cover included
- 11-gauge finished steel cover with choice of carpet edging
- Mitered brass or aluminum carpet edging .5” or .25” high
- Stainless steel compression latches
- Hinged full access door
- Galvanized Steel



Scrub water approved for carpet, tile, and wood floors!

DESCRIPTION

Our FL-500P floor boxes combine rugged construction and an elegant design for use in carpet, tile, or wood covered floors over poured concrete applications. This makes it the perfect floor box for ballrooms, meeting rooms, public spaces, and high traffic areas. There is ample compartment room to accommodate power, audio, video, telecommunications, and data in one elegant and practical box.

There are a variety of covers to choose from. Options include integrated carpet edging, flat covers for non-carpeted, bare floor applications, and different finishes. The hinged section of the cover allows full access to internal connector plates and stored cables. The hinged cable exit door flips back to allow the cover to remain in place after connections are made and cables are routed through it. The 0.25” and 0.5” raised edge style and solid covers are UL scrub water approved.

The innovation continues to the “transformable” box bottom. The FL-500P’s internal brackets can be arranged to provide numerous options for both high and low voltage standard gang openings, making it the most flexible and easiest to install floor box available. Removable center dividers make passing cables through the various compartments a snap. Integral “Easy Pour” leveling feet are standard on all of the boxes. Several box depths are available. The 3” through 10” deep boxes are UL listed.

The unit includes all of the necessary internal plates and brackets to make “pre” and “post” pour compartment changes quick and easy. Using this system, both high and low voltage gang configurations, along with line voltage compartment isolation, can be implemented “on the fly”. This makes just about any cabling / connector scenario possible.

SPECIFICATIONS

Size:	Box:	10” x 12” x depth
	Cover:	10.5” x 12.5” x .125”
Flanging:	Height:	.25” or .5”
	Material:	Brass or Aluminum Flat and Solid Covers also available

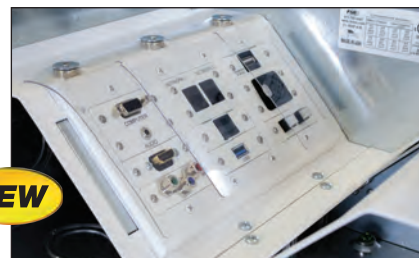
Max Load

Capacities:	FL-500P Hinged U-Access Cover with 1/4” Trim:	1,300 lbs.
	FL-500P Hinged U-Access Cover with 1/2” Trim:	1,500 lbs.
	FL-500P solid Hinged U-Access Cover:	2,500 lbs

FIRE-RESISTANT FLOOR BOXES

FSR also offers a line of larger Fire-Resistant floor boxes. Our FL-500P-6-FRK and FL-605P-6-FRK floor solutions expand the versatility of our floor box line by providing enhanced, fire-resistant versions of our existing products. Our FRK kits are UL listed and comply with UL 263 Fire Resistance Ratings. See Fire Rates Brochure for details.

Protect Your Connectors From Dust & Dirt



New Floor Box
Gang Plate
Dust Covers

See Ordering
Chart For
Details

NEW

LIT1047W

PLATE CONFIGURATIONS FOR 4" THRU 10" BOX BOTTOM

The box contains two identical brackets and either side can be configured as shown using the included parts.

Plate Configuration 1-2



Plate Configuration 1-3



Plate Configuration 2-2



Plate Configuration 3-1



Plate Configuration 4



**Decora plates shown for reference only.*

FL-500P "TRANSFORMABLE" BOX BOTTOM

Only on 4" through 10" box bottoms.

GANG PLATE DIVIDERS

Add and remove as needed to form a multitude of gang arrangement possibilities

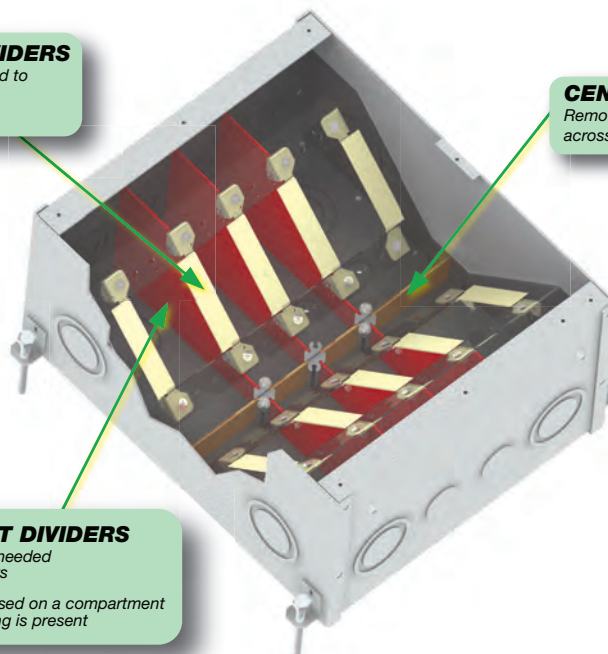
CENTER DIVIDERS

Remove to run cables across compartments

COMPARTMENT DIVIDERS

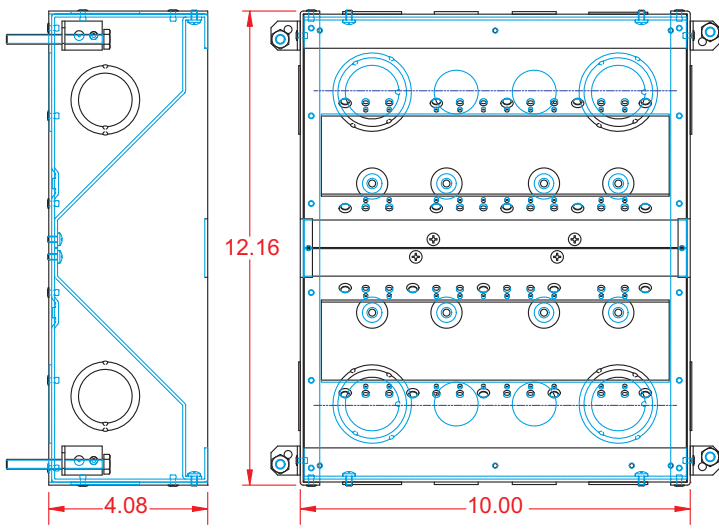
Remove or arrange as needed to isolate compartments

WARNING: Must be used on a compartment where line voltage wiring is present



BOX BOTTOM DETAIL DRAWINGS 4" THRU 10"

FL-500P-4-B 4" Deep

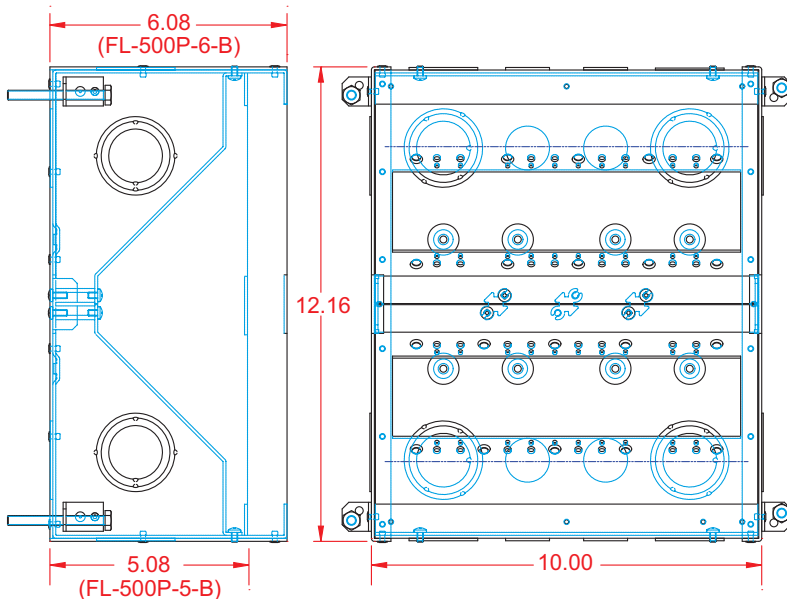


KNOCKOUT SPECIFICATIONS

FL-500P-4	
KO trade size	Qty/Box
3/4"	8
1.00" / 1-1/4" Concentric	4
1.00" / 1-1/4" / 1-1/2" Concentric	8



FL-500P-5-B & 6-B 5" & 6" Deep

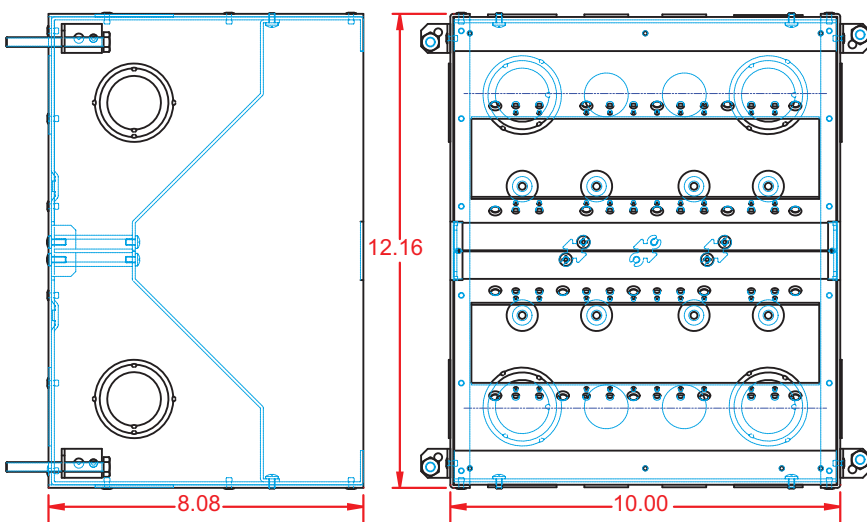


KNOCKOUT SPECIFICATIONS

FL-500P-5 & FL-500P-6	
KO trade size	Qty/Box
3/4"	8
1.00" / 1-1/4" / 1-1/2" Concentric	12



FL-500P-8-B 8" Deep



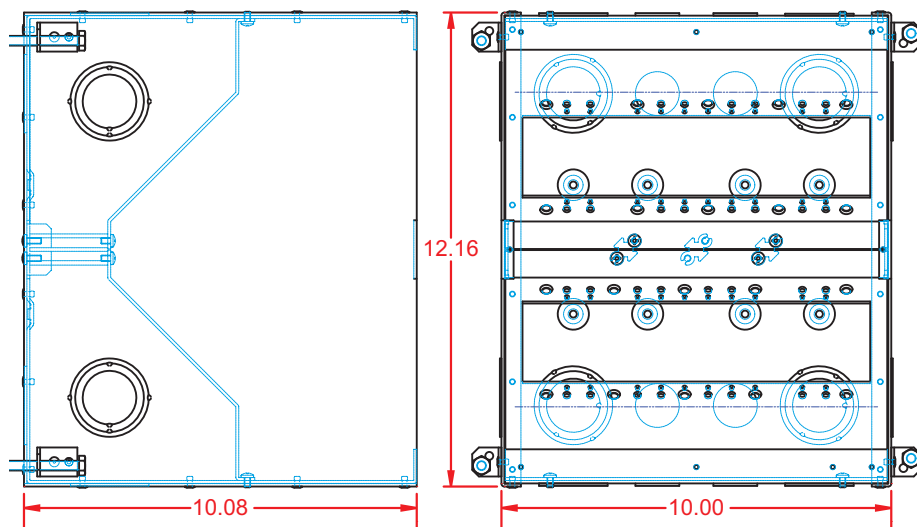
KNOCKOUT SPECIFICATIONS

FL-500P-8	
KO trade size	Qty/Box
3/4"	8
1.00" / 1-1/4" / 1-1/2" Concentric	12



BOX BOTTOM DETAIL DRAWINGS 4" THRU 10" (CONT'D)

FL-500P-10-B 10" Deep



KNOCKOUT SPECIFICATIONS

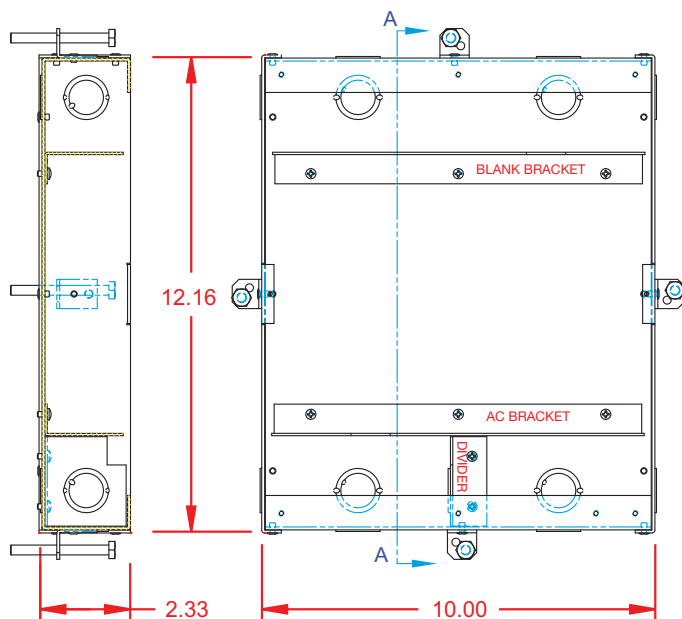
FL-500P-10	
KO trade size	Qty/Box
3/4"	8
1.00" / 1-1/4" / 1-1/2" Concentric	12



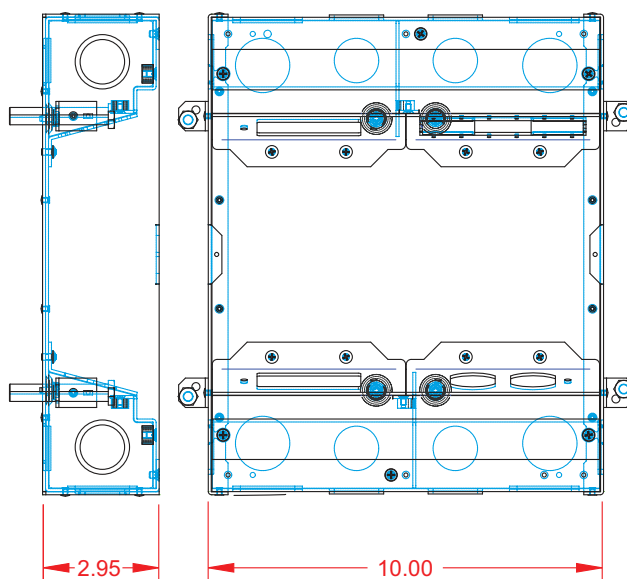
BOX BOTTOM DETAIL DRAWINGS 2.5" THRU 3"

FL-500P-2.25-B 2.25" Deep

Non-UL



FL-500P-3-B 3" Deep



KNOCKOUT SPECIFICATIONS

FL-500P-2.25	
KO trade size	Qty/Box
1/2" / 3/4" Concentric	12

* Optional brackets available for these box bottoms.
See the ordering table for more information.

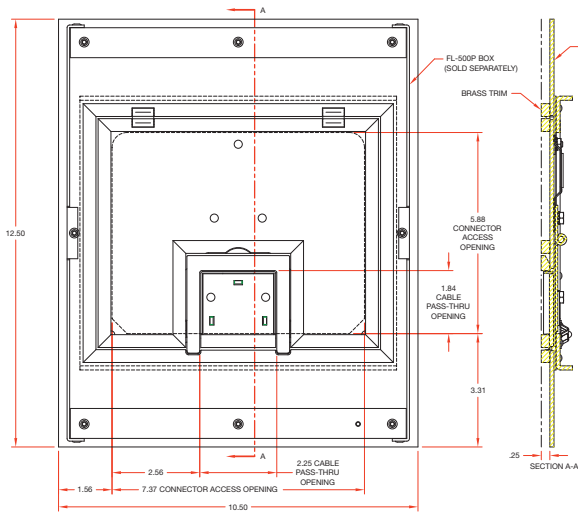
KNOCKOUT SPECIFICATIONS

FL-500P-3	
KO trade size	Qty/Box
3/4"	4
1"	4
3/4" / 1" Concentric	8
1" / 1-1/4" Concentric	4

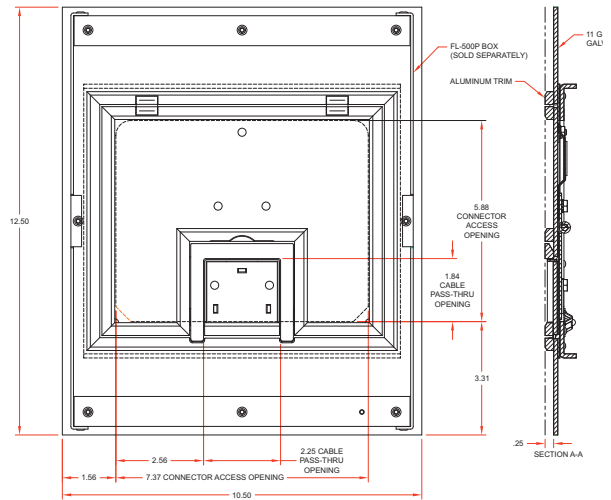
* Optional brackets available for these box bottoms.
See the ordering table for more information.

HINGED COVER DETAIL DRAWINGS

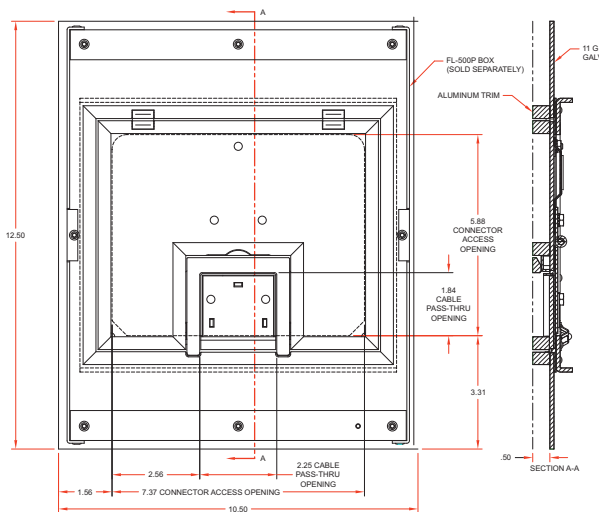
STYLE 1



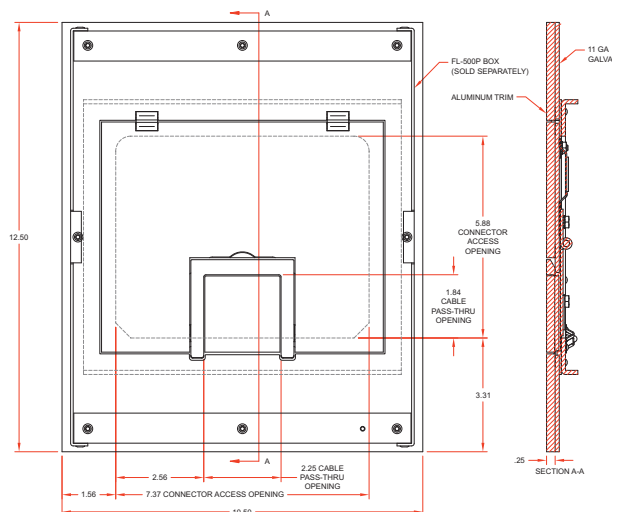
STYLE 2



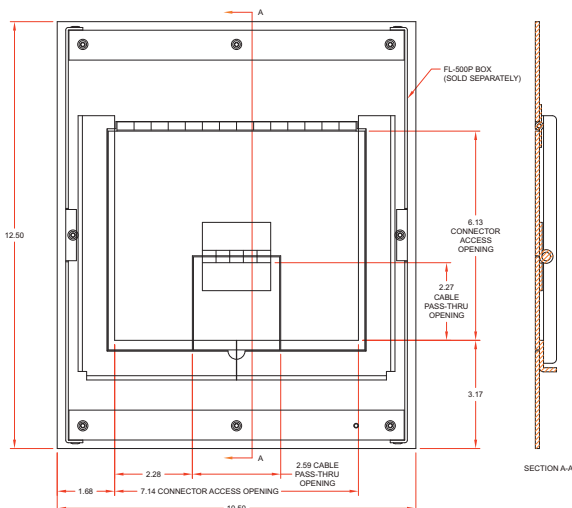
STYLE 3



STYLE 4



STYLE 5

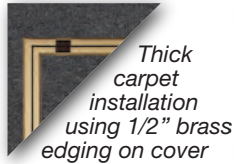


STYLE	DESCRIPTION
1	1/2" SQUARED FLANGE FOR CARPET OR TILE
2	1/4" SQUARED FLANGE FOR CARPET OR TILE
3	1/4" BEVELED FLANGE FOR CARPET
4	SOLID COVER, NO FLANGE**
5	SOLID COVER, NO FLANGE, PIANO HINGED

Additional Flange heights and colors are available. Consult factory.

**Note: Cover Shim Kit (FL-500-CSK) may be required to set the height of box "Pre-Pour" so the top of Finish Cover matches top of finished floor.

HINGE COVER OPTIONS



Available in brass, aluminum or painted edging to compliment floor covering.

See a larger view at bit.ly/1aKZzT6 or scan this QR Code



The new U-Access cover design features a handle to easily lift the cover. All corner fasteners have been removed.

Not all cover color options are pictured. See the ordering table below for additional options.

Floor Box Covers and box bottom ordering information

FL-500P - Requires ordering Cover and box bottom separately

Item#	Part #	Description	** Shim kits may be required.
UL Listed Scrub Water Rated for Tile and Carpet Installations – U-Access Covers			
18442	FL-500P-BLP-C	Hinged U-Access Cover With 1/4" Brass Carpet Flange *Max Static Load 1,300 lbs.	
18443	FL-500P-BSQ-C	Hinged U-Access Cover With 1/4" Square Brass Flange *Max Static Load 1,300 lbs.	
18444	FL-500P-B-C	Hinged U-Access Cover With 1/2" Brass Squared Flange *Max Static Load 1,500 lbs.	
18353	FL-500P-SLP-C	Hinged U-Access Cover With 1/4" Aluminum Carpet Flange *Max Static Load 1,300 lbs.	
18445	FL-500P-SSQ-C	Hinged U-Access Cover With 1/4" Square Aluminum Flange *Max Static Load 1,300 lbs.	
18446	FL-500P-S-C	Hinged U-Access Cover With 1/2" Aluminum Squared Flange *Max Static Load 1,500 lbs.	
18447	FL-500P-PLP-BLK-C	Hinged U-Access Cover with 1/4" Painted Carpet Flange Black *Max Static Load 1,300 lbs.	
17553	FL-500P-PLP-CLY-C Ltd. Stock	Hinged U-Access Cover with 1/4" Painted Carpet Flange - Clay *Max Static Load 1,300 lbs.	
18449	FL-500P-PLP-GRY-C	Hinged U-Access Cover with 1/4" Painted Carpet Flange - Gray *Max Static Load 1,300 lbs.	
UL Listed Scrub Water Rated - No Carpet Trim** – U-Access Covers			
18450	FL-500P-SLD-ALU-C	Hinged U-Access Aluminum Solid Cover w/ Cable Exit (No Trim) *Max Static Load 2,500 lbs.	
18451	FL-500P-SLD-BLK-C	Hinged U-Access Black Solid w/ Cable Exit (No Trim) *Max Static Load 2,500 lbs.	
17557	FL-500P-SLD-CLY-C Ltd. Stock	Hinged U-Access Cover Solid Cover w/ Cable Exit (No Trim) Clay *Max Static Load 2,500 lbs.	
18453	FL-500P-SLD-GRY-C	Hinged U-Access Gray Solid Hinged Cover w/ Cable Exit (No Trim) *Max Static Load 2,500 lbs.	
Flat Covers (No Flange) with Hinged Door			
15075	FL-500P-BLK-C	Piano Hinge Flat Black Wrinkle Powder Coat Cover (No Flange)	
18153	FL-500P-PTSLV	Piano Hinge Flat Cover Silver Paint	
15526	FL-500P-SS-C	Piano Hinge Flat Stainless Steel Cover (No Flange)	
16221	FL-500P-BRS	Piano Hinge Flat Cover Brass (No Flange)	
Box Bottom - UL Listed on 3" through 10" Depths - Includes Steel Construction Cover			
15357	FL-500P-2.25-B	FL-500P Box Bottom - 2.5" Deep (Different Internal Brackets) (Not UL)	
17282	FL-500P-3-B	FL-500P Box Bottom - 3" Deep 4 x 1 - Gang Areas	
10064	FL-500P-4-B	FL-500P Box Bottom - 4" Deep	
18078	FL-500P-5-B	FL-500P Box Bottom - 5" Deep	
10065	FL-500P-6-B	FL-500P Box Bottom - 6" Deep	
10066	FL-500P-8-B	FL-500P Box Bottom - 8" Deep	
15984	FL-500P-10-B	FL-500P Box Bottom - 10" Deep	
Optional Box Bottom Brackets			
55133	FL-500P-2.25-Decora	2 Decora Openings (No Divider) Replaces Blank Plate (2.25" Box Only)	
17298	FL-P3"-DECORA	Optional Bracket For FL-500P/600P 3" - Decora opening	
17299	FL-P3"-DUPLEX	Optional Bracket For FL-500P/600P 3" - Duplex opening	
17300	FL-P3"-6IPS	Optional Bracket For FL-500P/600P 3" - 6-IPS opening	
17301	FL-P3"-BLANK	Optional Bracket For FL-500P/600P 3" - Blank plate	
Optional Manufacturers Specific Mounting Brackets			
99509	MMS-FL500/540P-4	Crestron DM-TX-200-C-2G Wallplate Mounting Bracket w/Blank Plate (4" deep box only)	
Pour Pan Accessories			
16212	FL-GRD2	2" Grade Mounting Kit	
16213	FL-GRD4	4" Grade Mounting Kit	
Optional Shim Kit and Accessories**			
17804	FL-500P-CSK	Temporary and Final Cover Shim Kit	
17899	FL-500P-SF8-C	Cover Mounting Bracket Kit for SF8-CVR-xxx 8" Round cover (not included)	
18111	FL-500P-SF6-C	Cover Mounting Bracket for SF6-CVR-xxx 6" Round cover (not included)	
18667	FL-500P-DCIH	(2) Gang Plate Dust Covers For FL-500P	