

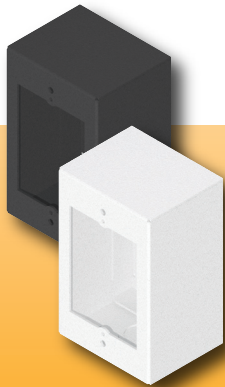
# SMWB Series

## Surface Mount Wall Box

# FSR

## Metal Products Group

SMWB Wall Boxes



SMWB-1G  
White or Black



SMWB-2G  
White or Black



SMWB-3G  
White or Black



SMWB-4G  
White or Black

### DESCRIPTION

FSR's SMWB series of surface mount wall boxes are designed for surface mounting of standard wall plates. They can be used to conveniently mount accessories for FSR or any other manufacturer's controls, switch panels, keypads and IPS wall plates. Rugged construction make these boxes ideal for indoor commercial and industrial applications. Available in 1,2,3,and 4 gang models to satisfy most applications.

Mounting holes allow for fixed mounting on virtually any wall surface so the accessory plates are easily accessed. The four models are available in textured black or white paint. Standard concentric knockouts facilitate convenient wiring and installation.

### FEATURES

- 16-gauge galvanized steel construction
- Black or White textured paint
- Convenient surface mounting
- Compatible with most standard gang components, plates and covers
- Two 1/2-3/4" Concentric knockouts for conduit

### APPLICATIONS

- Schools
- Hotels
- Conference Centers
- Airports
- Arenas
- Houses of Worship

### ORDERING INFORMATION

| Item# | Part #      | Description                           |
|-------|-------------|---------------------------------------|
| 17185 | SMWB-1G-WHT | 1 Gang Surface Mount Gang Box - White |
| 17186 | SMWB-1G-BLK | 1 Gang Surface Mount Gang Box - Black |
| 17187 | SMWB-2G-WHT | 2 Gang Surface Mount Gang Box - White |
| 17188 | SMWB-2G-BLK | 2 Gang Surface Mount Gang Box - Black |
| 17189 | SMWB-3G-WHT | 3 Gang Surface Mount Gang Box - White |
| 17190 | SMWB-3G-BLK | 3 Gang Surface Mount Gang Box - Black |
| 17191 | SMWB-4G-WHT | 4 Gang Surface Mount Gang Box - White |
| 17192 | SMWB-4G-BLK | 4 Gang Surface Mount Gang Box - Black |

### FSR Inc.

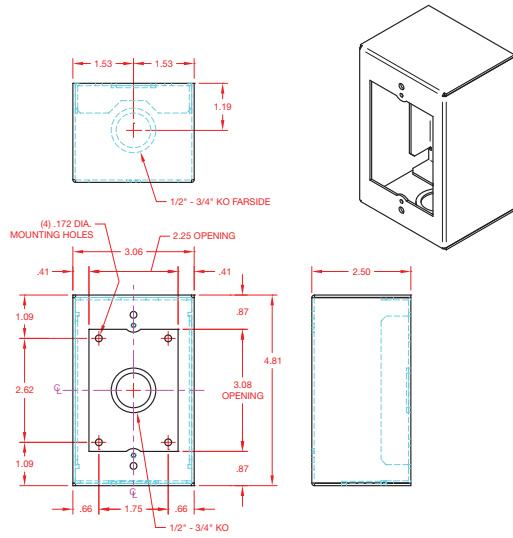
244 Bergen Boulevard, Woodland Park, NJ 07424  
 Phone: 973.998.2300 · Fax: 973.785.4207  
 Web: [www.fsrinc.com](http://www.fsrinc.com) · E-mail: [sales@fsrinc.com](mailto:sales@fsrinc.com)  
 Order Desk: 1-800-332-FSR1

LIT1351A

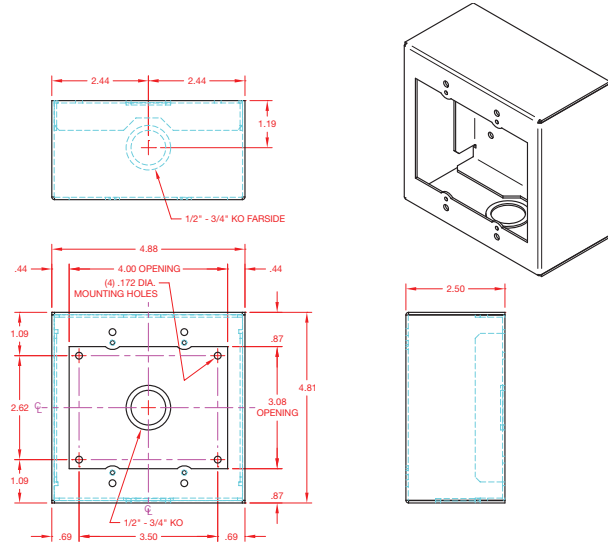
Objects pictured are not to scale.

# SMWB DIMENSIONS

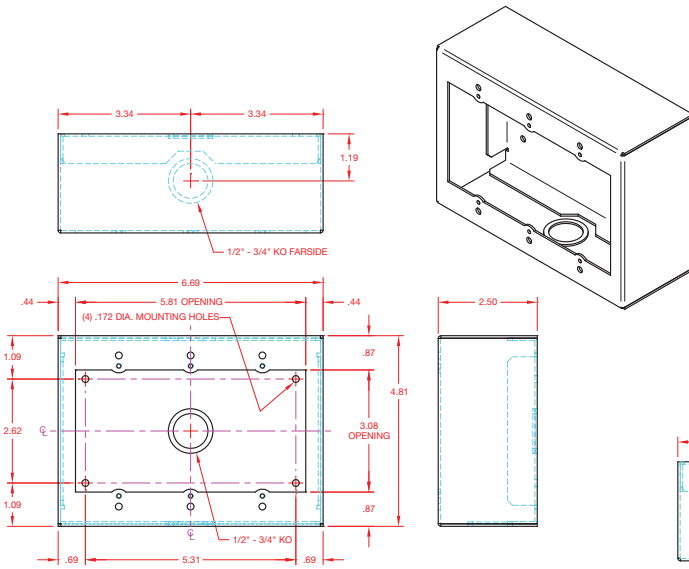
## SMWB-1G



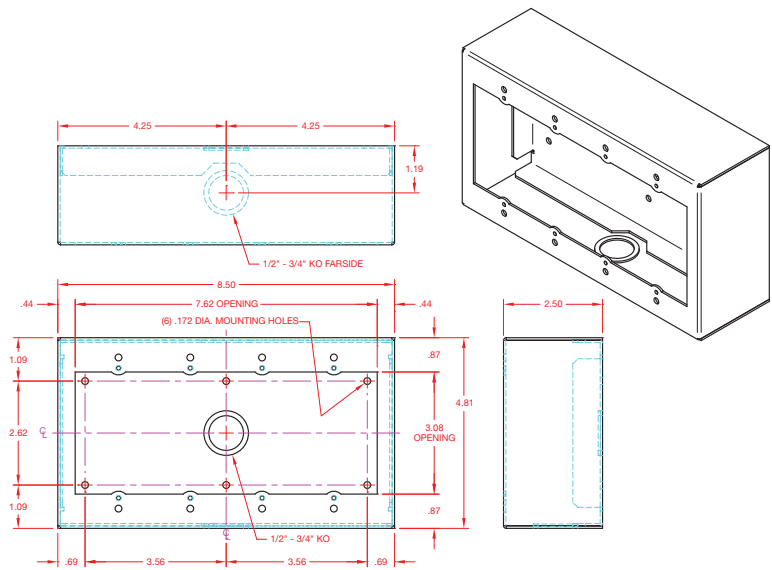
## SMWB-2G



## SMWB-3G



## SMWB-4G



Specifications are subject to change without notice.



244 Bergen Boulevard, Woodland Park, NJ 07424  
 Phone: 973.998.2300 · Fax: 973.785.4207  
 Web: [www.fsrinc.com](http://www.fsrinc.com) · E-mail: [sales@fsrinc.com](mailto:sales@fsrinc.com)

