

FL-xxx-SF6-C/SF8-C COVER MOUNTING KITS

...makes square floor boxes go round!

FSR

Metal Products Group

FL-xxx-SF6-C/SF8-C



DESCRIPTION

The FL-xxx-SF6 and FL-xxx-SF8 cover mounting kits allow the FSR SmartFit SF6 and SF8 round covers to be installed on any 3", 4", 5", 6", 8" or 10" deep back box for the FL-500P, FL-540P, FL-600P or FL-640P floor box. The kit consists of a mounting plate with a 6" or 8" hole

and three mounting clips to affix the SF6 or SF8 cover. Both the SF6 and SF8 covers are available in three finishes; Brass, Aluminum or Black. When ordering, simply specify box model, desired cover finish and appropriate cover mounting kit. To order a back box with cover and bracket kit see the ordering table below.



Works with
FL-500P



Works with
FL-540P



Works with
FL-600P



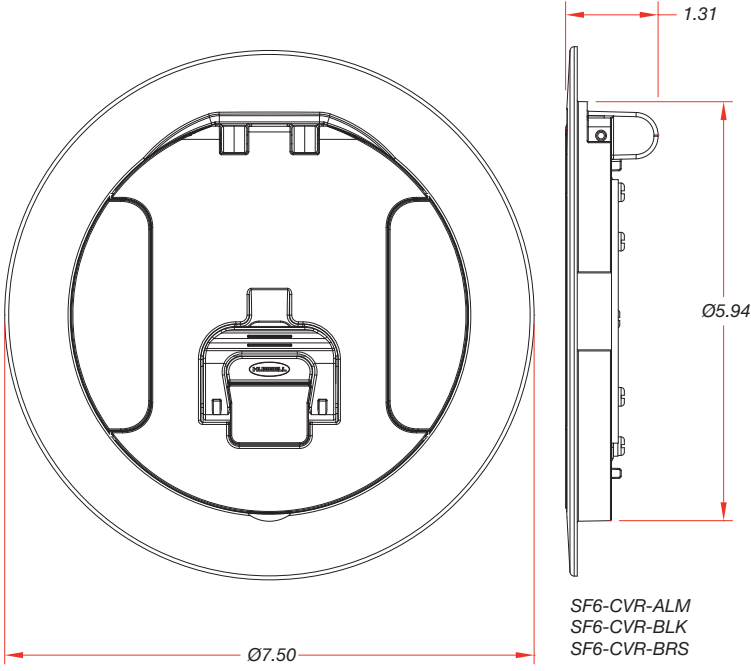
Works with
FL-640P

FSR Inc.

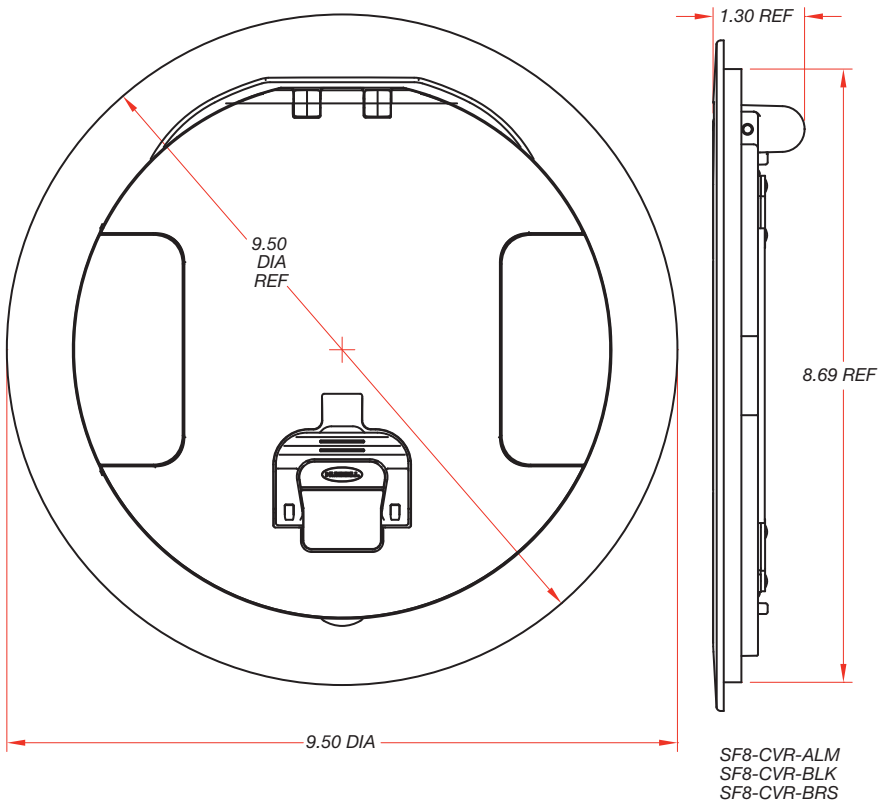
244 Bergen Boulevard
Woodland Park, NJ 07424
Phone: 973.998.2300 · Fax: 973.785.4207
Web: www.fsrinc.com · E-mail: sales@fsrinc.com
Order Desk: 1-800-332-FSR1 LIT1593C

DIMENSIONS

SF6 Cover Dimensions

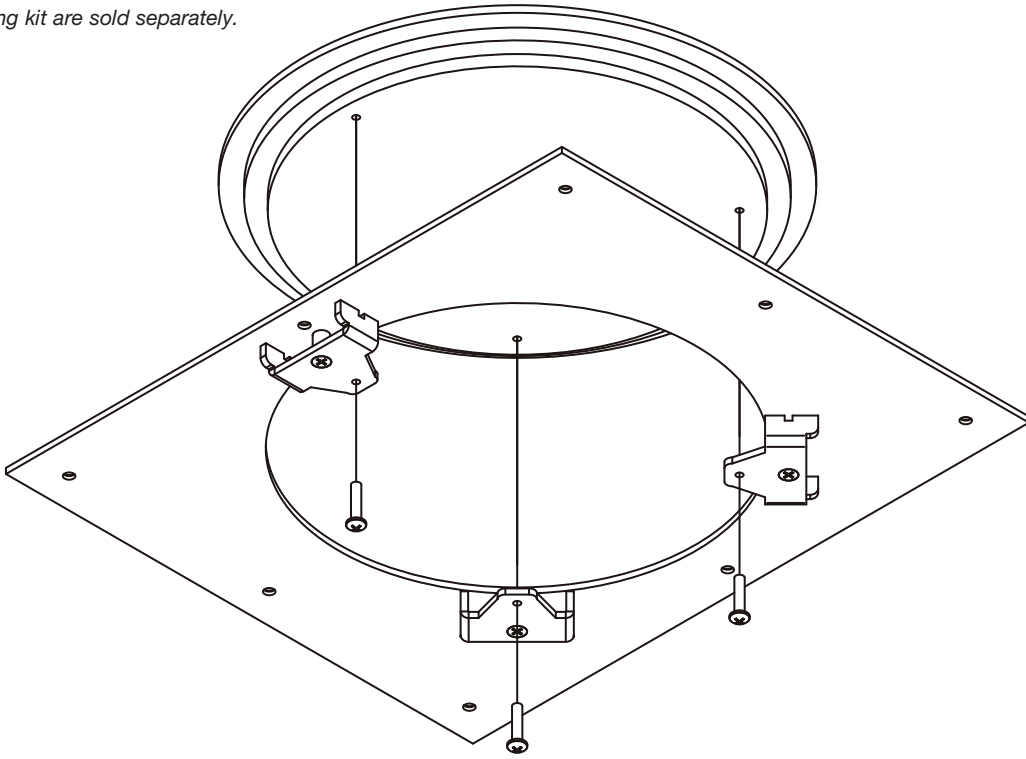


SF8 Cover Dimensions



COVER MOUNT ASSEMBLY

*Cover and mounting kit are sold separately.



ORDERING INFORMATION

Select Back Box Model and Depth

FL-500P		
17282	FL-500P-3-B	FL-500P Back Box - 3" Deep
10064	FL-500P-4-B	FL-500P Back Box - 4" Deep
18078	FL-500P-5-B	FL-500P Back Box - 5" Deep
10065	FL-500P-6-B	FL-500P Back Box - 6" Deep
10066	FL-500P-8-B	FL-500P Back Box - 8" Deep
15984	FL-500P-10-B	FL-500P Back Box - 10" Deep
FL-540P		
12500	FL-540P-4-B	FL-540P Back Box - 4" Deep
18079	FL-540P-5-B	FL-540P Back Box - 5" Deep
12505	FL-540P-6-B	FL-540P Back Box - 6" Deep
17170	FL-540P-8-B	FL-540P Back Box - 8" Deep
16704	FL-540P-10-B	FL-540P Back Box - 10" Deep
FL-600P		
17283	FL-600P-3-B	FL-600P Back Box - 3" Deep
15476	FL-600P-4-B	FL-600P Back Box - 4" Deep
18080	FL-600P-5-B	FL-600P Back Box - 5" Deep
15475	FL-600P-6-B	FL-600P Back Box - 6" Deep
17118	FL-600P-8-B	FL-600P Back Box - 8" Deep
17182	FL-600P-10-B	FL-600P Back Box - 10" Deep
FL-640P		
15527	FL-640P-4-B	FL-640P Back Box - 4" Deep
18081	FL-640P-5-B	FL-640P Back Box - 5" Deep
15528	FL-640P-6-B	FL-640P Back Box - 6" Deep
17171	FL-640P-8-B	FL-640P Back Box - 8" Deep
17178	FL-640P-10-B	FL-640P Back Box - 10" Deep

Select SF6 Cover

17408	SF6-CVR-ALM	Aluminum Cover
17409	SF6-CVR-BLK	Black Cover
17410	SF6-CVR-BRS	Brass Cover
17441	SF6-FFCVR-ALM	Furniture Feed Cover - Aluminum
17442	SF6-FFCVR-BLK	Furniture Feed Cover - Black
17443	SF6-FFCVR-BRS	Furniture Feed Cover - Brass

Or Select SF8 Cover

17378	SF8-CVR-ALM	Aluminum Cover
17379	SF8-CVR-BLK	Black Cover
17380	SF8-CVR-BRS	Brass Cover

Select FL-xxx-SF8-C Cover Mounting Kit (for specified box size needed)

17899	FL-500P-SF8-C	Bracket Cover Mounting kit for FL-500P box (Cover sold separately)
17900	FL-540P-SF8-C	Bracket Cover Mounting kit for FL-540P box (Cover sold separately)
17901	FL-600P-SF8-C	Bracket Cover Mounting kit for FL-600P box (Cover sold separately)
17902	FL-640P-SF8-C	Bracket Cover Mounting kit for FL-640P box (Cover sold separately)

Select FL-500P-SF6-C Cover Mounting Kit

18111	FL-500P-SF6-C	Bracket Cover Mounting kit for FL-500P box (Cover sold separately)
-------	---------------	--------------------------------------------------------------------

FSR Inc.

244 Bergen Boulevard
 Woodland Park, NJ 07424
 Phone: 973.998.2300 · Fax: 973.785.4207
 Web: www.fsrinc.com · E-mail: sales@fsrinc.com
 Order Desk: 1-800-332-FSR1

