

Premier

Electrically operated projection screen with motor-in-roller

SUBMITTAL TECHNICAL INFO

Please check all appropriate selections and attach room schedule with verified dimensions.

Specifications

_____ (Qty.) Projection screens, size _____ h. x _____ w.,
Electrically operated, motorized, surface mounted, vertical roll up projection screen.

ELECTRIC OPERATOR: Tubular motor concealed inside screen roller tube.
Location: [Left hand: standard] [Right hand: As scheduled].

STANDARD MOTOR: Mounted inside screen roller on rubber isolation insulators.
Motor UL certified, rated 110-120V AC, 60 Hz, 1.1 Amp current draw. Three wire, instantly reversible, lifetime lubricated with pre-set accessible limit switches.

QUIET MOTOR: Mounted inside screen roller on rubber isolation insulators.
Motor operates at 44dB. UL certified, rated 110-120V AC, 60 Hz, three wire, instantly reversible, lifetime lubricated with pre-set accessible limit switches.

CASE: One-piece, 22-gauge steel with flat back design. Endcaps finished to match case, forming universal wall or ceiling hanging brackets. Case size 5 7/8" high x 5 1/4" deep (149mm high x 133mm deep).

FINISH: [Black (standard)] [White (optional)] scratch-resistant polyester finish.

ROLLER: 3" (76mm) dia. Metal roller, mounted on rubber insulated supports.

VIEWING SURFACE: Fire retardant and mildew resistant, with black masking borders. Each side of surface includes tab guide cable system to maintain even lateral tension and hold surface flat. Tabs are integrated into the cut of the screen material then electronically welded. Bottom of surface supported and masked by black, extruded aluminum dowel weighted to apply proper vertical tension. Top of surface masked by 12" (30cm) black drop. Matt White XT1000V and Grey XH600V viewing surfaces are certified to GREENGUARD Gold standards for low chemical emissions into indoor air during product usage. For more information, visit ul.com/gg.

CONTROL: 3-position control switch to stop or reverse screen at any point.
Switch complete with cover plate. Other control options available.

MOUNTING: [Wall/Ceiling (standard)]. Attachment hardware provided by installer.

OPTIONAL EXTENSION BRACKETS: Plastic brackets provide 6" (152mm) clearance from wall. Finish: [white] [black].

OPTIONAL FLOATING MOUNTING BRACKETS: For use when stud location is not convenient for built-in mounting brackets. Brackets mount to wall studs or other support structure. Screen case mounts to brackets with secure floating bands.



OPTIONAL CEILING OPENING TRIM KIT: Trims opening when screen is to be recessed above the ceiling. Aluminum with white finish.

Please Note: Ceiling Opening Trim Kit is for use in an acoustical, drop ceiling only. Not recommended for drywall or hard ceilings.

DOWNLOADABLE 3-PART SPECIFICATIONS: www.draperinc.com/documents.aspx.

Entire unit certified by Underwriters' Laboratories, Inc. for the U.S. and Canada.

Please note: Dimensions of rollers, operators, and hardware at manufacturer's discretion.

Select Case Color

- Black (standard) White (optional)

Optional Accessories

- Mounting Brackets
 - 6" (152mm) Extension Bracket
 - Black White
 - Floating Mounting Brackets (for wall & ceiling)
 - Black White
- Additional Drop _____
(Beyond standard 12" (30cm))
- Total Drop _____
(Standard 12" (30cm) + Additional drop)
 - Black (standard)
 - Same color as viewing surface
(Total screen height cannot exceed 12' (3.7m); extra drop increases length of case)
- Optional Ceiling Opening Trim Kit for Recessed Installations

Please Note: Draper® recommends 12" (30cm) extra drop when ordering Ceiling Opening Trim Kit. The Ceiling Opening Trim Kit is for use in an acoustical, drop ceiling only. Not recommended for drywall or hard ceilings.

Select Viewing Surface:

OptiFlex (Tensioned Screen Surface)

- Black Backed Matt White XT1000VB (1.0 gain)
(GREENGUARD Gold Certified)
- Grey XH600V (0.6 gain)
(GREENGUARD Gold Certified)
- Pure White XT1300V (1.3 gain)



CineFlex (Rear Projection Tensioned Surface)

- CineFlex CH1200 (1.2 gain)
- CineFlex White XT700V (0.7 gain)
- Other: _____

ClearSound (Acoustically Transparent)

- ClearSound NanoPerf XT1000V (1.0 gain)
- Other: _____

TECVISION® Premium Optical Surface

- XH700X Grey (0.7 gain) Certified
- XH800X UST ALR (0.8 gain) Certified
- XH900X ALR (0.9 gain) Certified
- MS1000X ALR (1.0 gain) Certified
- CS1000X ALR (1.0 gain) Certified
- CS1200X ALR (1.2 gain) Certified
- XT1000X White (1.0 gain) Certified
- XT1100X White (1.1 gain) Certified
- XT1300X White (1.3 gain) Certified
- XT1600X White (1.6 gain) Certified
- XT1800X White (1.8 gain) Certified
- XH700X Grey NanoPerf (0.7 gain) Certified
- XH900X ALR NanoPerf (0.9 gain) Certified
- MS1000X ALR NanoPerf (1.0 gain) Certified
- XT1000X White NanoPerf (1.0 gain) Certified
- XT1100X White NanoPerf (1.1 gain) Certified
- XT1300X White NanoPerf (1.3 gain) Certified
- XT1600X White NanoPerf (1.6 gain) Certified
- XT1800X White NanoPerf (1.8 gain) Certified
- CS1000X ALR NanoPerf (1.0 gain) Certified
- CS1200X ALR NanoPerf (1.2 gain) Certified



Draper, Inc. | 411 S. Pearl St. Spiceland, IN 47385
draperinc.com | 765.987.7999 | 800.238.7999
© 2021 All Rights Reserved | FORM: Premier_Sub20-R

PROJECT: _____

ARCHITECT: _____

CONTRACTOR: _____

SUPPLIER: _____

DATE: _____ REVISED: _____

Select Motors and Controls:

Standard Voltage Motor and Control Options:

- 110-120V AC (standard)
- Optional Quiet Motor¹
- Optional 220V motor
- Optional 220V Quiet Motor

Please Note: These motors come with one 110V-120V AC 3-position wall switch (silver wall plate with black rocker).

- Single Station Wall Switch (standard)
- Substitute white switch(es) for silver wall plate with black rocker
- Optional Key Operated Switch
 - Power Supply Key Switch (on-off)
 - 3-Position Key Control
 - 3-Position Switch with Hinged Key-Locking Coverplate

Please Note: Do not wire motors in parallel.

Please Note: Additional information about wiring is available on installation instructions for this product.

Low-Voltage Control Options:

- Internal LVC-IV (Low-Voltage Control Module)
- External LVC-IV (Low-Voltage Control Module)
- Motor with Built-in Low-Voltage Controller (ILT motor)
 - Plug & Play option
- Quiet motor with Low-Voltage Controller (Quiet ILT)²
 - Plug & Play option

Please Note: Select Control Options for Low-Voltage from below.

- 24 Volt 3-Button Switch (standard) Number of switches: _____
- Radio Frequency Remote Control (only with 24V)
- Infrared Remote Control (only with 24V)
- Optional Key Operated Switch
 - Power Supply Key Switch (on-off)
 - 24 Volt 3-Button Switch with Hinged Key-Locking Coverplate Number of switches: _____

¹ Quiet Motor Size Limitations

OPT/VIEW SURFACES:	AV	NTSC	HDTV	16:10
	144" x 144"	200"	184"	189"

² Quiet Motor w/ Internal LVC Size Limitations

OPT/VIEW SURFACES:	AV	NTSC	HDTV	16:10
	108" x 144"	180"	184"	165"

Dimensions & Data

NOMINAL DIAGONAL	IMAGE AREA [HXW]	CASE LENGTH	DOWEL LENGTH	NET WT.	QTY
16:10 Format					
67" (170.2cm)	35½" x 56½" (89.5cm x 143.6cm)	72½" (184.2cm)	66 ¾" (168.6cm)	34 lb (15.4kg)	
76" ³ (193cm)	40" x 64" (101.6cm x 162.6cm)	81" (205.7cm)	74 ¾" (190.2)	36 lb (16.3kg)	
85" (215.9cm) ³	45" x 72" (114.3cm x 182.9cm)	89" (226.1cm)	82 ¾" (210.5)	38 lb (17.2kg)	
94" (238.7cm) ³	50" x 80" (127cm x 203.2cm)	97" (246.4cm)	90 ¾" (230.8cm)	50 lb (22.7kg)	
109" (276.9cm) ³	57½" x 92" (146cm x 233.7cm)	110" (279.4cm)	103 ¾" (263.8cm)	58 lb (26.3kg)	
113" ³ (287cm)	60" x 96" (152.4cm x 243.8cm)	113 ¾" (289.2cm)	107 ¾" (273.7cm)	60 lb (27.2kg)	
123" (312.4cm)	65" x 104" (165.1cm x 264.2cm)	122" (310cm)	115 ¾" (294.3cm)	65 lb (29.5kg)	
137" (348cm)	72½" x 116" (184.2cm x 294.6cm)	135" (342.9cm)	128 ¾" (327.3cm)	75 lb (34kg)	
165" (419.1cm)	87½" x 140" (222.2cm x 355.6cm)	160½" (407.7cm)	154 ¾" (392.1cm)	80 lb (36.3kg)	

Custom Size

--	--	--	--	--	--

NOMINAL DIAGONAL	IMAGE AREA [HXW]	CASE LENGTH	DOWEL LENGTH	NET WT.	QTY
16:9 HDTV Format					
65" (165.1cm)	31¾" x 56½" (80.6cm x 143.5cm)	72½" (184.2cm)	66 ¾" (168.6cm)	34 lb (15.4kg)	
73" (185.4cm) ³	36" x 64" (91.4cm x 162.6cm)	80" (203.2cm)	73 ¾" (187.6cm)	36 lb (16.3kg)	
82" (208.3cm) ³	40½" x 72" (102.9cm x 182.9cm)	89" (226.1cm)	82 ¾" (210.5)	38 lb (17.2kg)	
92" (233.7cm) ³	45" x 80" (114.3cm x 203.2cm)	97" (247.7cm)	90 ¾" (230.8cm)	50 lb (22.7kg)	
100" (254cm) ³	49" x 87" (124.5cm x 221cm)	104" (264.2cm)	97 ¾" (248.6cm)	57 (25.9kg)	
106" (269.2cm) ³	52" x 92" (132.1cm x 233.7cm)	110" (279.4cm)	102 ¾" (261.3cm)	58 lb (26.3kg)	
110" (279.4cm) ³	54" x 96" (137.2cm x 243.8cm)	114" (289.6cm)	107 ¾" (274cm)	60 lb (27.2kg)	
119" (302.3cm)	58" x 104" (147.3cm x 264.2cm)	122" (310cm)	115 ¾" (294.3cm)	65 lb (29.5kg)	
133" (337.8cm)	65" x 116" (165.1cm x 294.6cm)	135" (342.9cm)	127 ¾" (324.8cm)	75 lb (34kg)	
161" (408.9cm)	79" x 140" (200.7cm x 355.6cm)	160¼" (407cm)	152 ¾" (388.3cm)	80 lb (36.3kg)	

Custom Size

--	--	--	--	--	--

NOMINAL DIAGONAL	IMAGE AREA [HXW]	CASE LENGTH	DOWEL LENGTH	NET WT.	QTY
4:3 NTSC Video Format					
6" (182.9cm)	42½" x 56½" (108cm x 143.5cm)	74" (188cm)	67 ¾" (171.1cm)	35 lb (15.9kg)	
7" (213.4cm)	50" x 66½" (127cm x 168.9cm)	84¼" (214cm)	77 ¾" (196.5cm)	40 lb (18.7kg)	
100" (254cm)	60" x 80" (152.4cm x 203.2cm)	97¾" (248.3cm)	91 ¾" (233.4cm)	50 lb (22.7kg)	
10' (304.8cm)	72" x 96" (182.9cm x 243.8cm)	115" (292.1cm)	108 ¾" (276.2cm)	55 lb (24.9kg)	
11" (335.3cm)	78" x 104" (198.1cm x 264.2cm)	124¼" (315.6cm)	116 ¾" (296.9cm)	65 lb (29.5kg)	
150" (381cm)	87" x 116" (221cm x 294.6cm)	136¼" (346.7cm)	130 ¾" (331.2cm)	78 lb (35.4kg)	
15" (457.2cm)	108" x 144" (271.4cm x 365.8cm)	165¾" (421cm)	158¾" (403.2cm)	90 lb (40.8kg)	
200" (508cm)	118" x 158" (299.7cm x 401.3cm)	180¾" (459.1cm)	174 ¾" (443.5cm)	95 lb (43.1kg)	

Custom Size

--	--	--	--	--	--

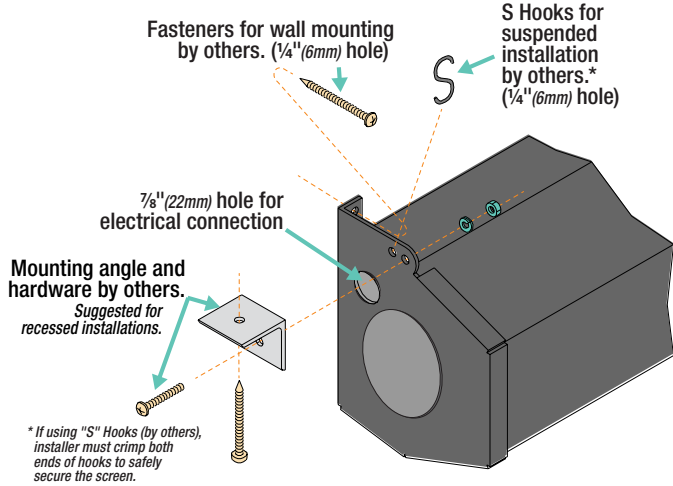
SIZE [H X W]	CASE LENGTH	DOWEL LENGTH	NET WT.	QTY
AV Format				
50" x 50" (127cm x 127cm)	68" (172.72cm)	60 ¾" (154.6cm)	30 lb (59kg)	
60" x 60" (152.4cm x 152.4cm)	78¾" (200cm)	71 ¾" (182.6cm)	35 lb (15.9kg)	
70" x 70" (177.8cm x 177.8cm)	89" (226.1cm)	82 ¾" (210.5cm)	40 lb (18.7kg)	
84" x 84" (213.4cm x 213.4cm)	104¼" (264.8cm)	96 ¾" (246.1cm)	50 lb (22.7kg)	
72" x 96" (182.9cm x 243.8cm)	115" (292.1cm)	108 ¾" (276.5cm)	55 lb (24.9kg)	
96" x 96" (243.8cm x 243.8cm)	117¾" (299.1cm)	110 ¾" (280.4cm)	60 lb (27.2kg)	
7' x 9' (213.4cm x 274.3cm)	128¼" (325.8cm)	120 ¾" (307cm)	70 lb (31.8kg)	
9' x 9' (274.3cm x 274.3cm)	129¾" (329.6cm)	122 ¾" (312.1cm)	75 lb (34kg)	
8' x 10' (243.8cm x 304.8cm)	141¾" (360cm)	134 ¾" (341.3cm)	80 lb (36.3kg)	
10' x 10' (304.8cm x 304.8cm)	143½" (364.5cm)	136 ¾" (347cm)	85 lb (38.6kg)	
9' x 12' (274.3cm x 365.8cm)	165¾" (421cm)	158 ¾" (403.5cm)	90 lb (40.8kg)	
12' x 12' (365.8cm x 365.8cm)	171½" (435.6cm)	162 ¾" (412.4cm)	100 lb (kg)	

Custom Size

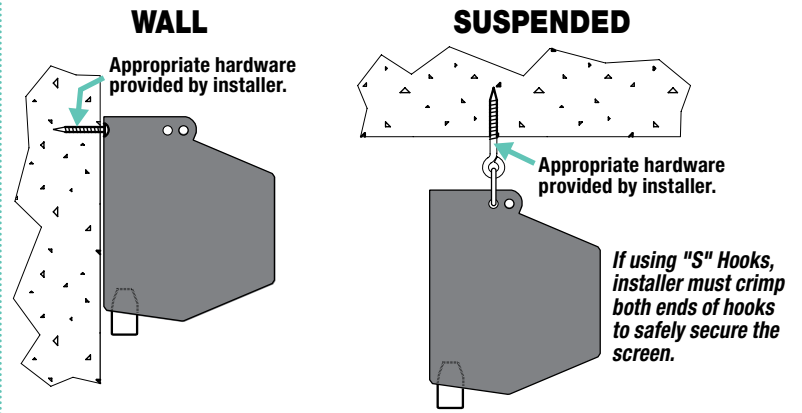
--	--	--	--	--

³ These sizes include 12" (30cm) black drop as standard. Premier screens are available in larger sizes. See PremierXL submittal form.

Methods of Installation

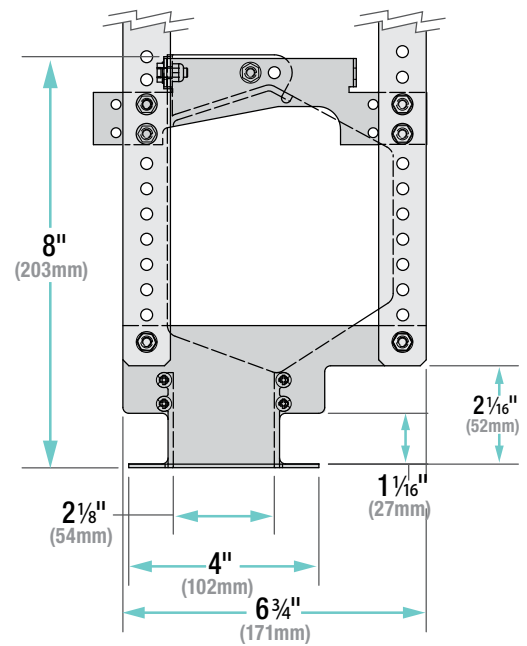
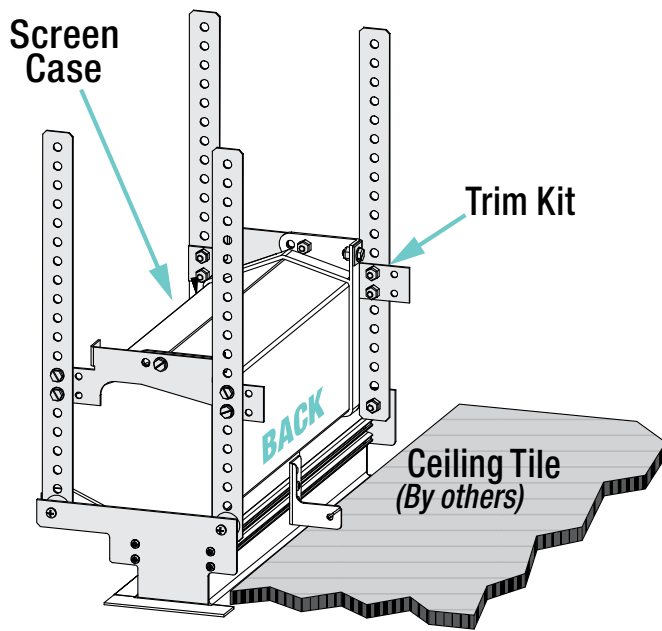


Types of Installation

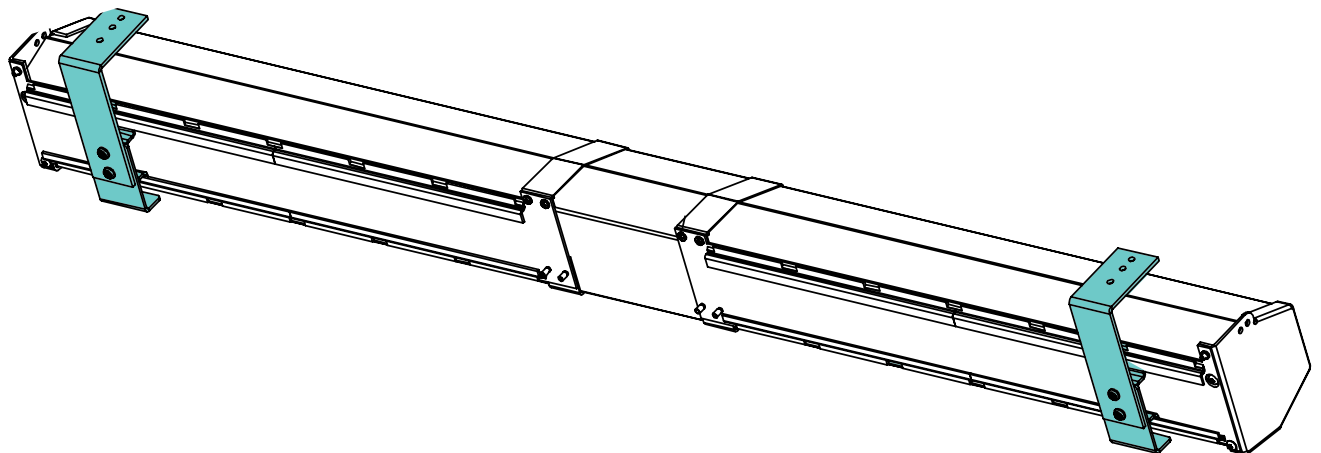


Please Note: If using "S" Hooks, installer must crimp both ends of the "S" hooks to safely secure the screen.

Optional Ceiling Opening Trim Kit



Optional Floating Mounting Bracket



Case Dimensions

PLEASE NOTE: Internal LVC-IV will increase overall case length by 1 13/16" (46mm).

