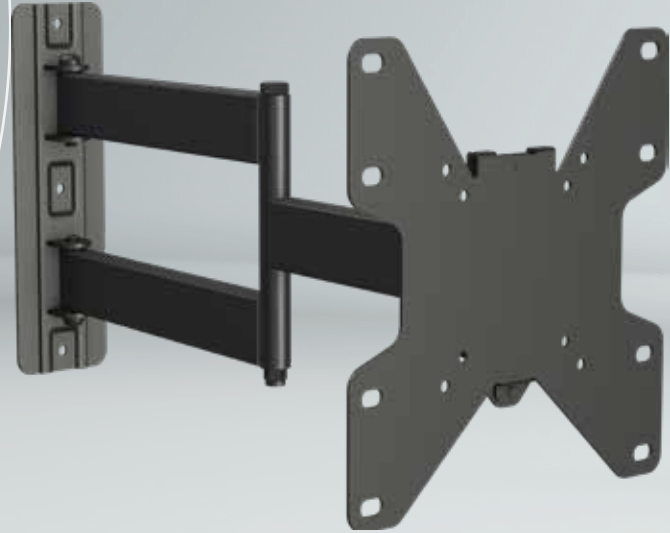


# A42M Full Motion Articulating Wall Mount

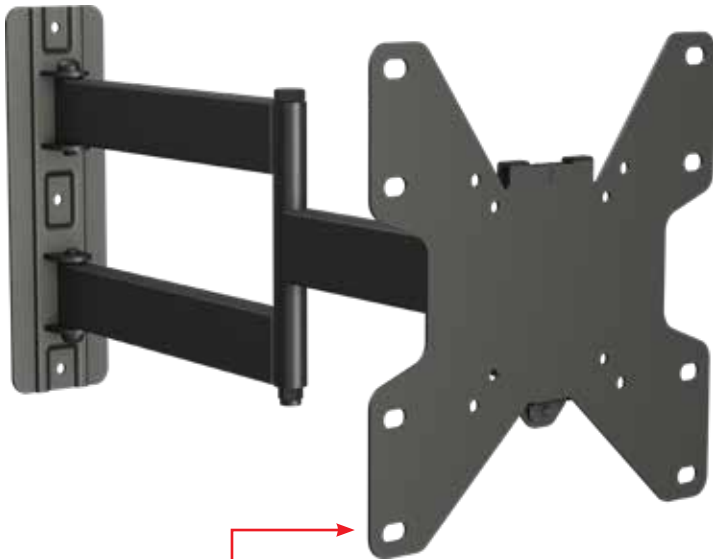
## For 13-49" Displays

### Best In Class Articulating Wall Mount Solution

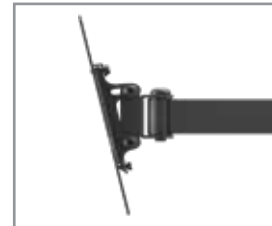
- Constructed from High Grade Cold Rolled Steel
- VESA compatible 100x100mm, 200x100mm, 200x200mm
- Optional AD400 extends compatibility up to 400x400mm
- Multiple attachment points for different mounting surfaces offers additional safety
- +/- 3° of roll for post-installation leveling
- Smooth variable tilt from 10° forward to 2° back
- ADA Compliant for displays with depth of 2" or less



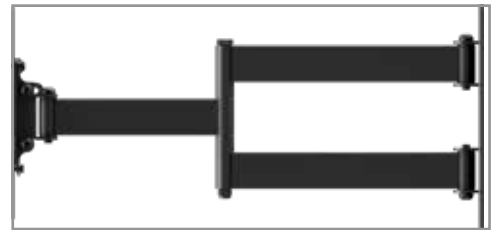
Model	Display Size	Max VESA	Total Load
A42M	13" - 49"	200 x200mm	80lb



**VESA Compatible**  
Fits VESA hole patterns 75x75mm,  
100x100mm, 200x100 and 200x200mm.



**Tilt**  
Pre-tensioned tilt mechanism allows 10° forward and 2° backward tilt for optimal viewing angles.



**Full Range of Motion**  
3 point joints for variable viewing angles.

# A42M Full Motion Articulating Wall Mount

For 13-49" displays

1-866-MOUNT-TV  
www.crimsonav.com



Articulating mount for 13" to 49" displays. Multiple joint arm holds display 1.9" from wall when retracted and 21" when fully extended. Smooth tilt adjustments of +10° (forward) and -2° (back) and 3° side-to-side roll facilitates a variety of viewing angles and perfect positioning. Three attachment points for wood studs and concrete walls provide additional security. Optional cable management for clean look.

Attribute	Value
Display size	13" - 49"
Weight capacity	80lb (36kg)
Max mounting pattern	200x200mm
Pivot	180°
Tilt	+10°/-2°
Depth from wall	1.9" (46.26mm)
Max extension	21" (533mm)
Construction	High-grade cold rolled steel
Product weight	9.0lb (4.1kg)
Product finish	Scratch resistant epoxy powder coat
Color	Black
Model number	A42M
Warranty	Limited lifetime

Maximum load rating: 80 lbs

