

## **3.5 type SAS Hard Disk Drives**

---

**MG09SCA18T A/E/AY/EY**

**MG09SCA16T A/E/AY/EY**

**MG09SCA14T A/E/AY/EY**

**MG09SCA12T A/E/AY/EY**

**MG09SCA10T A/E/AY/EY**

**MG09SCP18T A/E**

**MG09SCP16T A/E**

**MG09SCP14T A/E**

**MG09SCP12T A/E**

**MG09SCP10T A/E**

---

## **Product Specification**

**Toshiba Electronic Devices &  
Storage Corporation**

---

No.

**4 4 0 0 8 2 1 0 2**

---

TOTAL 106 CONT.ON 2 PAGE No. 1

---

**Revision History**

TITLE : 3.5 type SAS Hard Disk Drives MG09SCA18T A/E/AY/EY-MG09SCA16T A/E/AY/EY-MG09SCA14T A/E/AY/EY-MG09SCA12T A/E/AY/EY-MG09SCA10T A/E/AY/EY-MG09SCP18T A/E-MG09SCP16T A/E-MG09SCP14T A/E-MG09SCP12T A/E-MG09SCP10T A/E Product Specification						
REV No	DATE	CONTENTS	DEP.	REVISED	APP'D	STGE. PER.
00	2020-12-18	Initial issue	HDGI	S.Nakano	T.Iwamoto	-
01	2021-06-24	Table 2.5 on page 28 was updated.	HDGI	S.Nakano	S.Kurosawa	-
02	2021-12-07	(1) Page 1-3, 9, 19, 26-27; 46-47, 54 The following 18 models were added. -MG09SCA 14T/12T/10T A/E/AY/EY (12 models) -MG09SCP 14T/12T/10T A/E (6 models) (2) Page 10; The applied standard of RoHS category on CE marking was revised from EN5081 to EN IEC 63000. In addition, a description about UKCA Marking was added. (3) Page 31-32; Table 2.6 and 2.7 were added. (4) Page 33-34; Current waveforms observed in MG09SCA 14T/12T/10T were added.	HDGI	S.Nakano	S.Kurosawa	-

## Preface

This document describes the 7200 rpm MG09SCA18TA / MG09SCA16TA / MG09SCA14TA / MG09SCA12TA / MG09SCA10TA / MG09SCA18TE / MG09SCA16TE / MG09SCA14TE / MG09SCA12TE / MG09SCA10TE / MG09SCA18TAY / MG09SCA16TAY / MG09SCA14TAY / MG09SCA12TAY / MG09SCA10TAY / MG09SCA18TEY / MG09SCA16TEY / MG09SCA14TEY / MG09SCA12TEY / MG09SCA10TEY / MG09SCP18TA / MG09SCP16TA / MG09SCP14TA / MG09SCP12TA / MG09SCP10TA / MG09SCP18TE / MG09SCP16TE / MG09SCP14TE / MG09SCP12TE / MG09SCP10TE 3.5 type hard disk drives with an embedded Serial Attached SCSI (SAS).

This document details the specifications and functions of the above hard disk drive, and gives the requirements and procedures for installing it into a host computer system.

This document is written for users who have a basic understanding of hard disk drives and their use in computer systems. The DOCUMENT ORGANIZATION section describes organization and scope of this document. The need arises, use the other manuals.

The organization of this document, related reference document and conventions for alert messages follow.

## Overview of Document

This document consists of the following seven chapters:

### **Chapter 1          General Description**

This chapter introduces the hard disk drives standard features, hardware, and system configuration.

### **Chapter 2          Specifications**

This chapter gives detailed specifications of the hard disk drives and the installation environment.

### **Chapter 3          Data Format**

This chapter describes the data structure, the addressing method, and the defect management.

### **Chapter 4          Installation Requirements**

This chapter describes the basic physical and electrical requirements for installing the hard disk drives.

### **Chapter 5          Installation**

This chapter explains how to install the hard disk drives. It includes the notice and procedures for setting device number and operation modes, mounting the hard disk drive, and confirming drive operation.

### **Chapter 6          Diagnostics and Maintenance**

This chapter describes the automatic diagnosis, and maintenance of the hard disk drive. This chapter also describes diagnostic methods for operation check and the basics of troubleshooting the hard disk drives.

### **Chapter 7          Error Analysis**

This chapter describes in details how collect the information for error analysis and how analyze collected error information.

## Conventions Used in this Document

The MG09SCA series and MG09SCP series are described as "the HDD" in this document.

Decimal number is represented normally.

Hexadecimal number is represented as X'17B9', 17B9h or 17B9H.




Binary number is represented as "010".

Toshiba Electronic Devices & Storage Corporation and its subsidiaries and affiliates are hereinafter called "TDSC".

## Safety Precautions

This section lists important precautions which users of our product(s) (and anyone else) should observe in order to avoid injury to human body and damage to property, and to ensure safe and correct use of our products. Please be sure that you understand the meanings of the labels and graphic symbols described below before you move on to the detailed descriptions of the precautions, and comply with the precautions stated.

### Explanation of Labels



 <b>DANGER</b>	 <b>WARNING</b>	 <b>CAUTION</b>	<b>NOTICE</b>
Indicates a hazardous situation which, if not avoided, will result in death or serious injury <sup>1</sup> .	Indicates a hazardous situation which, if not avoided, could result in death or serious injury <sup>1</sup> .	Indicates a potentially hazardous situation which, if not avoided, may result in minor or moderate injury <sup>2</sup> .	Indicates practices that may cause property damage <sup>3</sup> and other problems, but not personal injury




1. Serious injury includes blindness, wounds, burns (low and high temperature), electric shock, fractures, and poisoning, etc. with long-lasting effects or that require hospitalization and/or long-term hospital visits for treatment.


2. Minor or moderate injury includes wounds, burns, electric shock, etc. not requiring hospitalization and/or long-term hospital visits for treatment.







3. Property damage means damage to customer or third party machines and equipment.

### Explanation of Graphic Symbols

 <b>Prohibited</b>	 <b>Instructions</b>
Indicates prohibited actions.	Indicates actions that must be undertaken for safety purposes.

 <b>CAUTION</b>	
 <b>Prohibited</b>	<b>Safety</b> Do not touch sharp edges or pins of the drive. Sharp edges and protrusions etc. may cause injury.
 <b>Prohibited</b>	<b>Electrical shock</b> Do not touch the HDDs while power-feeding.

<b>⚠ CAUTION</b>	
 <b>Prohibited</b>	<p><b>Damage</b></p> <ol style="list-style-type: none"> <li>1) Do not use a conductive cleaner to clean the HDDs.</li> <li>2) Do not remove any labels from the HDD or deface the HDDs in any way.</li> <li>3) Do not disassemble, analyze, reverse-engineer, alter, modify, translate or copy HDDs, whether in whole or in part. Failure to do so voids any warranty, expressed or implied.</li> </ol>

<b>⚠ CAUTION</b>	
 <b>Instructions</b>	<p><b>High temperature</b></p> <p>To prevent injury such as burn, do not touch the HDD while it is hot. The HDA and LSI become hot during operation and remain hot immediately after turning off the power.</p>
 <b>Instructions</b>	<p><b>Data loss</b></p> <p>Save data stored on the HDD to other media before requesting repair. TDSC assumes no liability if data is corrupted during servicing or repair.</p>
 <b>Instructions</b>	<p><b>Damage</b></p> <p>Always ground yourself with such as a wrist strap connected to ground before handling. ESD (Electrostatics Discharge) may cause the damage to the device.</p>
 <b>Instructions</b>	<p><b>Damage</b></p> <p>When dismantling the HDD which is mounted on the system while power is supplied;</p> <ol style="list-style-type: none"> <li>1) Stop the spindle motor by a START STOP UNIT command. It takes about 30 seconds for the spindle motor to stop completely.</li> <li>2) Then, dismantle the HDD using such as the HDD mounting/dismounting mechanism of the system. When removing the HDD, avoid exposing it to shock or vibration or don't let the metal frame come in contact with PCBA. Just in case, stop dismantling once and wait until the spindle motor stops (about 30 s) when SAS connector breaks off contact.</li> </ol>
 <b>Instructions</b>	<p><b>Damage</b></p> <p>When dismantling the HDD which is mounted on the system while power is not supplied;</p> <p>Dismount the HDD using such as the HDD mounting/dismounting mechanism of the system. When removing the HDD, avoid exposing it to shock or vibration or don't let the metal frame come in contact with PCBA.</p>
 <b>Instructions</b>	<p><b>Damage</b></p> <p>When storing or transporting the HDD, put it in the antistatic bag (refer to Section 5.1 and 6.5).</p>

## Related Standards

This product specifications and functions described in this document comply with the following ANSI (\*1) standards and SFF Committee specifications.


Specification (document) number	Name	Concerned organization
T10/INCITS 513	Information technology SCSI Primary Commands-4 (SPC-4)	American National Standards Institute (ANSI)
T10/INCITS 506	Information technology SCSI Block Commands-4 (SBC-4)	American National Standards Institute (ANSI)
T10/INCITS 515	Information technology SCSI Architecture Model-5 (SAM-5)	American National Standards Institute (ANSI)
T10/INCITS 519	Information technology Serial Attached SCSI-3 (SAS-3)	American National Standards Institute (ANSI)
T10/INCITS 492	Information technology SAS Protocol Layer-3 (SPL-3)	American National Standards Institute (ANSI)

(\*1) ANSI = American National Standard Institute

In case of conflict between this document and any referenced document, this document takes precedence.

**Marking**

**1) WEEE**

<p>Following information is only for EU-member states:</p> <p>The use of the symbol indicates that this product may not be treated as household waste. By ensuring this product is disposed of correctly, you will help prevent potential negative consequences for the environment and human health, which could otherwise be caused by inappropriate waste handling of this product. For more detailed information about recycling of this product, please contact your local city office, your household waste disposal service or the shop where you purchased the product.</p>	
---	---

**2) Names and Contents of Hazardous Substances or Elements in Products**

产品中有害物质的名称及含量

部件名称	有害物质					
	铅 (Pb)	汞 (Hg)	镉 (Cd)	六价铬 (Cr(VI))	多溴联苯 (PBB)	多溴二苯醚 (PBDE)
HDD(硬盘驱动器)	×	○	○	○	○	○
<p>本表格依据 SJ/T 11364 的规定编制。</p> <p>○：表示该有害物质在该部件所有均质材料中的含量均在 GB/T 26572 规定的限量要求以下。</p> <p>×：表示该有害物质至少在该部件的某一均质材料中的含量超出 GB/T 26572 规定的限量要求。</p>						



中华人民共和国环保使用期限





**Safety/EMC Standards**

The drive satisfies the following standards.

Item
Underwriters Laboratories (UL)
Canadian Standard Association (CSA)
Technischer Überwachungs-Verein (TUV)
Bureau of Standards, Metrology and Inspection (BSMI)
Korea Certification (KC) (Note 1)
Regulatory Compliance Mark (RCM)

(Note 1) Marks of KC

Made in Japan		1. 기기의 명칭(모델명) : MG09SCA18T/16T/14T/12T/10T A/E/AY/EY, MG09SCP18T/16T/14T/12T/10T A/E 2. 인증번호 : R-R-T48-MG09SCA18TE 3. 인증받은 자의 상호 : TOSHIBA ELECTRONIC DEVICES & STORAGE CORPORATION 4. 제조년월일 : 2020-05 5. 제조자 / 제조국가 : TOSHIBA ELECTRONIC DEVICES & STORAGE CORPORATION / 일본
Made in Philippines		1. 기기의 명칭(모델명) : MG09SCA18T/16T/14T/12T/10T A/E/AY/EY, MG09SCP18T/16T/14T/12T/10T A/E 2. 인증번호 : R-R-T48-MG09SCA18TE 3. 인증받은 자의 상호 : TOSHIBA ELECTRONIC DEVICES & STORAGE CORPORATION 4. 제조년월일 : 2020-05 5. 제조자 / 제조국가 : TOSHIBA ELECTRONIC DEVICES & STORAGE CORPORATION / 필리핀

<b>B급 기기</b> (가정용 방송통신기자재)	이 기기는 가정용(B급) 전자파적합기기로서 주로 가정에서 사용하는 것을 목적으로 하며, 모든 지역에서 사용할 수 있습니다.
-------------------------------	--

## CE Marking

The drive satisfies the following standards.

Category	Applied standard	Issued year	Comment
EMC 2014/30/EU	Emission: EN55032	2015	Class B (including domestic environment)
	Immunity: EN55035	2017	Product immunity standard for IT-equipment
RoHS 2011/65/EU	EN IEC63000	2018	Category 3

## UKCA Marking

The drive satisfies the following standards.

Category	Applied standard	Issued year	Comment
EMC	Emission: BS EN55032	2015	Class B (including domestic environment)
	Immunity: BS EN55035	2017	Product immunity standard for IT-equipment
RoHS	BS EN IEC63000	2018	Category 3

**DOCUMENT ORGANIZATION**

**MG09 SAS  
PRODUCT SPECIFICATION  
(This document)**

1. General Description
2. Specifications
3. Data Format
4. Installation Requirements
5. Installation
6. Diagnostics and Maintenance
7. Error Analysis

**MG09 SAS  
INTERFACE SPECIFICATION  
(DOC NO: 440082103)**

1. SAS Interface
2. Command Processing
3. Data Buffer Management
4. Command Specifications
5. Parameter Data Formats
6. Sense Data and Error Recovery Methods
7. Disk Media Management

**MG 09 SAS / SATA  
SED SPECIFICATION  
(DOC NO: 440082106)**

1. Introduction
2. Overview
3. Implementation Details
4. Error handling

**MG09 SAS / SATA  
SIE SPECIFICATION  
(DOC NO: 440082107)**

1. Introduction
2. Specification

# Contents

- CHAPTER 1 General Description ..... 16
  - 1.1 Standard Features ..... 17
  - 1.2 Hardware Structure ..... 22
  - 1.3 System Configuration ..... 23
- CHAPTER 2 Specifications ..... 25
  - 2.1 Hardware Specifications ..... 26
    - 2.1.1 Model Number ..... 26
    - 2.1.2 Function Specifications ..... 27
    - 2.1.3 Environmental Specifications ..... 28
    - 2.1.4 Power Specification ..... 29
    - 2.1.5 Error Rate ..... 35
    - 2.1.6 Reliability ..... 35
    - 2.1.7 Load/Unload ..... 37
- CHAPTER 3 Data Format ..... 38
  - 3.1 Data Space ..... 39
    - 3.1.1 Cylinder Configuration ..... 39
    - 3.1.2 Alternate Spare Area ..... 42
    - 3.1.3 Track Format ..... 43
    - 3.1.4 Sector Format ..... 45
    - 3.1.5 Format Capacity ..... 46
  - 3.2 Logical Data Block Addressing ..... 48
  - 3.3 Defect Management ..... 49
    - 3.3.1 Defect List ..... 49
    - 3.3.2 Alternate Block Allocation ..... 49
  - 3.4 MODE SELECT parameter: pages 3, 4 ..... 54
- CHAPTER 4 Installation Requirements ..... 55
  - 4.1 Mounting Requirements ..... 56
    - 4.1.1 Dimensions ..... 56
    - 4.1.2 Mounting Orientations ..... 57
    - 4.1.3 Notes on Mounting ..... 58
  - 4.2 Power Supply Requirements ..... 61
  - 4.3 Connection Requirements ..... 62
    - 4.3.1 Connector Location ..... 62
    - 4.3.2 Ready LED Output Signal ..... 65
    - 4.3.3 Connector Requirements ..... 65
    - 4.3.4 POWER DISABLE Control input signal ..... 65
- CHAPTER 5 Installation ..... 66
  - 5.1 Notes on Handling HDDs ..... 67
  - 5.2 Setting ..... 69
    - 5.2.1 Port Address ..... 69
  - 5.3 Mounting HDDs ..... 69
    - 5.3.1 Mounting Procedures ..... 69
  - 5.4 Checking Operation after Installation and Preparing the HDDs for Use ..... 70
    - 5.4.1 Checking Initial Operation ..... 70
    - 5.4.2 Formatting ..... 72
    - 5.4.3 Setting Parameters ..... 73
  - 5.5 Dismounting HDDs ..... 77
- CHAPTER 6 Diagnostics and Maintenance ..... 78
  - 6.1 Diagnostics ..... 79
    - 6.1.1 Self-Diagnostics ..... 79
    - 6.1.2 Test Programs ..... 82
  - 6.2 Maintenance ..... 83

6.2.1	Precautions.....	83
6.2.2	Maintenance Requirements.....	84
6.2.3	Maintenance Levels.....	85
6.2.4	Tools and Test Equipment.....	85
6.2.5	Tests.....	86
6.3	Operation Check.....	87
6.3.1	Initial Seek Operation Check.....	87
6.3.2	Operation Test.....	87
6.3.3	Diagnostic Test.....	87
6.4	Troubleshooting.....	88
6.4.1	Outline of Troubleshooting Procedures.....	88
6.4.2	Troubleshooting with HDD Replacement in the Field.....	88
6.4.3	Troubleshooting at the Repair Site.....	89
6.4.4	Troubleshooting with Parts Replacement in the Factory.....	90
6.4.5	Finding Possibly Faulty Parts.....	90
6.5	Packaging.....	91
6.5.1	Bag Packaging.....	91
6.5.2	Box Packaging.....	92
CHAPTER 7	Error Analysis.....	94
7.1	Sense Data Collection.....	95
7.1.1	Sense Data.....	95
7.1.2	Sense Data Format.....	95
7.1.3	Fixed Form Sense Data.....	96
7.1.4	Descriptor Form Sense Data.....	98
7.2	Sense Data Analysis.....	104
7.2.1	Error Information Indicated with Sense Data.....	104
7.2.2	Sense Data (3-0C-03), (4-32-00), (4-40-xx), (4-C4-xx), and (4-44-xx).....	105
7.2.3	Sense Data (1-1x-xx), (3-1x-xx) and (E-1D-00): Disk Read Error.....	105
7.2.4	Sense Data (5-2x-xx), (B-4B-xx) and (B-4E-00): Interface Error.....	105
Restrictions on Product Use	.....	106

## Illustrations

### Figures

Figure 1.1	Example of SAS system configuration (Dual port internal cabled environment) .....	23
Figure 1.2	Example of SAS system configuration (Dual port internal backplane environment)	23
Figure 2.1	Current waveform (Spin-up) .....	33
Figure 2.2	Current waveform (Max seek).....	34
Figure 3.1	Cylinder configuration .....	40
Figure 3.2	Alternate cylinder.....	42
Figure 3.3	Track format .....	43
Figure 3.4	Track skew/head skew .....	44
Figure 3.5	Sector format.....	45
Figure 3.6	Alternate block allocation by FORMAT UNIT command.....	50
Figure 3.7	Alternate block allocation by REASSIGN BLOCKS command .....	51
Figure 4.1	Dimensions.....	56
Figure 4.2	HDD Orientations .....	57
Figure 4.3	Mounting frame structure example .....	58
Figure 4.4	Limitation of side-mounting.....	59
Figure 4.5	Surface temperature measurement points.....	60
Figure 4.6	AC noise filter (recommended) .....	61
Figure 4.7	Connector location.....	62
Figure 4.8	SAS plug connector overview .....	63
Figure 4.9	Recommended external circuit for Ready LED output .....	65
Figure 6.1	Test flowchart.....	86
Figure 6.2	Bag packaging.....	91
Figure 6.3	Box packaging.....	92
Figure 6.4	Fraction packaging .....	93

**Tables**

Table 2.1	Model numbers.....	26
Table 2.2	Function specifications .....	27
Table 2.3	Environmental requirements .....	28
Table 2.4	Power requirements.....	29
Table 2.5	Power consumption (MG09SCA18T / MG09SCA16T).....	30
Table 2.6	Power consumption (MG09SCA14T).....	31
Table 2.7	Power consumption (MG09SCA12T / MG09SCA10T).....	32
Table 3.1	Format capacity (1/2).....	46
Table 3.1	Format capacity (2/2).....	47
Table 3.2	Details of parameters on MODE SELECT parameter: pages 3, 4.....	54
Table 4.1	Surface temperature check point and maximum temperature .....	60
Table 4.2	Interface connector (SAS plug) signal allocation:CN1 .....	64
Table 4.3	Recommended connectors .....	65
Table 6.1	Self-diagnostic functions .....	79
Table 6.2	System-level field troubleshooting .....	88
Table 6.3	HDD troubleshooting .....	89
Table 7.1	Response code.....	95
Table 7.2	Fixed form sense data format .....	97
Table 7.3	Descriptor form sense data format.....	98
Table 7.4	Sense data descriptor type Table .....	99
Table 7.5	Information sense data descriptor format.....	99
Table 7.6	Command specific information sense data descriptor format.....	100
Table 7.7	Sense key specific data descriptor format.....	101
Table 7.8	Sense key specific information.....	101
Table 7.9	Field pointer sense key specific data descriptor format.....	101
Table 7.10	Actual retry count sense key specific data descriptor format.....	102
Table 7.11	Progress indicator sense key specific data descriptor format.....	102
Table 7.12	Block command sense data descriptor format .....	102
Table 7.13	Progress indicator sense data descriptor format.....	103
Table 7.14	Vendor specific sense data descriptor format .....	103
Table 7.15	Definition of sense data .....	104

## **CHAPTER 1    General Description**

- |   |
|---|
| <ul style="list-style-type: none"><li><b>1.1    Standard Features</b></li><li><b>1.2    Hardware Structure</b></li><li><b>1.3    System Configuration</b></li></ul> |
|---|

This chapter describes the feature and configuration of the hard disk drives (HDDs).

The HDDs are high performance large capacity 3.5 type hard disk drives with an embedded Serial Attached SCSI (SAS) controller.

The interface used to connect the HDDs to the host system complies with ANSI T10/1601D Serial Attached SCSI-1.1 (SAS-1.1) and ANSI T10/1760D Serial Attached SCSI-3 (SAS-3), which covers items ranging from SAS physical layers to SCSI command protocols.

The high-speed data transfer and long-distance transmission capabilities of SAS technology and the powerful command set the HDDs facilitate creation of high-performance and highly reliable disk subsystems with large storage capacities.



## 1.1 Standard Features

### (1) Compactness

The HDDs are a compact enclosure which complies with the 3.5 type hard disk drive form factor.

### (2) Environmental Protection

The HDDs comply with the Restriction of the use of certain Hazardous Substances in electrical and electronic equipment (RoHS) directive issued by European Union (EU).

### (3) SAS Standard

The HDDs are equipped with a serial attached SCSI (SAS) as a host interface.

- Transfer speed: 12 Gbit/s, 6 Gbit/s, 3 Gbit/s, 1.5Gbit/s
- Number of SAS ports: 2
- Full-duplex (simultaneous bidirectional data transfer) is supported.

### (4) Dual SAS port support

The HDDs have two pairs of driver and receiver set (PHY) for the SAS to support dual SAS port connection.

On HDDs, Primary and Secondary Ports on SAS plug connector (2 physical links plus power connections) are used for SAS port connection.

### (5) High-speed data transfer

The maximum data-transfer speed is 1200 MB/s per SAS port. The large-capacity data buffer of the HDDs enable the effective use of such high-speed data transfers available on the SAS connection.

### (6) Continuous block processing

The addressing method of data blocks is logical block address. The initiator can access data by specifying block number in a logically continuous data space without concerning the physical structure of the track or cylinder boundaries.

The continuous processing up to [64K-1] blocks in a command can be achieved, and the HDDs can perform continuous read/write operation when processing data blocks on several tracks or cylinder.

### (7) Multi-segment data buffer

The data buffer is 512 MiB. (1 MiB = 1 048 576 B) Data is transferred between SAS port and disk media through this data buffer. This feature provides the suitable usage environment for users.

(8) Cache feature

After executing the READ command, the HDDs read automatically and store (prefetches) the subsequent data blocks into the data buffer (Read-ahead caching).

The high speed sequential data access can be achieved by transferring the data from the data buffer without reaccessing the disk in case the subsequent command requests the prefetched data blocks.

The Write Cache feature is supported. When this feature is enabled, the status report is issued without waiting for completion of write processing to disk media, thereby enabling high speed write processing.

## IMPORTANT

When Write Cache is enabled, you should ensure that the cached data is surely flushed to the disk media before you turn off the HDDs power.

To ensure it, you should issue either the SYNCHRONIZE CACHE command or the START STOP UNIT command with specifying "0" to the Immediate bit, and then confirm that the command is surely terminated with the GOOD STATUS.

(9) Command queuing feature

The HDDs can queue maximum 128 commands, and optimizes the issuing order of queued commands by the reordering function. This feature realizes the high speed processing.

(10) Reserve and release functions

The HDDs can be accessed exclusively in the multi-host or multi-initiator environment by using the reserve and release functions.

(11) Error recovery

The HDDs can try to recover from errors in the HDD using its powerful retry processing. If a recoverable data check occurs, error-free data can be transferred to the initiator after being corrected in the data buffer. The initiator software is released from the complicated error recover processing by these error recovery functions of the HDDs.

(12) Automatic alternate block reassignment

If a defective data block is detected during read or write the HDDs can automatically reassign its alternate data block.

## (13) Programmable data block length

Data can be accessed in fixed-block length units or emulation unit. The logical data block length is programmable.

MG09SCA18TA/16TA/14TA/12TA/10TA, MG09SCA18TAY/16TAY/14TAY/12TAY/10TAY and MG09SCP18TA/16TA/14TA/12TA/10TA can be specified at initializing with a multiple of 64 within the range of 4096 to 4224 B.

MG09SCA18TE/16TE/14TE/12TE/10TE, MG09SCA18TEY/16TEY/14TEY/12TEY/10TEY and MG09SCP18TE/16TE/14TE/12TE/10TE can be specified at initializing with a multiple of 8 within the range of emulation.

4096 B format type is 512 B emulation.

4160 B format type is 520 B emulation.

4224 B format type is 528 B emulation.

## IMPORTANT

### Error rate increase

1. The HDD format at factory shipment is generally of the following.  
 MG09SCA18TA/16TA/14TA/12TA/10TA, MG09SCA18TAY/16TAY/14TAY/12TAY/10TAY and MG09SCP18TA/16TA/14TA/12TA/10TA :  
 4096 B format.  
 MG09SCA18TE/16TE/14TE/12TE/10TE, MG09SCA18TEY/16TEY/14TEY/12TEY/10TEY and MG09SCP18TE/16TE/14TE/12TE/10TE :  
 4096 B format (512 B emulation).
2. The recoverable error of the HDD might increase when the format would be modified from 512 B or 4096 B to the following values:  
 MG09SCA18TA/16TA/14TA/12TA/10TA, MG09SCA18TAY/16TAY/14TAY/12TAY/10TAY and MG09SCP18TA/16TA/14TA/12TA/10TA :  
 4160 B and 4224 B  
 MG09SCA18TE/16TE/14TE/12TE/10TE, MG09SCA18TEY/16TEY/14TEY/12TEY/10TEY and MG09SCP18TE/16TE/14TE/12TE/10TE :  
 520 B and 528 B
3. The recoverable Error referred here is sense data (1-13-xx).

## (14) Defective block slipping

A logical data block can be reallocated in a physical sequence by slipping the defective data block at formatting. This results in high speed contiguous data block processing without a revolution delay due to defective data block.

## (15) High speed positioning

A rotary voice coil motor achieves fast positioning with high performance access control.

(16) Large capacity

A large capacity can be obtained from the HDDs by dividing all cylinders into several partitions and changing the recording density on each partition (constant density recording). The disk subsystem with large capacity can be constructed in the good space efficiency.

(17) Start/Stop of spindle motor

Using the SAS primitive or the SCSI command, the host system can start and stop the spindle motor.

(18) Diagnosis

The HDDs have a diagnostic capability which checks internal controller functions and HDD operations. Also, for early detection of and recovery from the errors on the disk, the HDD has a function for periodically implementing a full scan of the disk.

(19) Low power consumption

By using highly integrated LSI components, the power consumption of the HDDs is very low, and this enables the unit to be used in wide range of environmental conditions. Also, unloading the head with idle status realizes the significant reduction of power consumption.

(20) Low acoustic noise

The acoustic noise level is low. This makes it ideal for office use.

(21) Microcode downloading

The HDDs implement the microcode download feature. This feature easily achieves maintenance and function enhancement of the HDDs.

(22) Persistent Write Cache (PWC) operation

HDD operates in the Persistent Write Cache mode when WCE=0 and NV\_DIS=0. This mode has the function to protect the Cached Write data by storing the data and the Cache management information in the Serial Flash memory when unexpected power off.

The stored cache data in the Serial Flash memory is read and written on the disk media at the next power on.

(23) Self Encryption Drive (SED)

SED model is available in this HDD series. SED model is TCG (Trusted Computing Group) protocol. This function will prevent information leakage if stolen or missing the HDD, so it is a good data security from accident.

Refer to SAS/SATA SED (Document No. 440082106) Specification for more detail.

(24) Sanitize Instant Erase (SIE) functions

SIE model is available in this HDD series. SIE model is supported sanitize device feature set and TCG is not supported. When the deletion of data is executed by using this function, the HDDs cannot restore all this recorded data.

Refer to SAS/SATA SIE Specification (Document No. 440082107) for more detail.

(25) Logical Depop function

This HDD series features Logical Depop function. This function supports special format to remove specified head from logical block. When the specified head is removed, the number of logical blocks is reduced according to the number of physical blocks of removed head.

## 1.2 Hardware Structure

The HDDs have a head disk assembly(HDA) and a printed circuit board assembly (PCBA). The HDA includes heads on an actuator and disks on a spindle motor mounted on the HDA. The PCBA includes a read/write circuit and a controller circuit.

### (1) Disks

The disks have an outer diameter of 96 mm {3.78 inch}.

### (2) Heads

The heads have MR (Magnet-Resistive) read element on Ramp Load type slider.

### (3) Spindle motor

The disks are rotated with an FDB (Fluid Dynamic Bearing) motor. The specified speed of the motor is maintained with the motor terminal's counter electromotive voltage, which is used to detect the motor speed.

### (4) Actuator

The actuator, which uses a rotary voice coil motor (VCM), consumes little power and generates little heat. The heads at the end of the actuator arm are controlled and positioned via feedback servo loop.

The heads are positioned on the ramp when the power is off or the spindle motor is stopped.

### (5) Read/write circuit

The read/write circuit uses a LSI chip for the read/write preamplifier and an MEEPRML (Modified Enhanced Extended Partial Response Maximum Likelihood) modulation/demodulation circuit in order to prevent errors being triggered by external noise and to improve data reliability.

### (6) Controller circuit

The controller circuit supports SAS (Serial Attached SCSI) interface, and it realized a high performance by integration into LSI.

### 1.3 System Configuration

For the Serial Attached SCSI, the ANSI standard defines Point-to-Point technology. Figure 1.1 and Figure 1.2 give examples of the SAS system configuration.

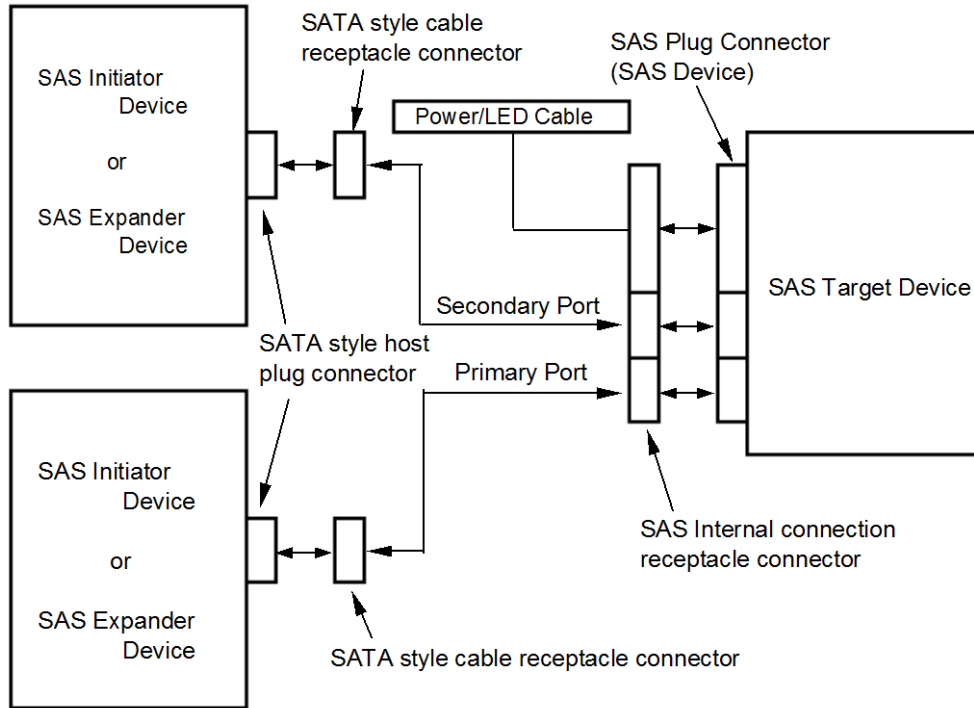


Figure 1.1 Example of SAS system configuration (Dual port internal cabled environment)

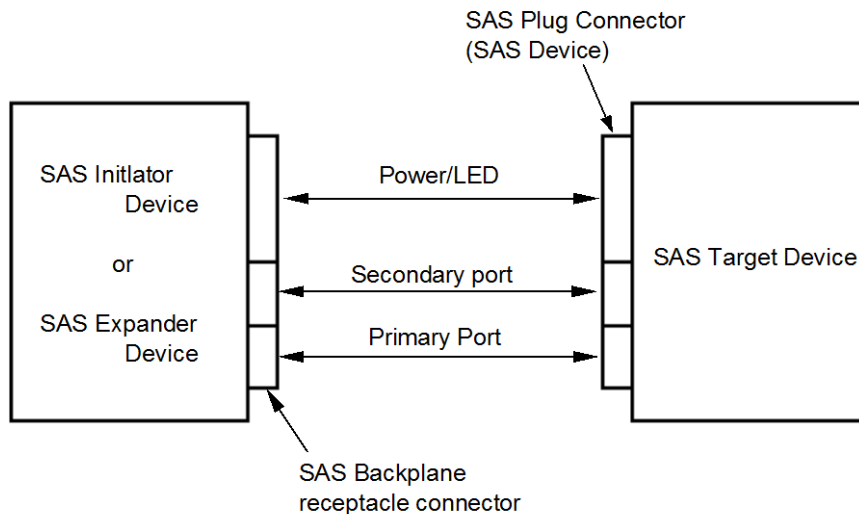


Figure 1.2 Example of SAS system configuration (Dual port internal backplane environment)

(1) Port addressing

Every device connected with the SAS protocol has a unique address (SAS address). SAS addresses are in the Name Address Authority (NAA) IEEE Registered format defined by SCSI Primary Command-4 (SPC-4).

An SAS address consists of 8 bytes as a unique value set for each device.

The initiator can implement an I/O operation on an HDD by using the corresponding SAS address stored by the HDDs.



## CHAPTER 2 Specifications

<b>2.1 Hardware Specifications</b>
------------------------------------

This chapter describes specifications of the HDDs.

## 2.1 Hardware Specifications

### 2.1.1 Model Number

Each model has different recording capacities when shipped.

Table 2.1 lists the model name and order number.

The data format can be changed by reinitializing with the user's system.

**Table 2.1 Model numbers**

Model number	Interface type	Capacity (*1) (user area)	Model type (*2)	Function	
				SDFS (*3)	TCG (*4)
MG09SCA18T A/E	SAS-3.0 (12 / 6 / 3 / 1.5 Gbit/s)	18 TB	Base	No	No
MG09SCA16T A/E	SAS-3.0 (12 / 6 / 3 / 1.5 Gbit/s)	16 TB	Base	No	No
MG09SCA14T A/E	SAS-3.0 (12 / 6 / 3 / 1.5 Gbit/s)	14 TB	Base	No	No
MG09SCA12T A/E	SAS-3.0 (12 / 6 / 3 / 1.5 Gbit/s)	12 TB	Base	No	No
MG09SCA10T A/E	SAS-3.0 (12 / 6 / 3 / 1.5 Gbit/s)	10 TB	Base	No	No
MG09SCA18T AY/EY	SAS-3.0 (12 / 6 / 3 / 1.5 Gbit/s)	18 TB	SIE	Yes	No
MG09SCA16T AY/EY	SAS-3.0 (12 / 6 / 3 / 1.5 Gbit/s)	16 TB	SIE	Yes	No
MG09SCA14T AY/EY	SAS-3.0 (12 / 6 / 3 / 1.5 Gbit/s)	14 TB	SIE	Yes	No
MG09SCA12T AY/EY	SAS-3.0 (12 / 6 / 3 / 1.5 Gbit/s)	12 TB	SIE	Yes	No
MG09SCA10T AY/EY	SAS-3.0 (12 / 6 / 3 / 1.5 Gbit/s)	10 TB	SIE	Yes	No
MG09SCP18T A/E	SAS-3.0 (12 / 6 / 3 / 1.5 Gbit/s)	18 TB	SED	Yes	Yes
MG09SCP16T A/E	SAS-3.0 (12 / 6 / 3 / 1.5 Gbit/s)	16 TB	SED	Yes	Yes
MG09SCP14T A/E	SAS-3.0 (12 / 6 / 3 / 1.5 Gbit/s)	14 TB	SED	Yes	Yes
MG09SCP12T A/E	SAS-3.0 (12 / 6 / 3 / 1.5 Gbit/s)	12 TB	SED	Yes	Yes
MG09SCP10T A/E	SAS-3.0 (12 / 6 / 3 / 1.5 Gbit/s)	10 TB	SED	Yes	Yes

(\*1) One terabyte (TB) = one trillion byte; accessible capacity will be less and actual capacity depends on the operating environment and formatting.

(\*2) Model type is displayed as Base, SIE (Sanitize Instant Erase) and SED (Self Encrypting drive).

(\*3) SDFS : Sanitize Device Feature Set

(\*4) TCG : TCG Enterprise SSC

**2.1.2 Function Specifications**

Table 2.2 shows the function specifications of the HDDs.

**Table 2.2 Function specifications**

Item		Specification				
		MG09SCA18T MG09SCP18T	MG09SCA16T MG09SCP16T	MG09SCA14T MG09SCP14T	MG09SCA12T MG09SCP12T	MG09SCA10T MG09SCP10T
Formatted capacity (*1) (*2)		18 TB	16 TB	14 TB	12 TB	10 TB
Logical data block length (*3)	MG09SCAxxxA/AY MG09SCPxxxA (fixed length)	4096 B / 4160 B / 4224 B				
	MG09SCAxxxE/EY MG09SCPxxxE (emulation) (*4)	Host:512 B Disk:4096 B Host:520 B Disk:4160 B Host:528 B Disk:4224 B				
Interface speed (*5)		12.0 Gbit/s, 6.0 Gbit/s, 3.0 Gbit/s, 1.5 Gbit/s				
Maximum sustained data rate (*5) (Typ.)		268 MiB/s				
Data buffer (*6)		512 MiB				
Rotation speed		7200 rpm				
Average seek time (Read / Write) (Typ.)		7.5 ms / 8.6 ms				
Start time (*7) (Typ. (Max.))		20 s (30 s)				
Stop time (*8) (Typ. (Max.))		20 s (30 s)				
External dimensions	Height (Max.)	26.1 mm				
	Width (Max.)	101.85 mm				
	Length (Max.)	147.0 mm				
Weight (Max. (Typ.))		720 g (694 g)	705 g (679 g)	690 g (664 g)		
Acoustics (Sound Power) (*9) (Typ.)		Idle: 20 dB, Seek: 32 dB				

- (\*1) The formatted capacity can be changed by changing the logical block length and using spare sector space. See CHAPTER 3 for the further information. The formatted capacity listed in the table is an estimate for 512 B per sector or 4096 B per sector.
- (\*2) One terabyte (TB) = one trillion bytes; accessible capacity will be less and actual capacity depends on the operating environment and formatting.
- (\*3) Refer to item (13) in Subsection 1.1.
- (\*4) Read–modify–write is supported.
- (\*5) The maximum sustained data rate and interface speed may be restricted to the response speed of host system and by transmission characteristics.  
1 Gbit/s = 1 000 000 000 bits/s. 1 MiB/s = 1 048 576 B/s
- (\*6) 1 MiB = 1 048 576 B
- (\*7) The start time is the time from power on to when the HDDs are ready.
- (\*8) The stop time is the time for disks to completely stop from power off or stop command.
- (\*9) The measuring method is based on ISO 7779. Idle is active idle mode.

**2.1.3 Environmental Specifications**

Table 2.3 lists environmental requirements.

**Table 2.3 Environmental requirements**

Item		Specification	
Operating condition	Ambient temperature (*1)	5 to 55 °C (no condensation)	
	Enclosure surface temperature (*1)	5 to 60 °C (no condensation)	
	Temperature gradient (*1)	20 °C/h or less (no condensation)	
	Relative humidity	5 to 90 % (no condensation)	
	Humidity gradient	20 %/h (no condensation)	
	Maximum wet bulb temperature	29.4 °C (no condensation)	
	Vibration (*2) (*3)	7.35 m/s <sup>2</sup> {0.75 G} (5 to 300 Hz) 2.45 m/s <sup>2</sup> {0.25 G} (300 to 500 Hz)	
	Rotational vibration	13.53 rad/s <sup>2</sup> (20 to 2200 Hz)	
	Shock (*2)	686 m/s <sup>2</sup> {70 G} (2 ms duration)	
	Altitude	- 305 to + 3048 m (no condensation) (5 to 55 °C Ambient)	
Non-operating condition (*4)	Storage condition	Ambient temperature	0 to 70 °C (no condensation)
		Altitude	- 305 m to 3048 m (no condensation)
		Period	6 months within shipping package
	Ambient temperature (*1) (*5)		- 40 to 70 °C (no condensation)
	Altitude		- 305 to +12 192 m (no condensation)
	Temperature gradient (*1)		30 °C/h or less (no condensation)
	Relative humidity		5 to 95 % (no condensation)
	Humidity gradient		20 %/h (no condensation)
	Maximum wet bulb temperature		29.4 °C (no condensation)
	Vibration (*2) (*6)		29.4 m/s <sup>2</sup> {3.0 G} (5 to 500 Hz)
	Shock (*2)		2450 m/s <sup>2</sup> {250 G} (2 ms duration)
	Rotational shock		25 krad/s <sup>2</sup> (1.0 ms)

(\*1) For detail condition, see Section 4.1.

(\*2) Vibration applied to the HDD is measured at near the mounting screw hole on the frame as much as possible.

(\*3) At random seek write/read and default on retry setting with log sweep vibration.

(\*4) Non-operating condition (except storage condition) assumes short term transportation.

(\*5) The range of altitude is 3048 m or less.  
Up to 55 °C at 7620 m. Up to 40 °C at 12 192 m.

(\*6) At power-off state after installation

## 2.1.4 Power Specification

### (1) Power requirements

**Table 2.4 Power requirements**

Item	DC +5 V (*1)	DC +12 V (*1)
Regulation	+ 10 % / - 7 % (*2)	± 10 %
Rise time	1 ms or more, 100 ms or less 0 V => 5 V	1 ms or more, 100 ms or less 0 V => 12 V
Ripple (*3) (peak-to-peak value)	250 mV or less (100 Hz to 20 MHz)	800 mV or less (100 Hz to 8 kHz) 450 mV or less (8 kHz to 100 kHz) 250 mV or less (100 kHz to 20 MHz)

(\*1) Input voltages are specified at the HDD connector side, during HDD ready state.

(\*2) Make sure the value is not less than DC – 0.3 V (less than – 0.6 V, 0.1 ms) when turning on or off the power.

(\*3) High frequency noise (over 20 MHz) is less than 100 mV (peak-to-peak value).

(2) Power consumption

Table 2.5, Table 2.6 and Table 2.7 list typical power consumption under power supply at nominal voltage  $\pm 1\%$  and 25 °C ambient.

**Table 2.5 Power consumption (MG09SCA18T / MG09SCA16T)**

Item		Current (Typ.)		Wattage (Typ.)
		DC +5 V	DC +12 V	
Spin up	Peak (*1)	0.37 A	1.49 A	-
	Maximum DC (*2)	0.35 A	1.32 A	-
Random Read 4KB Q1	Peak	1.20 A	1.92 A	-
	Average	0.36 A	0.57 A	8.51 W
Random Read 4KB Q16	Peak	1.08 A	1.92 A	-
	Average	0.40 A	0.63 A	9.47 W
Random Write 4KB Q1	Peak	0.71 A	1.91 A	-
	Average	0.39 A	0.40 A	6.64 W
Random Write 4KB Q16	Peak	0.71 A	1.94 A	-
	Average	0.39 A	0.40 A	6.67 W
Sequential Read	Peak	1.08 A	0.64 A	-
	Average	0.86 A	0.34 A	8.24 W
Sequential Write	Peak	0.78 A	0.60 A	-
	Average	0.63 A	0.38 A	7.62 W
Random Write/Read 4KB Q1	Peak	1.11 A	1.92 A	-
	Average	0.37 A	0.58 A	8.71 W
Random Write/Read 4KB Q16	Peak	1.03 A	1.92 A	-
	Average	0.38 A	0.61 A	9.19 W
Idle_A	Average	0.23 A	0.28 A	4.49 W
Idle_B	Average	0.22 A	0.20 A	3.36 W
Idle_C	Average	0.22 A	0.16 A	2.93 W
Standby	Average	0.18 A	0.003 A	0.91 W

(\*1) Not including glitch less than 100  $\mu$ s.

(\*2) Average value in 500 ms window.

Table 2.6 Power consumption (MG09SCA14T)

Item		Current (Typ.)		Wattage (Typ.)
		DC +5 V	DC +12 V	
Spin up	Peak (*1)	0.39 A	1.44 A	-
	Maximum DC (*2)	0.37 A	1.28 A	-
Random Read 4KB Q1	Peak	1.14 A	1.91 A	-
	Average	0.35 A	0.55 A	8.26 W
Random Read 4KB Q16	Peak	1.09 A	1.90 A	-
	Average	0.38 A	0.61 A	9.16 W
Random Write 4KB Q1	Peak	0.72 A	1.90 A	-
	Average	0.37 A	0.38 A	6.34 W
Random Write 4KB Q16	Peak	0.72 A	1.92 A	-
	Average	0.37 A	0.38 A	6.34 W
Sequential Read	Peak	0.98 A	0.62 A	-
	Average	0.80 A	0.32 A	7.71 W
Sequential Write	Peak	0.78 A	0.57 A	-
	Average	0.62 A	0.36 A	7.37 W
Random Write/Read 4KB Q1	Peak	1.10 A	1.91 A	-
	Average	0.36 A	0.56 A	8.40 W
Random Write/Read 4KB Q16	Peak	1.08 A	1.91 A	-
	Average	0.37 A	0.59 A	8.86 W
Idle_A	Average	0.23 A	0.27 A	4.25 W
Idle_B	Average	0.21 A	0.19 A	3.25 W
Idle_C	Average	0.21 A	0.15 A	2.83 W
Standby	Average	0.17 A	0.003 A	0.87 W

(\*1) Not including glitch less than 100  $\mu$ s.

(\*2) Average value in 500 ms window.

**Table 2.7 Power consumption (MG09SCA12T / MG09SCA10T)**

Item		Current (Typ.)		Wattage (Typ.)
		DC +5 V	DC +12 V	
Spin up	Peak (*1)	0.40 A	1.47 A	-
	Maximum DC (*2)	0.38 A	1.29 A	-
Random Read 4KB Q1	Peak	1.15 A	1.87 A	-
	Average	0.35 A	0.51 A	7.77 W
Random Read 4KB Q16	Peak	1.11 A	1.86 A	-
	Average	0.38 A	0.57 A	8.72 W
Random Write 4KB Q1	Peak	0.71 A	1.87 A	-
	Average	0.37 A	0.34 A	5.81 W
Random Write 4KB Q16	Peak	0.71 A	1.87 A	-
	Average	0.37 A	0.34 A	5.82 W
Sequential Read	Peak	1.02 A	0.59 A	-
	Average	0.81 A	0.28 A	7.30 W
Sequential Write	Peak	0.76 A	0.52 A	-
	Average	0.62 A	0.32 A	6.87 W
Random Write/Read 4KB Q1	Peak	1.16 A	1.86 A	-
	Average	0.35 A	0.52 A	7.95 W
Random Write/Read 4KB Q16	Peak	1.05 A	1.86 A	-
	Average	0.37 A	0.55 A	8.35 W
Idle_A	Average	0.22 A	0.23 A	3.76 W
Idle_B	Average	0.22 A	0.17 A	3.08 W
Idle_C	Average	0.22 A	0.14 A	2.71 W
Standby	Average	0.17 A	0.003 A	0.87 W

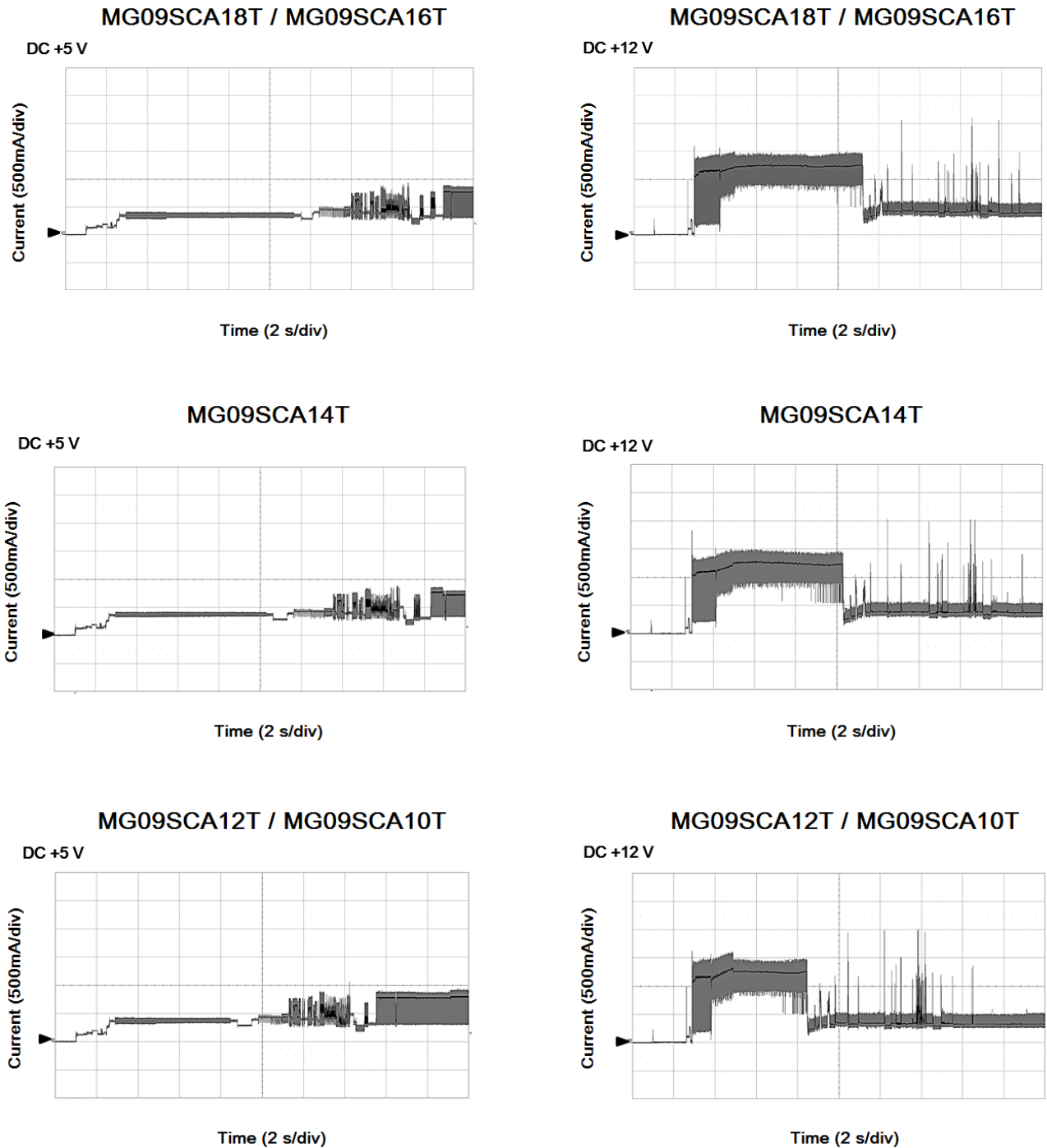
(\*1) Not including glitch less than 100  $\mu$ s.

(\*2) Average value in 500 ms window.



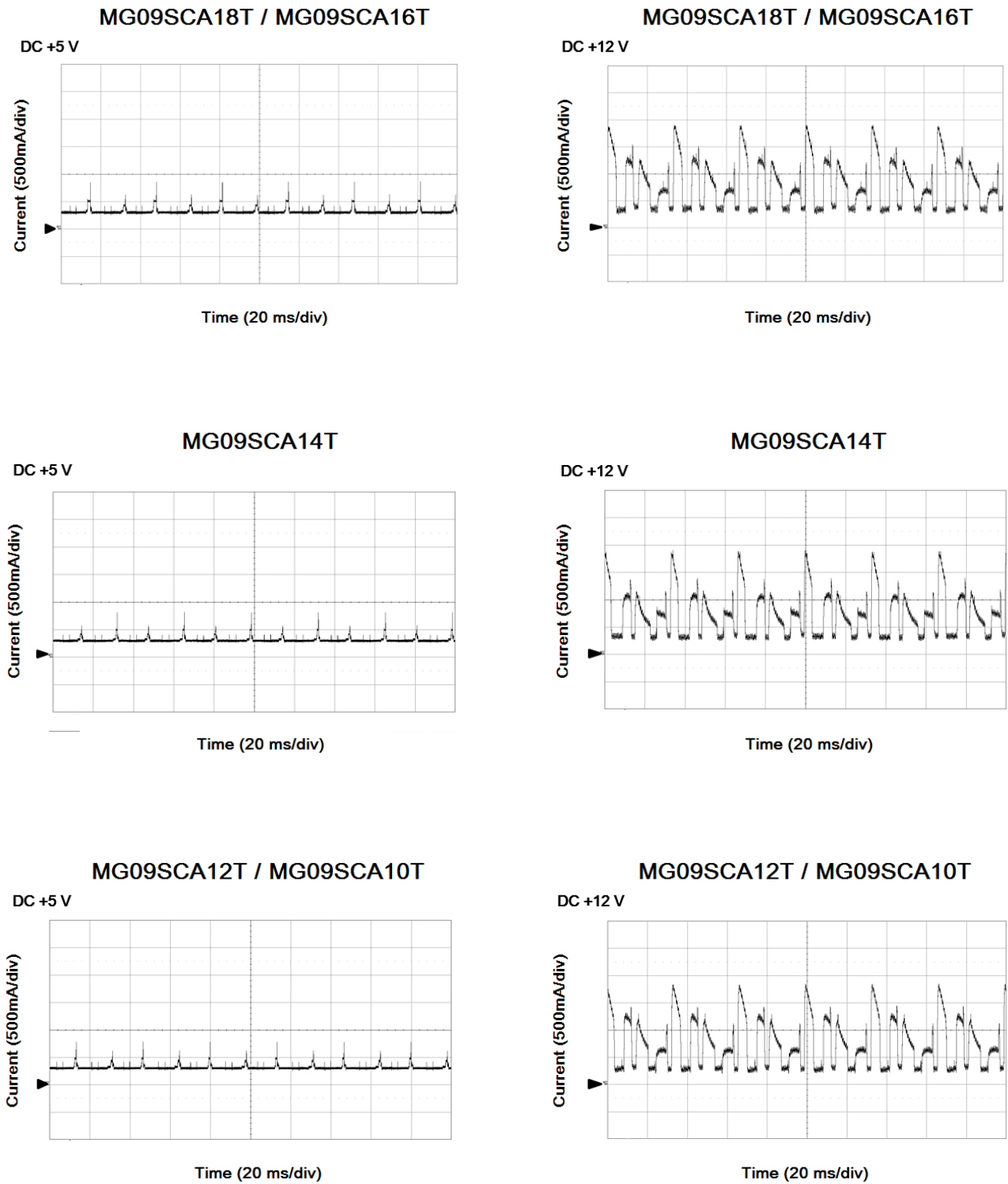
(3) Current waveform (reference)

Figure 2.1 shows the spin-up current waveform and moving average line (10 ms) of DC +5 V and DC +12 V.



**Figure 2.1 Current waveform (Spin-up)**

Figure 2.2 shows the Max Seek current waveform of DC +5 V and DC +12 V.



**Figure 2.2 Current waveform (Max seek)**

**2.1.5 Error Rate**

Errors detected during initialization and replaced by alternate block assignments are not included in the error rate. Data blocks to be accessed should be distributed over the disk equally.

(1) Unrecoverable error rate

Errors which cannot be recovered within 63 retries and ECC correction should not exceed 10 per 10<sup>16</sup> bits read.

(2) Positioning error rate

Positioning errors which can be recovered by one retry should be 10 or less per 10<sup>8</sup> seeks.

**2.1.6 Reliability**

(1) Mean Time to Failures (MTTF) and Annualized Failure Rate (AFR)

MTTF of the HDDs during its life time is 2 500 000 hours and AFR is 0.35 %. (POH: 8760 hours per one year (24 hours per one day, 7 days per one week). Average HDA surface temperature: 40 °C or less, workloads: 550 TB/year, which is defined as the amount of data written, read or verified by commands from host system). Continual or sustained operation at case HDA surface temperature above 40 °C may degrade product reliability.

**Note:**

The MTTF is defined as:

$$MTTF = \frac{\text{Operating time (hours) at all field sites}}{\text{The number of equipment failures from all field sites}}$$

Failure of the equipment means failure that requires repair, adjustments, or replacement. Mishandling by the operator, failures due to bad environmental conditions, power trouble, host system trouble, cable failures, or other failures not caused by the equipment are not considered.

The AFR is defined as:

$$AFR = \frac{8760 \text{ hours}}{MTTF}$$

(2) Service life

The service life under suitable conditions and treatment is as follows.

The service life is depending on the environment temperature. Therefore, the user must design the system cabinet so that the average enclosure surface temperature is as low as possible.

- Enclosure surface temperature: from 5 °C to 40 °C 5 years
- Enclosure surface temperature: more than 40 °C to 45 °C 4.5 years
- Enclosure surface temperature: more than 45 °C to 50 °C 4 years
- Enclosure surface temperature: more than 50 °C to 55 °C 3.5 years
- Enclosure surface temperature: more than 55 °C to 60 °C 3 years
- Enclosure surface temperature: more than 60 °C or less than 5 °C No guarantee

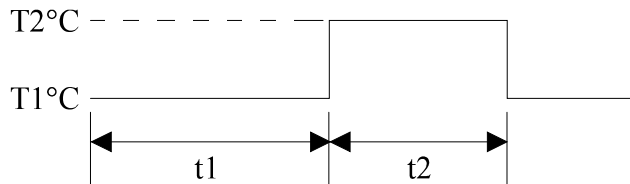
(Keep the enclosure surface temperature from 5 °C to 60 °C.)

Even if the HDDs are used intermittently, the longest service life is 5 years.

The maximum storage period without turning the power on is six months.

**Note:**

The "average surface temperature" means the average temperature at the enclosure surface throughout the year when the HDDs are operating.



$$\text{Average DE surface temperature} = \frac{T1 \times t1 + T2 \times t2}{t1 + t2}$$

(3) Data security at power failure

Integrity of the data on the disk is guaranteed against all forms of DC power failure except on blocks where a write operation is being performed. The above does not applied to formatting disks or assigning alternate blocks.

(4) Storage Period

The maximum storage period of HDD is specified as six months without turning the power on, while being stored in original unopened shipping package, within the defined non-operating limits (refer to Table 2.3 Environmental requirements).

The storage time can be extended to maximum twelve months, while being stored in the original unopened shipping package, under the below environmental conditions. During this period, the maximum storage time after the bag is opened is six months under the below same environmental conditions:

- Temperature: 20 to 35 °C
- Humidity: 5 to 40 %RH
- Altitude: -305 m to 3048 m
- No condensing
- No corrosive.

### 2.1.7 Load/Unload

Be sure to issue and complete the following commands for unloading before cutting off the power supply.

600 000 times of normal Load /Unload can be performed by a command and power management.

Unload is executed by the following commands:

- START STOP UNIT

Load/unload is also executed as one of the idle modes of the drive. If power is removed from the drive while the heads are over the media an Emergency Unload will take place. An Emergency Unload is performed by routing the back-EMF of the spindle motor to the actuator voice coil. An Emergency Unload is mechanically much more stressful to this drive than a controlled Unload. The minimum number of Emergency Unloads that can be successfully performed is 50 000. Emergency Unload should only be performed when it is not possible to perform a controlled Unload.

## **CHAPTER 3    Data Format**

- |  |
|--|
| <ul style="list-style-type: none"><li><b>3.1    Data Space</b></li><li><b>3.2    Logical Data Block Addressing</b></li><li><b>3.3    Defect Management</b></li></ul> |
|--|

This chapter explains data space definition, logical data block addressing, and defect management on the HDDs.

## 3.1 Data Space

The HDDs manage the entire data storage area divided into the following three data spaces.

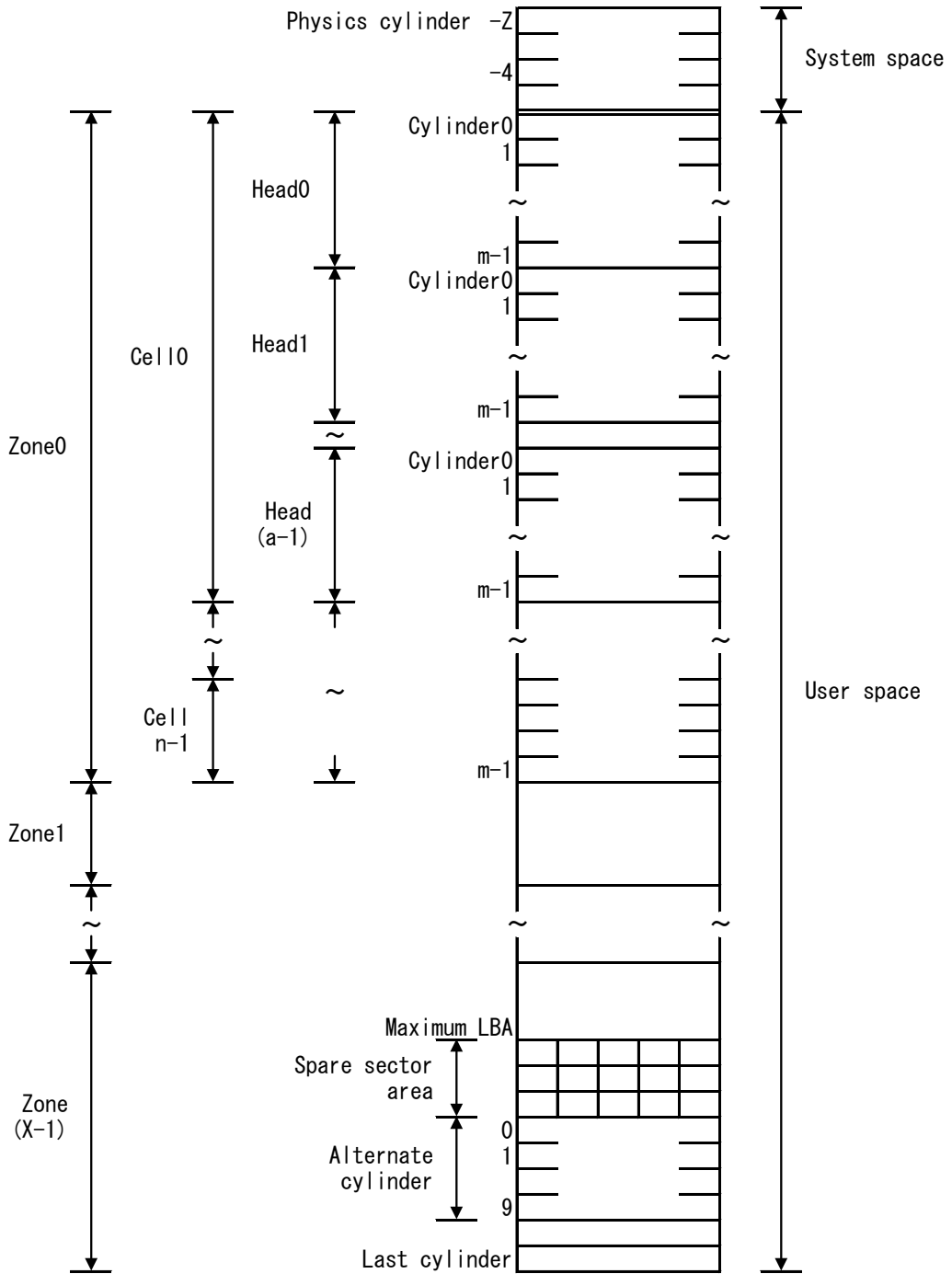
- User space: Storage area for user data
- Internal test space: Reserved area for diagnostic purposes
- System space: Area for exclusive use of HDDs themselves

The user space allows a user access by specifying data. The user space can be accessed with the logical data block addressing method described in Section 3.2. The internal test space is used by Read/write test of self-diagnostics test, but user can't use direct access. The system space is accessed inside the HDDs at power-on or during the execution of a specific command, but the user cannot directly access the system space.

### 3.1.1 Cylinder Configuration

The HDDs allocate cylinders to the user space, Internal test space, and system space. Figure 3.1 shows the cylinder configuration.

Spare areas (alternate cylinders) for defective sectors are provided in the user space. See Subsection 3.1.2 for details.



**Figure 3.1 Cylinder configuration**

Apart from the above logical configuration, the HDDs intend to increase the storage capacity by dividing all cylinders into several zones and changing a recording density of each zone.



(1) User space

The user space is a storage area for user data. The data format on the user space (the length of data block and the number of data blocks) can be specified with the MODE SELECT command.

The user can also specify the number of logical data blocks to be placed in the user space with the MODE SELECT command. When the number of logical data blocks is specified, as many cylinders as required to place the specified data blocks are allocated in the user space.

Always 10 cylinders are located at the end of the last zone in the user space as an alternate cylinder. Alternate cylinders will be used for alternate blocks. See Subsections 3.1.2 and 3.3.2 for details.

(2) Internal test space

The Internal test space is an area for diagnostic purposes only and its data block length is always 512 B. The Internal test space consists of 8 cylinders and outermost cylinder is always assigned. The user cannot change the number of cylinders in the Internal test space or their positions.

(3) System space

The system space is an area for exclusive use of the HDDs itself and the following information are recorded.

- Defect list (P list and G list)
- MODE SELECT parameter (saved value)
- Statistical information (log data)
- Controller control information

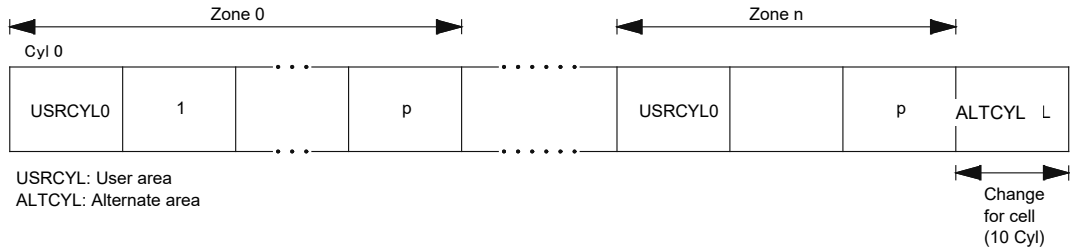
The above information is duplicated in several different locations for safety.

**Note:**

The system space is also called SA area.

**3.1.2 Alternate Spare Area**

The alternate cylinder is used for replacement action via the REASSIGN BLOCKS command or automatic replacement processing. The alternate cylinder is allocated to 10 cylinders at the end of the last zone in the user space.



Note: The number of alternate cylinders cannot be changed.

**Figure 3.2 Alternate cylinder**

3.1.3 Track Format

(1) Physical sector allocation

Figure 3.3 shows the allocation of the physical sectors in a track. The length in bytes of each physical sector and the number of sectors per track vary depending on the logical data block length. The unused area (G4) exists at the end of the track in formats with most logical data block lengths.

The interval of the sector pulse (length of the physical sector) is decided by the HDDs internal free running clock frequency. This clock is not equal to the interval of the byte clock for each zone. Therefore, the physical sector length cannot be described with a byte length.

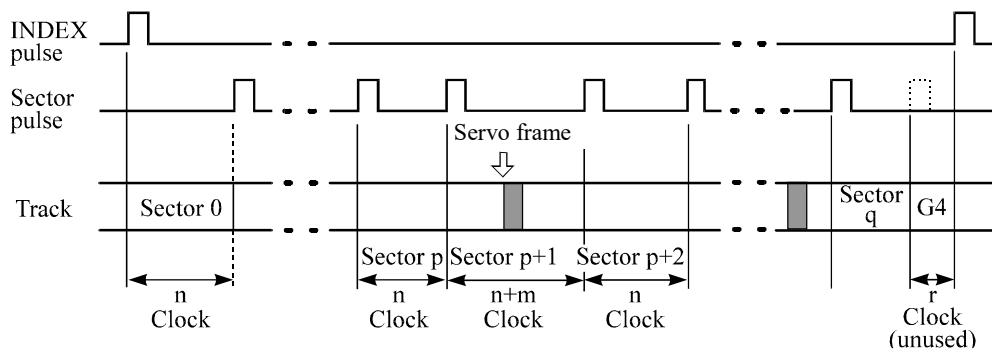


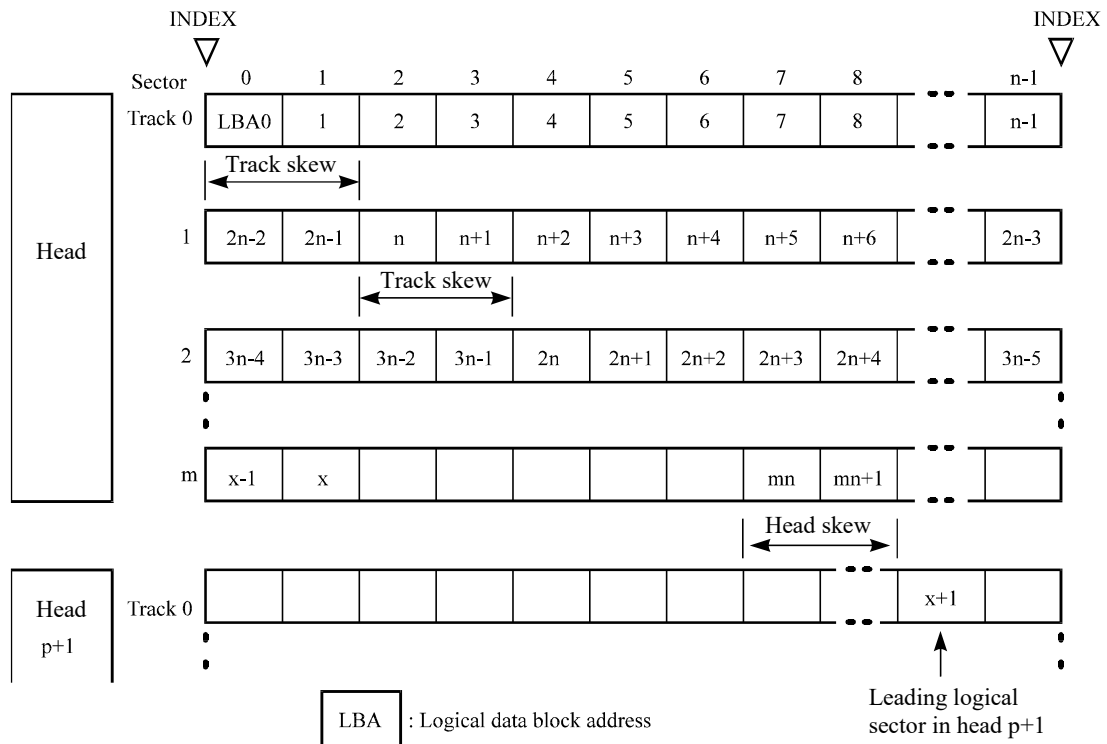
Figure 3.3 Track format

(2) Track skew and head skew

To avoid waiting for one turn involved in head and cylinder switching, the first logical data block in each track is shifted by the number of sectors (track skew and head skew) corresponding to the switching time. Figure 3.4 shows how the data block is allocated in each track.

At the cylinder switching location in a head, the first logical data block in track  $t + 1$  is allocated at the sector position which locates the track skew behind the sector position of the last logical data block sector in track  $t$ .

At the head switching location, like the cylinder switching location, the first logical data block in a cylinder is allocated at the sector position which locates the head skew behind the last logical sector position in the preceding cylinder.

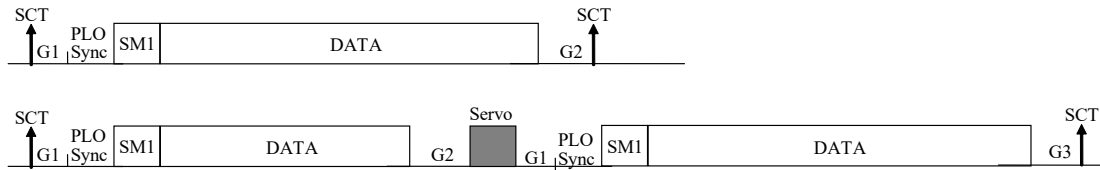


**Figure 3.4 Track skew/head skew**

The number of physical sectors (track skew factor and head skew factor) corresponding to the skew time varies depending on the logical data block length because the track skew and the head skew are managed for individual sectors. The HDD automatically determine appropriate values for the track skew factor and the head skew factor according to the specified logical data block length.

### 3.1.4 Sector Format

Each sector on the track consists of an ID field, a data field, and a gap field which separates them. Figure 3.5 gives sector format examples.



**Figure 3.5 Sector format**

Each sector on the track consists of the following fields:

- (1) Gaps (G1, G2, G3)

No pattern is written on the gap field.

- (2) PLO Sync

In this field, pattern X'00' is written.

- (3) Sync Mark (SM1)

In this field, special pattern is written. This special pattern indicates the beginning of the data field.

- (4) Data field (DATA)

Encoded data is stored in the data field of the sector. This length is composed of the logical data block, BCRC and MCRC. The logical data is specified with a parameter in the MODE SELECT command.

**3.1.5 Format Capacity**

The size of the usable area for storing user data on the HDD (format capacity) varies according to the logical data block or the size of the spare sector area. Table 3.1 lists examples of the format capacity when the typical logical data block length and the default spare area are used. The following is the general formula to calculate the format capacity.

The following formula must be used when the number of logical data blocks is specified with the parameter in the MODE SELECT command.

$$[\text{Format capacity}] = [\text{logical data block length}] \times [\text{number of logical data blocks}]$$

The logical data block length, the maximum logical block address, and the number of the logical data blocks can be read out by a READ CAPACITY, MODE SENSE command after initializing the disk.

**Table 3.1 Format capacity (1/2)**

Model number	Data block length (B)	User blocks		Format capacity	
MG09SCA18T A/AY MG09SCP18T A	4096	Non PI	105F0000h	18 TB (*1)	
		PI	1041C000h		
MG09SCA16T A/AY MG09SCP16T A		Non PI	E8D80000h	16 TB (*1)	
		PI	E7380000h		
MG09SCA14T A/AY MG09SCP14T A		Non PI	CBBC0000h	14 TB (*1)	
		PI	CA500000h		
MG09SCA12T A/AY MG09SCP12T A		Non PI	AEA00000h	12 TB (*1)	
		PI	AD680000h		
MG09SCA10T A/AY MG09SCP10T A		Non PI	91880000h	10 TB (*1)	
		PI	90840000h		
MG09SCA18T A/AY MG09SCP18T A		4160	Non PI	1009C0000h	18 TB (*1)
			PI	100200000h	
MG09SCA16T A/AY MG09SCP16T A	Non PI		E41C0000h	16 TB (*1)	
	PI		E3AC0000h		
MG09SCA14T A/AY MG09SCP14T A	Non PI		C7980000h	14 TB (*1)	
	PI		C7340000h		
MG09SCA12T A/AY MG09SCP12T A	Non PI		AB140000h	12 TB (*1)	
	PI		AAC00000h		
MG09SCA10T A/AY MG09SCP10T A	Non PI		8E900000h	10 TB (*1)	
	PI		8E4C0000h		
MG09SCA18T A/AY MG09SCP18T A	4224		Non PI	FCB80000h	18 TB (*1)
			PI	FC400000h	
MG09SCA16T A/AY MG09SCP16T A		Non PI	E0A80000h	16 TB (*1)	
		PI	E0380000h		
MG09SCA14T A/AY MG09SCP14T A		Non PI	C4900000h	14 TB (*1)	
		PI	C4300000h		
MG09SCA12T A/AY MG09SCP12T A		Non PI	A87C0000h	12 TB (*1)	
		PI	A8280000h		
MG09SCA10T A/AY MG09SCP10T A		Non PI	8C680000h	10 TB (*1)	
		PI	8C240000h		

(\*1) One terabyte (TB) = one trillion byte; accessible capacity will be less and actual capacity depends on the operating environment and formatting.

**Note:**

Total number of spare sectors is calculated by adding the number of spare sectors in each primary cylinder and the number of sectors in the alternate cylinders.

**Table 3.2 Format capacity (2/2)**

Model number	Data block length (B)	User blocks		Format capacity	
MG09SCA18T E/EY MG09SCP18T E	512	Non PI	82F800000h	18 TB (*1)	
		PI	804E00000h		
MG09SCA16T E/EY MG09SCP16T E		Non PI	746C00000h	16 TB (*1)	
		PI	720E00000h		
MG09SCA14T E/EY MG09SCP14T E		Non PI	65DE00000h	14 TB (*1)	
		PI	63CC00000h		
MG09SCA12T E/EY MG09SCP12T E		Non PI	575000000h	12 TB (*1)	
		PI	558A00000h		
MG09SCA10T E/EY MG09SCP10T E		Non PI	48C400000h	10 TB (*1)	
		PI	474800000h		
MG09SCA18T E/EY MG09SCP18T E		520	Non PI	804E00000h	18 TB (*1)
			PI	7E5C00000h	
MG09SCA16T E/EY MG09SCP16T E	Non PI		720E00000h	16 TB (*1)	
	PI		705400000h		
MG09SCA14T E/EY MG09SCP14T E	Non PI		63CC00000h	14 TB (*1)	
	PI		624800000h		
MG09SCA12T E/EY MG09SCP12T E	Non PI		558A00000h	12 TB (*1)	
	PI		543E00000h		
MG09SCA10T E/EY MG09SCP10T E	Non PI		474800000h	10 TB (*1)	
	PI		463400000h		
MG09SCA18T E/EY MG09SCP18T E	528		Non PI	7E5C00000h	18 TB (*1)
			PI	7C7A00000h	
MG09SCA16T E/EY MG09SCP16T E		Non PI	705400000h	16 TB (*1)	
		PI	6EA600000h		
MG09SCA14T E/EY MG09SCP14T E		Non PI	624800000h	14 TB (*1)	
		PI	60D000000h		
MG09SCA12T E/EY MG09SCP12T E		Non PI	543E00000h	12 TB (*1)	
		PI	52FC00000h		
MG09SCA10T E/EY MG09SCP10T E		Non PI	463400000h	10 TB (*1)	
		PI	452800000h		

(\*1) One terabyte (TB) = one trillion byte; accessible capacity will be less and actual capacity depends on the operating environment and formatting.

**Note:**

Total number of spare sectors is calculated by adding the number of spare sectors in each primary cylinder and the number of sectors in the alternate cylinders.

## 3.2 Logical Data Block Addressing

The HDDs relate a logical data block address to each physical sector at formatting. Data on the disk is accessed in logical data block units. The initiator specifies the data to be accessed using the logical data block address of that data.

### (1) Block address of user space

The logical data block address number is consecutively assigned to all of the data blocks in the user space starting with 0 to the first data block.

The HDDs treat sector 0, track 0, cylinder 0 as the first logical data block. The data block is allocated in ascending order of addresses in the following sequence.

- 1) Logical data blocks are assigned in ascending order of sector number in the same track.
- 2) Subsequent logical data blocks are assigned in ascending order of track number in the same head. Within the same track, logical data blocks are assigned in the same way as step 1).
- 3) Subsequent logical data blocks are assigned to sectors in every track in the same cell. Within the same track, logical data blocks are assigned in the same way as step 1) and 2).
- 4) After blocks have been assigned in the same cell according to steps 1) to 3), subsequent logical data blocks are assigned in ascending order of cell number in the same way as in steps 1) to 3). Logical data blocks are assigned starting from track 0 in the next cell until the last cylinder (immediately preceding the alternate cylinder n-1 shown in Figure 3.1).

When the logical data block is allocated, some sectors (track skew and head skew) shown in Figure 3.4 are provided to avoid waiting for one turn involving head and cylinder switching at the location where the track or the head is physically switched.

See Subsection 3.3.2 for defective/alternate block treatment and the logical data block allocation method in case of defective sectors exist on the disk.

### (2) Alternate area

Alternate areas in the user space (spare sectors in the HDD and alternate cylinders) are not included in the above logical data block addresses. Access to sectors which are allocated as an alternate block in the alternate area is made automatically by means of the HDD sector slip treatment or alternate block treatment (explained in Subsection 3.3.2), so the user does not have to worry about accessing the alternate area. The user cannot access with specifying the data block on the alternate area explicitly.



## 3.3 Defect Management

### 3.3.1 Defect List

Information of the defect location on the disk is managed by the defect list. The following are defect lists which the HDDs manage.

- P list (Primary defect list): This list consists of defect location information available at the HDD shipment and is recorded in a system space. The defects in this list are permanent, so the initiator must execute the alternate block allocation using this list when initializing the disk.
- D list (Data defect list): This list consists of defect location information specified in a FORMAT UNIT command by the initiator at the initialization of the disk. This information is recorded in the system space of the HDD as the G list. To execute the alternate block allocation, the FORMAT UNIT command must be specified.
- G list (Growth defect list): This list consists of defective logical data block location information specified in a REASSIGN BLOCKS command by the initiator, information on defective logical data blocks assigned alternate blocks by means of the HDD automatic alternate block allocation and information specified as the D list. They are recorded in the system space on the HDD.

The initiator can read out the contents of the P and G lists by the READ DEFECT DATA command.

### 3.3.2 Alternate Block Allocation

The alternate data block is allocated to a defective data block (= sectors) in defective sector units by means of the defect management method inside the HDDs. The initiator can access all logical data blocks in the user space, as long as there is no error.

Spare sectors to which alternate blocks are allocated can be provided in "alternate cylinders". See Subsection 3.2 for details.

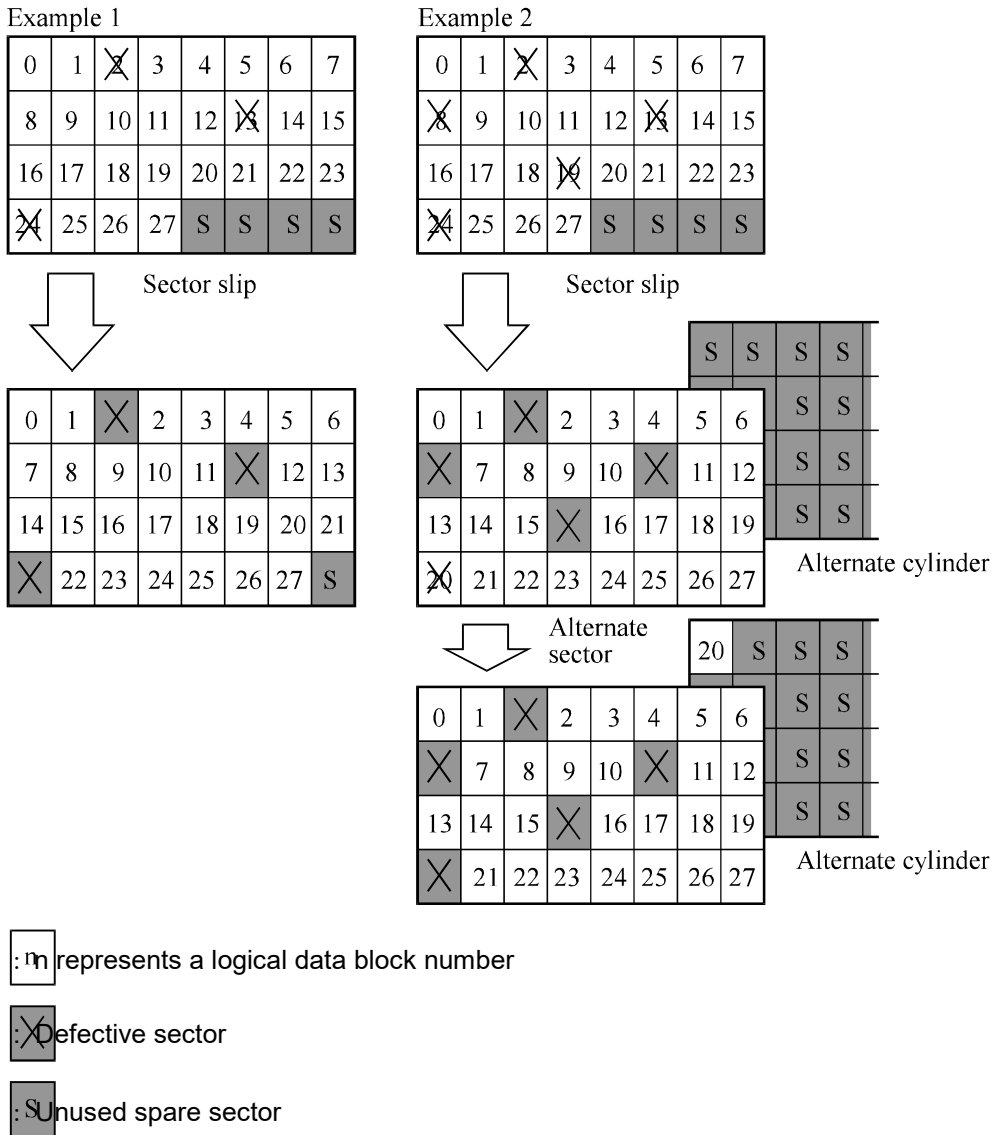
Both of the following are applicable to the alternate block allocation.

- Sector slip treatment: Defective sectors are skipped and the logical data block corresponding to those sectors is allocated to the next physical sectors.
- Alternate sector treatment: The logical data block corresponding to defective sectors is allocated to unused spare sectors in the alternate cylinder.

The alternate block allocation is executed by the FORMAT UNIT command, the REASSIGN BLOCKS command, or the automatic alternate block allocation. Refer to Subsection 6.3.2 "Auto alternate block allocation processing" of the SAS INTERFACE SPECIFICATION for details of specifications on these commands. The logical data block is allocated to the next physically continued sectors after the above sector slip treatment is made. On the other hand, the logical data block is allocated to spare sectors which are not physically consecutive to the adjacent logical data blocks. If a command which processes several logical data blocks is specified, the HDD processes those blocks in ascending order of logical data block.

(1) Alternate block allocation during FORMAT UNIT command execution

During FORMAT UNIT command execution, defective sectors registered in defect lists (P, G, or E) are reallocated by slipping sector until spare sectors in the cell are all used up. When they are used up, unused spare sectors in the alternate cylinder are allocated to the defective sectors that follow the sector by means of alternate sector treatment. Figure 3.6 is examples of the alternate block allocation during the FORMAT UNIT command execution.



**Figure 3.6 Alternate block allocation by FORMAT UNIT command**

During FORMAT UNIT command, alternate block allocation is conducted in following cases:

- 1) Unrecovered write offtrack condition during a media write
- 2) Uncorrectable Data Error during a media read (certification) \*1

If above errors are detected during FORMAT UNIT command, the HDDs allocate the alternate block(s) to the defective data blocks. Reassign procedure itself is the same as one in REASSIGN BLOCKS command.

\*1 Certification is permitted when DCRT flag is cleared (DCRT flag=0) in FORMAT UNIT command.

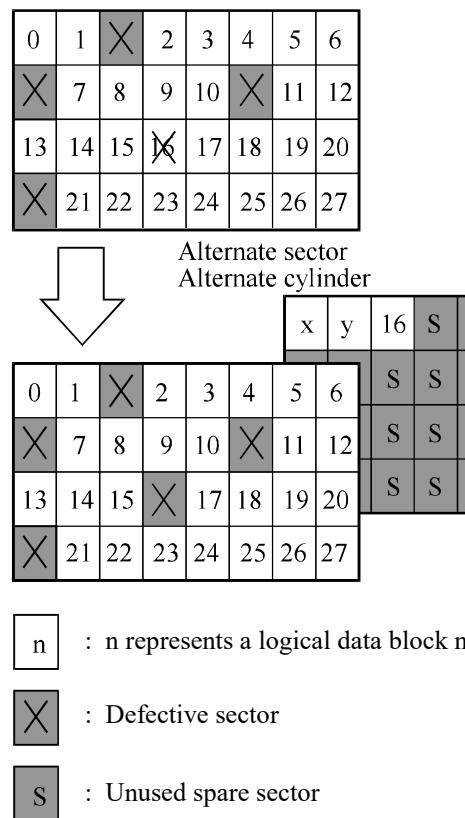
The HDDs check all initialized logical data blocks by reading them out after the above alternate block allocation is made to initialize (format) the disk.

(2) Alternate block allocation by REASSIGN BLOCKS command

When the REASSIGN BLOCKS command is specified, the alternate block is allocated to the defective logical data block specified by the initiator by means of alternate sector treatment. The alternate block is allocated to unused spare sectors in the alternate cylinder.

Figure 3.7 is examples of the alternate block allocation by the REASSIGN BLOCKS command.

Example Reassign: Block 16



**Figure 3.7 Alternate block allocation by REASSIGN BLOCKS command**

## (3) Automatic alternate block allocation

- Automatic alternate block allocation at read operation

If the ARRE flag in the MODE SELECT parameter permits the automatic alternate block allocation, the HDDs automatically execute the alternate block allocation and data duplication on the defective data block detected during the READ command. This allocation method is the same as with the REASSIGN BLOCKS command (alternate sector treatment).

- Automatic alternate block allocation at write operation

If AWRE flag in the MODE SELECT parameter permits the automatic alternate block allocation, the HDDs execute two kinds of automatic alternate processing during WRITE command processing as described below:

## Type 1 (Reassignment of Uncorrectable Read Error sector)

## 1) Commands to be applied

- WRITE
- WRITE at executing WRITE AND VERIFY

## 2) Application requirements

When any of the above commands is issued to LBA registered in the uncorrectable error log of the READ command (LBA log of uncorrectable error while the READ command is executed), the AWRE processing is applied.

## 3) AWRE processing

The following processings are performed when the LBA matches the one in the uncorrectable error log:

## a) Primary media check

- Creates an uncorrectable error pattern (invalid LBA pattern) in the position of the error LBA, repeats the primary media check up to three times. If the error still occurs after the check repeated three times, it is judged to be defective. Then, it performs the alternate processing.

## b) Alternate processing

- Alternate media check

Writes the data that causes an unrecoverable error into the alternate block, and performs the media check.

(If the alternate block is a defective sector, the block is registered to the G list, another alternate block is allocated.)

## c) SA and defect map update processing (on alternate side)

When an error occurs in the alternate processing, this WRITE command terminates with error.

When the alternate processing normally terminates, the WRITE command is executed.

## Type 2 (Reassignment of write fail sector)

## 1) Commands to be applied

- WRITE
- FORMAT UNIT
- WRITE at executing WRITE AND VERIFY

## 2) Application requirements / processing

When WRITE command detects any Servo error (e.g. Write offtrack error) and cannot be recovered within pre-determined retry number (specified in Mode Parameter). For the sectors around defective Servo, alternate blocks are allocated and the data of this WRITE commands are re-written.

Sectors to be made AWRE shall be following:

- the sector where the error occurs and the latter sectors and,
- the sectors whose data are logically continual and stored in Cache,
- the sectors which will be processed in this Write command and,
- the sectors which locate between erroneous Servo -1 and +1 (including Split sector)

This function is also applied for the sector that has already been re-assigned.

Remark:

When a write protection is prohibited through the setting terminal, the auto alternate block allocation processing specification is disabled.

## IMPORTANT

Automatic alternate block allocation is made up to the following quantities during the execution of one command:

ARRE = Twice

AWRE (Type 1) = 16 times

AWRE (Type 2) = Maximum number which can be  
processed within the recovery time  
limit

If more than the above mentioned defective block is detected, the alternate block assignment processing for the first defective block is executed but the alternate block assignment processing for the second one is not executed and the command being executed terminates. However, the initiator can recover the twice error by issuing the same command again.

When an error is detected in a data block in the data area, recovery data is rewritten and verified in automatic alternate block allocation during the execution of the READ command. Alternate block allocation will not be made for the data block if recovery is successful.

Example: Even if the data error which is recoverable by the WRITE LONG command is simulated, automatic alternate block allocation will not be made for the data block.

**3.4 MODE SELECT parameter: pages 3, 4**

Table 3.2 lists details of each parameter value on pages 3, 4, and C. (Note that the specifications stated here may be revised without prior notice.)

**Table 3.3 Details of parameters on MODE SELECT parameter: pages 3, 4**

Page	Byte		MG09SCA18T	MG09SCA16T	MG09SCA14T	MG09SCA12T	MG09SCA10T
			MG09SCP18T	MG09SCP16T	MG09SCP14T	MG09SCP12T	MG09SCP10T
			18 TB	16 TB	14 TB	12 TB	10 TB
			Sector = 4kn / 512e B				
3	2-3	Number of tracks per zone	0EA0h	0D00h	0B60h	09C0h	0820h
	4-5	Number of alternate sectors per zone	0000h				
	8-9	Number of alternate tracks per zone	0510h	0480h	03F0h	0360h	02D0h
	10-11	Number of sectors per track	02DDh (4kn) / 16E8h (512e)				
4	2-4	Number of cylinders	08315Ah				
	5	Number of heads	12h	10h	0Eh	0Ch	0Ah

## **CHAPTER 4    Installation Requirements**

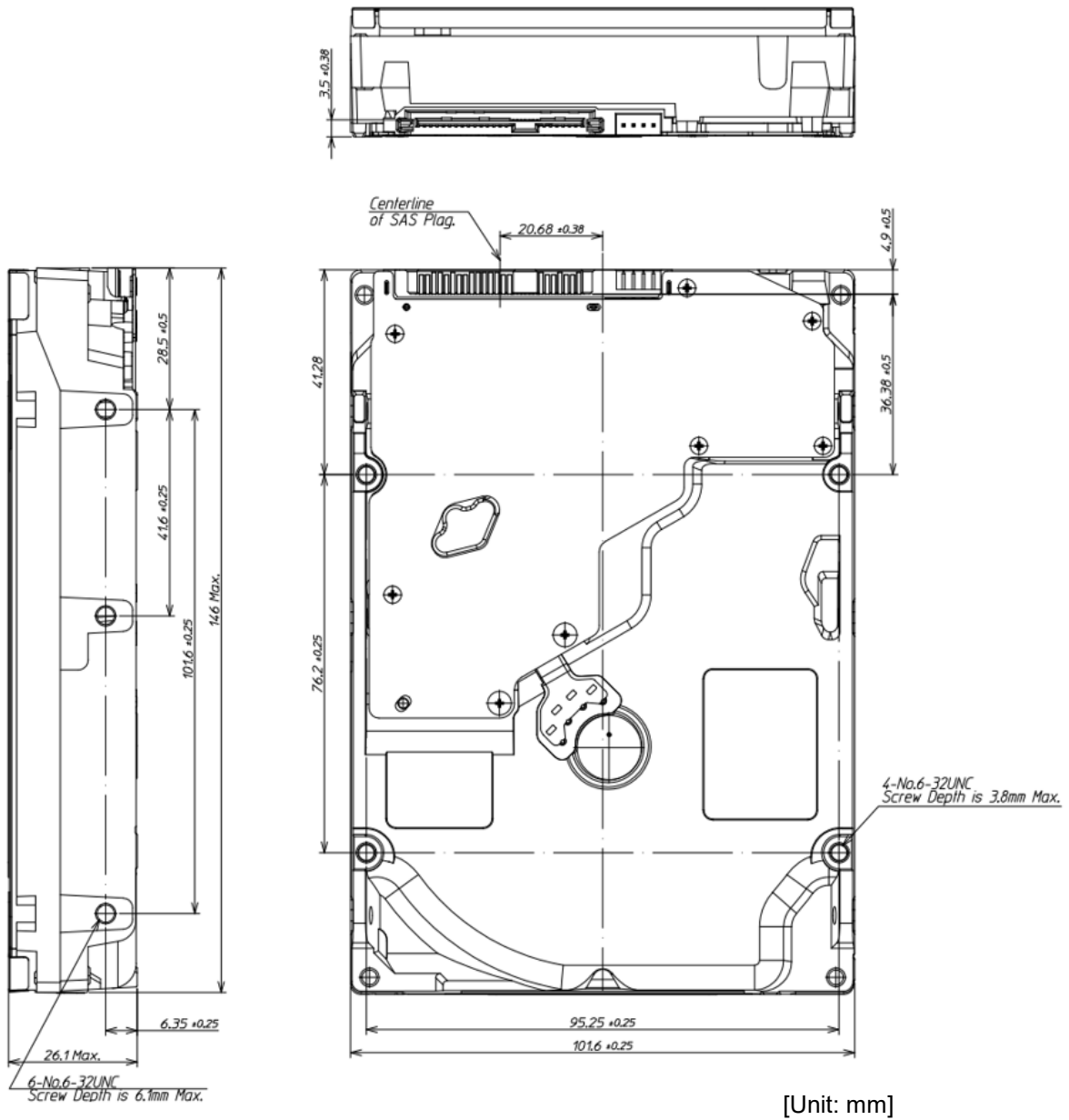
- |   |
|---|
| <ul style="list-style-type: none"><li><b>4.1    Mounting Requirements</b></li><li><b>4.2    Power Supply Requirements</b></li><li><b>4.3    Connection Requirements</b></li></ul> |
|---|

This chapter describes the mounting, power supply, connection, and environmental requirements.

## 4.1 Mounting Requirements

### 4.1.1 Dimensions

Figure 4.1 show the dimensions of the HDDs and the location of the mounting screw holes.

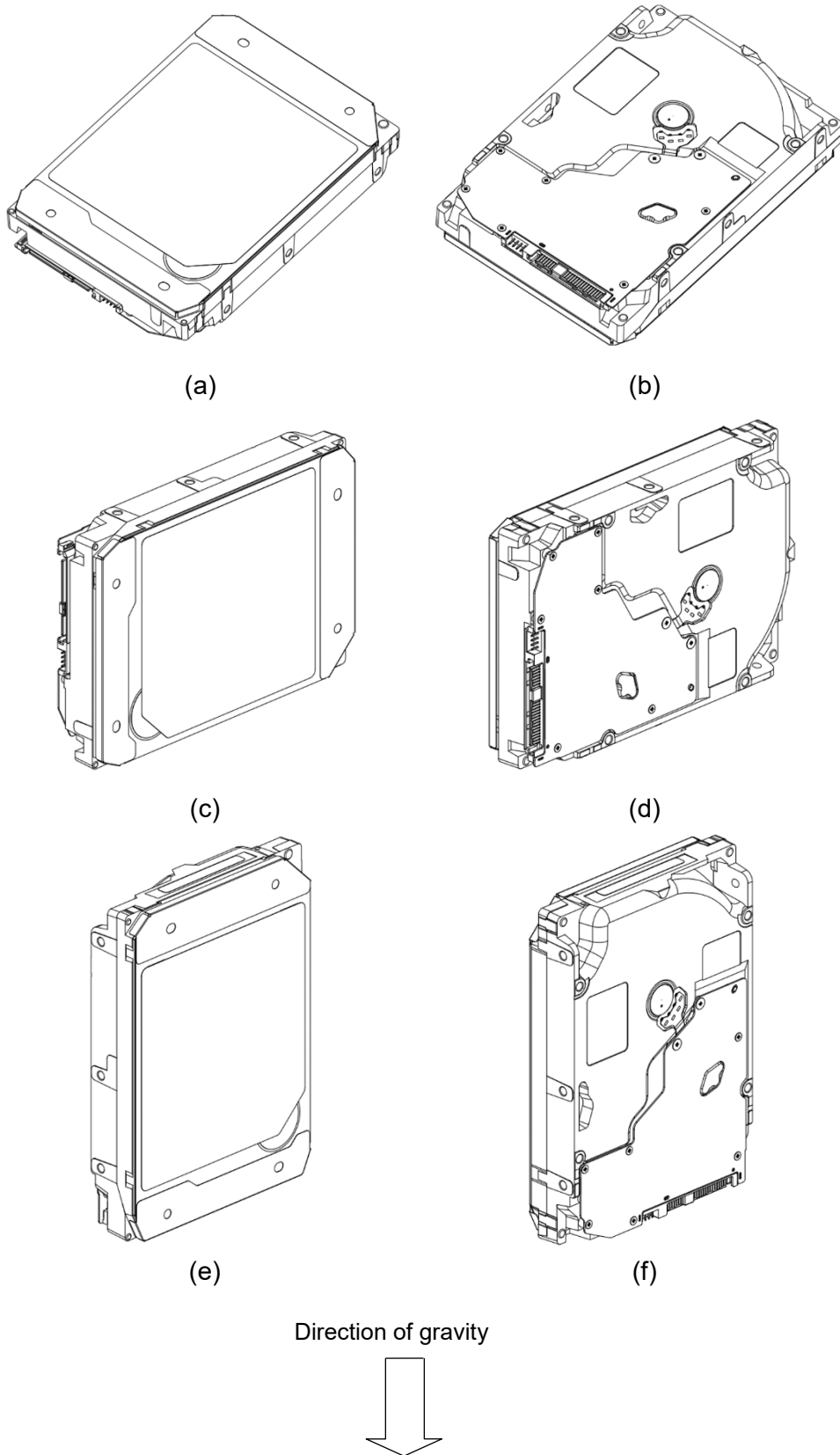


**Figure 4.1 Dimensions**




**4.1.2 Mounting Orientations**

As shown in Figure 4.2, the HDD can be installed flat on any of its six sides. Inclination from a vertical or horizontal plane should not exceed 5 degree angle.



**Figure 4.2 HDD Orientations**

**4.1.3 Notes on Mounting**

<b>CAUTION</b>	
 <b>Prohibited</b>	<p><b>Damage</b></p> <p>Do not remove any labels from the HDD or deface the HDDs in any way. HDDs, whether in whole or in part. Failure to do so voids any warranty, expressed or implied.</p>

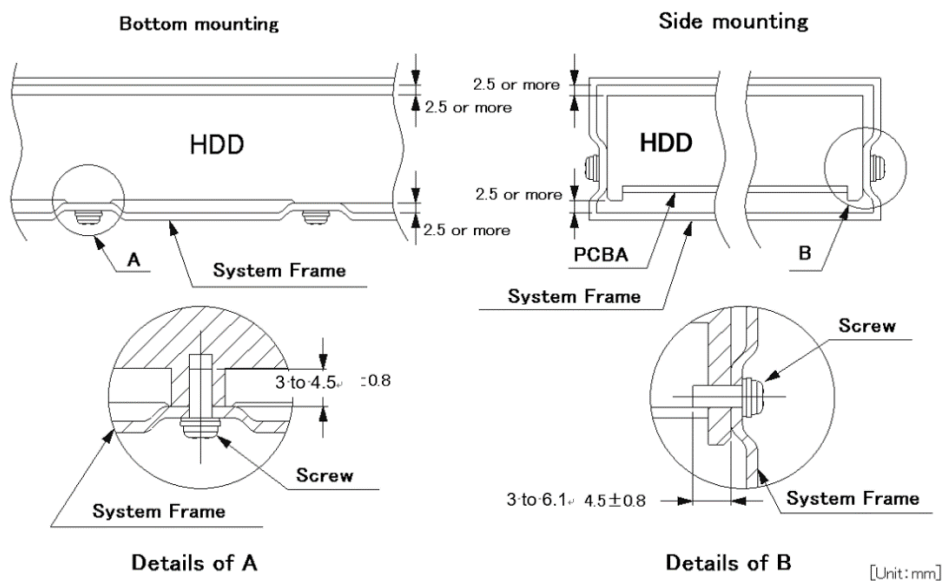
(1) Mounting screw

The mounting screws must use No.6-32UNC

(2) Mounting frame structure

As for a system frame structure mounting the HDDs, the following attentions are required.

- a) The frame shall not touch the PCBA of the HDDs. For example as shown in Figure 4.3, mount the HDDs with a gap of 2.5 mm or more from the frame.
- b) As shown in Figure 4.3, the inward projection of the screw from the HDD frame wall at the corner must be 3 to 4.5 mm on the bottom mounting, 3 to 6.1 mm on the side mounting.
- c) Tightening torque of screw must be secured with  $0.59 \text{ N}\cdot\text{m} \{ 6 \text{ kgf}\cdot\text{cm} \} \pm 12 \%$ .
- d) The frame must not distort the HDDs.
- e) The impact by an electric screwdriver must not exceed the HDD specifications.



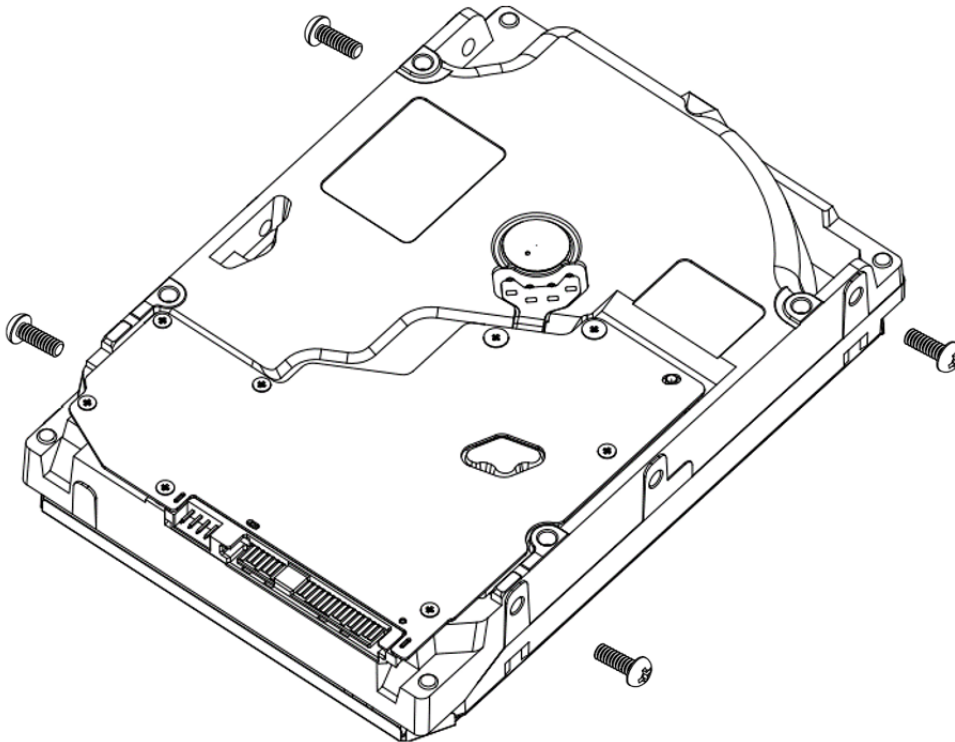
**Figure 4.3 Mounting frame structure example**

(3) Limitation of side-mounting

Mount the HDDs using the 4 screw holes at the both ends on the both sides as shown in Figure 4.4. Do not use the center hole by itself.

In case of using the center hole, it must be used in combination with 2 holes on both ends.

(Total 6 screws for 6 holes enclosed)



**Figure 4.4 Limitation of side-mounting**

(4) Limitation of bottom-mounting

Use all 4 mounting holds on the bottom face.

(5) Environmental temperature

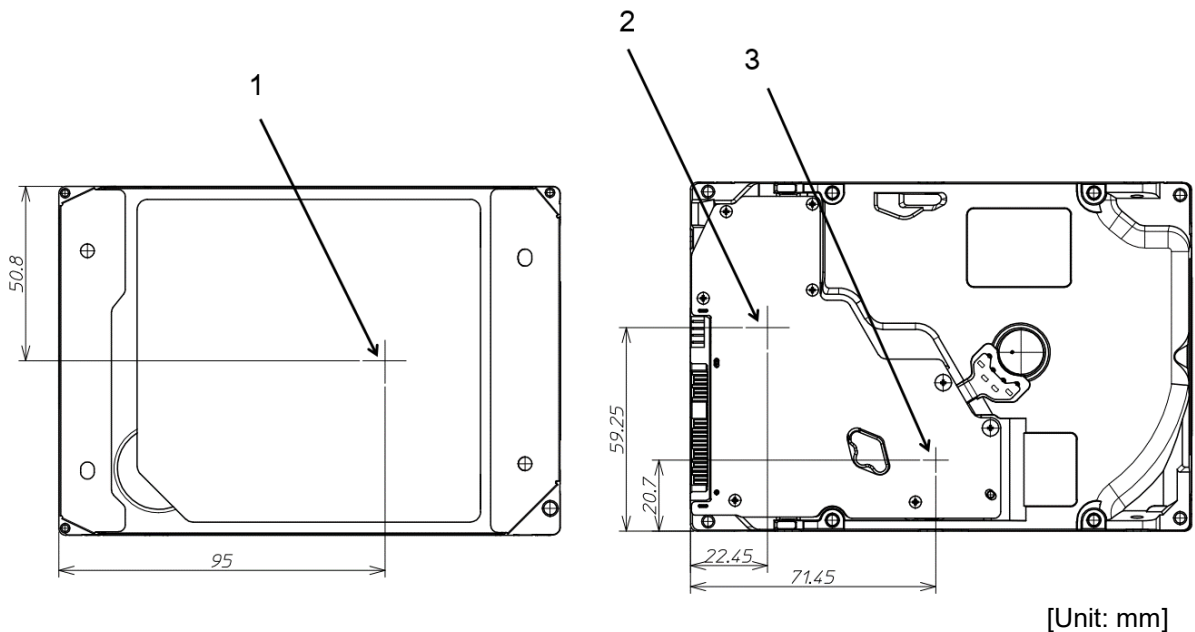
Temperature condition at installed in a cabinet is indicated with ambient temperature measured 30 mm from the HDD. At designing the system cabinet, consider following points.

Make a suitable air flow so that the enclosure surface temperature never exceeds 60 °C.

- Cool the PCBA side especially with air circulation inside the cabinet. Confirm the cooling effect by measuring the surface temperature of the PCBA and the HDA. These measurement results must satisfy the temperature condition listed in Table 4.1.
- Keep the enclosure surface temperature at 40 °C or below to meet the condition for assuring an MTTF of 2 500 000 hours.

**Table 4.1 Surface temperature check point and maximum temperature**

Measurement point	Maximum temperature
1 (Enclosure surface)	60 °C
2 (PCBA surface)	91 °C
3 (PCBA surface)	92 °C



**Figure 4.5 Surface temperature measurement points**

(6) Environmental magnetic field

Do not install the HDDs in the vicinity of equipment giving off strong magnetic fields, such as monitors, televisions, or loudspeakers.

(7) Leakage magnetic flux

Do not mount the HDDs near the devices which may be affected by leakage magnetic.

## 4.2 Power Supply Requirements

(1) Allowable input voltage and current

The power supply input voltage measured at the power supply connector pin of the HDDs (receiving end) must satisfy the requirement given in Subsection 2.1.4. (For other requirements, see Items (3) and (4) below.)

(2) Power on/off sequence

The order of the power on/off sequence of DC +5 V and DC +12 V, supplied to the HDDs, does not matter.

(3) Sequential starting of spindle motors

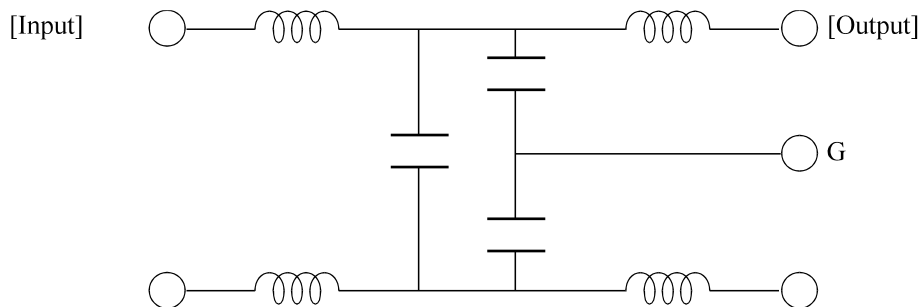
After power is turned on to the HDDs, a large amount of current flows in the DC +12 V line when the spindle motor rotation starts. Therefore, if more than one HDD are the spindle motors should be started sequentially using one of the following procedures to prevent overload of the power supply unit.

- a) Control the sending of the NOTIFY (ENABLE SPINUP) primitives in intervals of 12 seconds or more so that the spindle motors of individual HDDs are started sequentially.
- b) Turn on the DC +12 V power in the power supply unit at intervals of 25 seconds or more to start the spindle motors sequentially.

(4) Noise filter

To eliminate AC line noise, a noise filter should be installed at the AC input terminal on the HDD power supply unit. The specification of this noise filter is as follows:

- Attenuation: 40 dB or more at 10 MHz
- Circuit construction: T-configuration as shown in Figure 4.6 is recommended.

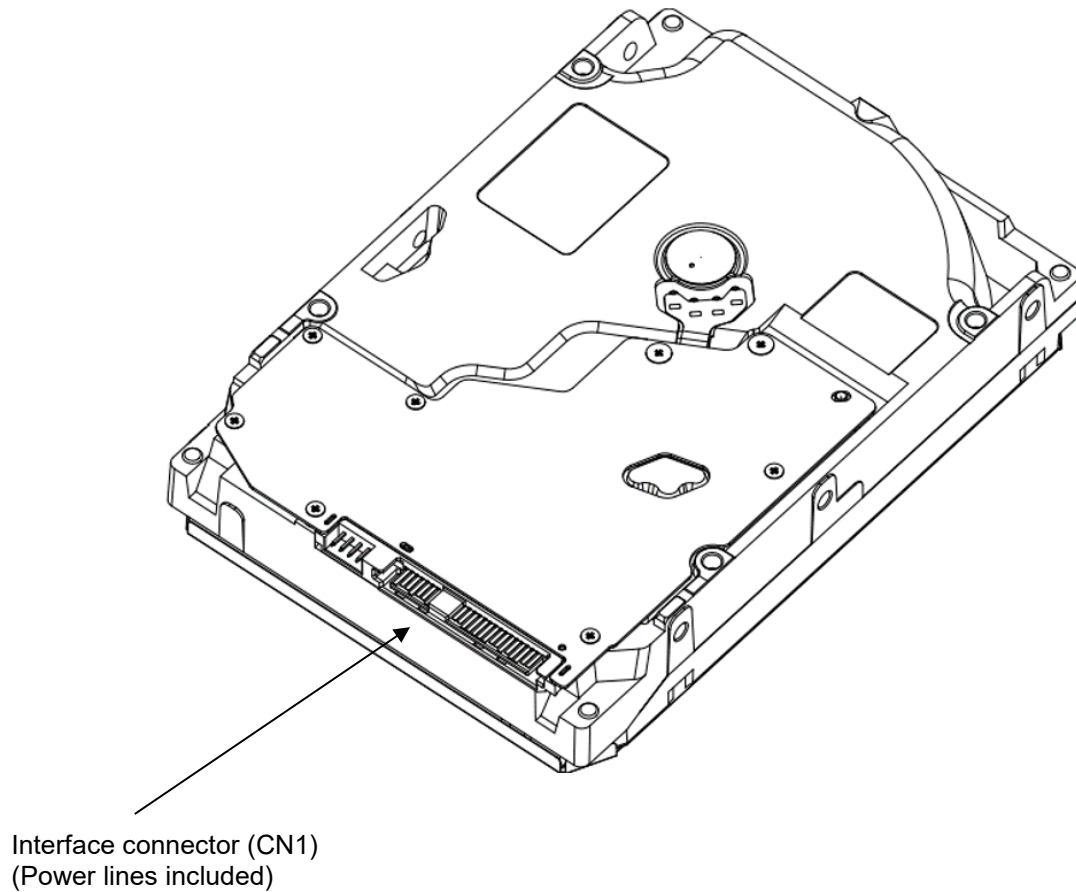


**Figure 4.6 AC noise filter (recommended)**

## 4.3 Connection Requirements

### 4.3.1 Connector Location

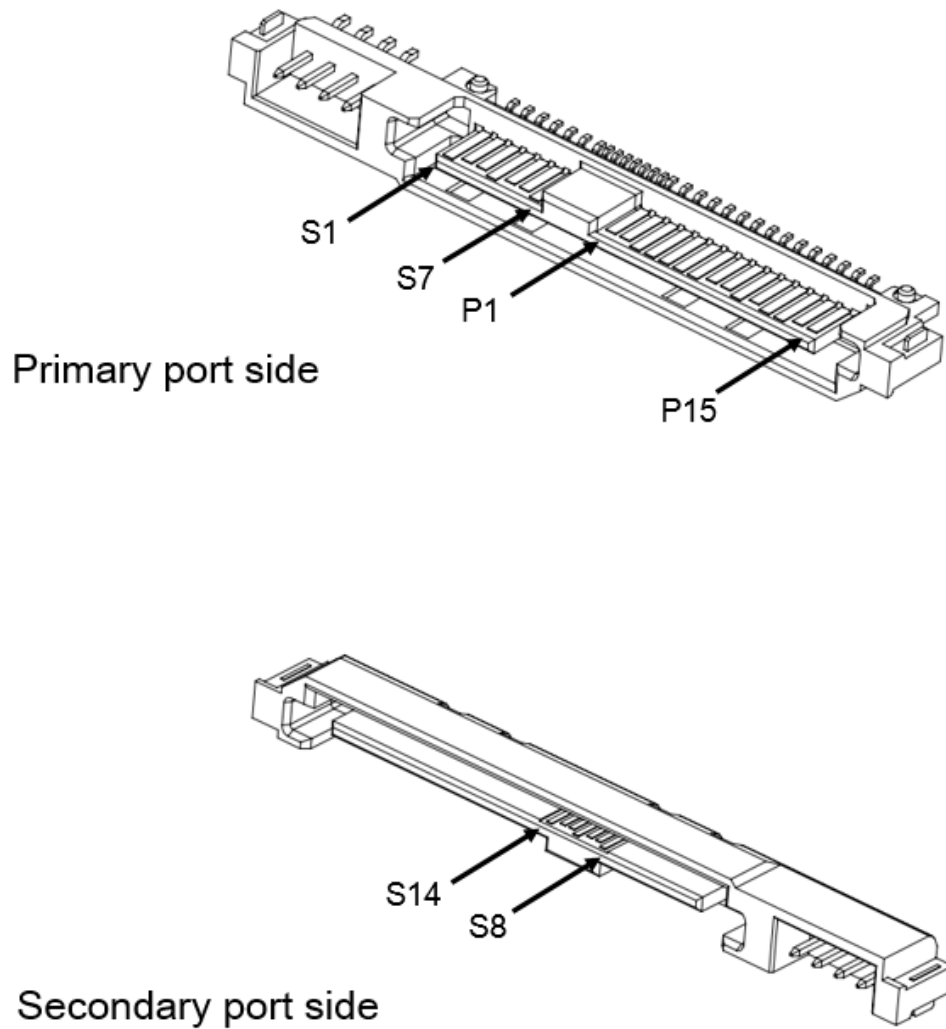
Figure 4.7 shows a location of the interface connector.



**Figure 4.7 Connector location**

Interface Connector

Figure 4.8 shows the SAS type interface connector (SAS plug) overview.  
 Table 4.2 lists the signal allocation of the SAS plug on the HDDs.



**Figure 4.8 SAS plug connector overview**

Table 4.2 Interface connector (SAS plug) signal allocation:CN1

Pin No.	Signal	Description
S1	GND	GND for SAS Primary Port
S2	RP+	SAS Primary Port Receive (positive) signal
S3	RP-	SAS Primary Port Receive (negative) signal
S4	GND	GND for SAS Primary Port
S5	TP-	SAS Primary Port Transmit (negative) signal
S6	TP+	SAS Primary Port Transmit (positive) signal
S7	GND	GND for SAS Primary Port
S8	GND	GND for SAS Secondary Port
S9	RS+	SAS Secondary Port Receive (positive) signal
S10	RS-	SAS Secondary Port Receive (negative) signal
S11	GND	GND for SAS Secondary Port
S12	TS-	SAS Secondary Port Transmit (negative) signal
S13	TS+	SAS Secondary Port Transmit (positive) signal
S14	GND	GND for SAS Secondary Port
P1 (*1)	Reserved	Do not supply 3.3 V power if POWER DISABLE Function is used.
P2 (*1)	Reserved	
P3 (*2)	POWER DISABLE	Power Disable Control input signal
P4	GND	GROUND
P5	GND	GROUND
P6	GND	GROUND
P7	+ 5 V-Charge	Pre-charge pin for + 5 V
P8	+ 5 V	+ 5 V power supply input
P9	+ 5 V	+ 5 V power supply input
P10	GND	GROUND
P11	READY LED	READY LED output
P12	GND	GROUND
P13	+ 12 V-Charge	Pre-charge pin for + 12 V
P14	+ 12 V	+ 12 V power supply input
P15	+ 12 V	+ 12 V power supply input

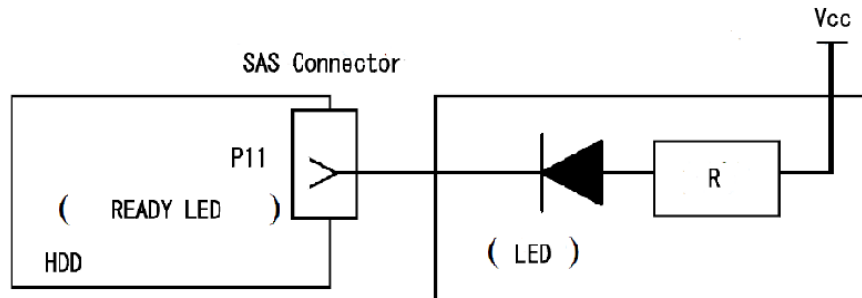
(\* 1) Do not supply 3.3 V power if POWER DISABLE feature is used.

(\* 2) The terminal P3 is used as POWER DISABLE control signal in SAS-3. This terminal connects with the GROUND or is an OPENED thing on the host side when the POWER DISABLE function is not used.



### 4.3.2 Ready LED Output Signal

Figure 4.9 shows a recommended circuit for external LED connection to Ready LED output signal.



**Figure 4.9 Recommended external circuit for Ready LED output**

Either + 3.3 V or + 5 V can be used for external power supply for LED (Vcc). Current limiting resistor (R) value need to be adjusted depend on the Vcc voltage. For + 3.3 V Vcc voltage, recommended resistance is 220 Ω. For + 5 V Vcc voltage, recommended resistance is 330 Ω.

	Minimum	Maximum
Absolute maximum Vcc voltage range	- 0.5 V	5.25 V

### 4.3.3 Connector Requirements

Table 4.3 lists the recommended connectors for the host system.

**Table 4.3 Recommended connectors**

Manufacture	Part number	Remarks
Tyco Electronics AMP	1735104-1	Hybrid (SMT/Dip) type
	1735105-1	SMT type
	1735164-1	Press Fit Type
	1735234-1	Press Fit Type
Fujikura	SAS-RA29-S1AA-FG	Vertical SMT with Tab
	SAS-RC29-S1AA-FG	Vertical SMT with Lock pin
	SAS-RC29-S1AB-FG	Vertical SMT with Lock pin

### 4.3.4 POWER DISABLE Control input signal

When this signal is asserted at the High level, +5 V and +12 V power supply to the inside of the drive is cut with the switch in the HDDs. +5 V and +12 V power supply to the inside of the HDDs restarts when this signal is asserted at the Low level, and the drive begins the start processing according to the same procedure as turning on the power supply usually.

	Minimum	Maximum
Absolute maximum input voltage range	- 0.5 V	3.6 V
Negated voltage (power on)	- 0.5 V	0.7 V
Asserted voltage (power disabled)	2.1 V	3.6 V

## CHAPTER 5 Installation

- |   |
|---|
| <ul style="list-style-type: none"><li><b>5.1 Notes on Handling HDDs</b></li><li><b>5.2 Setting</b></li><li><b>5.3 Mounting HDDs</b></li><li><b>5.4 Checking Operation after Installation and Preparing the HDDs for Use</b></li><li><b>5.5 Dismounting HDDs</b></li></ul> |
|---|



This chapter describes the notes on handling HDDs, setting, mounting HDDs, confirming HDD operations after installation and preparation for use, and dismounting HDDs.

## 5.1 Notes on Handling HDDs

The items listed in the specifications (Subsection 2.1.2, 2.1.3 and 2.1.4) must be strictly observed.

(1) General notes

- a) Do not give the HDD shocks or vibrations exceeding the value defined in the specifications because it may cause critical damage to the HDD. Especially be careful when unpacking.
- b) Do not leave the HDD in a dirty or contaminated environment.
- c) Since Electrostatic Discharge (ESD) may destroy the CMOS semiconductors in the HDD, note the following after unpacking:
  - Use an antistatic mat and body grounding when handling the HDD.
  - Hold the HDA when handling the HDD. Do not touch PCAs except for setting.
- d) There are sharp edges, corners and protrusions in a drive. Please be careful with safety when handling.

<b>⚠ CAUTION</b>	
 <b>Prohibited</b>	<b>Safety</b> Do not touch sharp edges or pins of the drive. Sharp edges and protrusions etc. may cause injury.
 <b>Instructions</b>	<b>High temperature</b> To prevent injury such as burn, do not touch the HDD while it is hot. The HDA and LSI become hot during operation and remain hot immediately after turning off the power.

- (2) Unpackaging
  - a) Use a flat work area. Check that the "This Side Up" sign side is up. Handle the package on soft material such as a rubber mat, not on hard material such as a desk.
  - b) Be careful not to give excess pressure to the internal unit when removing cushions.
  - c) Be careful not to give excess pressure to the PCBA and interface connector when removing the HDD from the antistatic bag.
  - d) Do not remove any labels from the HDD. Never open the HDA for any reason.
- (3) Installation/removal/replacement
  - a) Do not move the HDD when power is turned on or until the HDD completely stops (for 30 seconds) after power is turned off.
  - b) Place and keep removed screws and other parts where they will not get lost or damaged.
  - c) Keep a record of all maintenance work for replacing.
- (4) Packaging
  - a) Store the HDD in the antistatic bag.
  - b) It is recommended to use the same cushions and packages as those at delivery. (For details, see Section 6.5.) If those at delivery cannot be used, use a package with shock absorption so that the HDD is free from direct shocks. In this case, fully protect the PCBA and interface connector so that they are not damaged.
- (5) Delivery
  - a) When delivering the HDD, provide packaging and do not turn it over.
  - b) Minimize the delivery distance after unpacking and avoid shocks and vibrations with cushions. For the carrying direction at delivery, use one of the mount allowable directions in Subsection 4.1.2.
- (6) Storage
  - a) Provide moistureproof packaging for storage.
  - b) The storage environment must satisfy the requirements specified in Subsection 2.1.3 when the HDD is not operating.
  - c) To prevent condensation, avoid sudden changes in temperature.

## 5.2 Setting

### 5.2.1 Port Address

Every device that uses the SAS interface has a unique SAS address, and commands use an SAS address to identify each device for I/O operations. Every HDD is assigned a unique SAS address before shipment from the factory, so setting of an address is not required before the HDDs are used.

## 5.3 Mounting HDDs

### 5.3.1 Mounting Procedures

Since mounting the HDD depends on the system cabinet structure, determine the work procedures considering the requirements specific to each system. The general mounting method and items to be checked are shown below.

See Section 4.1 for the details of requirements for installing the HDDs.

- 1) Fix the HDD in the system cabinet with four mounting screws as follows:
  - The HDD has 8 mounting holes (both sides: 2 × 2, bottom: 4). Fix the HDD by using four mounting holes of both sides of the HDD or the bottom.
  - Use mounting screws of which lengths inside the HDD mounting frame are the bottom mounting : 3 to 4.5 mm / the side mounting : 3 to 6.1 mm when the screws are tightened (see Figure 4.3).
  - When mounting the HDD, be careful not to damage the PCBA.
- 2) Confirm the HDA is not touching the frame on the system side excluding the screw installing part after tightening the screws. At least 2.5 mm of clearance is required between the HDA and the frame (see Figure 4.3).
- 3) When using an electric screwdriver, use the screwdriver that does not apply a force on the HDD that would exceed the HDD specifications.

## 5.4 Checking Operation after Installation and Preparing the HDDs for Use

### 5.4.1 Checking Initial Operation

The procedure for verifying operation after power-on is explained below.

(1) Initial diagnosis at power-on:

- a) When the HDDs are turned on, the HDDs perform the initial self-diagnosis (controller hardware diagnosis). If external LED is connected, it blinks.
- b) When the SAS protocol controller diagnosis is completed normally, the HDDs start the LINK RESET sequence defined by the SAS protocol to establish synchronization with the connected SAS devices (e.g., the host system).
- c) When the initial diagnosis is completed normally, the HDDs can respond to commands from the host.

(2) Verifying interface connection:

When verification of initial operation after power-on is completed normally, the host system checks whether the HDD connection to the interface is normal. The procedure for this check depends on the host system configuration. The following is a general check procedure:

- a) Confirm that the transfer rate and HDD SAS addresses can be recognized during the LINK RESET sequence.
- b) Issue the INQUIRY, WRITE BUFFER, and READ BUFFER commands to verify that data is received and transmitted normally in the interface.

(3) Verifying HDD operation:

When the LINK RESET sequence has completed, the host system can issue a spindle motor start instruction and check whether the HDD is ready to operate.

- a) The host system instructs the spindle motor to start by sending the NOTIFY (ENABLE SPINUP) primitive to the HDD.
- b) The HDDs do not start the motor until the NOTIFY (ENABLE SPINUP) primitive is issued.
- c) The HDD enters the ready state within about 60 seconds after the NOTIFY (ENABLE SPINUP) primitive is issued.
- d) If the external LED is connected, it blinks (flashes on and off every 0.5 seconds) while the motor is running.
- e) After the HDDs enter the ready state, the host system can use the TEST UNIT READY command to confirm that the HDDs are in the ready state. If the external LED is connected, the LED is on or off (depending on the READY LED MEANING setting of Mode Page 19).

- (4) Responses to operation errors:
  - a) Confirm again that connectors are securely attached to cables.
  - b) Check whether the supply voltage is supplied normally. (Measure the voltage at the power connectors of the HDDs.)
  - c) Issue the REQUEST SENSE command to collect sense data. When sense data has been collected successfully, perform an analysis to check for recoverable errors, and retry operations for recovery from any such errors.
- (5) Checking at abnormal end

When sense data can be obtained, analyze the sense data and retry recovery for a recoverable error. Refer to Chapter 6 "Sense Data and Error Recovery Method" of the SAS INTERFACE SPECIFICATION for further details.

## 5.4.2 Formatting

Since the HDD is formatted with a specific (default) data format for each model (part number) when shipped from the factory, the disk need not be formatted (initialized) when it is installed in the system.

However, when the system needs data attributes different from the default format, all sides of the disk must be formatted (initialized) according to the procedures below.

The user can change the following data attributes at initialization:

- Logical data block length
- Number of logical data blocks in the user space

This section outlines the formatting at installation. Refer to Subsection 4.1.5 "MODE SELECT (6)", 4.1.6 "MODE SELECT (10)", 4.3.1 "FORMAT UNIT", and Chapter 7 "Disk Media Management" of the SAS INTERFACE SPECIFICATION for further details.

### (1) MODE SELECT command

Specify the format attributes on the disk with the MODE SELECT command. The parameters are as follows.

Block descriptor

Specify the size (byte length) of the logical data block in the "data block length" field. To explicitly specify the number of logical data blocks, specify the number in the "number of data blocks" field. Otherwise, specify 0 in "number of data blocks" field. In this case, the currently set value is used.

### (2) FORMAT UNIT command

Initialize entire recording surface of the disk with the FORMAT UNIT command. The FORMAT UNIT command initializes entire surface of the disk using the P lists, verifies data blocks after initialization, and allocates an alternate block for a defect block detected with verification. With initialization, the pattern specified with the initialization data pattern field is written into all bytes of all logical data blocks. Only the position information of defect blocks detected with verification is registered in the G list. The specifications are as follows:

#### a. Specifying CDB

Specify 0 for the "FmtData" bit and the "CmpLst" bit on CDB, 000 for the "Defect List Format" field, and data pattern written into the data block at initialization for the "initializing data pattern" field.

#### b. Format parameter

When the values in step a. are specified with CDB, the format parameter is not needed.



### 5.4.3 Setting Parameters

The user can specify the optimal operation mode for the user system environments by setting the following parameters with the MODE SELECT command:

- Error recovery parameter
- Caching parameter
- Control mode parameter

With the MODE SELECT command, specify 1 for the "SP" bit on CDB to save the specified parameter value on the disk. This enables the HDDs to operate by using the parameter value set by the user when power is turned on again.

When the parameters are not set or saved with the MODE SELECT command, the HDDs set the default values for parameters and operates when power is turned on or after reset. Although the HDD operations are assured with the default values, the operations are not always optimal for the system. To obtain the best performance, set the parameters in consideration of the system requirements specific to the user.

This section outlines the parameter setting procedures. Refer to Subsection 4.1.5 "MODE SELECT (6)", 4.1.6 "MODE SELECT (10)" of the SAS INTERFACE SPECIFICATION for further details of the MODE SELECT commands and specifying the parameters.

## IMPORTANT

1. At factory shipment of the HDDs, the saving operation for the MODE SELECT parameter is not executed. So, if the user does not set parameters, the HDDs operate according to the default value of each parameter.
2. The MODE SELECT parameter is not saved for each initiator but as the common parameter for all initiator. In the multi-initiator system, parameter setting cannot be changed for each initiator.
3. Once parameters are saved, the saved value is effective as long as next saving operation is executed from the initiator. For example, even if the initialization of the disk is performed by the FORMAT UNIT command, the saved value of parameters described in this section is not affected.
4. When the HDDs, to which the saving operation has been executed on a system, are connected to another system, the user must pay attention to that the HDDs operate according to the saved parameter value if the saving operation is not executed at installation.
5. The saved value of the MODE SELECT parameter is assumed as the initial value of each parameter after the power-on, the HARD RESET sequence, or the LOGICAL UNIT RESET frame.  
The initiator can change the parameter value temporary (actively) at any timing by issuing the MODE SELECT command with specifying "0" to the SP bit in the DB.

(1) Error recovery parameters

The following parameters are used to control operations such as HDD internal error recovery:

a. Read/write error recovery parameters (page code = 1)

Parameter	Default value
• AWRE: Automatic alternate block allocation at Write operation	1 (enabled)
• ARRE: Automatic alternate block allocation at read operation	1 (enabled)
• TB: Uncorrectable data transfer to the initiator	0 (disabled)
• EER: Immediate correction of correctable error	1 (enabled)
• PER: Report of recovered error	0 (disabled)
• DCR: Suppression of ECC error correction	0 (Correction is enabled.)
• RETRY COUNT AT READ OPERATION	63
• RETRY COUNT AT WRITE OPERATION	63
• RECOVERY TIME LIMIT	30 s

b. Verify error recovery parameters (page code = 7)

Parameter	Default value
• ERR: Immediate correction of recoverable error	1 (enabled)
• PER: Report of recovered error	0 (disabled)
• DTE: Stop of command processing at successful error recovery	0 (Processing is continued.)
• DCR: Suppression of ECC error correction	0 (Correction is enabled.)
• RETRY COUNT AT VERIFICATION	63

c. Additional error recovery parameters (page code = 21)

Parameter	Default value
• Retry count at seek error	15

**Notes:**

1. The user can arbitrarily specify the following parameters according to the system requirements:
  - ARRE
  - AWRE
  - TB
  - PER
2. The user also can arbitrarily specify parameters other than the above. However, it is recommended to use the default setting in normal operations.

(2) Caching parameters (page code = 8)

The following parameters are used to optimize HDD Read-Ahead caching operations under the system environments. Refer to Chapter 3 "Data Buffer Management" of the SAS INTERFACE SPECIFICATION for further details.

Parameter	Default value
• IC: Initiator control	0 (HDD-specific control (page cache))
• RCD: Disabling Read-Ahead caching operations	0 (enabled)
• WCE: Write Cache Enable	1 (enabled)
• MF: Specifying the multipliers of "MINIMUM PRE-FETCH" and "MAXIMUM PRE-FETCH" parameters	0 (Specifying absolute value)
• DISC: Prefetch operation after track switching during prefetching	1 (enabled)
• FSW: Write methods of multiple blocks	1 (write as transfer orders)
• DISABLE PRE-FETCH TRANSFER LENGTH	X'FFFF'
• MINIMUM PRE-FETCH	X'0000'
• MAXIMUM PRE-FETCH	X'0000'
• MAXIMUM PRE-FETCH CEILING	X'FFFF'
• NUMBER OF CACHE SEGMENTS	X'08'
• NV_DIS	0 (Default) 1 (Changeable)

**Notes:**

1. When Read-Ahead caching operations are disabled by the caching parameter, these parameter settings have no meaning except write cache feature.
2. Determine the parameters in consideration of how the system accesses the disk. When the access form is not determined uniquely because of the processing method, the parameters can be re-set actively.
3. For sequential access, the effective access rate can be increased by enabling Read-Ahead caching operations and Write Cache feature.

(3) Control mode parameters (page code = A)

The following parameters are used to control the tagged queuing and error logging.

a. Control mode parameters

Parameter	Default value
• QUEUE ALGORITHM MODIFIER	0 (Execution sequence of read/write commands is optimized.)

## (4) Port control parameters (page code=19)





The following parameters are used to control the ready LED signal behavior.(when the external LED is connected)

Parameter	Default value
• READY LED MEANING	0 (External LED is on when HDD is ready)

## 5.5 Dismounting HDDs

Since the method and procedure for dismounting the HDD for replacement of the HDD, etc. depends on the locker structure of the system, etc., the work procedure must be determined in consideration of the requirements specific to the system. This section describes the general procedure and notes on dismounting the HDD.

Circuit in the PCBA is under operation until the spindle motor stops completely (about 30 seconds). When dismounting HDDs, don't let the metal come in contact with PCBA.

<b>▲CAUTION</b>	
 <b>Instructions</b>	<p><b>High temperature</b></p> <p>To prevent injury such as burn, do not touch the HDD while it is hot. The HDA and LSI become hot during operation and remain hot immediately after turning off the power.</p>
 <b>Instructions</b>	<p><b>Damage</b></p> <p>When dismounting the HDD which is mounted on the system while power is supplied;</p> <ol style="list-style-type: none"> <li>1) Stop the spindle motor by a START STOP UNIT command. It takes about 30 seconds for the spindle motor to stop completely.</li> <li>2) Then, dismount the HDD using such as the HDD mounting/dismounting mechanism of the system. When removing the HDD, avoid exposing it to shock or vibration or don't let the metal come in contact with PCBA. Just in case, stop dismounting once and wait until the spindle motor stops (about 30 s) when SAS connector breaks off contact.</li> </ol>
 <b>Instructions</b>	<p><b>Damage</b></p> <p>When dismounting the HDD which is mounted on the system while power is not supplied;</p> <p>Dismount the HDD using such as the HDD mounting/dismounting mechanism of the system. When removing the HDD, avoid exposing it to shock or vibration or don't let the metal come in contact with PCBA.</p>
 <b>Instructions</b>	<p><b>Damage</b></p> <p>When storing or transporting the HDD, put it in the antistatic bag (refer to Section 5.1 and 6.5).</p>

## **CHAPTER 6   Diagnostics and Maintenance**

- |  |
|--|
| <ul style="list-style-type: none"><li><b>6.1   Diagnostics</b></li><li><b>6.2   Maintenance</b></li><li><b>6.3   Operation Check</b></li><li><b>6.4   Troubleshooting</b></li><li><b>6.5   Packaging</b></li></ul> |
|--|

This chapter describes diagnostics and maintenance.

## 6.1 Diagnostics

### 6.1.1 Self-Diagnostics

The HDDs have the following self-diagnostic function. This function checks the basic operations of the HDDs.

- Initial self-diagnostics
- Online self-diagnostics (SEND DIAGNOSTIC command)

Table 6.1 lists the contents of the tests performed with the self-diagnostics. For a general check of the HDDs including the operations of the host system and interface, use a test program that runs on the host system (see Subsection 6.1.2).

**Table 6.1 Self-diagnostic functions**

Test contents	Initial self-diagnostics	SEND DIAGNOSTIC command	
		Self Test=1 Unit Offline=0	Self Test=1 Unit Offline=1
Hardware function test	○	○	○
Seek test			↓ ○
Write/read test (Cylinder for internal test)			↓ ○

**Note:**

○ indicates the tests to be executed and arrows show the sequence of execution.

Brief test contents of self-diagnostics are as follows.

a. Hardware function test

This test checks the basic operation of the controller section, and contains following test.

- RAM (microcode is stored)
- Peripheral circuits of microprocessor (MPU)
- Data buffer

b. Seek test

This test checks the positioning operation of the HDD using several seek modes (2 points seek, 1 position sequential seek, etc.). The positioning operation is regarded as success when the seek operation to the target cylinder is completed.

c. Write/read test

This test checks the write/read function by using the Internal test space of the HDD.

(1) Initial self-diagnostics

When the HDDs are turned on, they run the initial self-diagnostics. The initial self-diagnostics test the basic operations of hardware functions.

If the initial self-diagnostics detects an error, the HDDs in this state post the CHECK CONDITION status to all I/O operation requests except the REQUEST SENSE command. The initiator can collect sense data when the CHECK CONDITION status is posted. If the external LED is connected, it blinks (at 0.4-s intervals).

Sense data contains detailed information on the error detected by the initial self-diagnostics.

When sense data has been collected after the CHECK CONDITION status has been posted, the CHECK CONDITION status continues. This status can be cleared only when the HDDs are turned off and turned on again. When the status is cleared, the HDDs run the initial self-diagnostics again.

The HDDs do not reply to requests from the host system for a maximum of 2s after the start of the initial self-diagnostics. Thereafter, the HDDs can accept I/O operation requests normally, but any received command, except commands that are executable even in the not ready state, is terminated with the CHECK CONDITION status until the spindle motor reaches the normal rotational speed and the HDDs become ready. The commands that are executable even in the not ready state are executed in parallel with the initial self-diagnostics, or they are queued by the command queuing feature and executed when the initial self-diagnostics is completed.

If the initial self-diagnostics detect an error, the CHECK CONDITION status is posted for all of the commands received and queued during the initial self-diagnostics.

(2) Online self-diagnostics (SEND DIAGNOSTIC command)

The initiator can make the HDDs execute self-diagnostics by issuing the SEND DIAGNOSTIC command.

The initiator specifies the execution of self-diagnostics by setting 1 for the SelfTest bit on the CDB in the SEND DIAGNOSTIC command and specifies the test contents with the UnitOffL bit.

When the UnitOffL bit on the CDB is set to 0, the HDDs execute the hardware function test only once. When UnitOffL bit is set to 1, the HDDs execute the hardware function test, seek (positioning) test, and data write/read test for the Internal test space only once.

a. Error recovery during self-diagnostics

During the self-diagnostics specified by the SEND DIAGNOSTIC command, when the recoverable error is detected during the seek or the write/read test, the HDDs perform the error recovery according to the MODE SELECT parameter value (read/write error recovery parameter, additional error recovery parameter) which the initiator specifies at the time of issuing the SEND DIAGNOSTIC command.



b. Reporting result of self-diagnostics and error indication

When all specified self-diagnostics terminate normally, the HDDs post the GOOD status for the SEND DIAGNOSTIC command.

When an error is detected in the self-diagnostics, the HDDs terminate the SEND DIAGNOSTIC command with the CHECK CONDITION status.

When the CHECK CONDITION status is posted, sense data contains detailed information on the error detected by the initial self-diagnostics.

The HDD status after the CHECK CONDITION status is posted differs according to the type of the detected error.

- a) When an error is detected in the seek or write/read test, the subsequent command can be accepted correctly. When the command other than the REQUEST SENSE is issued from the same initiator, the error information (sense data) is cleared.
- b) When an error is detected in the hardware function test, the HDDs post the CHECK CONDITION status for all I/O operation request except the REQUEST SENSE command. The error status is not cleared even if the error information (sense data) is read. Only when the power is turned off or re-turned on, the status can be cleared. When this status is cleared, the HDDs execute the initial self-diagnostics again (see item (1)).

Refer to Subsection 4.4.1 "SEND DIAGNOSTIC (1D)" of the SAS INTERFACE SPECIFICATION for further details of the command specifications.

## 6.1.2 Test Programs

The basic operations of the HDD itself can be checked with the self-diagnostic function. However, to check general operations such as the host system and interface operations in a status similar to the normal operation status, a test program that runs on the host system must be used.

The structure and functions of the test program depend on the user system requirements. Generally, it is recommended to provide a general input/output test program that includes devices connected to the input/output devices on other I/O ports.

Including the following test items in the test program is recommended to test the HDD functions generally.

(1) Interface test

The operations of the data buffer on the HDDs are checked with the WRITE BUFFER and READ BUFFER commands.

(2) Basic operation test


The basic operations of the HDDs are checked by executing self-diagnosis with the SEND DIAGNOSTIC command (see Subsection 6.1.1).

(3) Random/sequential read test

The positioning (seek) operation and read operation are tested in random access and sequential access modes with the READ, or VERIFY command.



## 6.2 Maintenance

See Section 5.1 and 6.5 for notes on packaging and handling when returning the HDD.



<b>⚠ CAUTION</b>	
 <b>Instructions</b>	<p><b>Data loss</b></p> <p>Save data stored on the HDD to other media before requesting repair. TDSC assumes no liability if data is corrupted during servicing or repair.</p>

### 6.2.1 Precautions

Take the following precautions to prevent injury during maintenance and troubleshooting:

<b>⚠ CAUTION</b>	
 <b>Prohibited</b>	<p><b>Electrical shock</b></p> <p>Do not touch the HDDs while power-feeding.</p>
 <b>Instructions</b>	<p><b>High temperature</b></p> <p>To prevent injury such as burn, do not touch the HDD while it is hot. The HDA and LSI become hot during operation and remain hot immediately after turning off the power.</p>

Take the following precautions to prevent HDD damage during maintenance and troubleshooting:

<b>⚠ CAUTION</b>	
 <b>Prohibited</b>	<p><b>Damage</b></p> <ol style="list-style-type: none"> <li>1) Do not use a conductive cleaner to clean the HDDs.</li> <li>2) Do not remove any labels from the HDD or deface the HDDs in any way.</li> <li>3) Do not disassemble, analyze, reverse-engineer, alter, modify, translate or copy HDDs, whether in whole or in part. Failure to do so voids any warranty, expressed or implied.</li> </ol>
 <b>Instructions</b>	<p><b>Damage</b></p> <p>Always ground yourself with such as a wrist strap connected to ground before handling. ESD (Electrostatics Discharge) may cause the damage to the device.</p>

## 6.2.2 Maintenance Requirements

(1) Preventive maintenance

Preventive maintenance is not required.

(2) Service life

See "(2) Service life," in Subsection 2.1.6.

(3) Parts that can be replaced in the field

The PCBA cannot be replaced in the field. The HDA cannot be replaced in the field.

(4) Service system and repairs

TDSC has the service system and repair facility for the HDD. Contact TDSC representative to submit information for replacing or repairing the HDD. Generally, the following information must be included:

- a) Model part number (P/N), revision number, serial number (S/N), and date of manufacturing
- b) Error status
  - Date when the error occurred
  - System configuration
  - Environmental conditions (temperature, humidity, and voltage)
- c) Error history
- d) Error contents
  - Outline of inconvenience
  - Issued commands and specified parameters
  - Sense data
  - Other error analysis information

### **6.2.3 Maintenance Levels**

If an HDD is faulty, replace the whole HDD since repair requires special tools and environment. This section explains the two maintenance levels.

(1) Field maintenance (HDD replacement)

- This replacement is done at the user's site.
- Replacement uses standard tools.
- Replacement is usually done by the user, retail dealer, distributor, or OEM engineer.

(2) Factory maintenance (parts replacement)

- This replacement can only be done by TDSC.
- Replacement includes maintenance training and OEM engineer support. OEM engineers usually support retail dealers and distributors.
- Replacement uses factory tools and test equipment.

### **6.2.4 Tools and Test Equipment**

HDD troubleshooting and repair in the field require only standard hand tools. No special tools or test equipment are required.

This document does not describe the factory-level tools and test equipment.

6.2.5 Tests

This HDD can be tested in the following ways:

- Initial seek operation check (See Subsection 6.3.1)
- Operation test (See Subsection 6.3.2)
- Diagnostic test (See Subsection 6.3.3)

Figure 6.1 shows the flow of these tests.

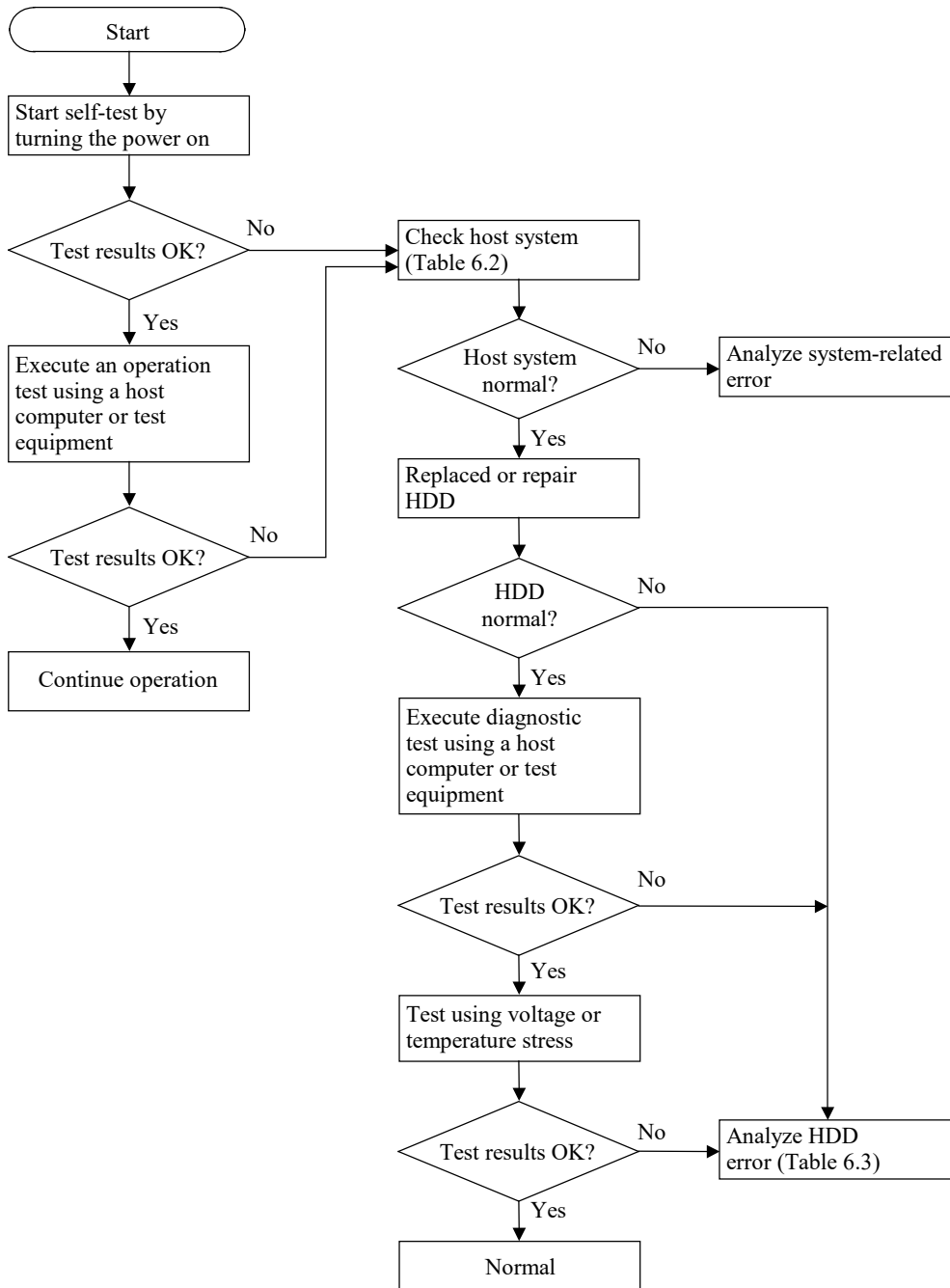


Figure 6.1 Test flowchart

## 6.3 Operation Check

### 6.3.1 Initial Seek Operation Check

If an error is detected during initialization by the initial seek operation check routine at power-on, the spindle motor of the HDD stops, and then the HDD becomes unusable.

For an explanation of the operation check before the initial seek, refer to the Section 5.4.

### 6.3.2 Operation Test

While the host computer is processing data, the HDDs monitor HDD operation including data processing, command processing, and seek operations. If the HDDs detect an error, the HDDs post the error to the initiator. The initiator then posts the error to the user.

The user may detect an intermittent or nonfatal error such as abnormal noise, abnormal odor, or very slow operation.

An error posted in an operation test must be investigated. The user can replace the HDD to see whether the error was caused by the HDD.

Often, errors posted in an operation test may be caused by the host system. Possible causes include insufficient power capacity, loose cable connection, insufficient timing or insufficient mechanical play, and other problems related to the systems.

If an operation error is detected by the error detection circuit of the HDD, an interrupt occurs. The interrupt is posted to the MPU on the PCBA. The MPU stops the currently processed command, and causes the CHECK CONDITION status to post the error to the initiator.

When receiving the CHECK CONDITION status, the initiator collects detailed information via SENSE data.

To analyze the error posted in the operation test, reconstruct the conditions in which the error occurred. Then, start troubleshooting the whole host system by replacing the HDD.

### 6.3.3 Diagnostic Test

The diagnostic test is executed to find a faulty subassembly in a faulty HDD, or to check HDD performance. This test is usually a combination of specific HDD functions or group of functions. This test may be executed using a different host computers or test equipment and away from the environment where the error first occurred.

To analyze the error posted in the diagnostic test, reconstruct the conditions in which the error occurred. Then, look for a possibly faulty subassembly or part of the HDD.

The procedures to be used in this test depend largely on the type of test equipment used, and are not covered by this document.

## 6.4 Troubleshooting

### 6.4.1 Outline of Troubleshooting Procedures

This section explains the troubleshooting procedures for HDD errors.

Depending on the maintenance level, analyze the error to detect a possibly faulty part (HDD, or HDD part).

Full-scale troubleshooting is usually required if the error cause is not known. If the error cause is clear (e.g., abnormal noise in HDA or burning of the PCBA), troubleshooting is straightforward.

### 6.4.2 Troubleshooting with HDD Replacement in the Field

At this level of maintenance, we recommend replacing the HDD as a unit. If replacing the HDD rectifies the fault, return the removed HDD to TDSC, for test and repair. If the newly installed HDD does not rectify the fault another part of the system is faulty.

Table 6.2 summarizes system-level field troubleshooting. Troubleshooting must be done in the field, to find faulty part (HDD or system).

**Table 6.2 System-level field troubleshooting**

Item	Recommended work
DC power level	<p>Check that the DC voltage is within the specified range of Table 2.4.</p> <p>For DC +5 V, measure the voltage between P8-P9 (+5 V) of the interface connector and the nearest PCBA mounting screw (GND) from the interface connector, and confirm the value is from range of Table 2.4.</p> <p>For DC +12 V, measure the voltage between P14-P15 (+12 V) of the interface connector and the nearest PCBA mounting screw (GND) from the interface connector, and confirm the value is from range of Table 2.4.</p>
Electrical noise	<p>Make sure the maximum ripple peak-to-peak values of DC +5 V and DC +12 V are within the specified range of Table 2.4.</p> <p>Make sure the high frequency noise (over 20 MHz) is less than 100 mV (peak-to-peak value).</p>
System cables	Check that all system cables are connected correctly.
System diagnostic test	When possible, execute the system level diagnostic routine as explained in the host computer manual. This gives a detailed report of a possible fault.
Intermittent or nonfatal errors	<p>Check the AC voltage from the power supply. Check the DC voltage level at the power connector for the HDD.</p> <p>If the AC voltage level is abnormal or there is a lot of electrical noise, notify the user of the error.</p> <p>If the DC voltage level is unstable, replace the power supply unit.</p> <p>If possible, replace the HDD. If replacing the HDD does not eliminate the error, the removed HDD is probably not faulty. To continue error analysis, refer to the hardware and software manuals supplied with the system.</p>



**6.4.3 Troubleshooting at the Repair Site**

For maintenance at this level, we recommend additional testing of the HDD and signal checking.

The sense data posted from the HDDs help with troubleshooting. This sense data makes the error type clear (functional, mechanical, or electrical error). CHAPTER 7 error analysis by sense data, and gives supplementary information on finding the error cause (faulty part).

Table 6.3 lists how to detect a faulty HDD subassembly. This fault finding requires a working host computer or HDD test equipment to recreate the error conditions.

If the detected error cannot be recreated in an ordinary test, HDD conditions can be changed to force the error to recur. This is done by changing the DC voltage or the ambient temperature of the HDD.


If the error does not recur with changed conditions, the HDD is not faulty. If no error occurs in the HDD test, notify the user of the test results, and find out from the user the environment conditions where the HDD is used.

**Table 6.3 HDD troubleshooting**

Item	Recommended action
Frequent or repeated seek errors	Collect sense data, and see CHAPTER 7. Replace the HDD, and check that the test method is correct. If the error recurs, it is likely that the HDD is normal but the test method is incorrect.
Intermittent or nonfatal errors	Replace the HDD, and check that the test method is correct. If the error recurs, it is likely that the HDD is normal but the test method is incorrect. To check performance, change the HDD conditions by changing the voltage or temperature.

If the HDD error recurs or a possibly faulty part is found by troubleshooting, return the complete HDD to TDSC for repair. A media defect list must be included with the HDD returned to TDSC.

If the possibly faulty part is the HDA, return the whole HDD to TDSC for repair. Also if a clear error (erroneous servo track information or noisy HDD) is detected in the HDA, return the whole HDD to TDSC. A media defect list must be included with the HDD returned to TDSC.

<b>▲CAUTION</b>	
 <b>Prohibited</b>	<b>Damage</b> 1) Do not use a conductive cleaner to clean the HDDs. 2) Do not remove any labels from the HDD or deface the HDDs in any way. 3) Do not disassemble, analyze, reverse-engineer, alter, modify, translate or copy HDDs, whether in whole or in part. Failure to do so voids any warranty, expressed or implied.

**6.4.4 Troubleshooting with Parts Replacement in the Factory**

This document does not cover troubleshooting at the factory level.

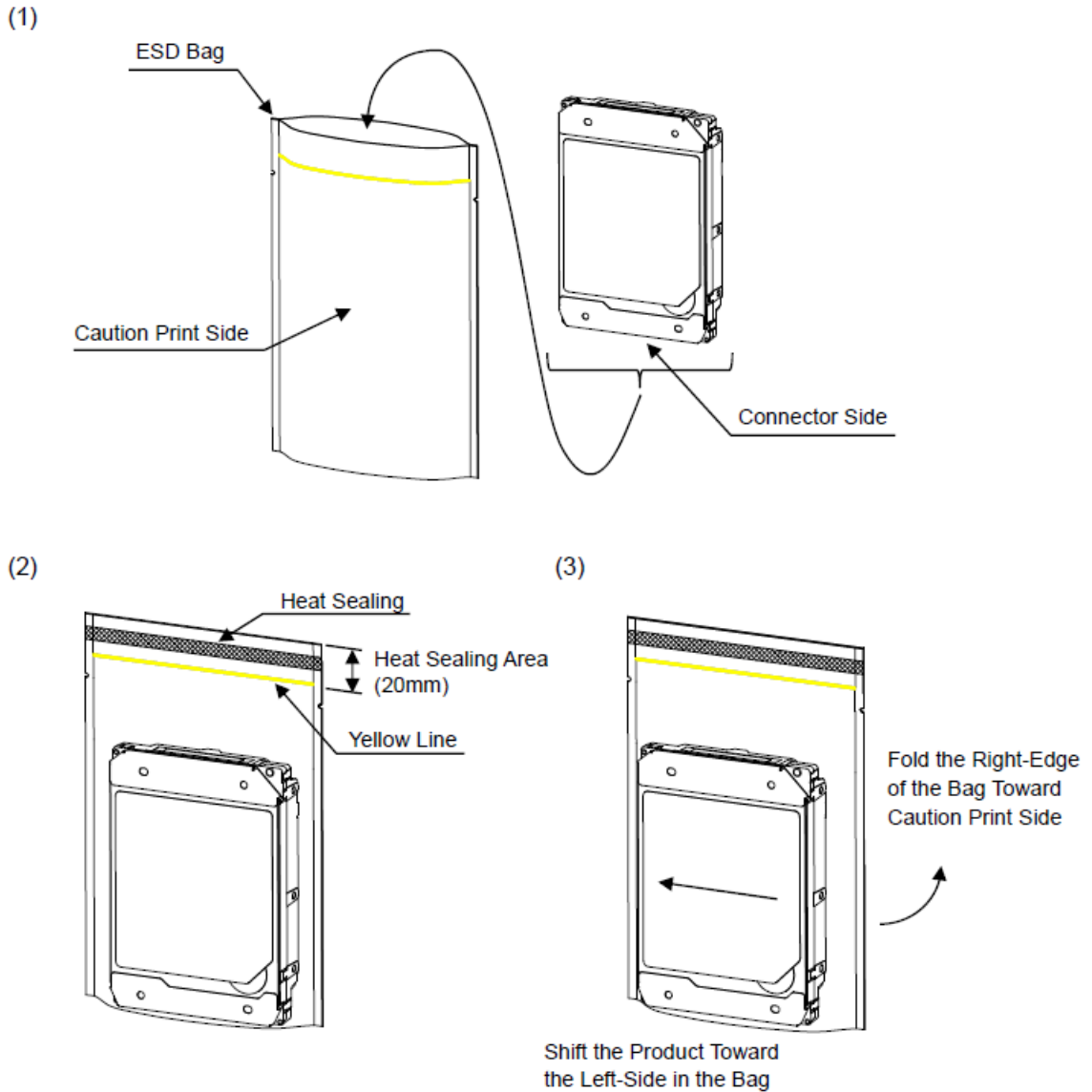
**6.4.5 Finding Possibly Faulty Parts**

Finding possibly faulty parts in the field was explained in Subsection 6.4.2. This document does not cover finding possibly faulty parts at the factory level.

## 6.5 Packaging

When the HDD is returned, the following methods are recommended.

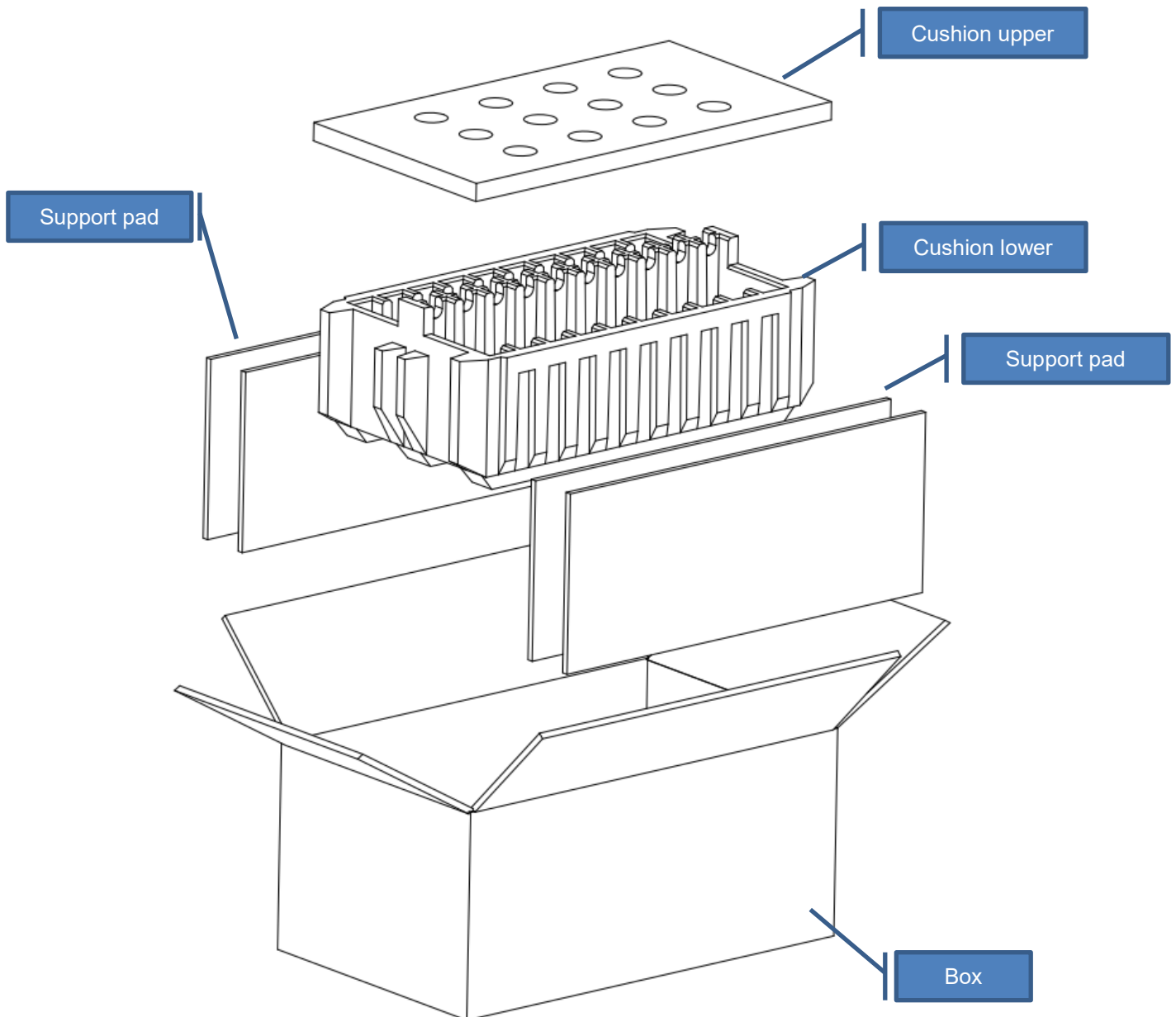
### 6.5.1 Bag Packaging



**Figure 6.2 Bag packaging**

- (1) Put the HDD into ESD Bag.
  - At this time, the connector of the HDD is directed to the bottom side of ESD bag.
  - The caution print side of the bag and the drive label side of the HDD shall be opposite orientation.
  - The product shall be put into the bag from the connector side.
- (2) The opening section shall be heat-sealed at the specified portion.
- (3) After shifting the HDD toward the left-side of bag, the right-edge shall be folded toward Caution print side.

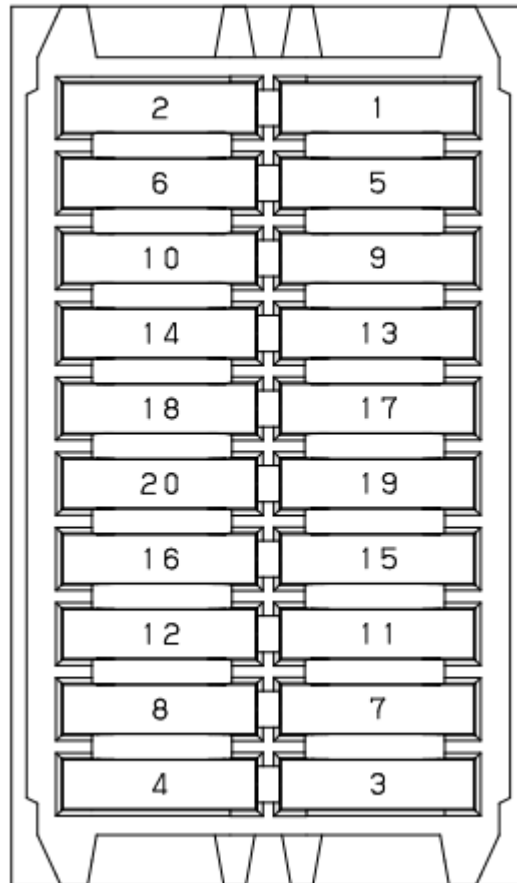
## 6.5.2 Box Packaging



**Figure 6.3 Box packaging**

- (1) The cushion (lower) shall be put into the box then put two piece of the support-pad each at both the long-side of cushion (lower).

- (2) The unitary packed HDD (bag packing) shall be put into the cushion (lower).
- At this time, the seal side shall be upward. The I/F connector may become downward.
  - For less than 20 HDDs, insert the HDDs starting from the slot with the smallest number in Figure 6.4.



**Figure 6.4 Fraction packaging**

- (3) Hold the HDD with the cushion (upper)
- (4) Close the cardboard box with the packaging tape  
(Attach the tape in 'H' figure at the tape.)

## **CHAPTER 7    Error Analysis**

**7.1    Sense Data Collection**

**7.2    Sense Data Analysis**

This chapter explains in detail how sense data collected from an HDD is used for troubleshooting. Sense data reflects an error in the HDD, and helps with troubleshooting.

## 7.1 Sense Data Collection

### 7.1.1 Sense Data

When HDDs post a CHECK CONDITION status, the current command or queued command is cleared. In such a case, the HDDs generate sense data about the command-issuing initiator. The initiator can read the sense data by reading the sense data added to the response frame of the command where an error occurred (Auto Sense function).

A set of sense key, additional sense code and additional sense code qualifier is often used for failure investigation. In this section, it is described troubleshooting based on the set of sense key, additional sense code and additional sense code qualifier. Unless otherwise specified, "sense data" means the above three codes. When sense data is represented as (x-xx-xx), the leftmost x is a sense key, the middle xx is an additional sense code, and the rightmost x is an additional sense code qualifier.

### 7.1.2 Sense Data Format

Sense data is reported by REQUEST SENSE command or Auto Sense function.

In response to REQUEST SENSE command, HDD reports Sense data in the fixed form or the descriptor form according to the configuration of DESC bit of CDB. As for Auto Sense function, HDD reports it in the fixed form or the descriptor form according to the setting of D\_SENSE bit on mode parameter page A (control mode page).

One head byte in Sense data is a response code, and it describes the error type and Sense data format as shown in Table 7.1.

**Table 7.1 Response code**

Response code	Explanation
0x00~0x6F	(Reserved)
0x70	Current error of fixed form (*1), (*2)
0x71	Deferred error of fixed form(*1)
0x72	Current error of descriptor form
0x73	Deferred error of descriptor form
0x74~0x7E	(Reserved)
0x7F	Vender specific(Reserved)

(\*1) In case of the fixed form, Valid bit is allocated in the most upper bit in the first byte of Sense data, and the first byte of Sense data might become 0xF0 or 0xF1.

(\*2) In the following cases, the response code is defined as 0x70 regardless of DESC bit or D\_SENSE bit.

- When Additional Sense Code (ASC) is 0x29
- When ASC and Additional Sense Code Qualifier (ASCQ) are Mode Parameter Changed (0x2A01)

### 7.1.3 Fixed Form Sense Data

HDD provides 48 bytes Sense data in the fixed form. The fixed form sense data format is shown in Table 7.2.

## IMPORTANT

- (1) In the specifications, each device is permitted to define whatever it chooses after byte 18 of the expanded sense data, and the length and format differ for each device. The length of expanded sense data is displayed in the sense data, so by analyzing the sense data which it receives, the INIT can know its effective length.
- (2) In the REQUEST SENSE command, even if a Transfer byte length that is shorter than the length of the sense data supported by the device which is the object of the command, the command will terminate normally, but in that case, some of the sense data only will be received and the remaining information will be lost. Sufficient caution should be exercised with regard to the devices connected to the INIT and all the sense data of those devices should be read.



**Table 7.2 Fixed form sense data format**

Bit Byte	7	6	5	4	3	2	1	0
0	Valid	X '70' or X '71' (error code)						
1	X '00'							
2	0	0	ILI	0	Sense key			
3	[MSB]							
4	Information							
5								
6								
7	X '28' (additional sense data length)							
8	[MSB]							
9	Command-specific information							
10								
11								
12	Additional sense code							
13	Additional sense code qualifier							
14	X '00'							
15	SKSV							
16	Sense key-specific information							
17								
18	0	0	0	Port	0	0	0	0
19	CDB operation code							
20	Detail information							
47								

Basic information: Bytes 0-17

Additional information: Bytes 18-47

[LSB] labels are present on the right side of the table, corresponding to the least significant bytes of the data fields.

ILI: Incorrect Length Indicator  
 MSB: Most Significant Byte  
 LSB: Least Significant Byte  
 SKSV: Sense Key Specific Valid

**7.1.4 Descriptor Form Sense Data**

**7.1.4.1 Descriptor Form Sense Data Format**

Table 7.3 shows the descriptor form sense data format.

One head byte of the sense data becomes 0x72 (current error) or 0x73 (Deferred error).

**Table 7.3 Descriptor form sense data format**

Bit Byte	7	6	5	4	3	2	1	0
0	0	Response code (0x72/0x73)						
1	Reserved				Sense key			
2	Additional sense code (ASC)							
3	Additional sense code qualifier (ASCQ)							
4	Reserved							
5	Reserved							
6	Reserved							
7	Sense code length (n-7)							
8	Sense data descriptor 0							
	Sense data descriptor x							
n								

The sense code length shows the total number of bytes including sense key, Additional sense code (ASC), and Additional sense code qualifier (ASCQ) are similar to the one of a fixed form.

Table 7.4 shows the sense data descriptor type.

**Table 7.4 Sense data descriptor type Table**

type	Explanation	Reference	Data length
0x00	Information sense data	Error LBA, Byte number difference	12
0x01	Command specific information sense data	Reassign failure LBA	12
0x02	Sense key specific sense data	Retry count, Progress rate and others	8
0x03	FRU sense data	SMART information	4
0x04	Stream command sense data	(unused)	4
0x05	Block command sense data	ILI bit for READ/WRITE LONG command	4
0x06-0x09	(unsupported)	-	-
0x0A	Progress indication sense data	Stage of completion	8
0x0B-0x7F	Reserved	-	-
0x80	Vendor specific sense data	Byte 18~47 of fixed form sense data	32
0x81-0xFF	Reserved	-	-

The sense data descriptor length shows the total bytes long of the sense data descriptor.

**7.1.4.2 Information Sense Data Descriptor**

Information sense data is a similar with the sense data of a fixed form (Byte 3-6), and it reports on error LBA and byte number difference.

"Valid" One is always reported to bit. When data is four bytes longs, the first four bytes report on oar 0x00.

**Table 7.5 Information sense data descriptor format**

Byte \ Bit	7	6	5	4	3	2	1	0
0	Sense data descriptor type (0x00)							
1	Sense data descriptor length (0x0A)							
2	Valid	0	0	0	0	0	0	0
3	0	0	0	0	0	0	0	0
4	Information							
· ·								
11								

### 7.1.4.3 Command Specific Information Sense Data Descriptor

The command specific information sense data is similar to the sense data of a fixed form information (byte 0x08-0x11), and first LBA etc. that became the unalternation processing in the defect descriptor are reported.

When data is four bytes long, the first four bytes report on oar 0x00.

**Table 7.6 Command specific information sense data descriptor format**

Byte \ Bit	7	6	5	4	3	2	1	0
0	Sense data descriptor type (0x01)							
1	Sense data descriptor length (0x0A)							
2	0	0	0	0	0	0	0	0
3	0	0	0	0	0	0	0	0
4	Command specific information							
..								
11								

**7.1.4.4 Sense Key Specific Data Descriptor**

Sense key specific data reports on the field pointer, retry count, and the progress rate, etc. by the value of the sense key as shown in the following. When sense key specific data is transmitted, data similar to Byte15-17 of the sense data of a fixed form is reported.

**Table 7.7 Sense key specific data descriptor format**

Bit Byte	7	6	5	4	3	2	1	0
0	Sense data descriptor type (0x02)							
1	Sense data descriptor length (0x06)							
2	0	0	0	0	0	0	0	0
3	0	0	0	0	0	0	0	0
4	SKSV	Sense key specific data						
5								
6								
7	0	0	0	0	0	0	0	0

"SKSV"Bit always reports on 1

**Table 7.8 Sense key specific information**

Sense key	Explanation
Illegal Request	Field pointer
Recovered Error Hardware Error Medium Error	Retrying count
Not Ready No Sense	Progress rate display
Copy Aborted	Segment pointer (unused)
Unit Attention	Overflow of Unit Attention state cue (unused)
Others	Sense key specific information doesn't exist.

**7.1.4.5 Field Pointer Sense Key Specific Data Descriptor**

Field pointer reports in the Byte of CDB or the parameter how many there is an error. When two or more errors exist, it reports on the position of the error of the head of CDB (Or, parameter). They are treated at all for the parameter across multiple Bytes.

**Table 7.9 Field pointer sense key specific data descriptor format**

Bit Byte	7	6	5	4	3	2	1	0
0	SKSV	C/D	0	0	BPV	Bit pointer		
1	Field pointer							
2								

**7.1.4.6 Actual Retry Count Sense Key Specific Data Descriptor**

Retrying count reports on retrying count actually given.

**Table 7.10 Actual retry count sense key specific data descriptor format**

Bit Byte	7	6	5	4	3	2	1	0
0	SKSV	0	0	0	0	0	0	0
1	Actual Retry count							
2								

**7.1.4.7 Progress Indicator Sense Key Specific Data Descriptor**

The progress rate display reports on the progress rate of FORMAT UNIT/Self Test.

**Table 7.11 Progress indicator sense key specific data descriptor format**

Bit Byte	7	6	5	4	3	2	1	0
0	SKSV	0	0	0	0	0	0	0
1	Progress indicator							
2								

**7.1.4.8 Block Command SENSE Data Descriptor**

When the transfer length abnormal of the READ LONG/WRITE LONG command is executed. It is shown that the value reported by the information sense data is byte number difference when this bit is one.

**Table 7.12 Block command sense data descriptor format**

Bit Byte	7	6	5	4	3	2	1	0
0	Sense data descriptor type (0x05)							
1	Sense data descriptor length (0x02)							
2	0	0	0	0	0	0	0	0
3	0	0	ILI	0	0	0	0	0

### 7.1.4.9 Progress Indicator Sense Data Descriptor

Progress level display reports on the stage of completion of FORMAT UNIT/Self Test.

**Table 7.13 Progress indicator sense data descriptor format**

Byte \ Bit	7	6	5	4	3	2	1	0
0	Sense data descriptor type (0x0A)							
1	Sense data descriptor length (0x06)							
2	Sense key							
3	Additional sense code(ACS)							
4	Additional sense code qualifier (ACSQ)							
5	0	0	0	0	0	0	0	0
6	Progress indicator							
7								

### 7.1.4.10 Vendor Specific Sense Data Descriptor

**Table 7.14 Vendor specific sense data descriptor format**

Byte \ Bit	7	6	5	4	3	2	1	0
0	Sense data descriptor type (0x80)							
1	Sense data descriptor length (n-1)							
2	Vendor specific information							
n								

## 7.2 Sense Data Analysis

### 7.2.1 Error Information Indicated with Sense Data

Table 7.15 lists the definition of sense data. For details of the following sense data, refer to Chapter 6 "Sense Data Error Recovery Methods" of the SAS INTERFACE SPECIFICATION.

Subsection 7.2.2 onwards explain troubleshooting using sense data.

**Table 7.15 Definition of sense data**

Sense data			Definition
Sense key	Additional sense code	Additional sense code qualifier	
3	0C	03	A write to a disk terminated abnormally.
4	32	00	No usable alternate block area exists. Or alternate block processing cannot be performed due to control table overflow.
	40	xx	An error occurred in power-on self-diagnosis.
	C4	xx	An HDD error occurred.
1	1x	xx	A disk read error occurred, but terminated normally with error recovery functions.
3	1x	xx	A disk read error occurred.
E	1D	00	Data discrepancy found by VERIFY command byte check.
5	2x	xx	An illegal request error, such as an invalid operation code, occurred.
4	44	xx	A hardware error occurred inside HDDs.
B	4B	xx	An interface error was issued.
	4E	00	An overlap command was issued.



### 7.2.2 Sense Data (3-0C-03), (4-32-00), (4-40-xx), (4-C4-xx), and (4-44-xx)

Sense data (3-0C-03), (4-32-00), (4-40-xx), (4-C4-xx), and (4-44-xx) indicate one of the following:

- A target sector could not be detected using the sector counter.
- A seek process overran the specified time.
- A write to a disk terminated abnormally.
- An error occurred in power-on self-diagnosis.
- An HDD error occurred.

The symptoms above are generally caused by an error in a PCBA or HDA.

### 7.2.3 Sense Data (1-1x-xx), (3-1x-xx) and (E-1D-00): Disk Read Error

If sense data (1-1x-xx), (3-1x-xx) or (E-1D-00) occurs frequently in a specific block of a disk, there is disk damage that was not recorded in the media defect list. In this case, assign an alternate block to the error-detected block using a REASSIGN BLOCKS command. For an explanation of the REASSIGN BLOCKS command, refer to Subsection 4.3.2 "REASSIGN BLOCKS (07)" of the SAS INTERFACE SPECIFICATION.

If this error occurs in different blocks, a PCBA or HDA may be faulty.

### 7.2.4 Sense Data (5-2x-xx), (B-4B-xx) and (B-4E-00): Interface Error

Sense data (5-2x-xx), (B-4B-xx) and (B-4E-00) indicate one of the following symptoms:

- An invalid or unsupported command was issued, or invalid or unsupported parameters were specified.
- An interface error occurred.
- A hardware error occurred inside HDDs.

If this error occurs, the PCBA or the interface may be faulty.

## Restrictions on Product Use

Toshiba Corporation and its subsidiaries and affiliates are collectively referred to as "TOSHIBA". Hardware, software and systems described in this document are collectively referred to as "Product".

- TOSHIBA reserves the right to make changes to the information in this document and related Product without notice.
- This document and any information herein may not be reproduced without prior written permission from TOSHIBA. Even with TOSHIBA's written permission, reproduction is permissible only if reproduction is without alteration/omission.
- Though TOSHIBA works continually to improve Product's quality and reliability, Product can malfunction or fail. Customers are responsible for complying with safety standards and for providing adequate designs and safeguards for their hardware, software and systems which minimize risk and avoid situations in which a malfunction or failure of Product could cause loss of human life, bodily injury or damage to property, including data loss or corruption. Before customers use the Product, create designs including the Product, or incorporate the Product into their own applications, customers must also refer to and comply with (a) the latest versions of all relevant TOSHIBA information, including without limitation, this document, the specifications, the data sheets and application notes for Product and the precautions and conditions set forth in the "TOSHIBA Semiconductor Reliability Handbook" and (b) the instructions for the application with which the Product will be used with or for. Customers are solely responsible for all aspects of their own product design or applications, including but not limited to (a) determining the appropriateness of the use of this Product in such design or applications; (b) evaluating and determining the applicability of any information contained in this document, or in charts, diagrams, programs, algorithms, sample application circuits, or any other referenced documents; and (c) validating all operating parameters for such designs and applications. **TOSHIBA ASSUMES NO LIABILITY FOR CUSTOMERS' PRODUCT DESIGN OR APPLICATIONS.**
- **PRODUCT IS NEITHER INTENDED NOR WARRANTED FOR USE IN EQUIPMENTS OR SYSTEMS THAT REQUIRE EXTRAORDINARILY HIGH LEVELS OF QUALITY AND/OR RELIABILITY, AND/OR A MALFUNCTION OR FAILURE OF WHICH MAY CAUSE LOSS OF HUMAN LIFE, BODILY INJURY, SERIOUS PROPERTY DAMAGE AND/OR SERIOUS PUBLIC IMPACT ("UNINTENDED USE").** Except for specific applications as expressly stated in this document, Unintended Use includes, without limitation, equipment used in nuclear facilities, equipment used in the aerospace industry, lifesaving and/or life supporting medical equipment, equipment used for automobiles, trains, ships and other transportation, traffic signaling equipment, equipment used to control combustions or explosions, safety devices, elevators and escalators, and devices related to power plant. **IF YOU USE PRODUCT FOR UNINTENDED USE, TOSHIBA ASSUMES NO LIABILITY FOR PRODUCT.** For details, please contact your TOSHIBA sales representative or contact us via our website.
- Do not disassemble, analyze, reverse-engineer, alter, modify, translate or copy Product, whether in whole or in part.
- Product shall not be used for or incorporated into any products or systems whose manufacture, use, or sale is prohibited under any applicable laws or regulations.
- The information contained herein is presented only as guidance for Product use. No responsibility is assumed by TOSHIBA for any infringement of patents or any other intellectual property rights of third parties that may result from the use of Product. No license to any intellectual property right is granted by this document, whether express or implied, by estoppel or otherwise.
- **ABSENT A WRITTEN SIGNED AGREEMENT, EXCEPT AS PROVIDED IN THE RELEVANT TERMS AND CONDITIONS OF SALE FOR PRODUCT, AND TO THE MAXIMUM EXTENT ALLOWABLE BY LAW, TOSHIBA (1) ASSUMES NO LIABILITY WHATSOEVER, INCLUDING WITHOUT LIMITATION, INDIRECT, CONSEQUENTIAL, SPECIAL, OR INCIDENTAL DAMAGES OR LOSS, INCLUDING WITHOUT LIMITATION, LOSS OF PROFITS, LOSS OF OPPORTUNITIES, BUSINESS INTERRUPTION AND LOSS OF DATA, AND (2) DISCLAIMS ANY AND ALL EXPRESS OR IMPLIED WARRANTIES AND CONDITIONS RELATED TO SALE, USE OF PRODUCT, OR INFORMATION, INCLUDING WARRANTIES OR CONDITIONS OF MERCHANTABILITY, FITNESS FOR A PARTICULAR PURPOSE, ACCURACY OF INFORMATION, OR NONINFRINGEMENT.**
- Do not use or otherwise make available Product or related software or technology for any military purposes, including without limitation, for the design, development, use, stockpiling or manufacturing of nuclear, chemical, or biological weapons or missile technology products (mass destruction weapons). Product and related software and technology may be controlled under the applicable export laws and regulations including, without limitation, the Japanese Foreign Exchange and Foreign Trade Law and the U.S. Export Administration Regulations. Export and re-export of Product or related software or technology are strictly prohibited except in compliance with all applicable export laws and regulations.
- Product may include products subject to foreign exchange and foreign trade control laws.
- Please contact your TOSHIBA sales representative for details as to environmental matters such as the RoHS compatibility of Product. Please use Product in compliance with all applicable laws and regulations that regulate the inclusion or use of controlled substances, including without limitation, the EU RoHS Directive. **TOSHIBA ASSUMES NO LIABILITY FOR DAMAGES OR LOSSES OCCURRING AS A RESULT OF NONCOMPLIANCE WITH APPLICABLE LAWS AND REGULATIONS.**