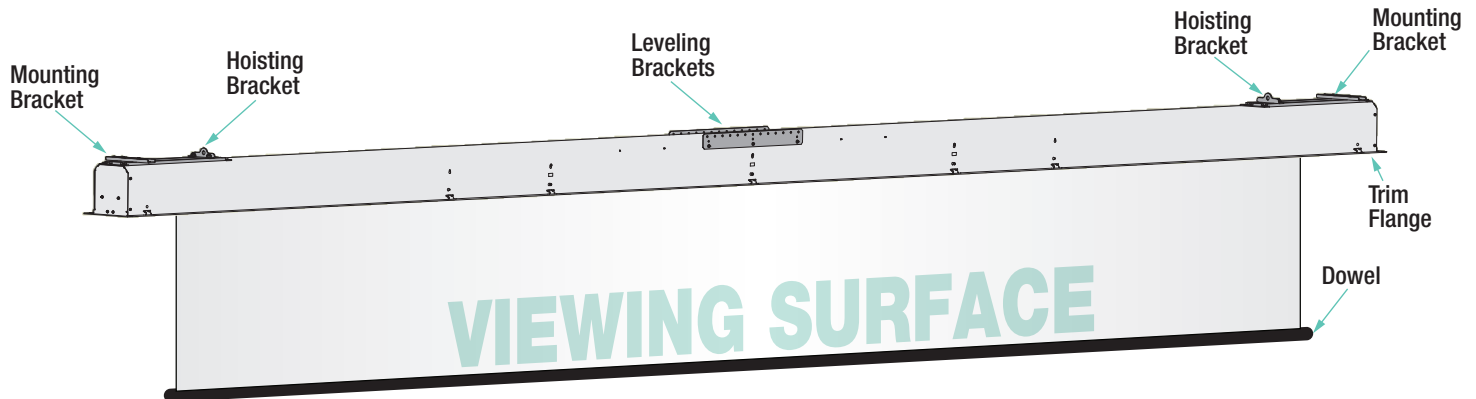


Access M

Manually-operated ceiling-recessed projection screen

INSTRUCTIONS INSTALLATION & OPERATION

Overview - Components



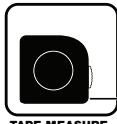
TOOLS REQUIRED



PENCIL



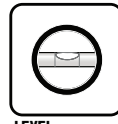
POWER DRILL



TAPE MEASURE

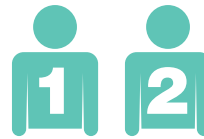


HARDWARE (by others)



LEVEL

PERSONNEL REQUIRED



⚠ CAUTION ⚠

Read and understand all warnings (below) before beginning installation.

PLEASE READ - Safety Information

Important Safety Information



WARNING

Important Safety Information

Improper installation and use of the Access M screen can result in serious injury or death. Primarily, injuries can occur if the unit falls due to imprecise installation, mishandling of the unit during installation, or installation on an insufficient wall or ceiling structure. Please use extreme care.

1. Please read the following installation guidelines thoroughly and follow them carefully. Failure to do so may cause product to fall or otherwise fail, and could result in serious injury.
2. Installation and calibration of the unit should only be performed by an authorized, qualified, and experienced professional.
3. Do not affix the unit to walls or ceilings that have inadequate strength to permanently hold the unit during use. It is the owner's and installer's responsibility to confirm the wall or ceiling to which the unit attaches is sufficient to permanently hold the weight and stress loads of the unit at all times. Draper®, Inc., is not responsible for improper installation, application, testing, or workmanship related to the product at place of installation.
4. It is the installer's responsibility to make sure appropriate fasteners are used for mounting.
5. All hardware must be installed level. Unit must be level and square.
6. Never leave the area while operating the unit during installation, maintenance, or normal operation, unless it is secure and safe.
7. Before testing or operation, carefully inspect the entire area and path (especially underneath) of unit to be sure no persons or objects are in the area.
8. During testing or operation, carefully watch the surrounding area for any potential safety concerns including nearby persons or objects.
9. After installation, the entire system, including all sensors, should be carefully tested to ensure safe and normal operation. Extreme care should be taken during testing to remain clear of moving parts to avoid possible injury.
10. Operation of unit should be performed only by authorized and qualified personnel, who have been trained in its safe and effective operation and understand its safety features.
11. The safety features of the unit should never be disabled, bypassed, or overridden. The system should not be operated until all safety features are properly and completely installed, calibrated, and tested.
12. Unit may need to comply with local, state, or district rules and regulations, in particular when installed in schools. All applicable rules and regulations should be reviewed before installation and use.
13. **Failure to precisely follow installation guidelines invalidates all warranties.**
14. Custom products/installations may not be reflected in this manual. Call Draper, Inc., if you have questions about the installation of custom products or any questions about your installation.

Before Beginning Installation

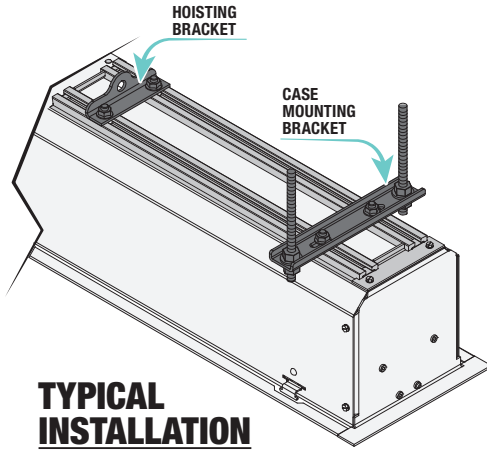
1. Look for any job site conditions that could interfere with installation or operation of the system.
2. Read carefully and be sure to understand all installation instructions and all related operations manuals. These instructions are intended to serve as a guide for the installer and owner. They should be followed closely and combined with the expertise of experienced qualified installers. Draper, Inc., is not responsible for improper installation, application, testing, or workmanship related to the product at place of installation. Please retain all instructions for future use.
3. Open cartons lengthwise.
4. Locate and lay out all pieces.
5. Inspect all boxes to make sure you have received the proper unit and parts. Controls may be shipped separately, or in same carton as unit.
6. If you have any difficulties with installing, servicing, or operating your unit, call your dealer or Draper, Inc., 765-987-7999.

If you have any difficulties installing or servicing your Access screen, call your dealer or Draper, Inc.

Section 1 - Hanging Screen

Please Note: The following steps only apply when changing or installing the roller. Product ships with Roller and fabric already in place.

Please Note: When locating viewing surface and checking clearance for screen operation, ensure that surface is centered in the case.



TYPICAL INSTALLATION

With typical installation, brackets may be angled to meet installation requirements.

1. Engage each case mounting bracket (attached to case) with top of housing and tighten set screws.
2. Screen should be sufficiently supported to withstand vibration.

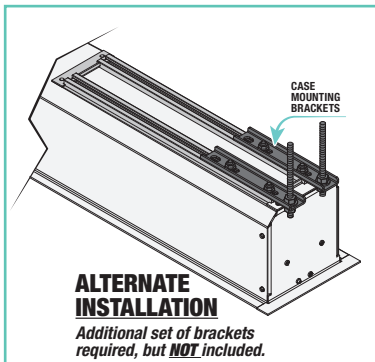
Please Note: A hoisting bracket is included on each end of the case to aid in overhead installation.

3. Ensure that fasteners are of adequate strength and suitable for the mounting surface chosen. Supporting hardware such as chains, cables, two 3/8" (9.5 mm) rods, etc., must be precisely vertical.
4. Entire bottom of case must be readily accessible after installation is complete.
5. Front, back, and top of case must be straight—not forced to warp or bow.

CAUTION: Screen case and flange are not designed to serve as ceiling support.

6. Do not seal unit in ceiling until screen operates successfully.

Please Note: If case is painted on location, removal of roller/fabric assembly is recommended prior to painting. If not removed, slot on bottom of case should be shielded to protect viewing surface from paint splatters/overspray.



Section 2 - Bottom Access Panel Installation/Removal

Bottom access panel secures to the screen housing with two screws (one on each end), and is held in the closed position by engagement brackets with ball detents that snap into case support brackets.

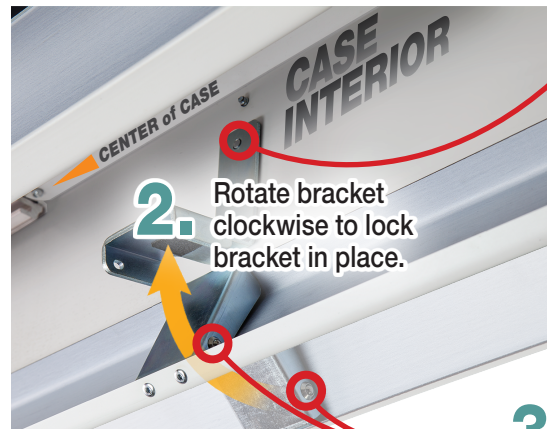


1. Remove screws from both ends of Housing.



2. Access panel will hinge down.

Access Panel Support Bracket



1. Attaching Brackets: Insert pin in top slot and push up.

Please Note: There are 2 pins and the slots are 90°, which requires the bracket to be inserted, then rotated slightly

2. Rotate bracket clockwise to lock bracket in place.

3. Bracket With Ball Detent: Engages with Access Panel Support Bracket.

Section 3 - Spring Roller/Fabric Installation

1. Remove bottom access panel.
2. Back out the set screws in bracket until flush with top side of the bracket.
3. The spear end mounting bracket has rectangular openings (C, at right) for accepting roller spear. To engage operator end bracket flange (above the two channels in the top of the screen housing), rotate bracket approximately 45° **counterclockwise** to allow top surface of operator bracket to rest flat against top inside housing.

Please Note: Install the roller level using the corresponding "C" spring operator slot.

4. Rotating the bracket **clockwise** until it engages in the channel, slide it along the length of the housing toward the left end, leaving approximately 3/4" (19mm) clearance between bracket and endcap.
5. Tighten the set screws on the bracket flange using 1/8" (3mm) hex key.
6. Engage the idler end bracket (nylon bushing) in the same manner as the spear end bracket and slide toward opposite end of screen housing. Do not tighten the set screws on this bracket until the roller/fabric assembly is installed.

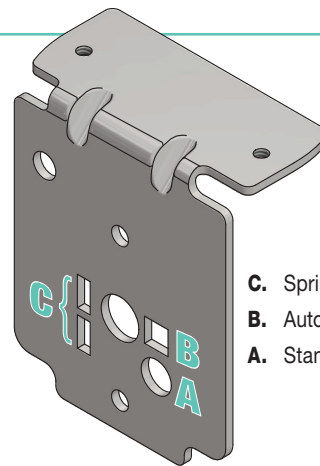
⚠ Caution: Step 7 requires two people to perform safely.

7. Locate the roller/fabric assembly and remove the retaining clip and flat washer from the idler end pin, and remove retaining clip from the spear. Remove brackets from roller. Lift roller/fabric assembly into screen housing and engage the spear of the roller completely into the spear mounting bracket.

For Auto Return ONLY:

- 1 3/4" (44mm) diameter roller: Arrow imprinted on the spring end of the roller must point **UP**. Use the slot closest to the edge of the bracket.
- 2 1/4" (57mm) or 3" (76mm) diameter roller: Notch cut out on the spring end of the roller must point **DOWN**. Use the appropriate slot.

8. Support idler end of roller and slide mounting bracket toward roller. Insert roller



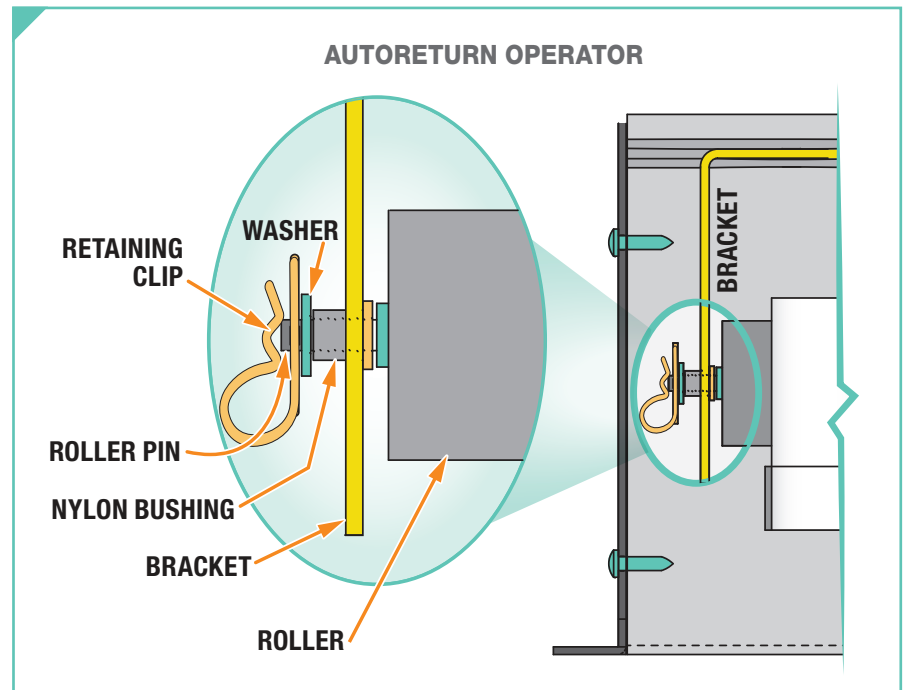
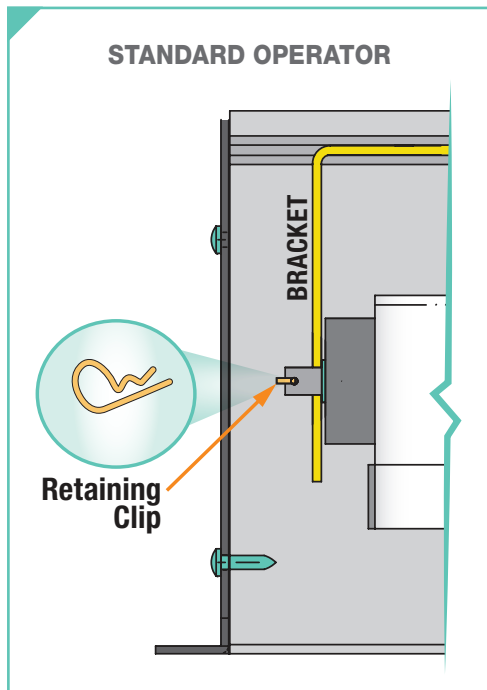
- C.** Spring Roller operator
- B.** Automatic Return operator
- A.** Standard operator

pin into nylon bushing on idler bracket.

9. Roller idler pin goes through idler bracket. Reinstall washer.
10. Install the retaining clip on the spear, locking spear and bracket together.

⚠ Caution: Failure to replace washer and retaining clip could result in separation of roller from brackets.

11. Center roller/fabric assembly by sliding mounting brackets left or right.
12. Securely tighten set screws on the idler end mounting bracket
13. Attach door support brackets.
14. Reinstall bottom access panel as previously described.



Operating Instructions—Standard

To lower screen: Grasp center of slat, or pull ring, and pull down. Hesitate, then allow screen to retract very slowly until it locks in place.

To raise screen: Grasp center of slat, or pull cord, pull screen down and, while holding, allow for retraction into desired position to reduce risk of injury from falling screen.

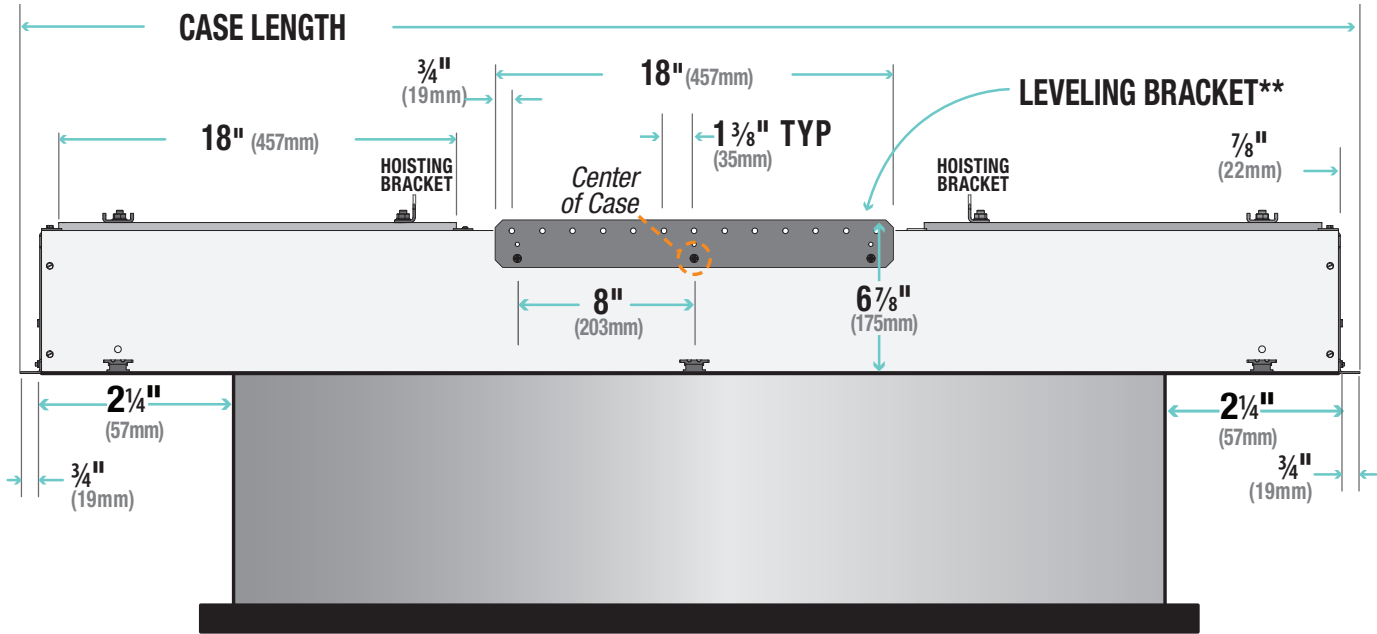
⚠ Caution: Do not allow screen roller to become exposed by pulling picture surface too far down.

Operating Instructions—AutoReturn

To lower screen: Pull screen down. Hesitate—then allow screen to retract very slowly until it locks in place.

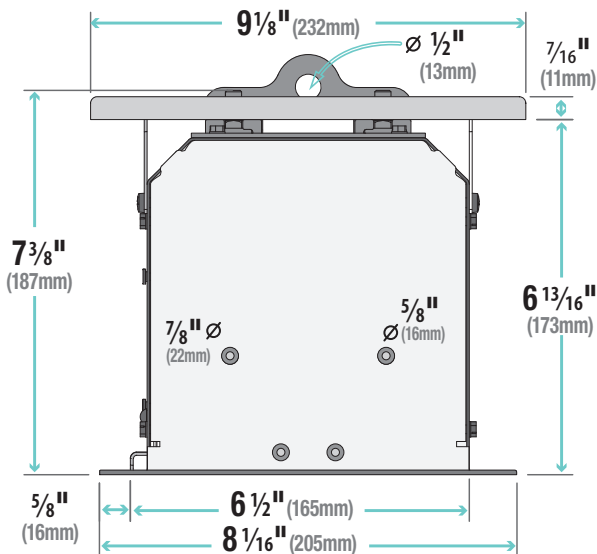
To raise screen: Pull screen down gently, then release.

Section 5 - Case Length Dimensions



- For minimum length of ceiling cutout: subtract 1 1/4" (32mm) from case length (measured from outer edge of flanges).
- For minimum width of cutout (front to back): see case width dimensions below.
- **Leveling bracket is used to level the case and should NOT be used to support the weight of the unit.
- The leveling bracket is screwed to the side of the case. Hardware used for leveling provided by others.
- There are several knock-outs in the screen housing to allow the Leveling Bracket to be adjusted laterally up to 16" (40.6cm) in either direction.

Section 6 - Case Width Dimensions



Section 7 - Mounting Bracket Dimensions

