

# MORPHEUS

Modular High Airflow ATX+ Case

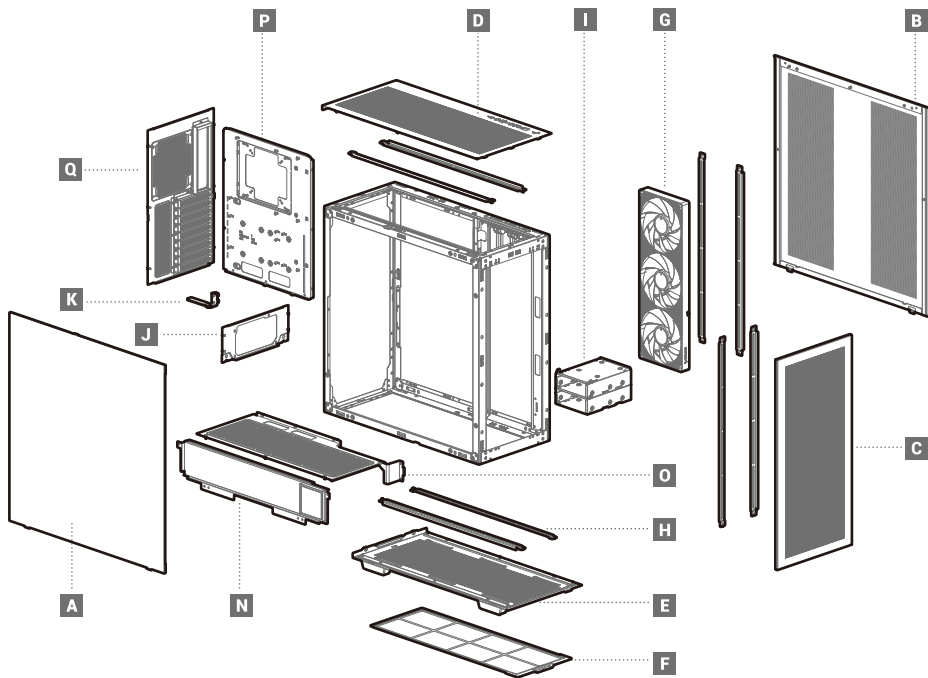


DEEPCOOL 



<b>Case Features</b>	1
<b>Accessory Kit Contents</b>	5
<b>Specifications</b>	6
REAR	7
FRONT	8
TOP	9
BOTTOM	10
SIDE	11
PSU Shroud	12
<b>Installation Steps</b>	
Removing the Mesh Side Panel	13
Removing the Top Panel	15
Removing the Tempered Glass Side Panel	18
Removing the Bottom Panel	21
Removing the Front Panel	23
Installing the Motherboard	24
Installing the GPU	25
Installing HDDs	26
Installing SSDs	28
Installing the Power Supply	30
<b>Installing Fan Brackets</b>	32
SIDE	33
TOP	35
BOTTOM	37
FRONT	39
<b>PSU in Front Mode</b>	41
Removing the PSU Shroud	42
Removing the PSU Rubber Stand and HDD Cage	49
<b>Dual Chamber Mode</b>	62
Installation for Dual Chamber Mode	63
Vertical installation of Graphics Card	68
Installing HDDs	72
Installing the Power Supply	74
<b>I/O Panel Introduction</b>	76
<b>Installing the Front I/O Connectors</b>	77
<b>Manual RGB Wiring</b>	78
<b>Motherboard RGB Synchronization</b>	79
<b>Fan Power Line Wiring</b>	80
<b>Rubber Square Bits Usage Method</b>	81

## Case Features



### Case Specifications

Length: 528mm  
Width: 250mm  
Height: 551mm

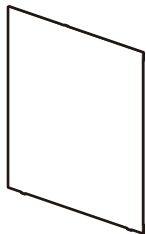
Maximum GPU length: 480mm  
Maximum PSU length: 180mm  
Maximum CPU cooler height: 195mm/132mm

### Radiator compatibility:

Front: 120/140/240/280/360/420mm  
Top: 120/140/240/280/360/420mm  
Side: 120/140/240/280/360/420mm  
Bottom: 120/140/240/280/360/420mm  
Rear: 1×120 / 1×140mm

### Fan locations:

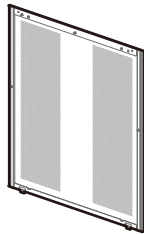
Front: 3×120 / 3×140 / 2×180 / 2×200mm  
Top: 3×120 / 3×140 / 2×180 / 2×200mm  
Side: 3×120 / 3×140mm  
Bottom: 3×120 / 3×140 / 2×180 / 2×200mm  
PSU Shrouded: 3×120 / 3×140mm  
Rear: 1×120 / 1×140mm



Tempered Glass Side Panel

**A**

**×1**



Right Side Panel

**B**

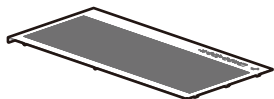
**×1**



Front Panel

**C**

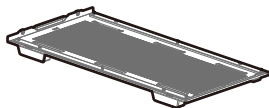
**×1**



Top Panel

**D**

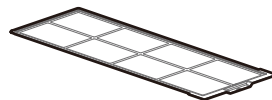
**×1**



Bottom Panel

**E**

**×1**



Bottom Dust Filter

**F**

**×1**



Trinity (3×140) ARGB FAN

**G**

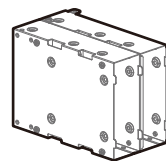
**×1**



FAN Bracket

**H**

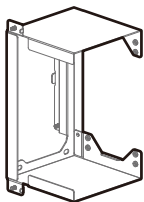
**×8**



HDD cage

**I**

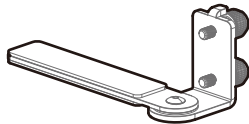
**×1**



PSU cage

J

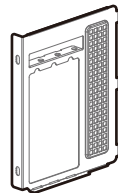
×1



GPU Bracket

K

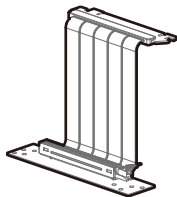
×1



GPU vertical installation kit

L

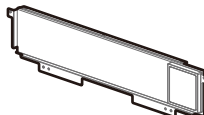
×1



PCIe 4.0 Riser Cable

M

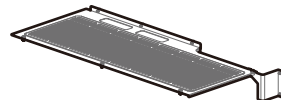
×1



PSU Shroud With Status Display

N

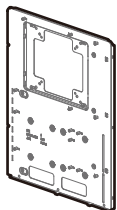
×1



PSU Top Shroud

O

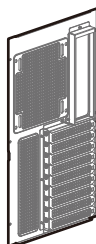
×1



Motherboard Chassis

P

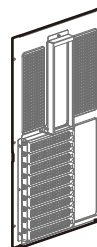
×1



Single Chamber Rear Panel

Q

×1



Dual Chamber Rear Panel

R

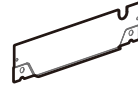
×1

**S**

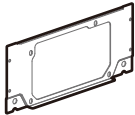
Dual Chamber Mounting Kit

**×1****T**

Dual Chamber Rear Panel Kit (a)

**×1****U**

Dual Chamber Rear Panel Kit (b)

**×1****V**

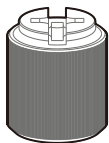
Single Chamber Rear Panel Kit

**×1****W**

Rubber Square Bits

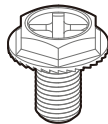
**×1Bag**

# Accessory Kit Contents



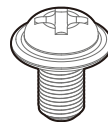
Sleeve screw

**x1**



PSU screws

**x6**



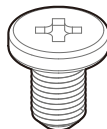
Motherboard screws

**x18**



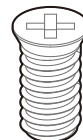
SSD screws

**x8**



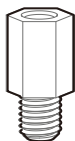
HDD screws

**x9**



Fan screws

**x12**



Stand off

**x4**



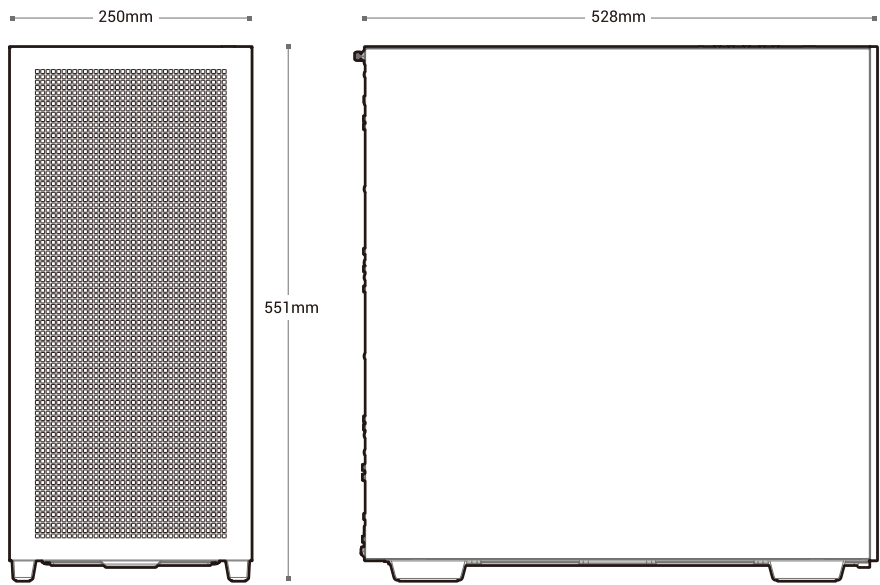
Cable ties

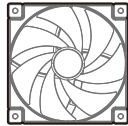
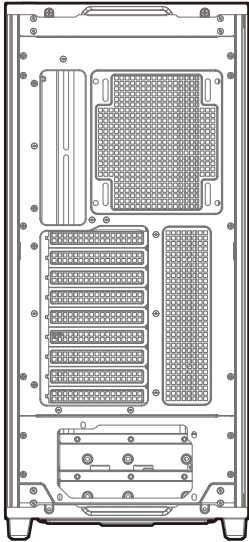
**x11**



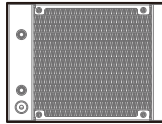
# Specifications

---

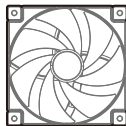
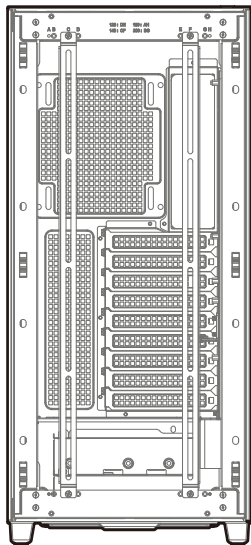




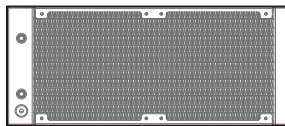
120mm×1  
140mm×1



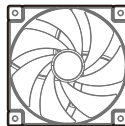
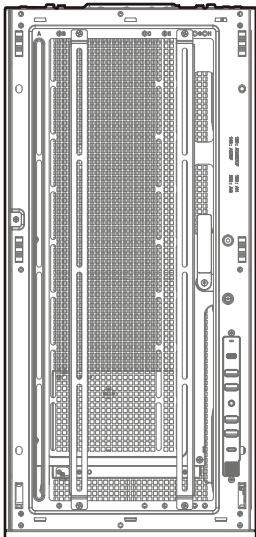
120/140mm



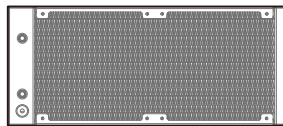
120mm×3  
140mm×3  
180mm×2  
200mm×2



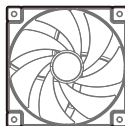
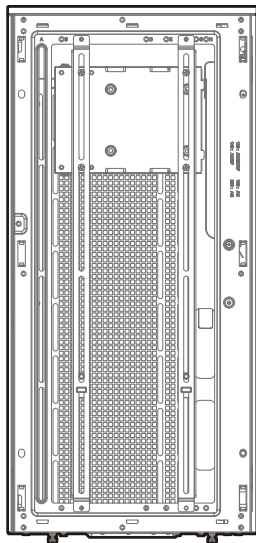
120/140/240/280/360/420mm



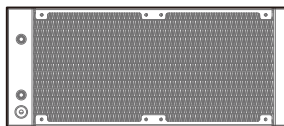
120mm×3  
140mm×3  
180mm×2  
200mm×2



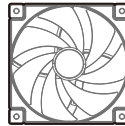
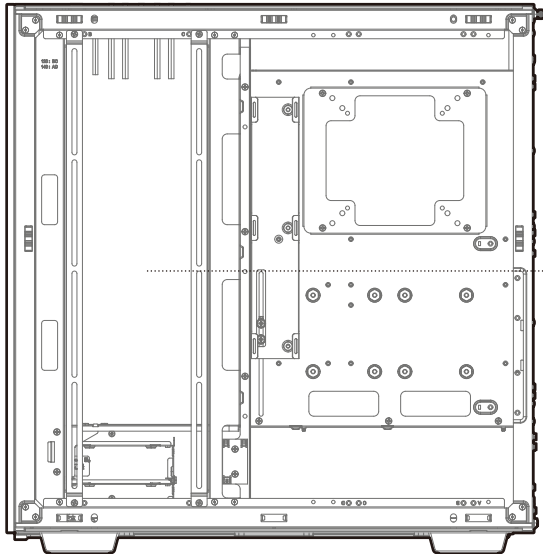
120/140/240/280/360/420mm



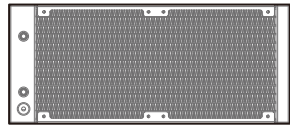
120mm×3  
140mm×3  
180mm×2  
200mm×2



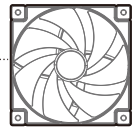
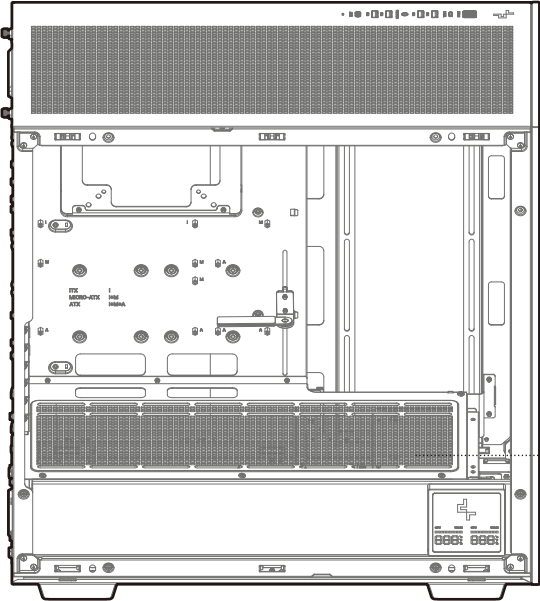
120/140/240/280/360/420mm



120mm×3  
140mm×3

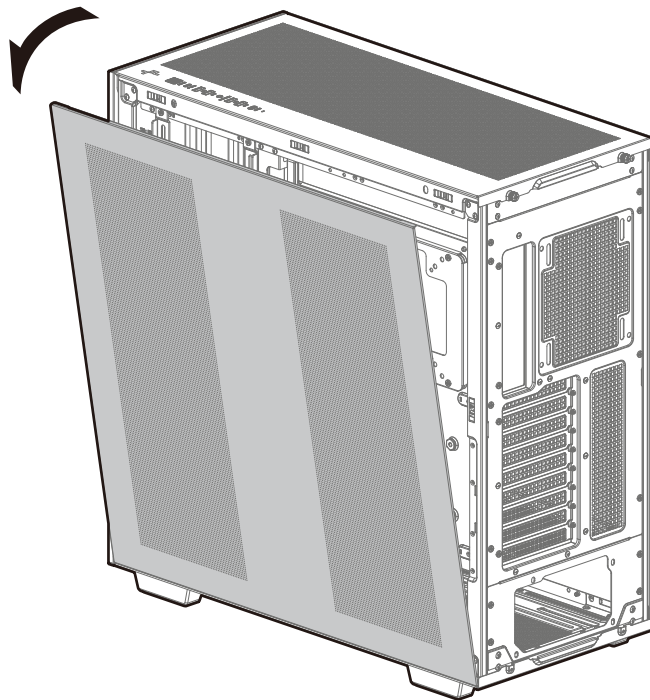


120/140/240/280/360/420mm

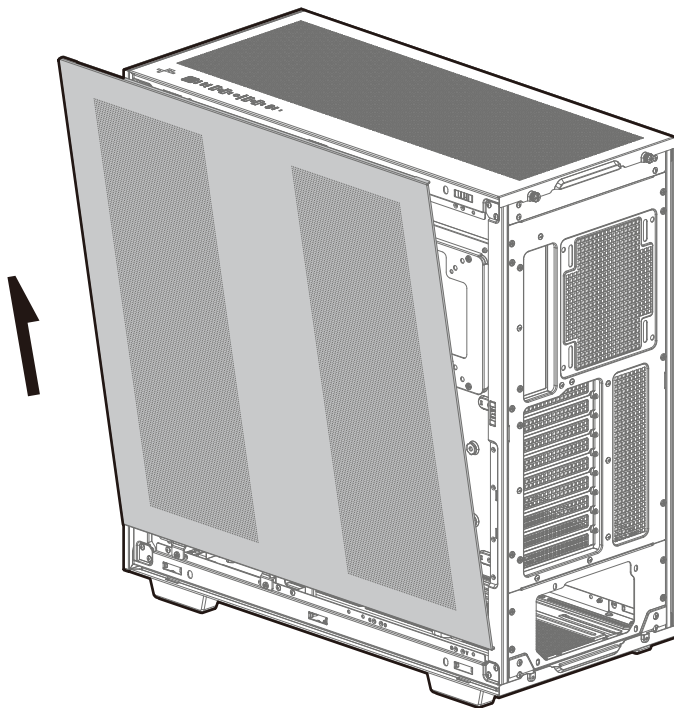


120mm×3  
140mm×3

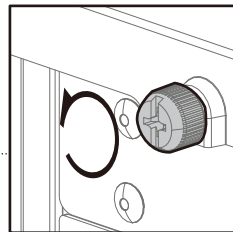
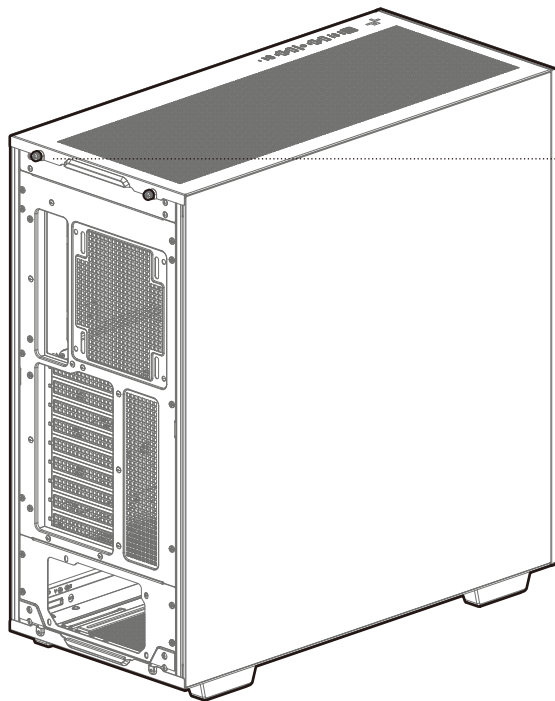
## Removing the Mesh Side Panel

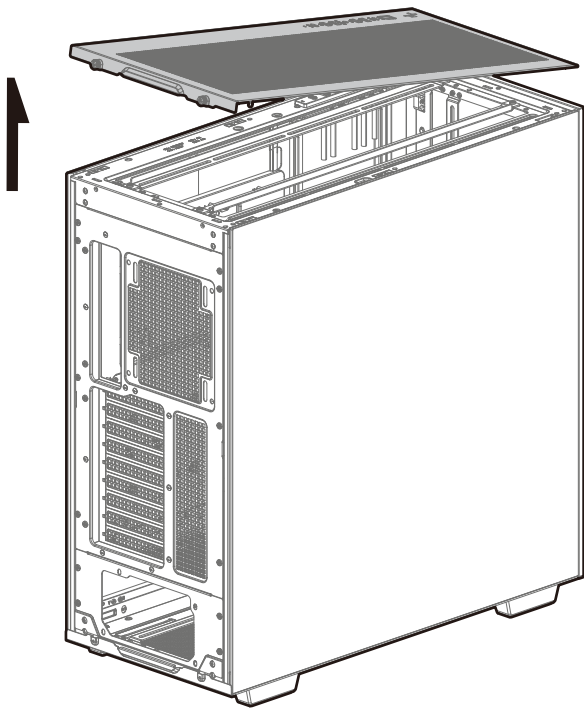


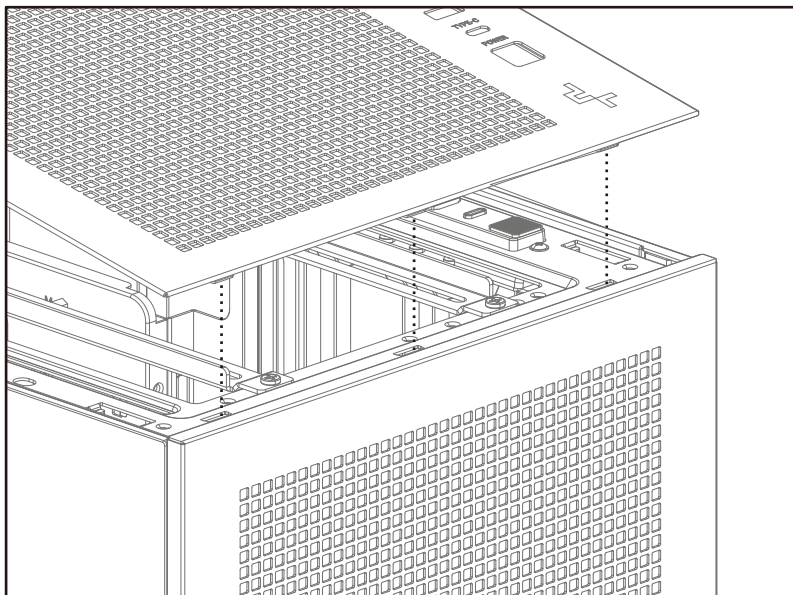




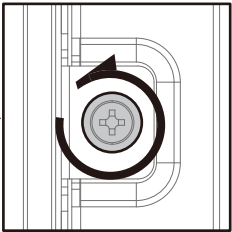
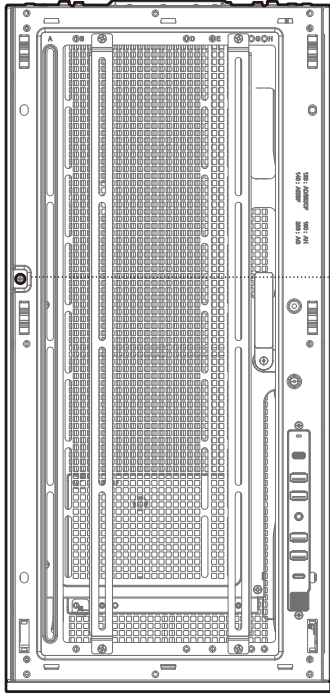
## Removing the Top Panel

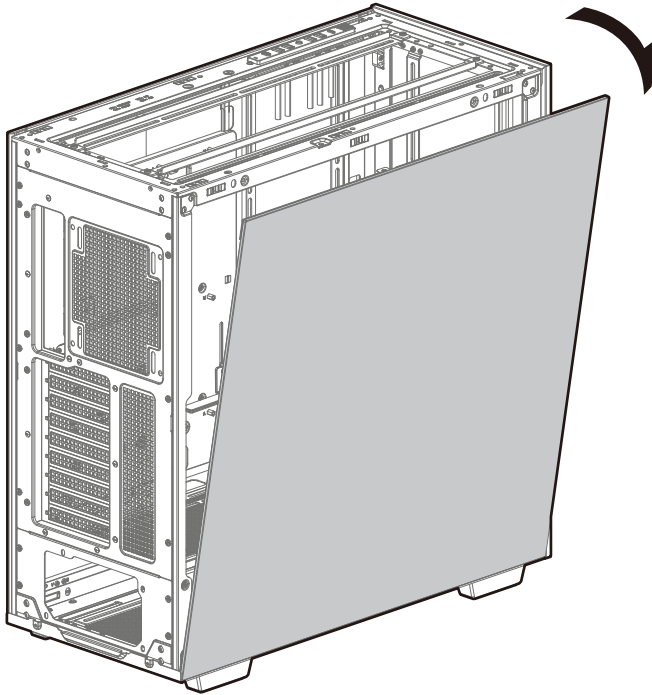


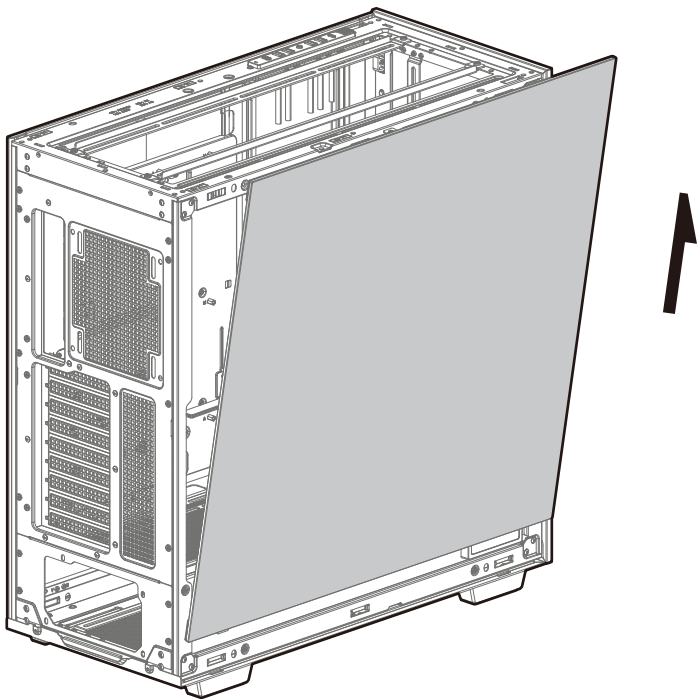




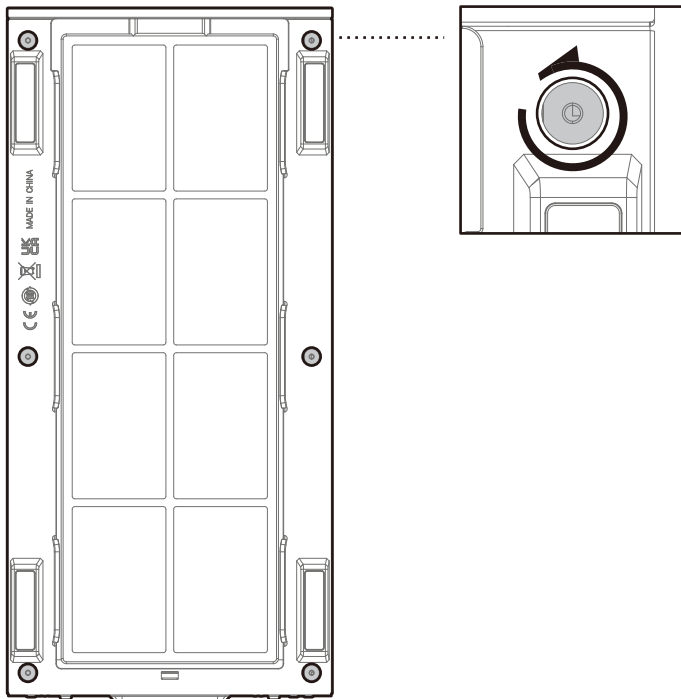
# Removing the Tempered Glass Side Panel



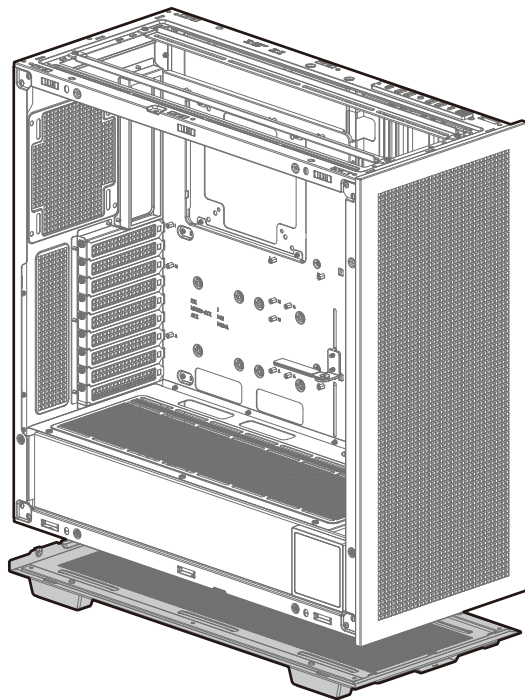




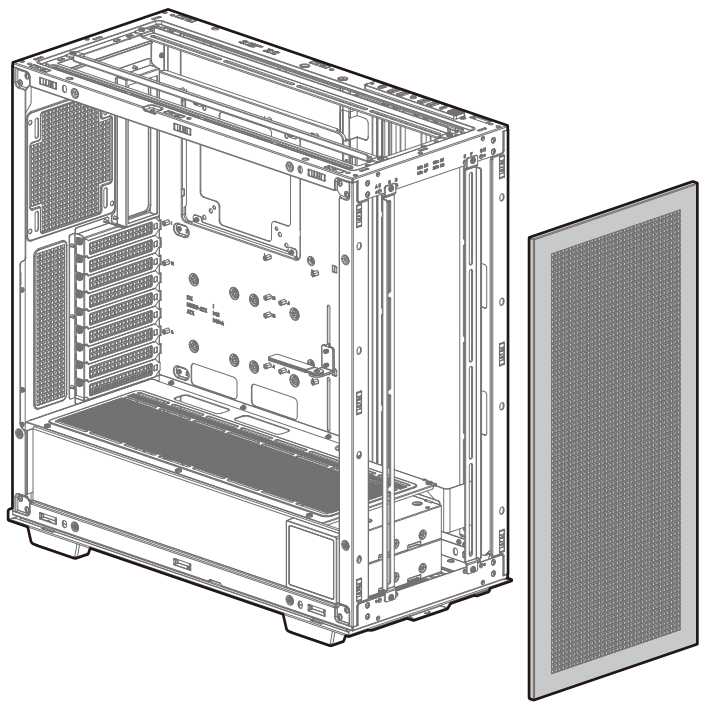
## Removing the Bottom Panel



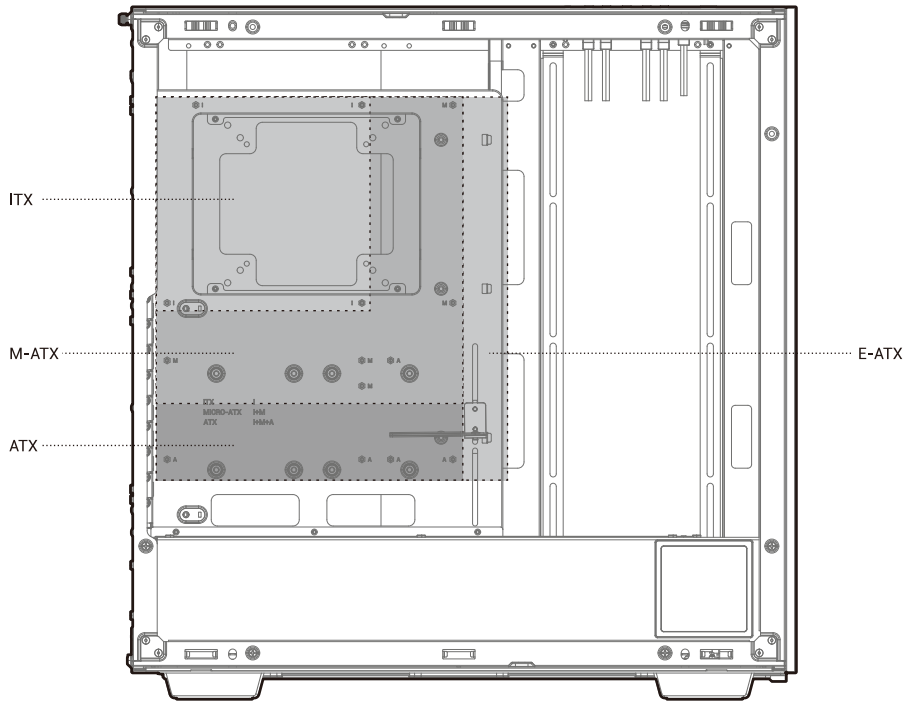




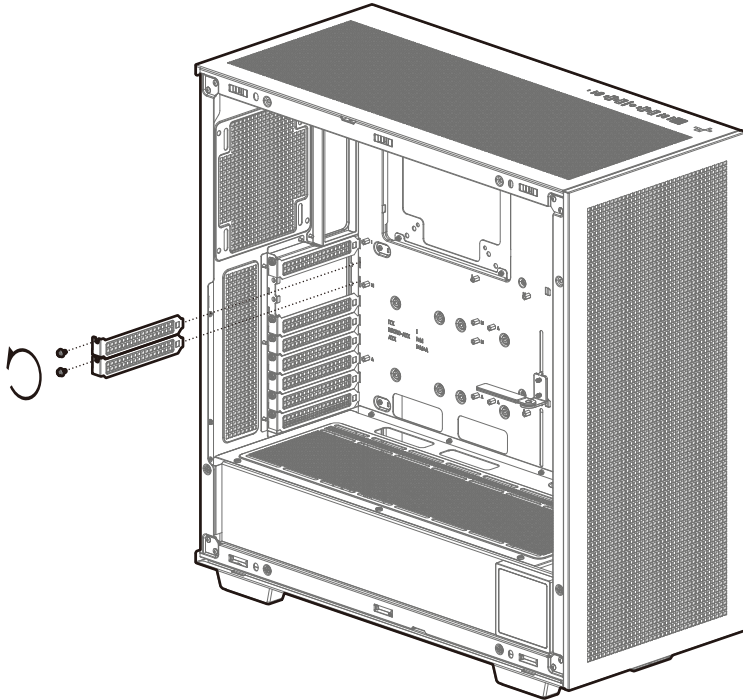
## Removing the Front Panel



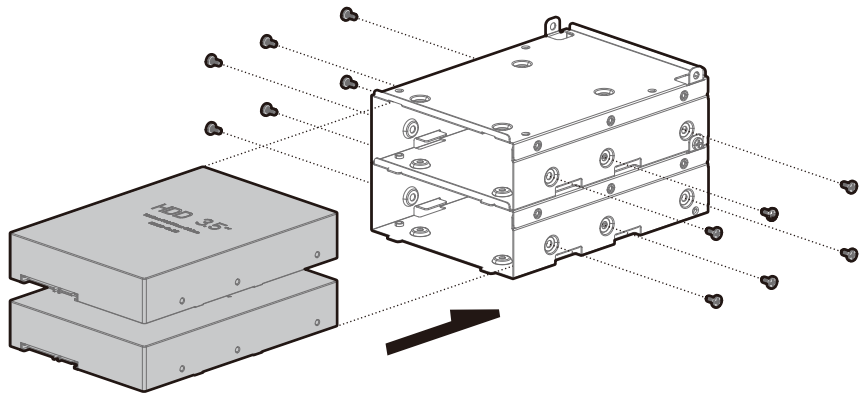
# Installing the Motherboard

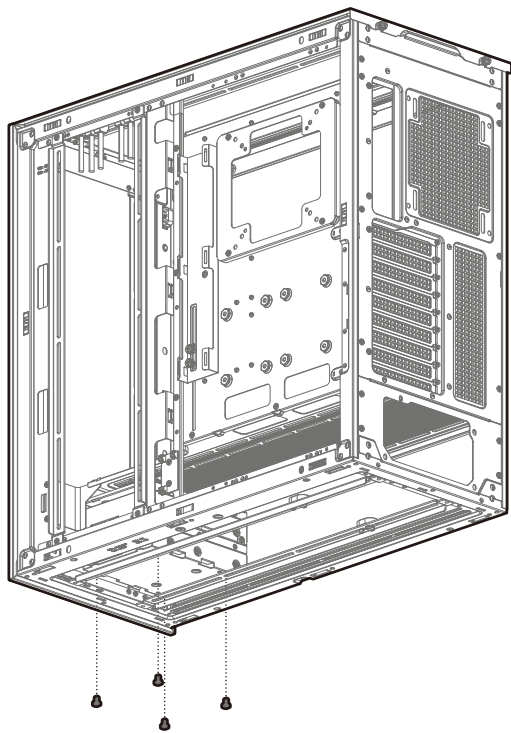


## Installing the GPU

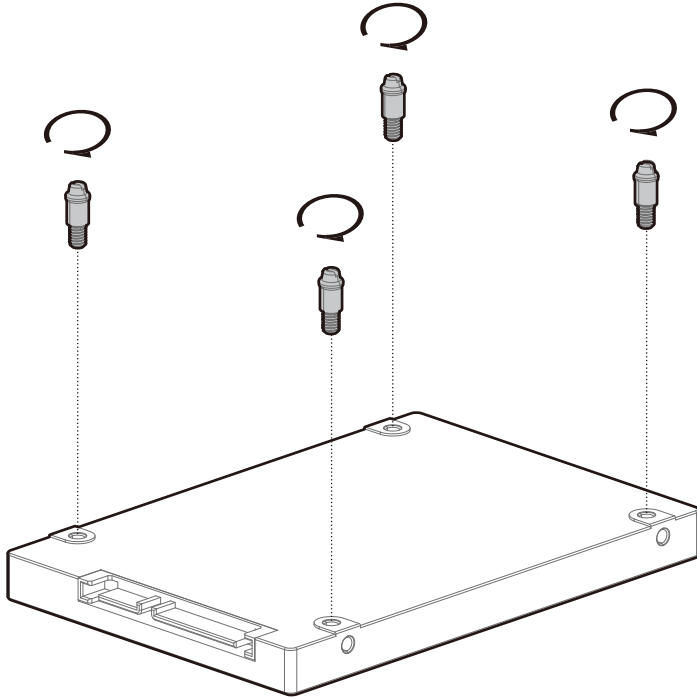


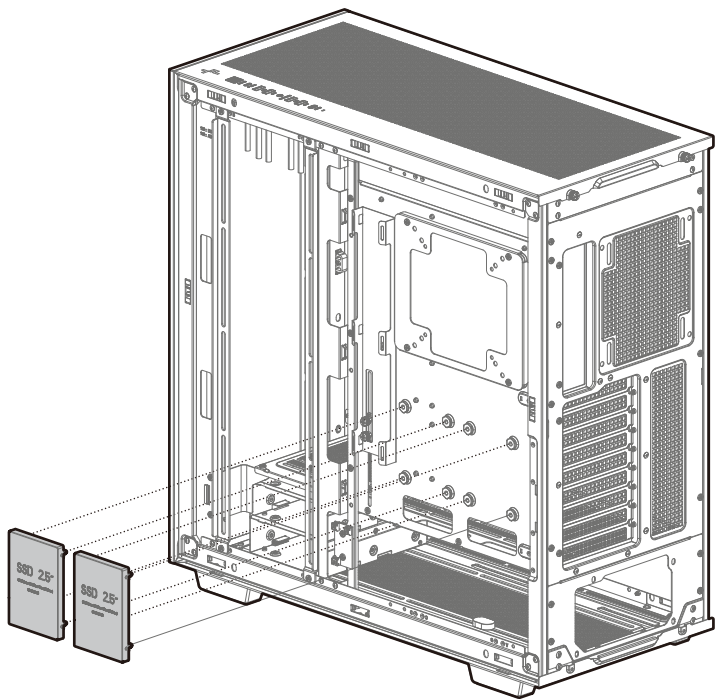
# Installing HDDs





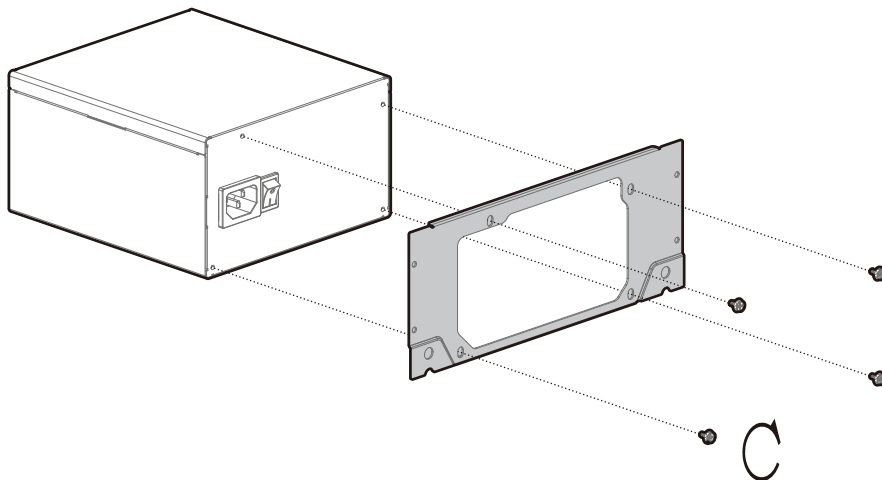
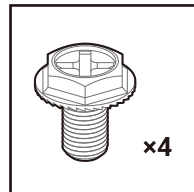
# Installing SSDs

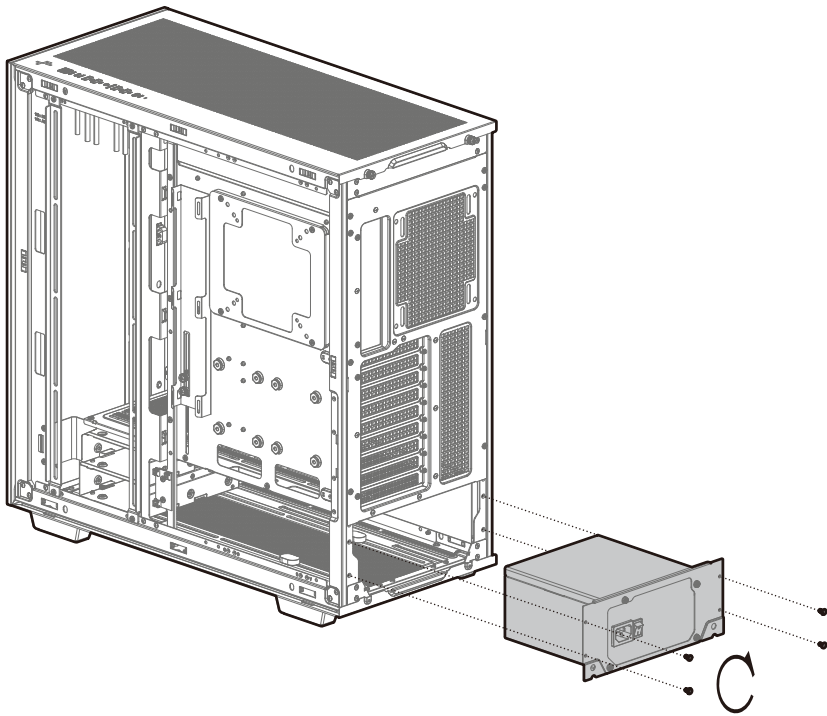




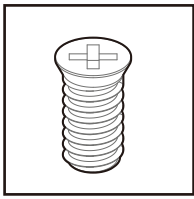
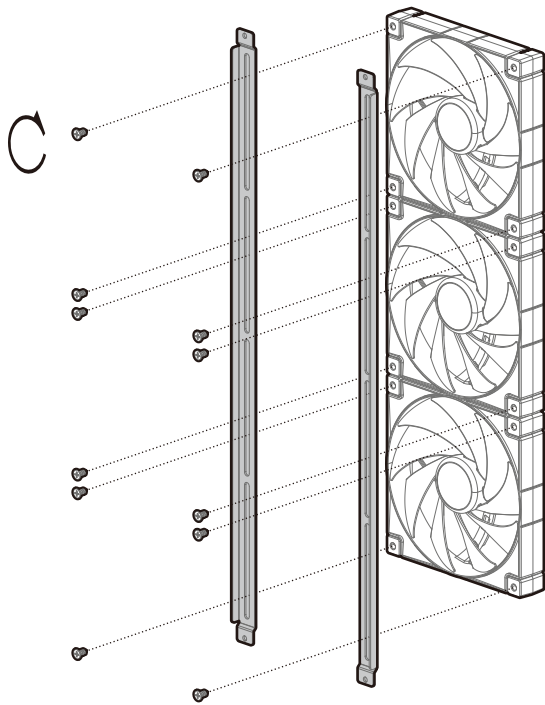


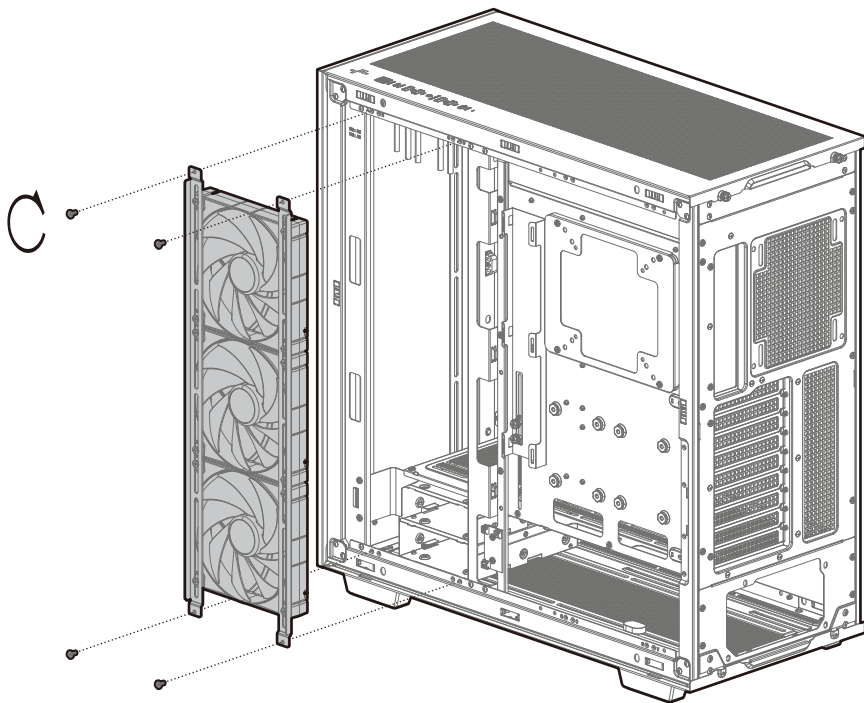
# Installing the Power Supply

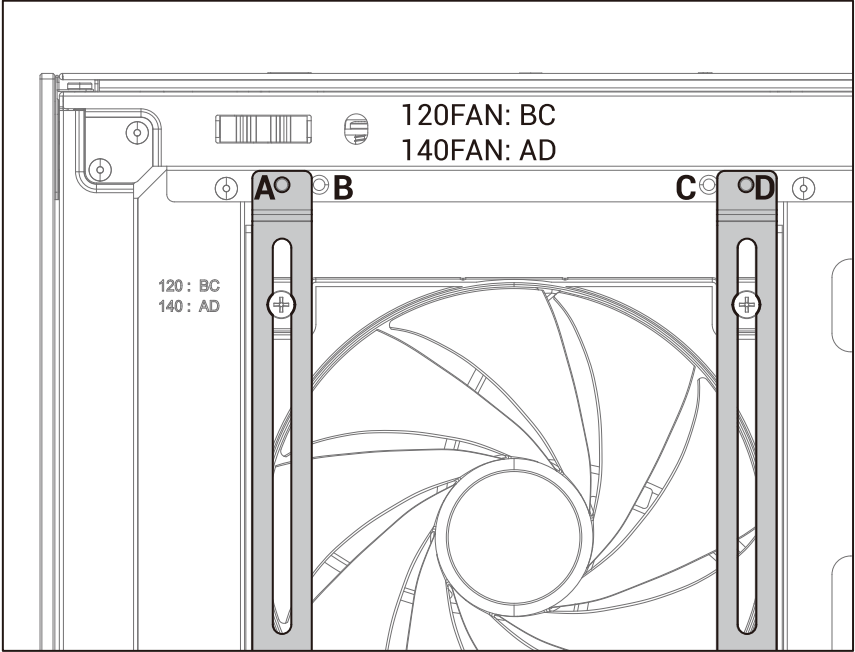


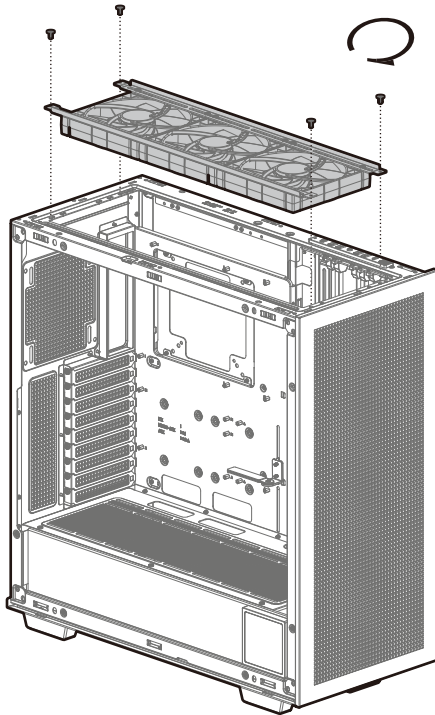


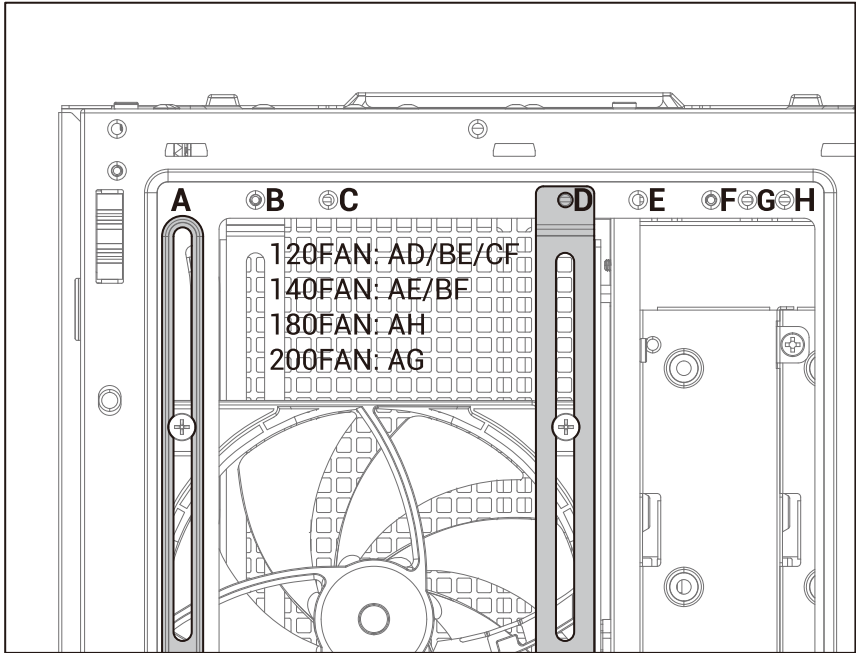
# Installing Fan Brackets



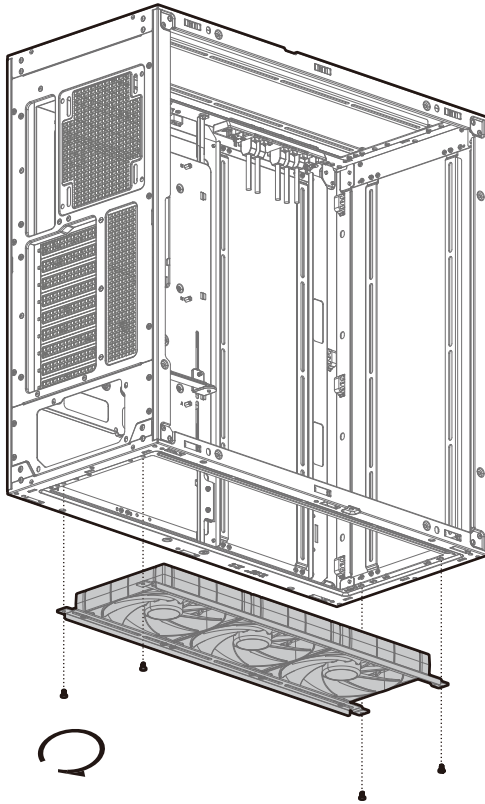




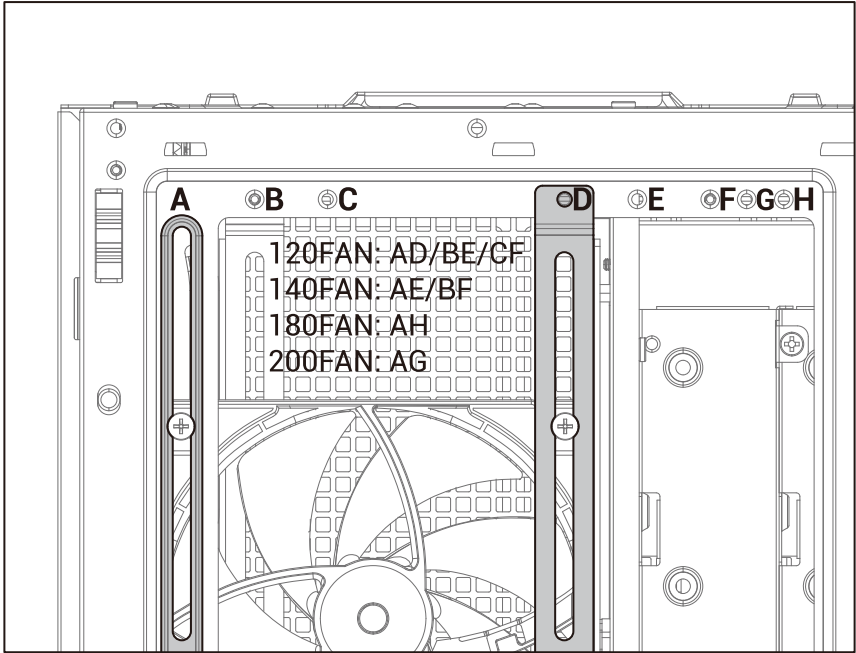




# BOTTOM







**FRONT**

