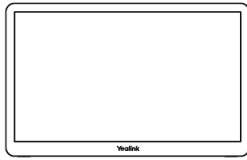
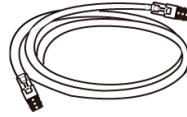


MTouch Plus Installation

Package Contents

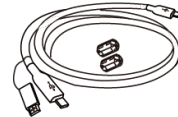


MTouch Plus



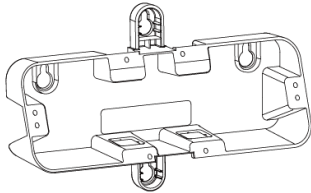
(7.5m, 24.6ft)

CAT5e UTP (RJ45 - RJ45) Cable



(1.2m, 3.94ft)

USB 3.1 (C - C, HDMI) Cable



(207.44 mm * 126.99 mm)

Mounting Bracket



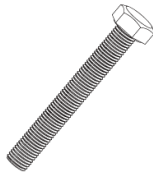
× 4

φ6 * 30 mm, white, Polyamide



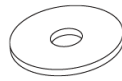
× 4

4*30 FAHOZN3+ (+)



× 2

M8*60mm, SUS304



(M8, φ30*T2mm, SUS304)

Washer



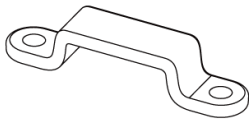
× 2



× 2

(M8, SUS304)

Wing Nuts



Lock cable buckle



× 4

2.5*8.0PAHOZN3+(+)



× 4

2.5*9.0FMHZN(+)



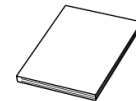
(L200*W62.5*T1.2mm)

Double-Coating Tape



(WH-85*3.0mm)

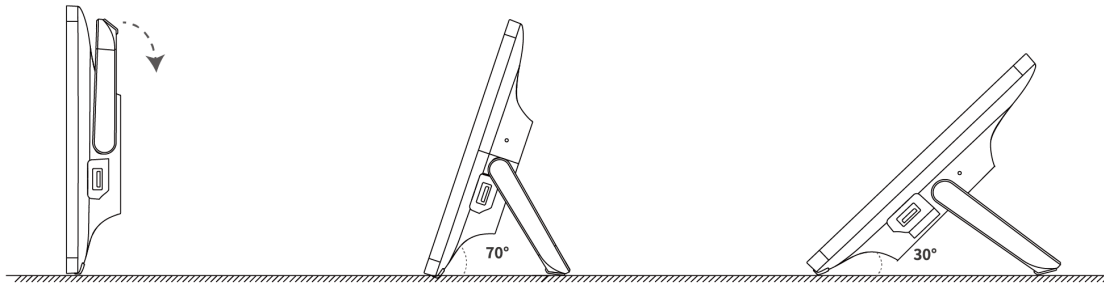
Screwdriver



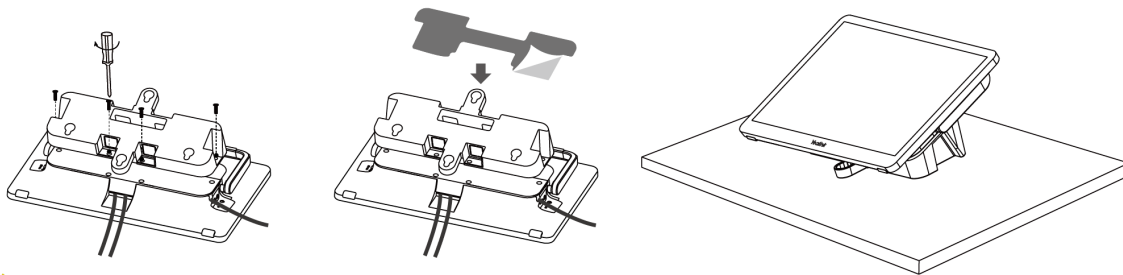
Quick Start Guide


Installation

Put on a table

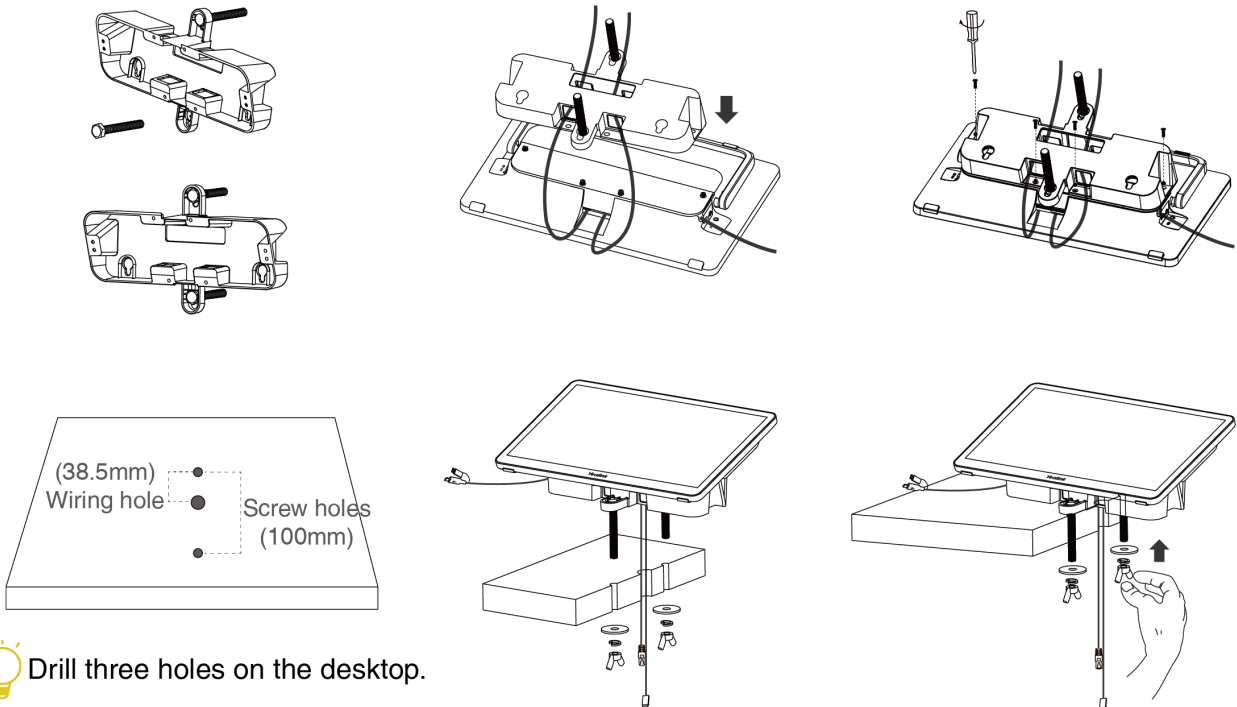



Paste on a table



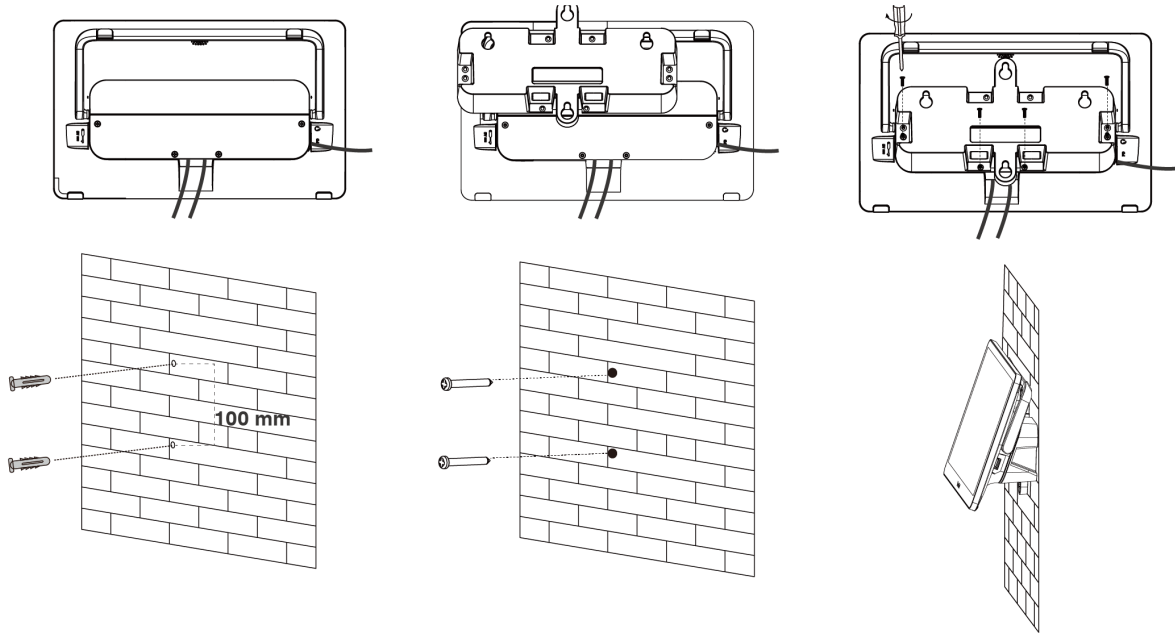
 Please select the outlet hole according to your need.

Fix on a table



 Drill three holes on the desktop.

Wall installation

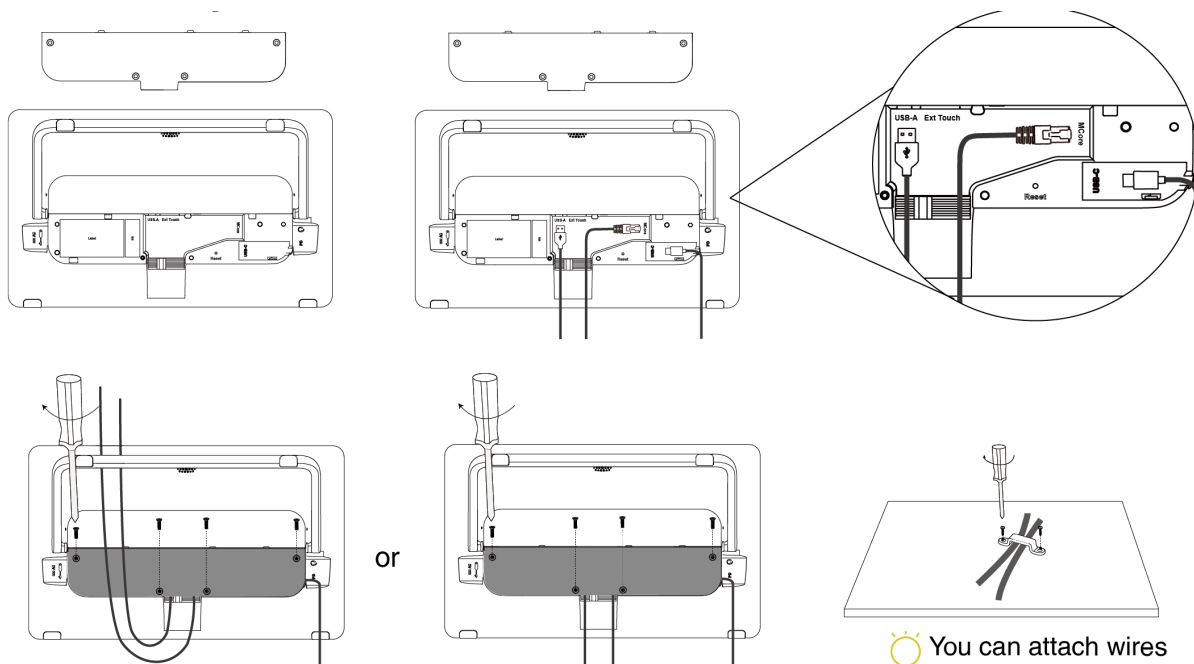



NOTE

- We recommend that the height of the wall installation is 1m~1.5m from the ground.
- Please select the outlet hole according to your need. If the conference room environment allows, you can also wire through the wall.

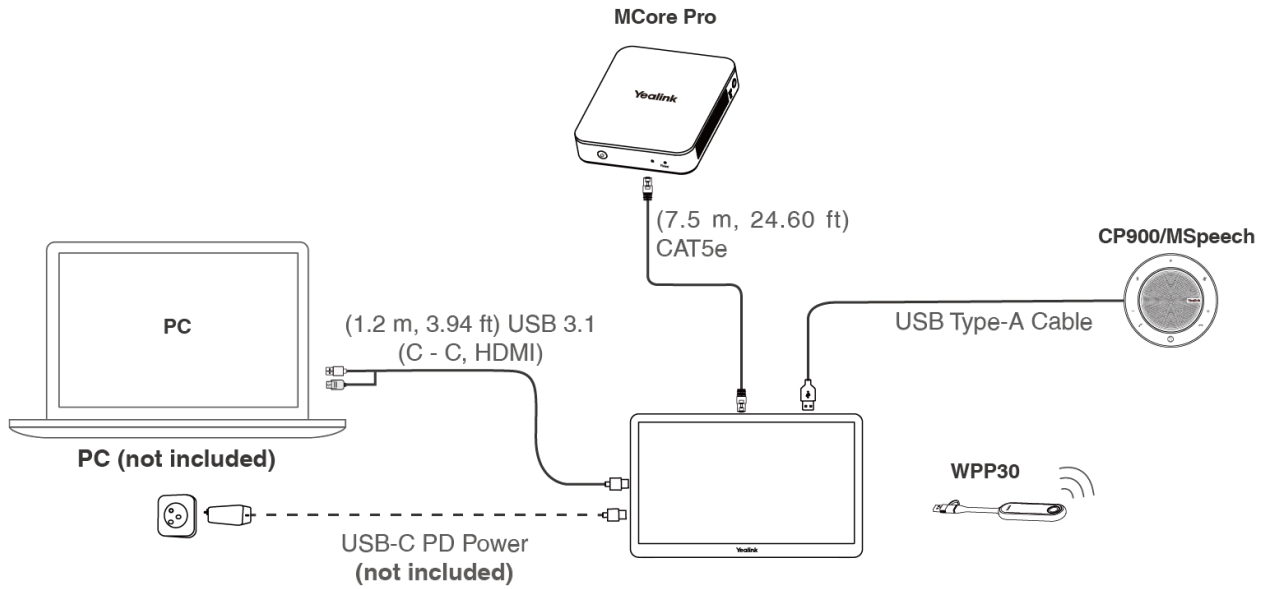
Connection

Assemble your MTouch Plus



 You can attach wires to a desk or wall.

Connect your MTouch Plus



NOTE

- You can purchase additional PD power supply to power the PC.
- Not included accessories requirements:
 - » PC: Equipped with HDMI or USB-C (support DP protocol) Port.
 - » USB-C PD Power: A PD power adapter with a power transmission greater than 45W, equipped with a USB-C cable.