



# AX3000 Gigabit Wi-Fi 6 Access Point

Next-Gen Wi-Fi for More Devices



TL-WA3001



2402 Mbps 5 GHz +  
574 Mbps 2.4 GHz†



Flexible Deployment  
with Passive PoE



160 MHz  
Channel Bandwidth



Captive Portal  
Marketing



WPA3  
Encryption\*

# Highlights

## Multiple Operation Modes

TL-WA3001 supports multiple operation modes: Access Point, Client, Range Extender, and Multi-SSID (VLAN Support) modes to meet any network need.

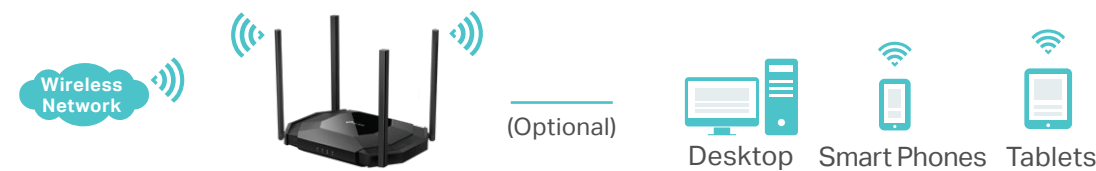
### Access Point Mode (Default Mode)

Transforms your existing wired network into a wireless network



### Range Extender Mode

Extends your existing wireless coverage by repeating the wireless signal



### Client Mode

Acts as a "Wireless Adapter" to connect your wired device (e.g. Xbox/PS3) to a wireless network



### Multi-SSID Mode

Simultaneously supports up to four separate SSIDs and VLANs on each band, making it ideal for offices where different departments with different access policies share a wireless network



## Captive Portal Marketing, Designed for Small Businesses

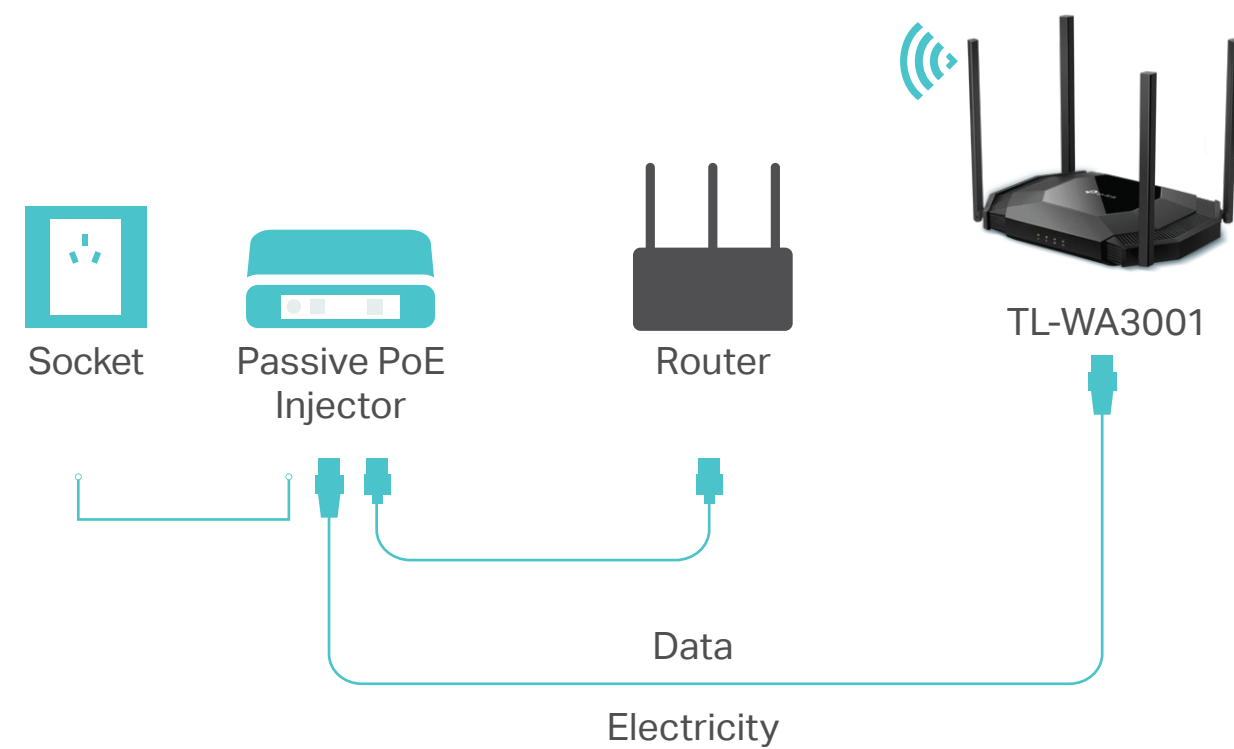
Captive Portal offers unique marketing opportunities, especially for small businesses like cafes or pharmacies. Utilize a flexibly designed portal page—requiring customers to view an advertisement or accept a set of terms for internet access—to improve brand awareness or deliver marketing messages.



# Highlights

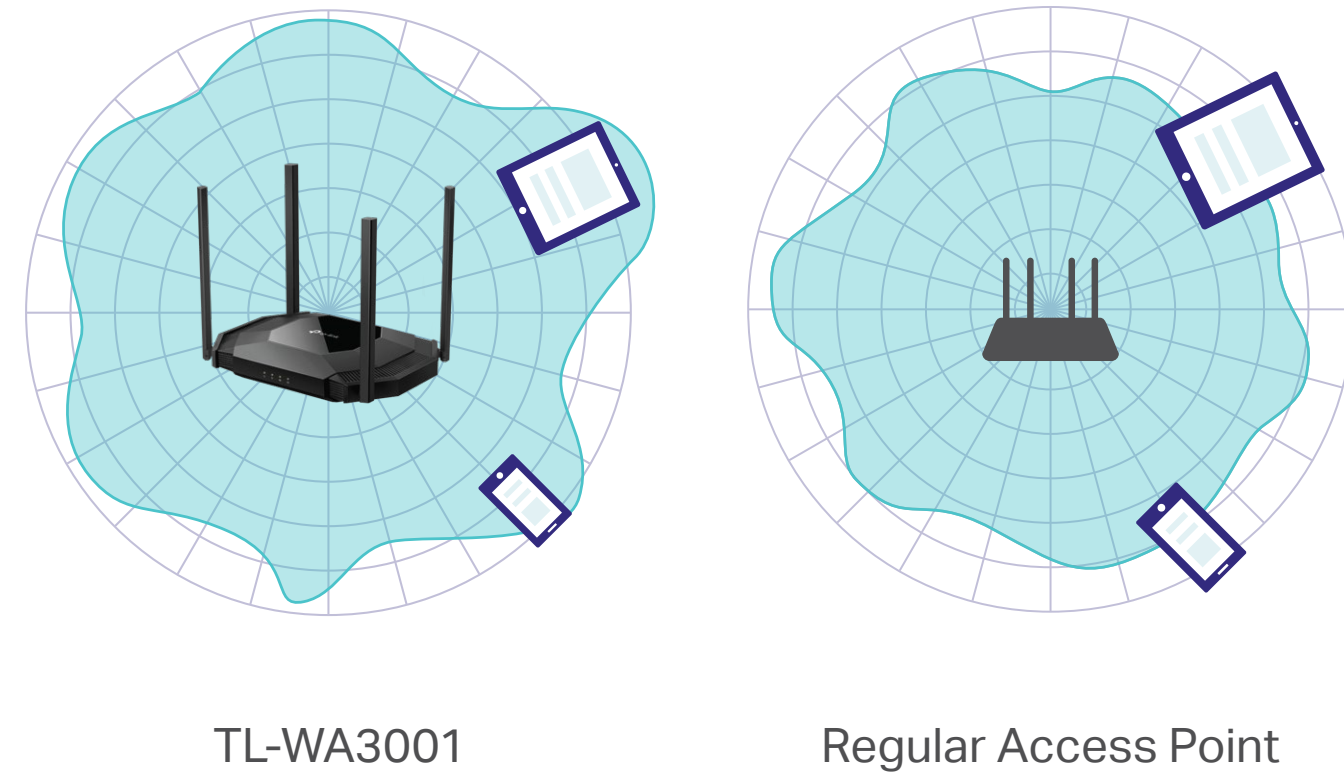
## Passive PoE for More Flexible Deployment

The TL-WA3001 can be powered using an Ethernet cable to simultaneously send data and electricity to wherever your Access Point may be located even up to 100 feet away.\*\*



## Vast Wi-Fi Coverage

Beamforming technology concentrates Wi-Fi towards devices to create stronger connections. Four external antennas deliver Wi-Fi to every corner of your home†.



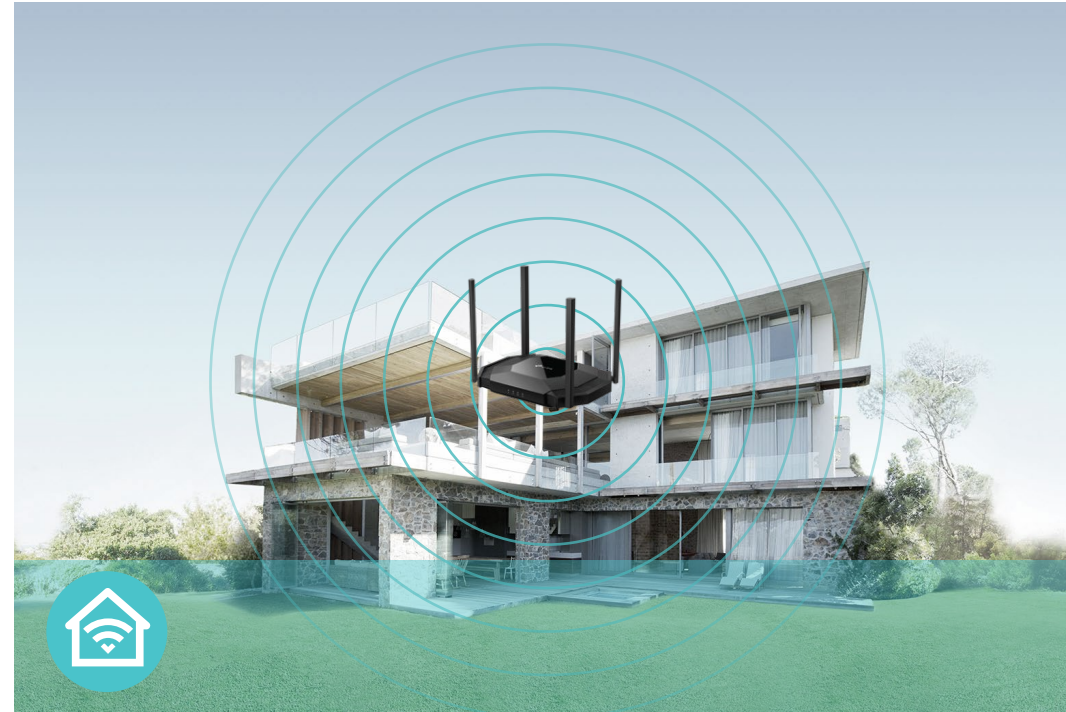


# Features



## Speed

- Ultimate Wireless Speed – 574 Mbps on 2.4 GHz + 2402 Mbps on 5 GHz†
- Gigabit Ethernet Port – Makes full use of the gigabit broadband speed



## Wi-Fi Range

- Ultimate Range Wi-Fi – Four high-gain external antennas deliver a Wi-Fi signal to every corner of your home, making all of your connections more efficient and stable
- Beamforming Technology – Sends targeted Wi-Fi signal to individual devices for stronger connections



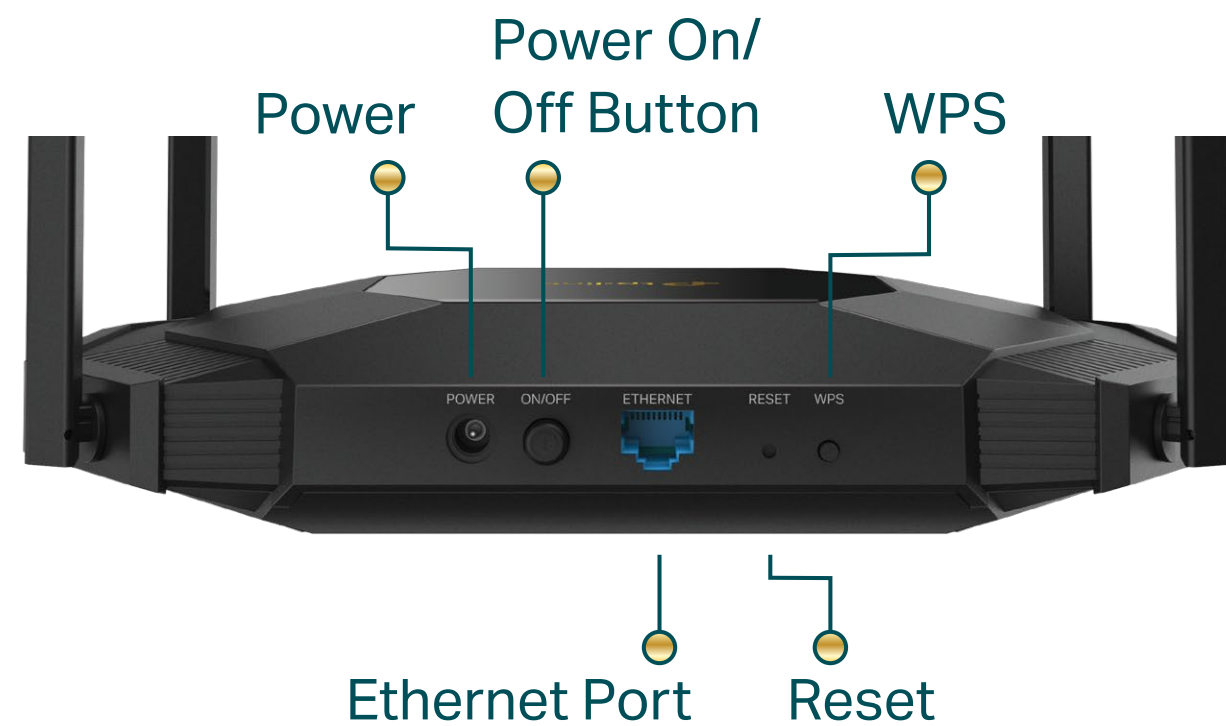
## Ease of Use

- Multi-Mode – Supports Access Point, Client, Range Extender, and Multi-SSID (VLAN Support) modes to meet any network need
- Intuitive Web UI – Ensures quick and simple installation without hassle
- WPS – Makes secure wireless connection quick and easy with the push of WPS button
- Quick Wi-Fi Sharing – Generates a QR code from Web UI to quickly share Wi-Fi with your guests

# Specifications

## Hardware

- Port: 1 Gigabit Port (Supports Passive PoE)
- Buttons: Power On/Off Button, WPS Button, Reset Button
- Antennas: 4 Fixed High Performance Antennas
- External Power Supply: 48V/0.5A
- Dimensions (W x D x H): 9.4×6.5×1.7 in (240×165×43.6mm)



## Wireless

- Wireless: IEEE802.11b/g/n/ax 2.4 GHz, IEEE 802.11a/n/ac/ax 5 GHz
- Frequency: 2.4 GHz and 5 GHz
- Signal Rate: 2402 Mbps at 5 GHz, 574 Mbps at 2.4 GHz
- Transmit Power:  
FCC: <23dBm(2.4GHz), <22dBm(5GHz)
- Reception Sensitivity:  
5 GHz:  
11ax HE20 MCS0:-97dBm, 11ac VHT20 MCS9:-73dBm, 11ax HE20 MCS11:-67dBm  
11ax HE40 MCS0:-94dBm, 11ac VHT40 MCS9:-70dBm, 11ax HE40 MCS11:-63dBm  
11ax HE80 MCS0:-91dBm, 11ac VHT80 MCS9:-66dBm, 11ax HE80 MCS11:-60dBm  
11ac VHT160 MCS9:-63dBm, 11ax HE160 MCS11:-58dBm  
2.4 GHz:  
11ac VHT20 MCS0:-97dBm, 11ac VHT20 MCS8:-73dBm, 11ax HE20 MCS11:-65dBm  
11ac VHT40 MCS0:-93dBm, 11ac VHT40 MCS9:-69dBm, 11ax HE40 MCS11:-62dBm
- Wireless Function:  
Enable/Disable Wireless Radio, WMM, Wireless Statistics, Access Control
- Wireless Security:  
WPA, WPA2, WPA3, WPA/WPA2-Enterprise encryptions
- DHCP:  
DHCP Server, DHCP Client List

# Specifications

## Software

- Quality of Service: WMM
- DHCP: Server, DHCP Client List
- Wireless Modes: Access Point, Range Extender, Client, Multi-SSID
- Protocols: IPv4, IPv6
- System Tools: SNMP, Ping Watchdog



## Others

- Certification:  
FCC, RoHS
- System Requirements:  
Internet Explorer 11+, Firefox 12.0+, Chrome 20.0+, Safari 4.0+, or other JavaScript-enabled browser
- Environment:  
Operating Temperature: 0°C ~ 40°C(32°F ~ 104°F)  
Operating Humidity: 10%~90% non-condensing
- Package Contents  
Wireless Access Point TL-WA3001  
Power Adapter  
RJ45 Ethernet Cable  
Quick Installation Guide  
PoE Power Injector



For more information, please visit

<https://www.tp-link.com/products/details/?model=TL-WA3001>

or scan the QR code left

\*Maximum wireless signal rates are the physical rates derived from IEEE Standard 802.11 specifications. Actual wireless data throughput and wireless coverage are not guaranteed and will vary as a result of network conditions, client limitations, and environmental factors, including building materials, obstacles, volume and density of traffic, and client location.

\*Use of WPA3 requires clients to also support the corresponding feature.

\*\*Only the Ethernet cable of UTP or higher specifications can reach 100 feet.

©2022 TP-Link

[www.tp-link.com](http://www.tp-link.com)

TP-Link AX3000 Gigabit Wi-Fi 6 Access Point TL-WA3001