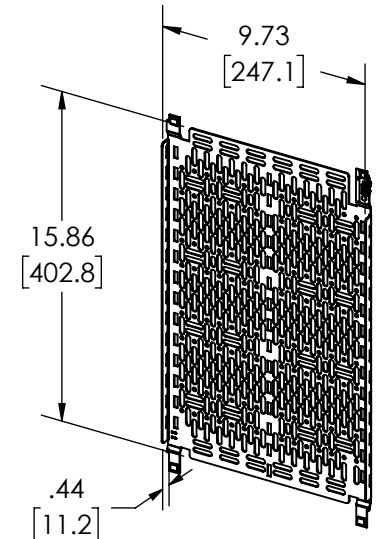
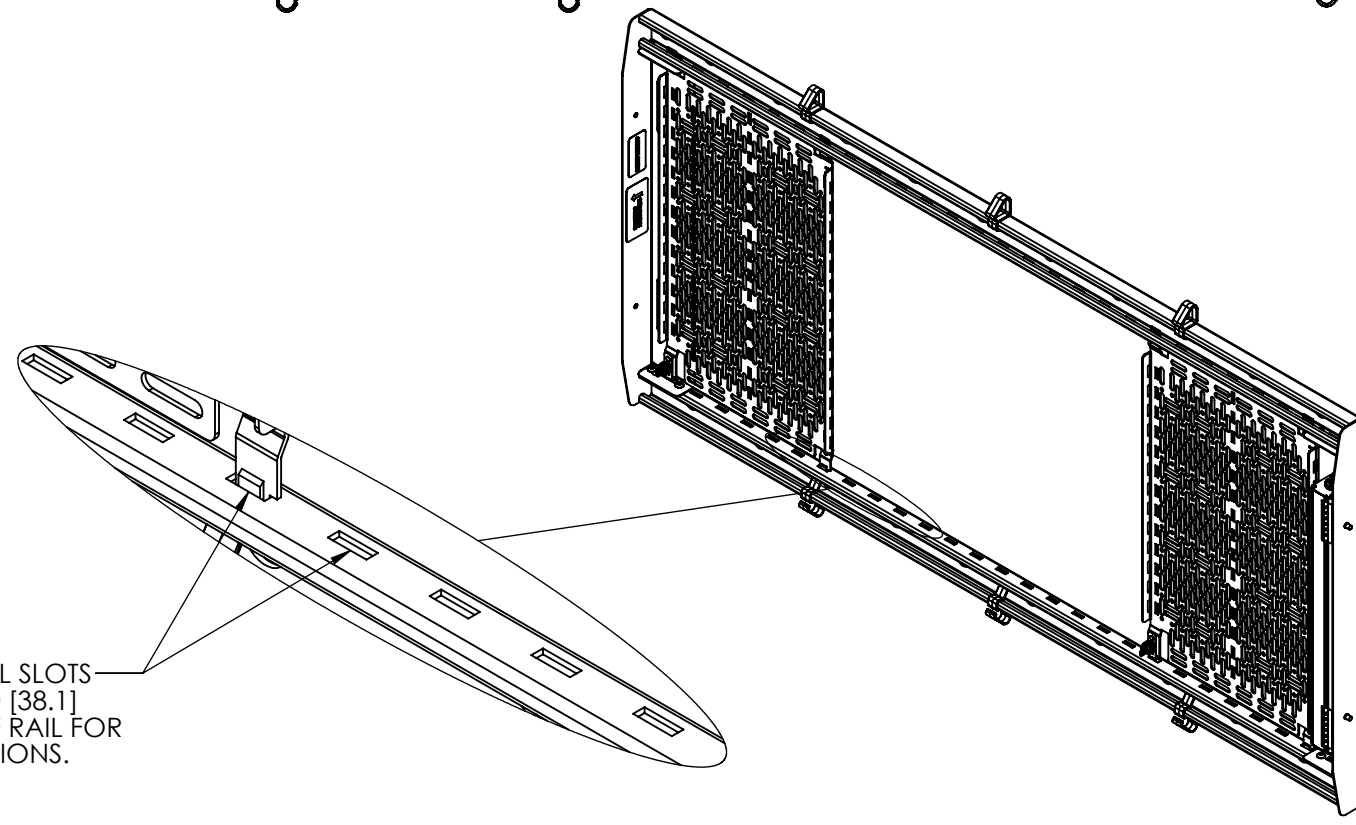
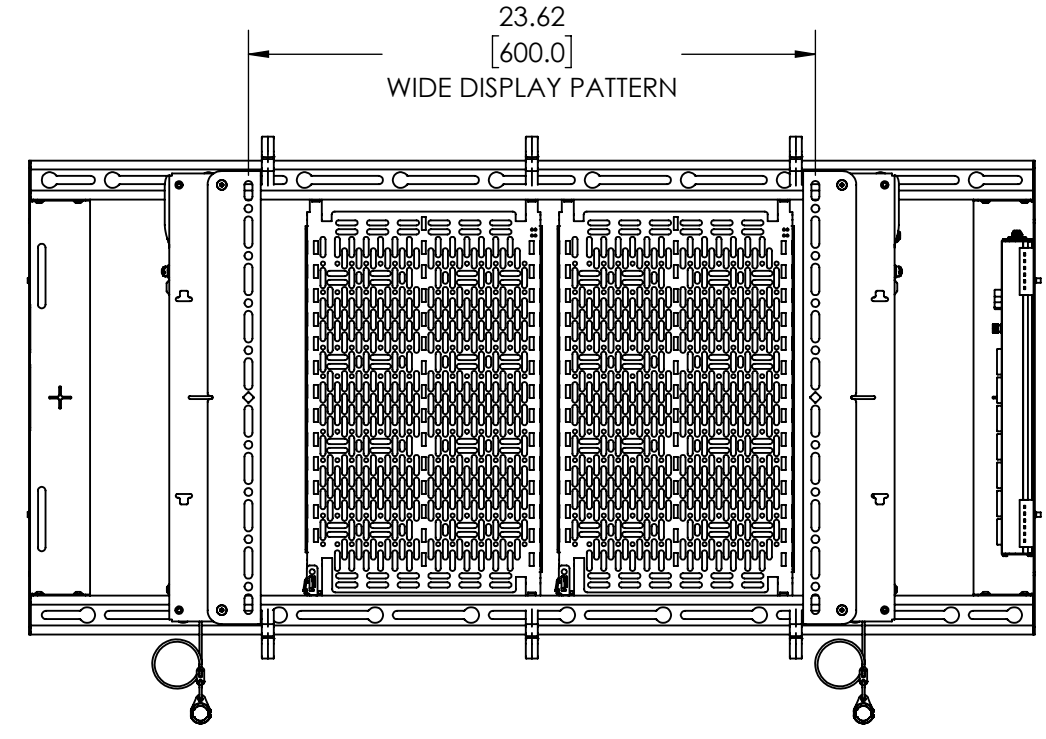
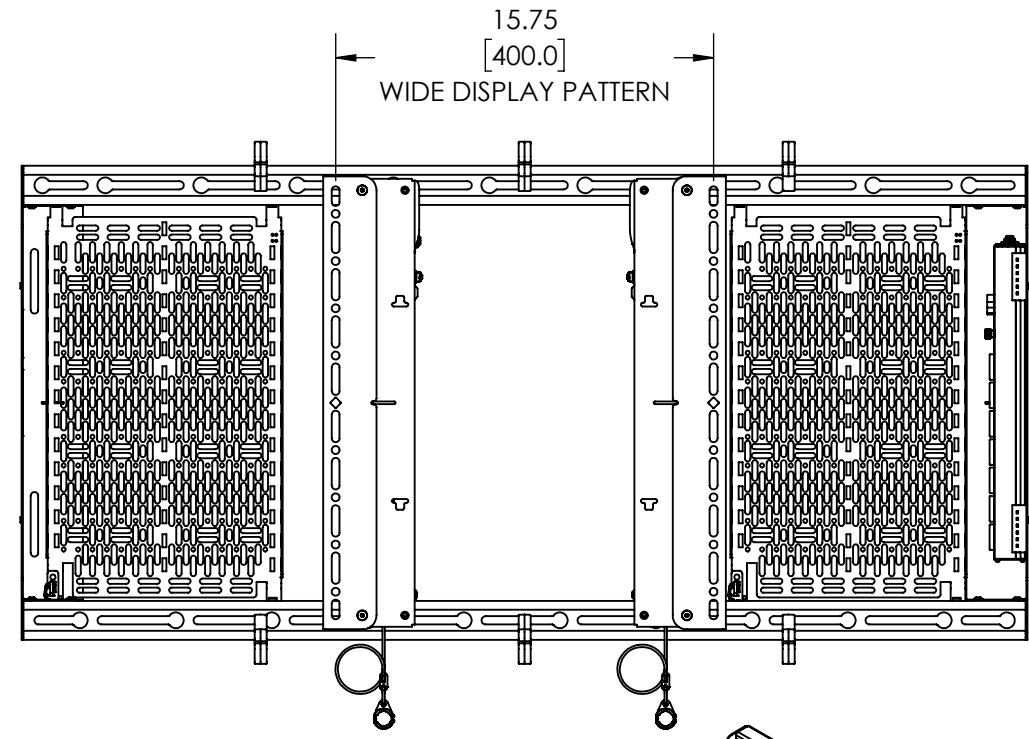


THE INFORMATION AND DESIGNS CONTAINED IN THIS DRAWING ARE CONFIDENTIAL AND THE PROPRIETARY PROPERTY OF LEGRAND | AV. NEITHER THIS DESIGN NOR ANY INFORMATION CONTAINED IN THIS DRAWING MAY BE REPRODUCED OR DISCLOSED TO OTHERS WITHOUT THE EXPRESS WRITTEN CONSENT OF LEGRAND | AV.

CAD GENERATED DRAWING, DO NOT MANUALLY UPDATE.				6436 CITY WEST PKWY EDEN PRAIRIE, MN, 55344 PHONE: 866-977-3901 FAX: 877-894-6918	
DRAWN BY	MJS	11/23/2022	DESCRIPTION		
ENG APPROVAL			TEMPO FP WALL MOUNT SYSTEM, PDU BUNDLE		
MFG APPROVAL			MODEL NO.		
QA APPROVAL			AS3LDP7		
SHEET 1 OF 5		SCALE	SIZE	DWG. NO.	REV.
		1:8	B	TECH-001252	04



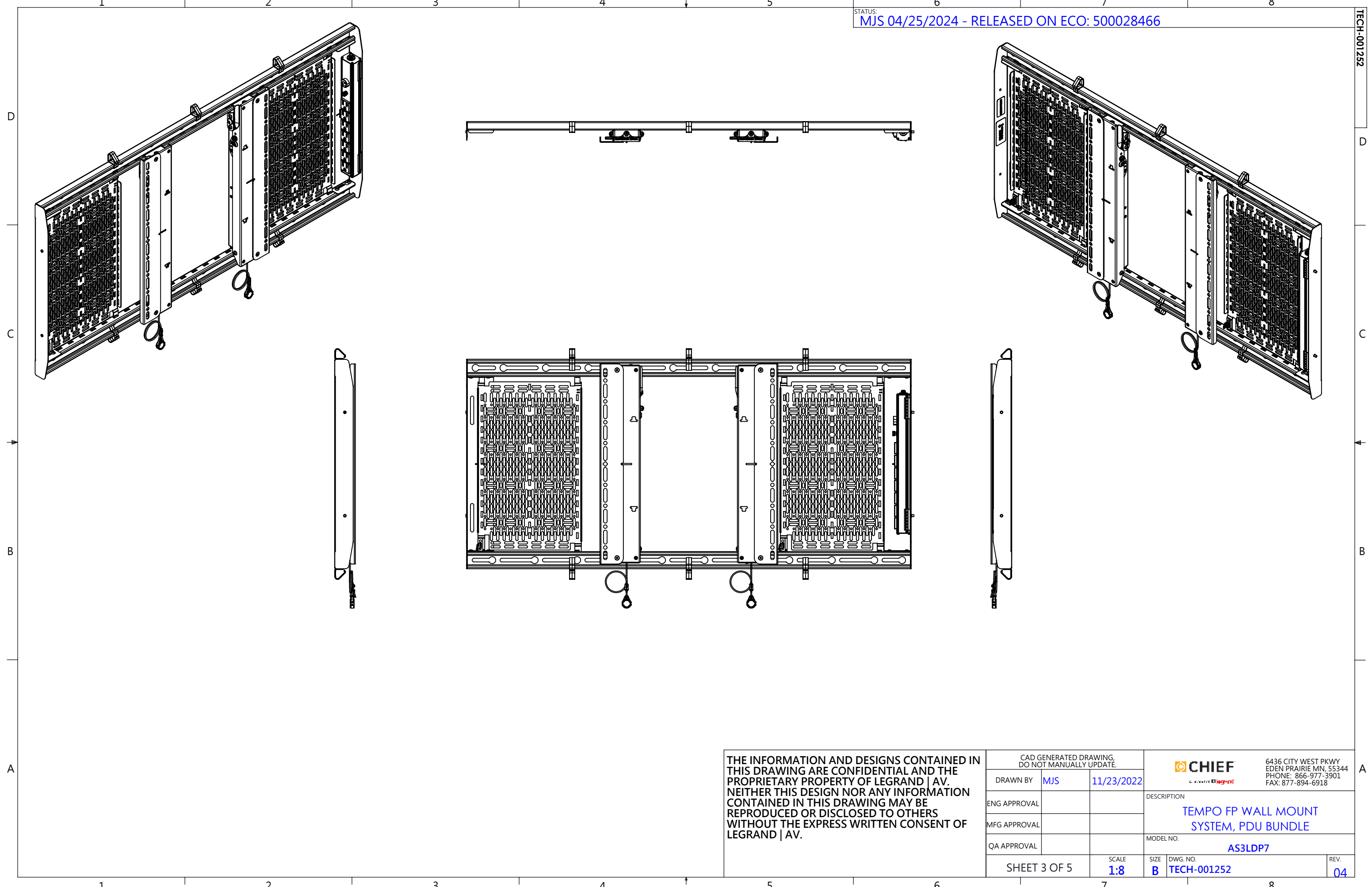
LEVER LOCK PANEL DETAIL

LEVER LOCK PANEL INSTALL SLOTS ARE PROVIDED EVERY 1.50 [38.1] ALONG ENTIRE LENGTH OF RAIL FOR FLEXIBLE POSITIONING OPTIONS.


DETAIL E
SCALE 1 : 2

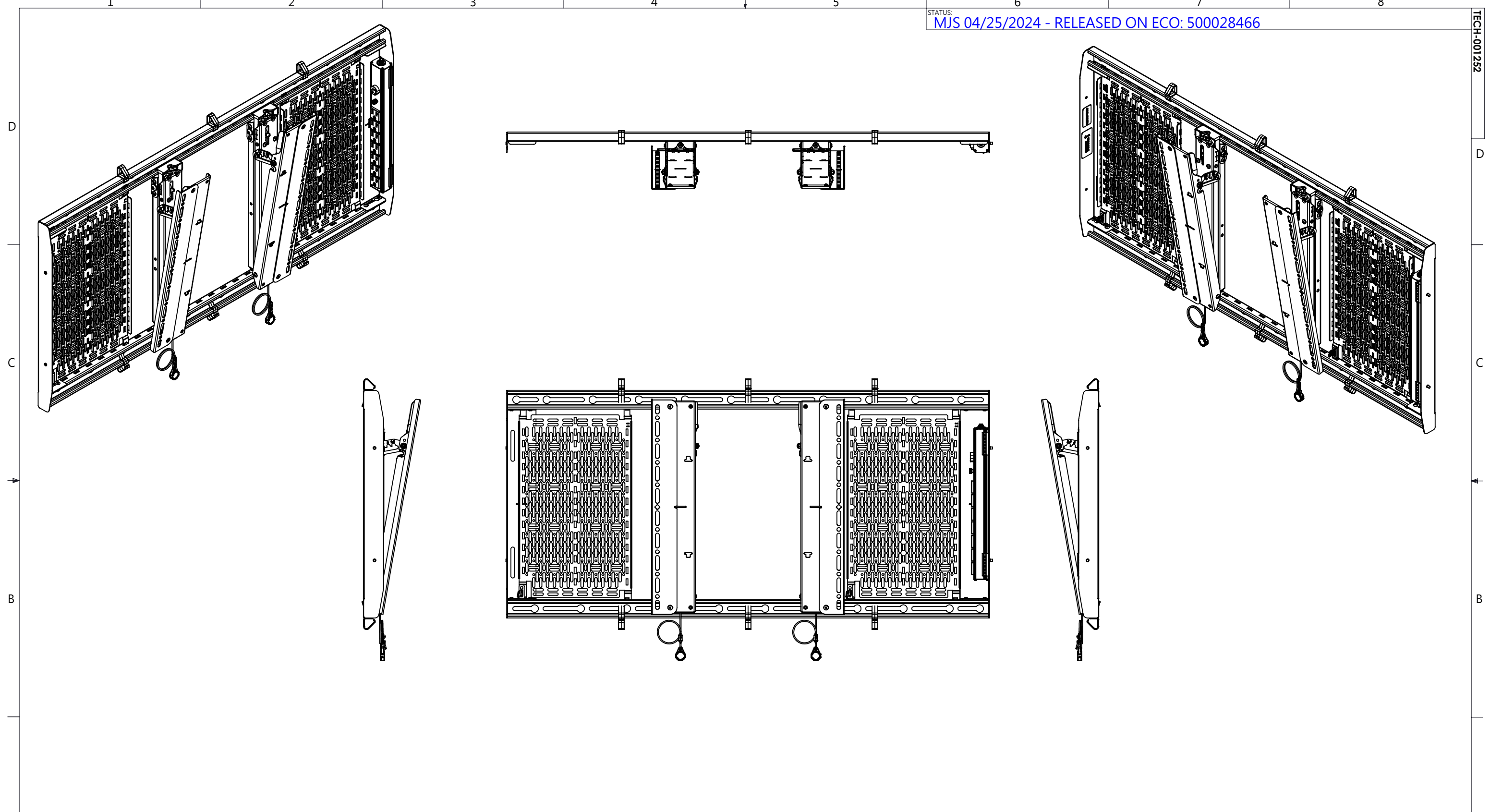
THE INFORMATION AND DESIGNS CONTAINED IN THIS DRAWING ARE CONFIDENTIAL AND THE PROPRIETARY PROPERTY OF LEGRAND | AV. NEITHER THIS DESIGN NOR ANY INFORMATION CONTAINED IN THIS DRAWING MAY BE REPRODUCED OR DISCLOSED TO OTHERS WITHOUT THE EXPRESS WRITTEN CONSENT OF LEGRAND | AV.

CAD GENERATED DRAWING, DO NOT MANUALLY UPDATE.				6436 CITY WEST PKWY EDEN PRAIRIE, MN, 55344 PHONE: 866-977-3901 FAX: 877-894-6918	
DRAWN BY	MJS	11/23/2022	DESCRIPTION		
ENG APPROVAL			TEMPO FP WALL MOUNT SYSTEM, PDU BUNDLE		
MFG APPROVAL			MODEL NO.		
QA APPROVAL			AS3LDP7		
SHEET 2 OF 5		SCALE	SIZE	DWG. NO.	REV.
		1:8	B	TECH-001252	04




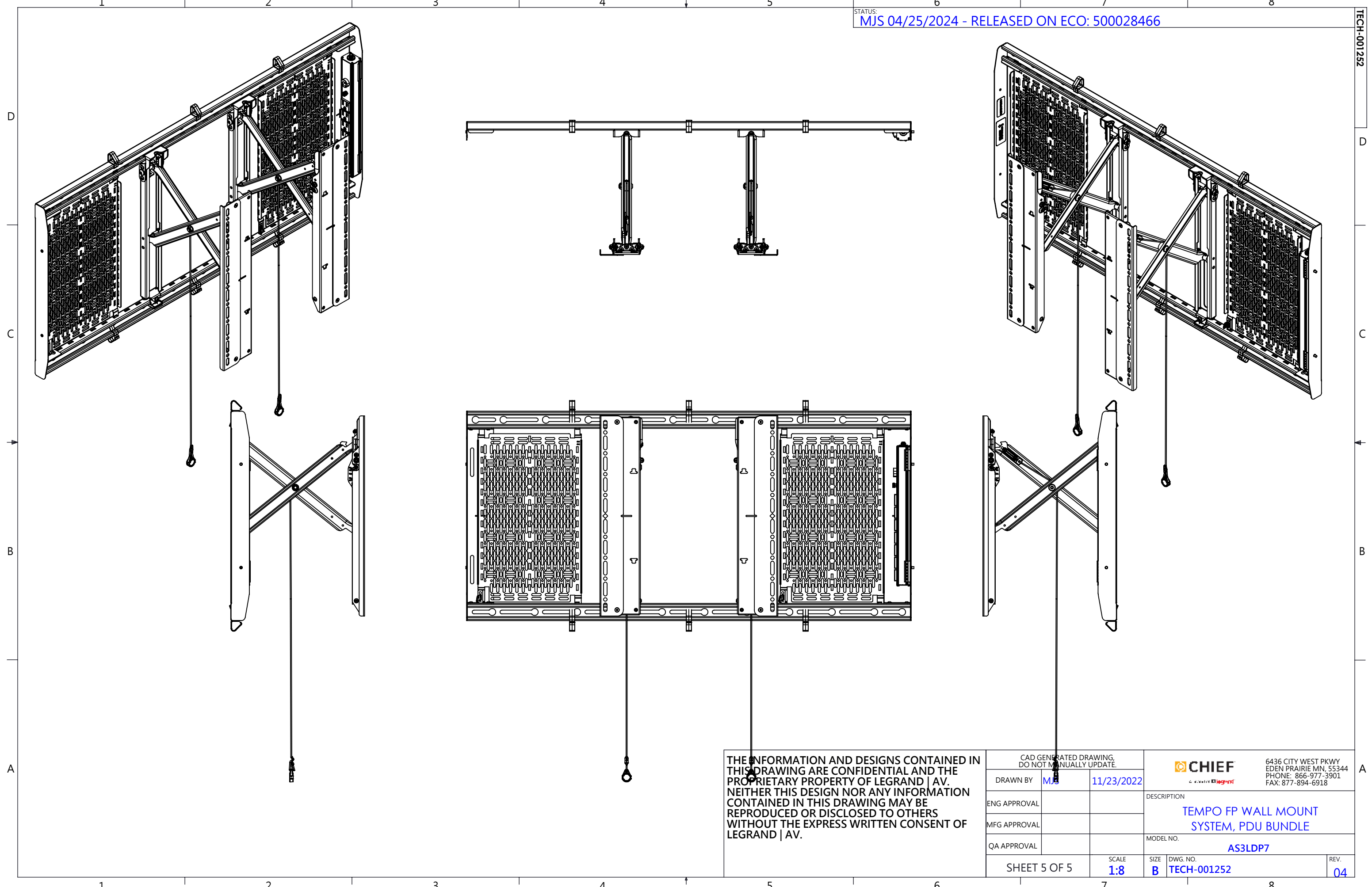
THE INFORMATION AND DESIGNS CONTAINED IN THIS DRAWING ARE CONFIDENTIAL AND THE PROPRIETARY PROPERTY OF LEGRAND | AV. NEITHER THIS DESIGN NOR ANY INFORMATION CONTAINED IN THIS DRAWING MAY BE REPRODUCED OR DISCLOSED TO OTHERS WITHOUT THE EXPRESS WRITTEN CONSENT OF LEGRAND | AV.

CAD GENERATED DRAWING, DO NOT MANUALLY UPDATE.				 6436 CITY WEST PKWY EDEN PRAIRIE, MN, 55344 PHONE: 866-977-3901 FAX: 877-894-6918	
DRAWN BY	MJS	11/23/2022	DESCRIPTION		
ENG APPROVAL			TEMPO FP WALL MOUNT SYSTEM, PDU BUNDLE		
MFG APPROVAL			MODEL NO.		
QA APPROVAL			AS3LDP7		
SHEET 3 OF 5		SCALE	SIZE	DWG. NO.	REV.
		1:8	B	TECH-001252	04




THE INFORMATION AND DESIGNS CONTAINED IN THIS DRAWING ARE CONFIDENTIAL AND THE PROPRIETARY PROPERTY OF LEGRAND | AV. NEITHER THIS DESIGN NOR ANY INFORMATION CONTAINED IN THIS DRAWING MAY BE REPRODUCED OR DISCLOSED TO OTHERS WITHOUT THE EXPRESS WRITTEN CONSENT OF LEGRAND | AV.

CAD GENERATED DRAWING, DO NOT MANUALLY UPDATE.			 6436 CITY WEST PKWY EDEN PRAIRIE, MN, 55344 PHONE: 866-977-3901 FAX: 877-894-6918		
DRAWN BY	MJS	11/23/2022	DESCRIPTION		
ENG APPROVAL			TEMPO FP WALL MOUNT SYSTEM, PDU BUNDLE		
MFG APPROVAL			MODEL NO.		
QA APPROVAL			AS3LDP7		
SHEET 4 OF 5		SCALE	SIZE	DWG. NO.	REV.
		1:8	B	TECH-001252	04



THE INFORMATION AND DESIGNS CONTAINED IN THIS DRAWING ARE CONFIDENTIAL AND THE PROPRIETARY PROPERTY OF LEGRAND | AV. NEITHER THIS DESIGN NOR ANY INFORMATION CONTAINED IN THIS DRAWING MAY BE REPRODUCED OR DISCLOSED TO OTHERS WITHOUT THE EXPRESS WRITTEN CONSENT OF LEGRAND | AV.

CAD GENERATED DRAWING, DO NOT MANUALLY UPDATE.		 6436 CITY WEST PKWY EDEN PRAIRIE, MN, 55344 PHONE: 866-977-3901 FAX: 877-894-6918	
DRAWN BY	MJS	11/23/2022	DESCRIPTION
ENG APPROVAL			TEMPO FP WALL MOUNT SYSTEM, PDU BUNDLE
MFG APPROVAL			MODEL NO.
QA APPROVAL			AS3LDP7
SHEET 5 OF 5		SCALE	SIZE
		1:8	B
		DWG. NO.	REV.
		TECH-001252	04