



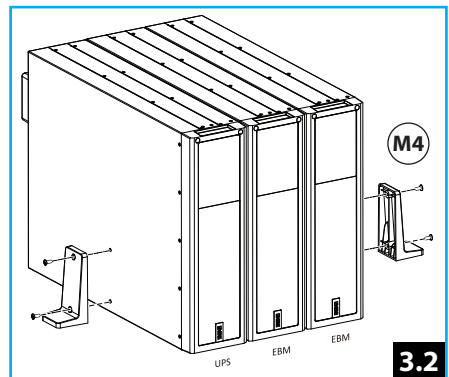
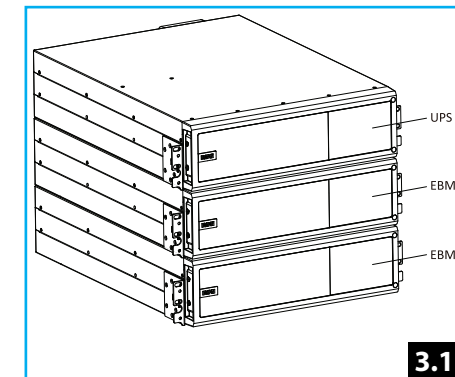
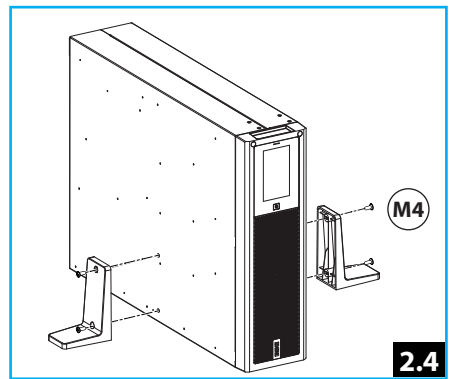
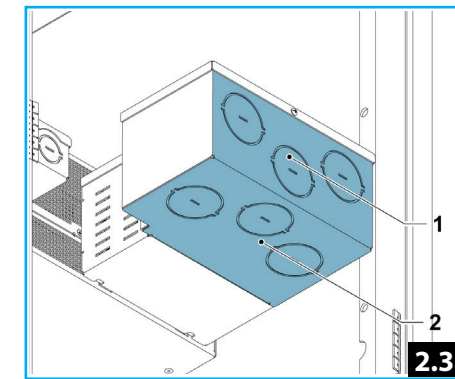
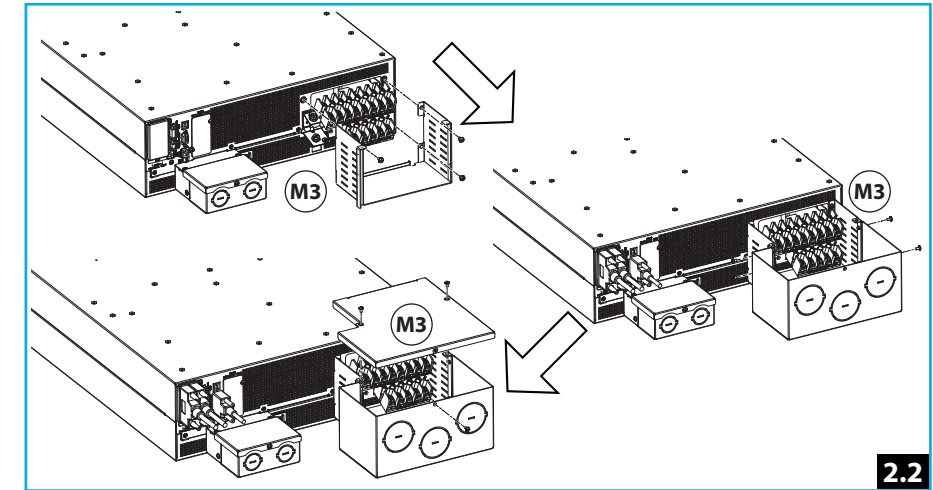
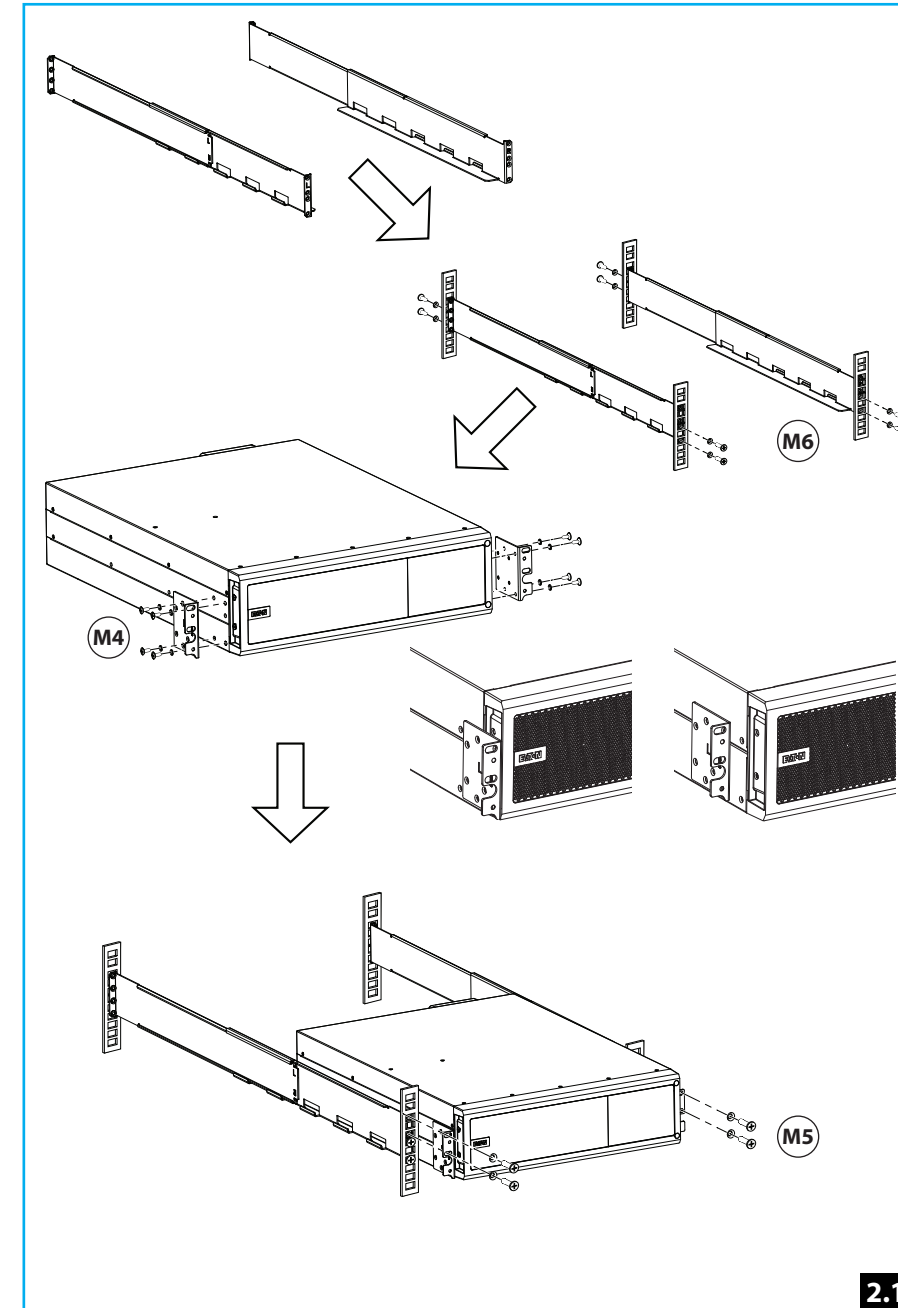
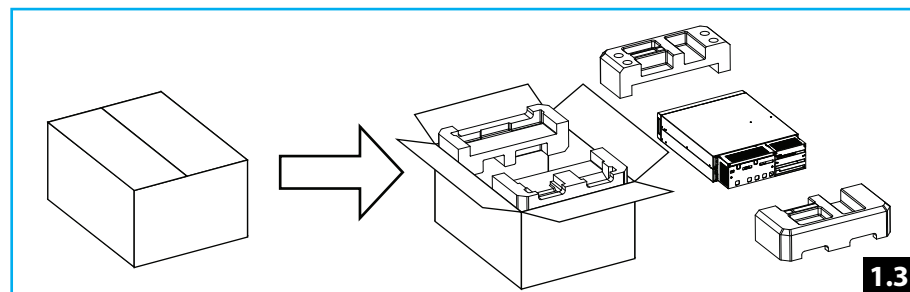
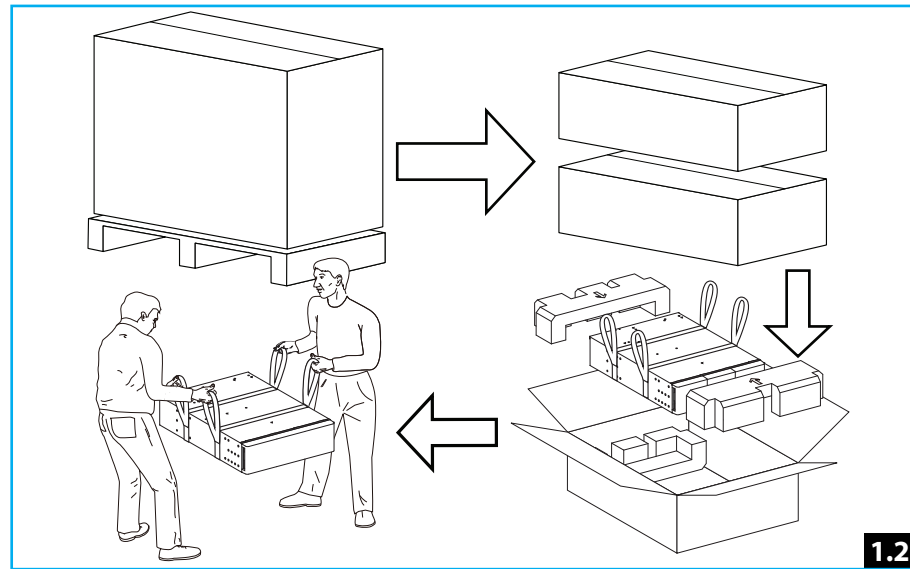
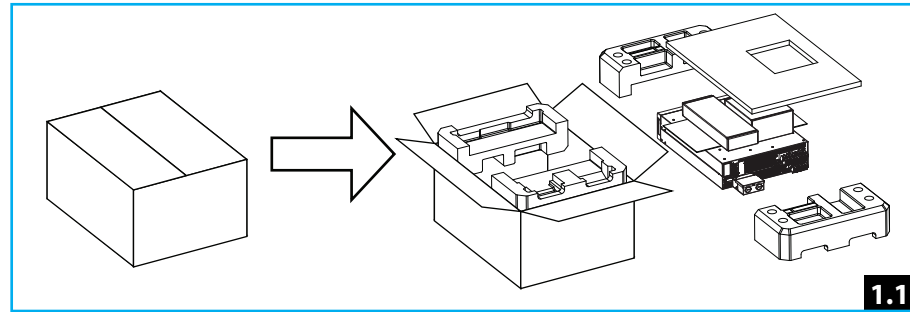
SAFETY AND INSTALLATION QUICK GUIDE

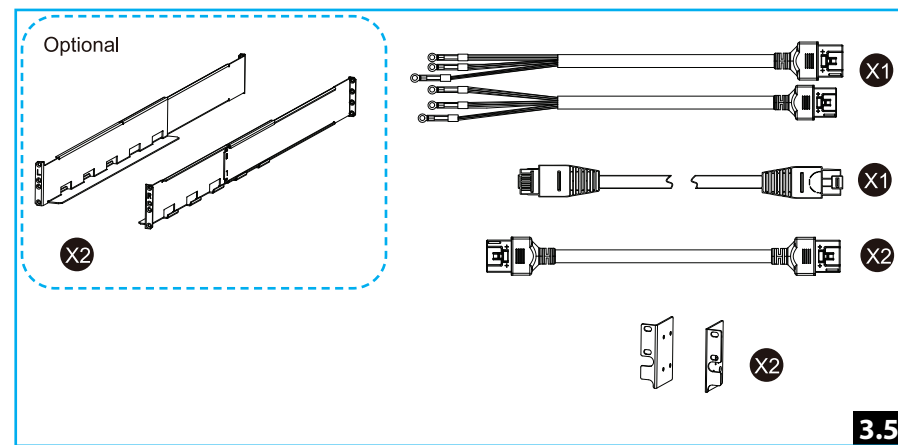
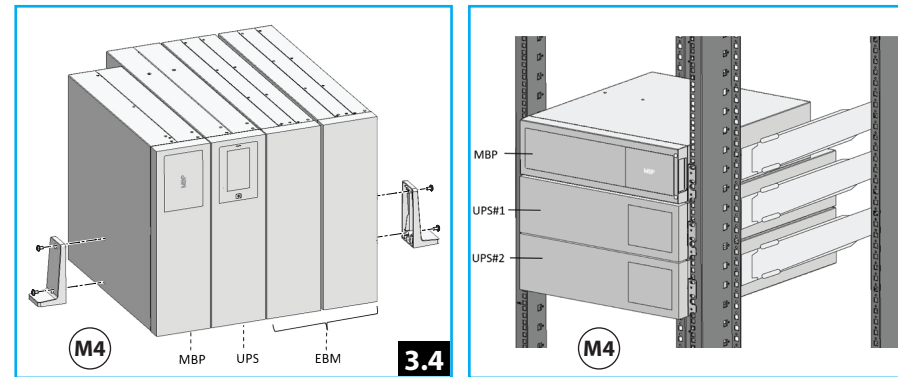
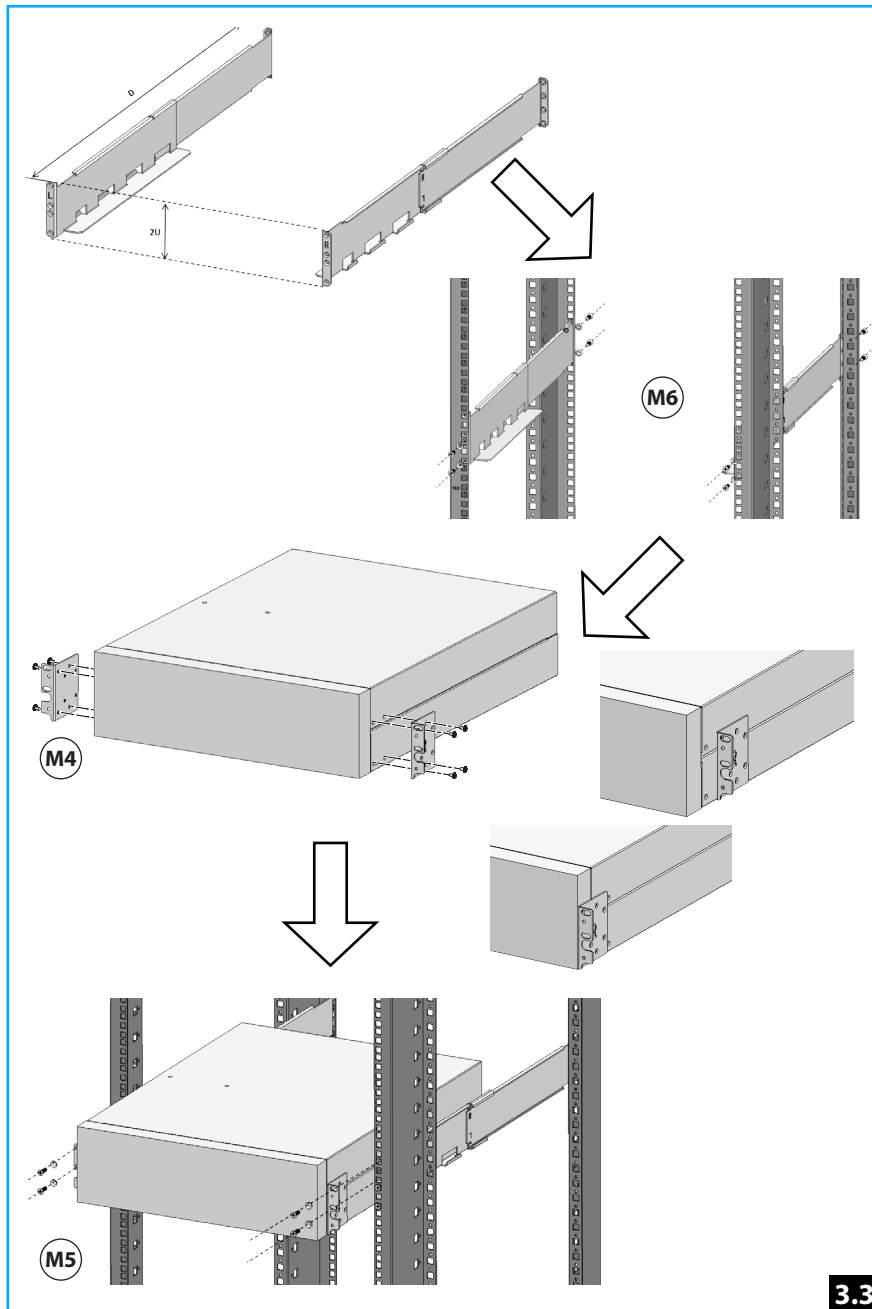
DOWNLOAD FULL USER'S AND INSTALLATION GUIDE AT WWW.EATON.COM/93PX-USER-GUIDE

DOWNLOAD THE END-USER LICENSE AGREEMENT AT WWW.EATON.COM/93PX-EULA

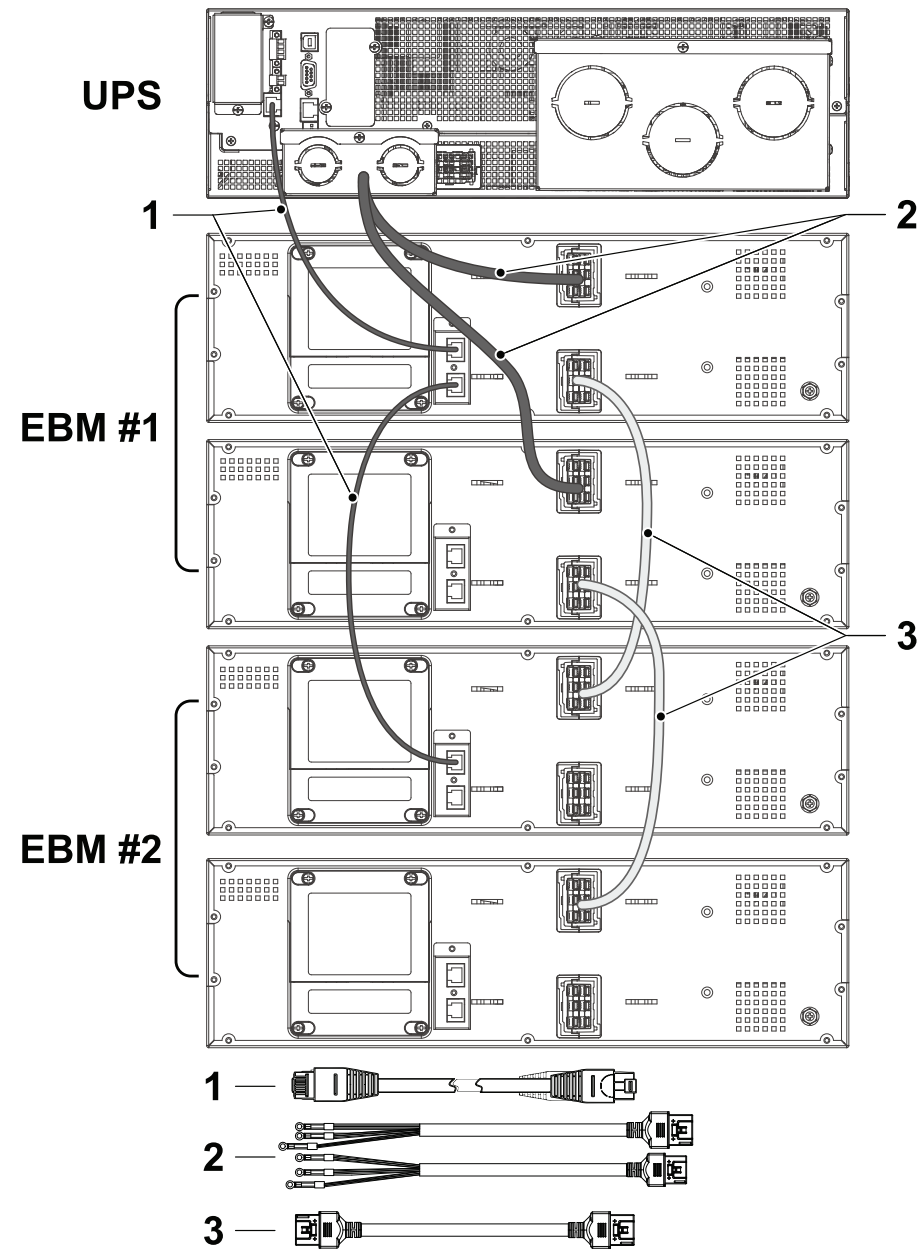
Eaton 93PX UPS/EBM/MBP
15-20 kVA

614-21364
Rev. 01





Screw type	Tightening torque (Nm)
M3	0.8
M4	1.6
M5	3.0
M6	5.0



DANGER
Operations inside the UPS must be done by an authorized Eaton Customer Service Engineer or by qualified service personnel authorized by Eaton. There are no user-serviceable parts inside the UPS.



DANGER
This UPS carries lethal voltages. All repairs and service must be done by authorized personnel only. There are no user-serviceable parts inside the UPS.



WARNING
The UPS is powered by its own energy source (batteries). The output terminals could be energized even when the UPS is disconnected from an AC source. To reduce the risk of fire or electric shock, install the UPS in a temperature and humidity controlled, indoor environment that is free of conductive contaminants. See temperature and humidity limits in chapter *Technical data* in *Eaton 93PX UPS/EBM/MBP User's and Installation Guide*.

The ambient temperature limit must not be exceeded. Do not operate the UPS near water or excessive humidity. The system is not intended for outdoor use.

Before you start any installation or service work, make sure that all AC and DC power sources are disconnected. Power can come from multiple sources. Also ensure system grounding / PE continuity.

In a parallel system, the output terminals could be energized even when the UPS is turned off.



CAUTION
Keep the surroundings of the UPS uncluttered, clean, and free from excess moisture and conductive particles.

Obey all DANGER, CAUTION, and WARNING notices affixed to the equipment.



CAUTION
Read this document and *Eaton 93PX UPS/EBM/MBP User's and Installation Guide* before you start to operate or do work on the UPS.

NOTE: For the MBP and parallel system connections, refer to *Eaton 93PX UPS/EBM/MBP User's and Installation Guide*.